



US00D410310S

United States Patent [19] Haley et al.

[11] Patent Number: **Des. 410,310**

[45] Date of Patent: **** May 25, 1999**

[54] **MOP WRINGER**

[75] Inventors: **Vincent L. Haley**, Orrville; **Neal K. Jacobs**, Wooster, both of Ohio

[73] Assignee: **Rubbermaid Incorporated**, Wooster, Ohio

[**] Term: **14 Years**

[21] Appl. No.: **29/088,421**

[22] Filed: **May 22, 1998**

[51] **LOC (6) Cl.** **07-07**

[52] **U.S. Cl.** **D32/54**

[58] **Field of Search** D32/53, 54; 15/260, 15/262, 264, 263

[56] **References Cited**

U.S. PATENT DOCUMENTS

D. 218,778	9/1970	Gunfaus	D32/54
D. 344,379	2/1994	Clark, Jr.	D32/53
D. 345,236	3/1994	Chen	D32/53
1,952,824	3/1934	Schulman	15/260
4,735,332	4/1988	Thumser	220/85 R
5,414,892	5/1995	Clark, Jr.	15/263

OTHER PUBLICATIONS

Catalog Page, "Curver Brushware", Curver B.V. Edisonstraat 8, 5051 DS, Goirle, The Netherlands, (1997).

Catalog Pages, "Heavy Duty Double Pail", 2 pages, Hamelin Enterprises, 150 boul. Industries, Boucherville (QC) Canada J4B 2X3, (undated).

Primary Examiner—Susan J. Lucas
Assistant Examiner—Cynthia E. Ramirez
Attorney, Agent, or Firm—Renner, Kenner, Greive, Bobak, Taylor & Weber

[57] **CLAIM**

The ornamental design for a mop wringer, as shown and described.

DESCRIPTION

FIG. 1 is a perspective view of a mop wringer showing our new design;

FIG. 2 is a top plan view thereof;

FIG. 3 is a side elevational view thereof taken along line 3—3 of FIG. 2;

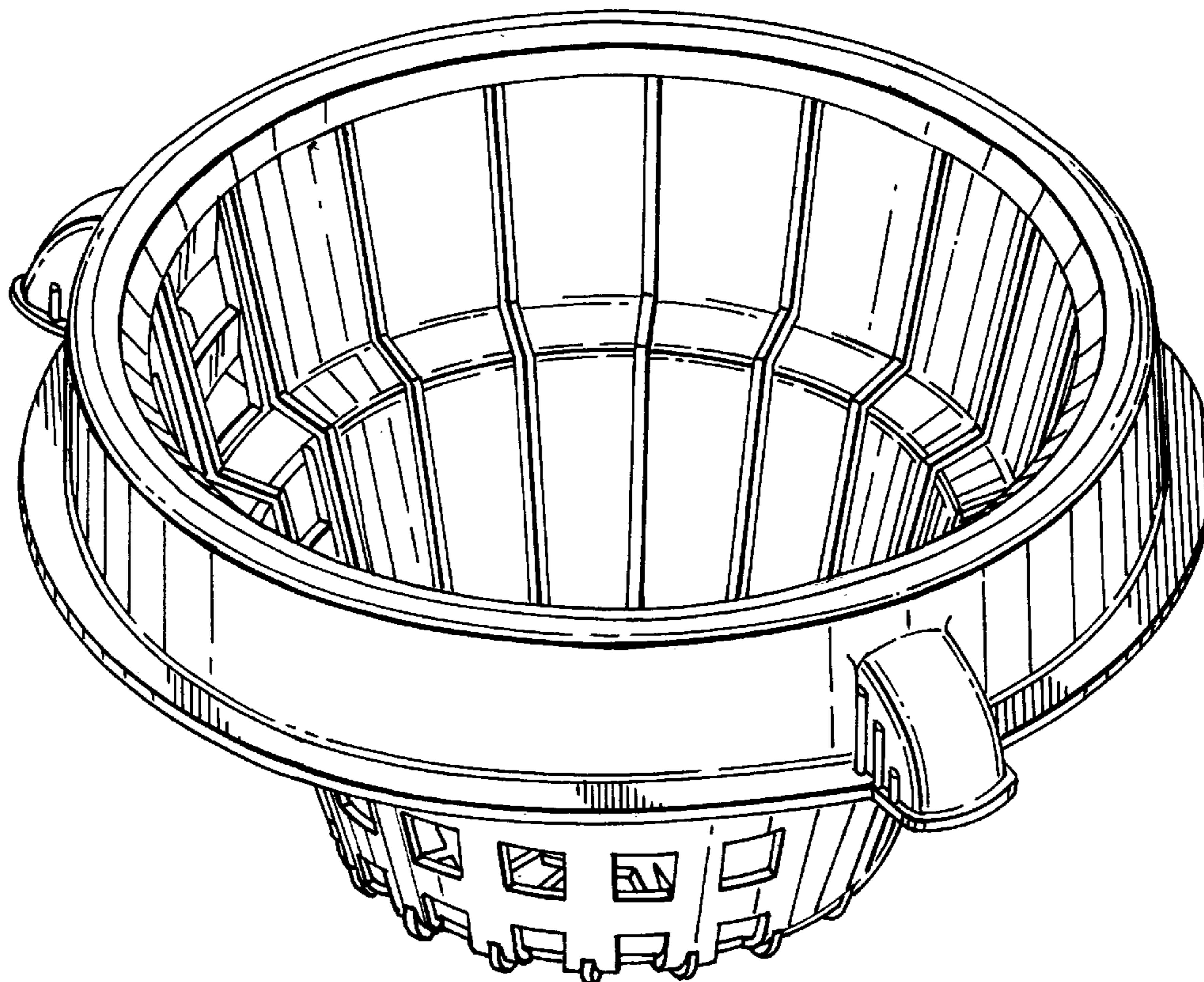
FIG. 4 is a side elevational view thereof taken along line 4—4 of FIG. 2;

FIG. 5 is a side elevational view thereof taken along line 5—5 of FIG. 2;

FIG. 6 is a side elevational view thereof taken along line 6—6 of FIG. 2; and,

FIG. 7 is a bottom plan view thereof.

1 Claim, 6 Drawing Sheets



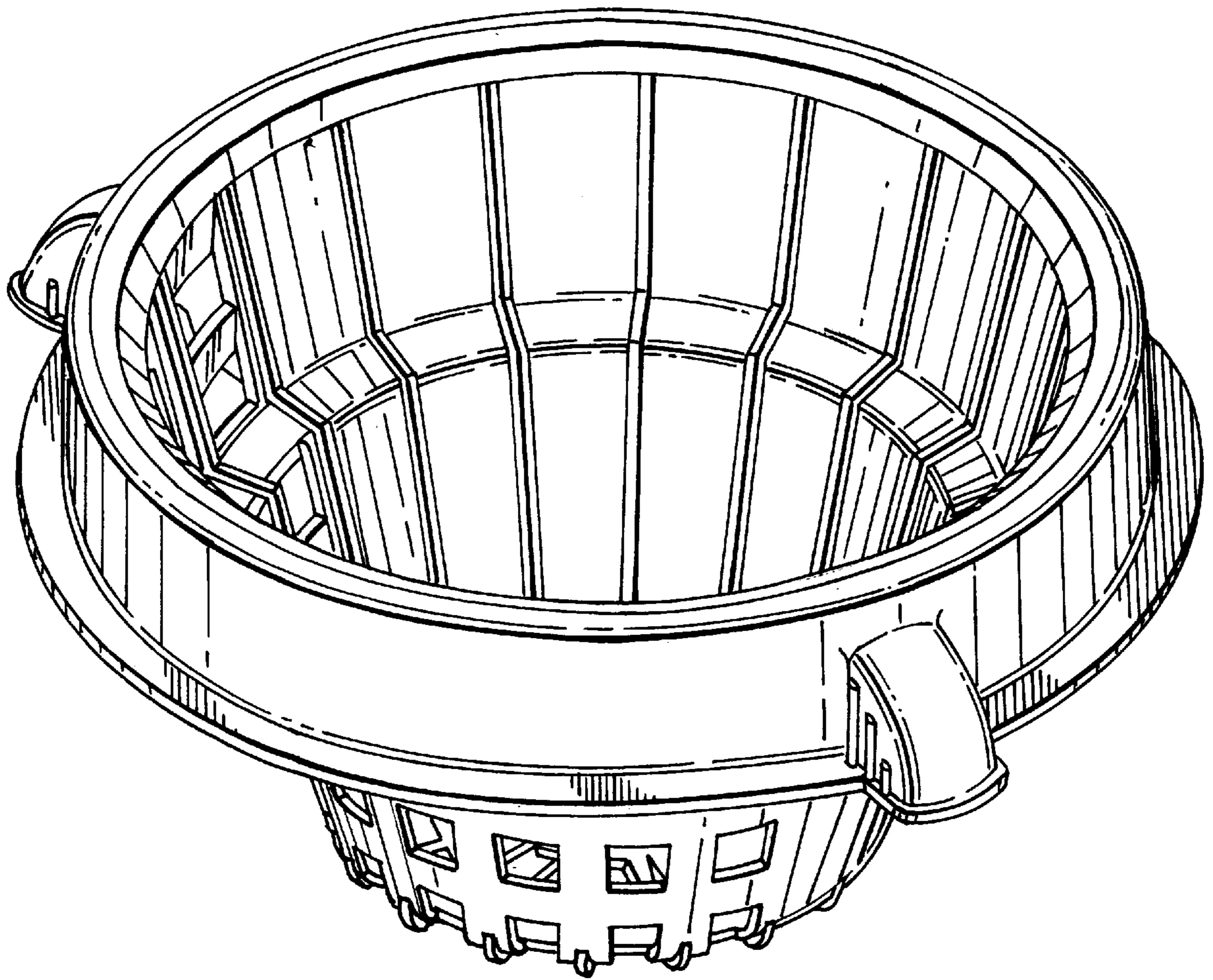
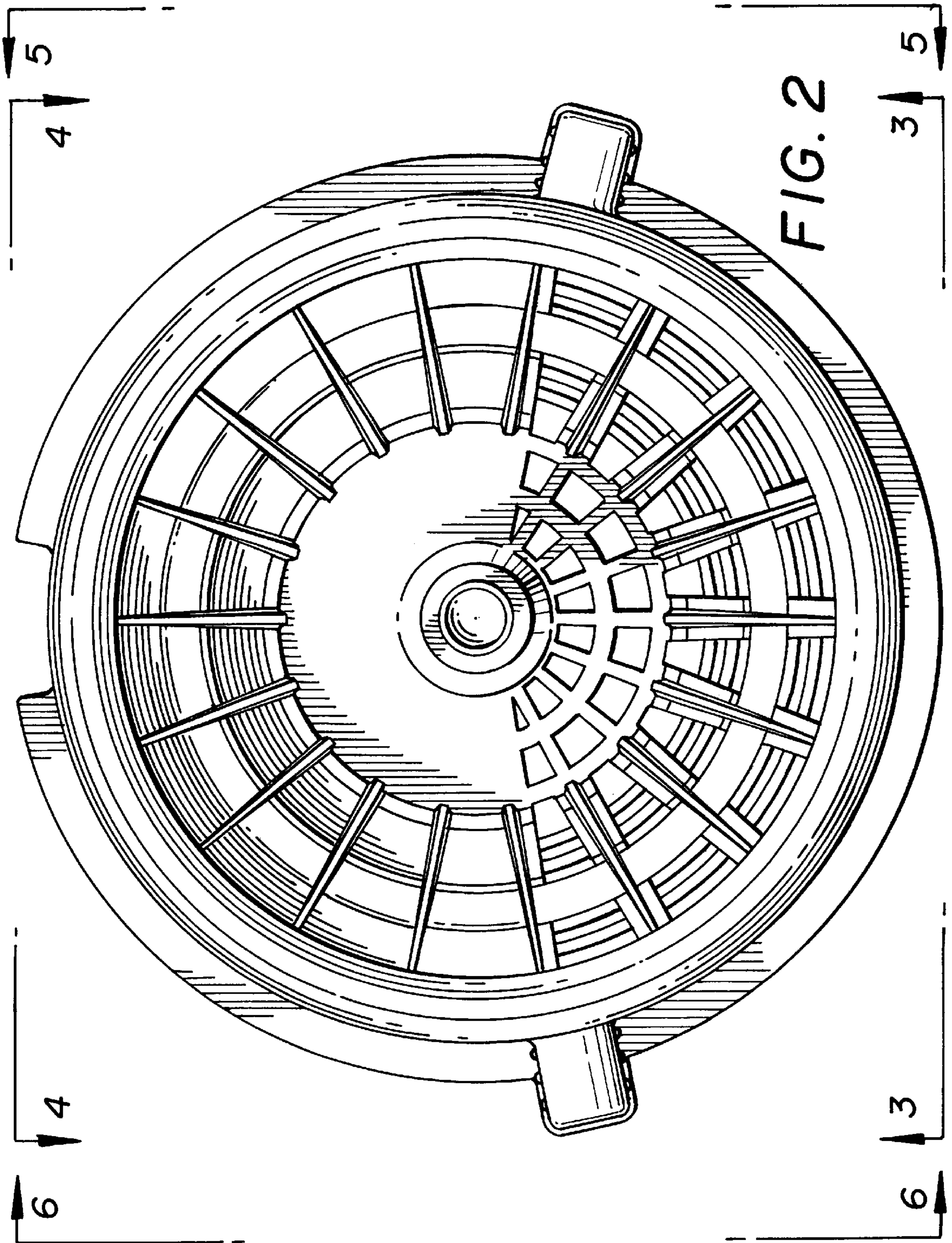


FIG. 1



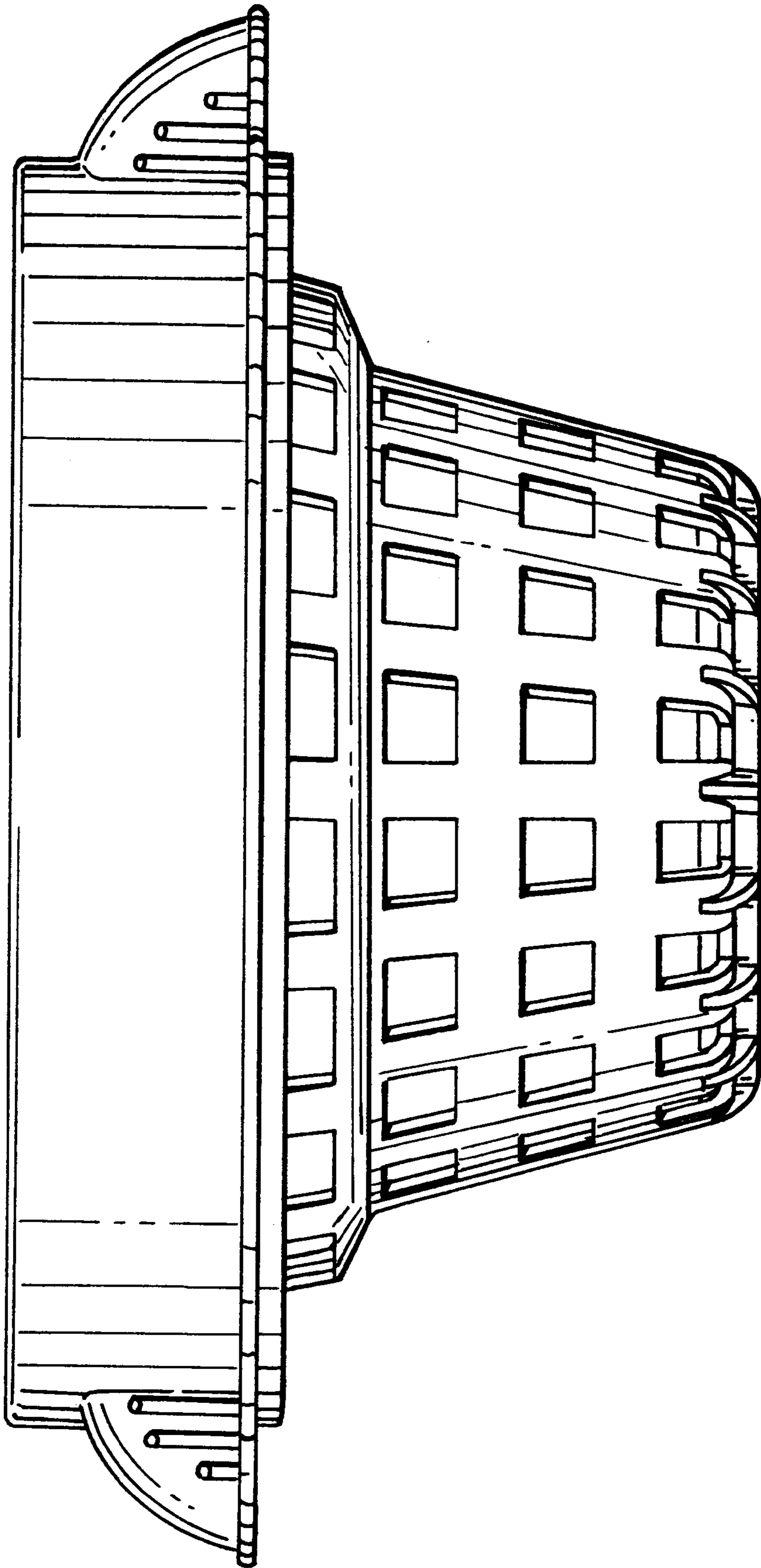


FIG. 3

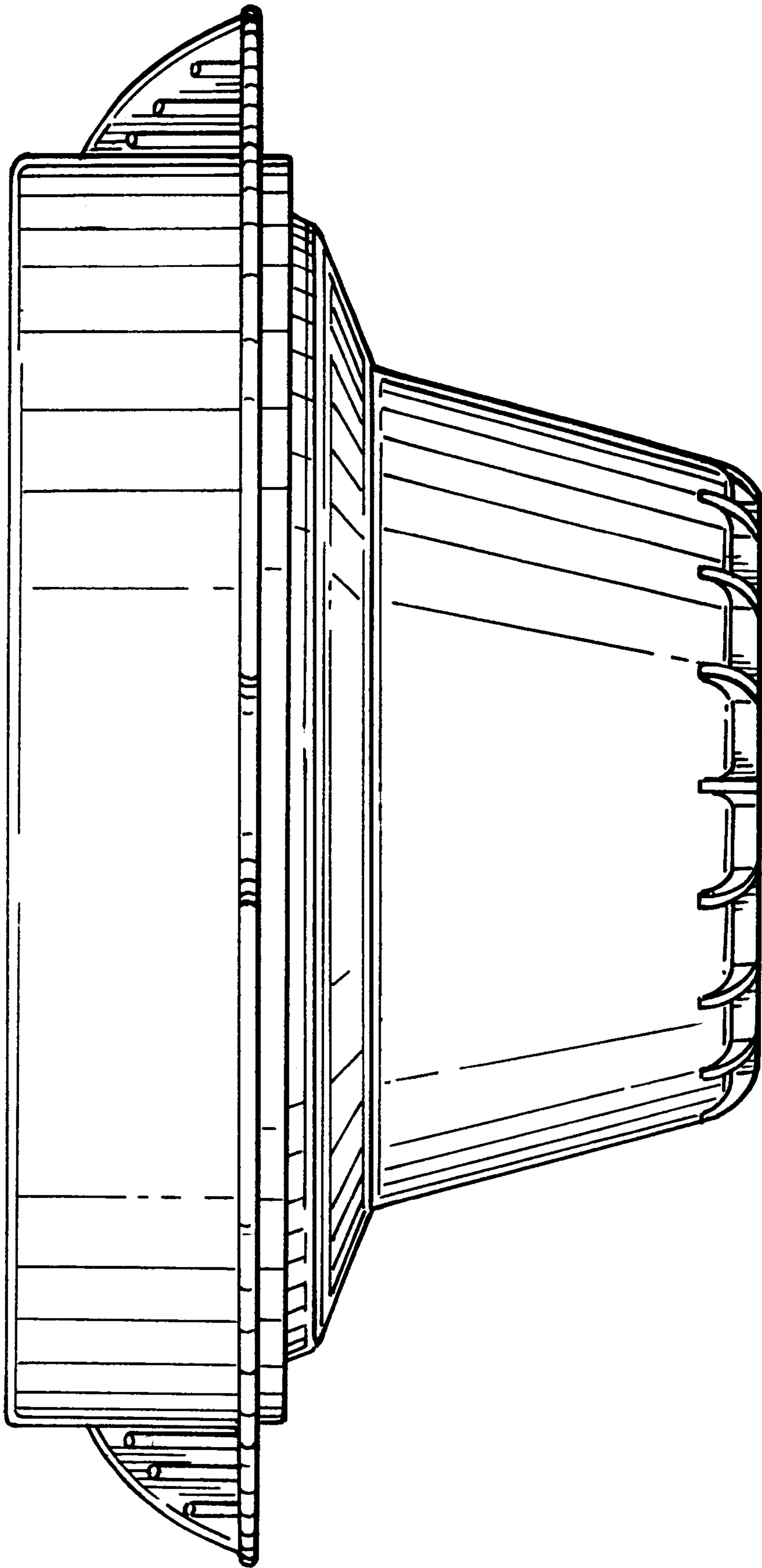


FIG. 4

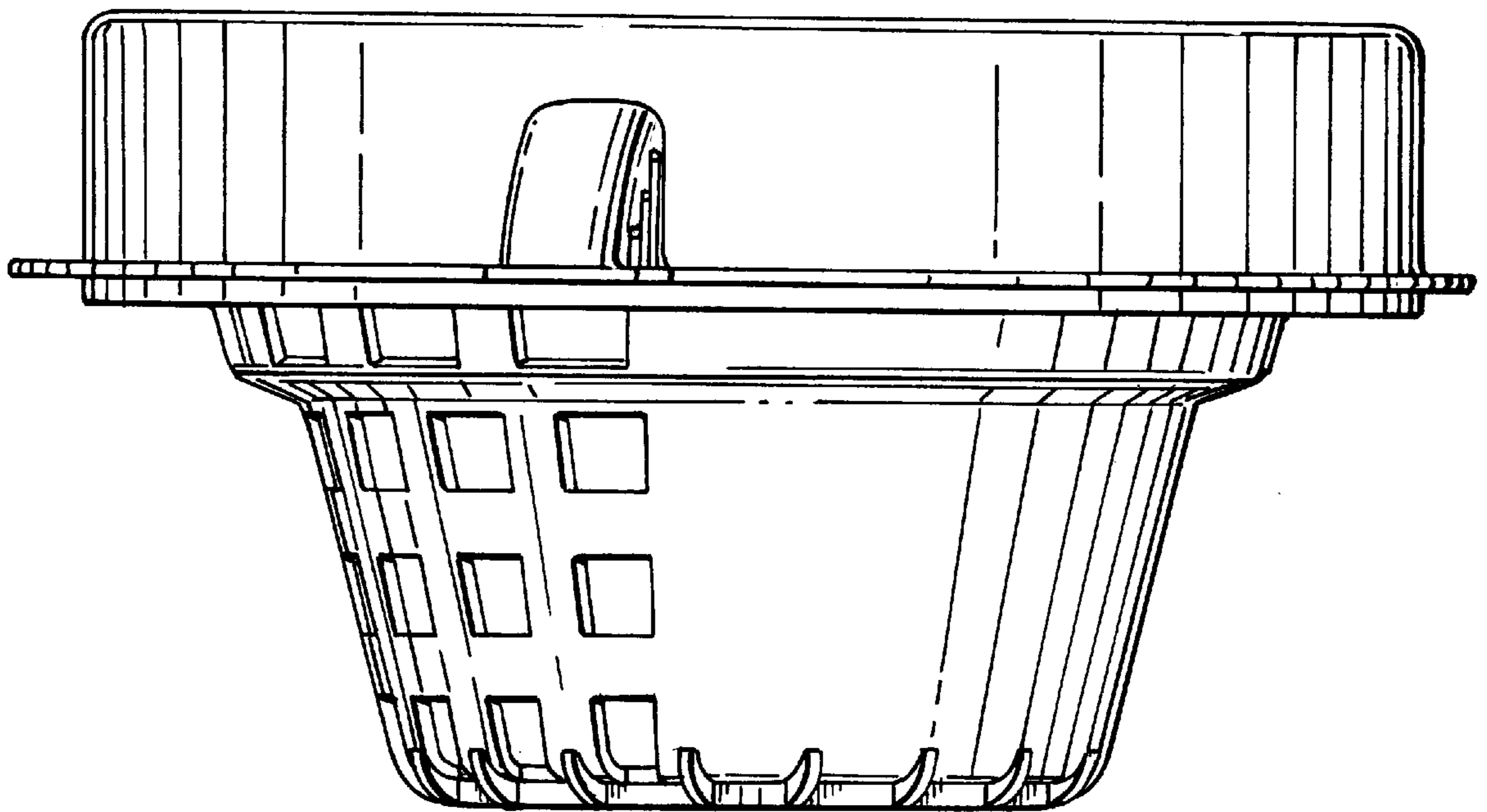


FIG. 5

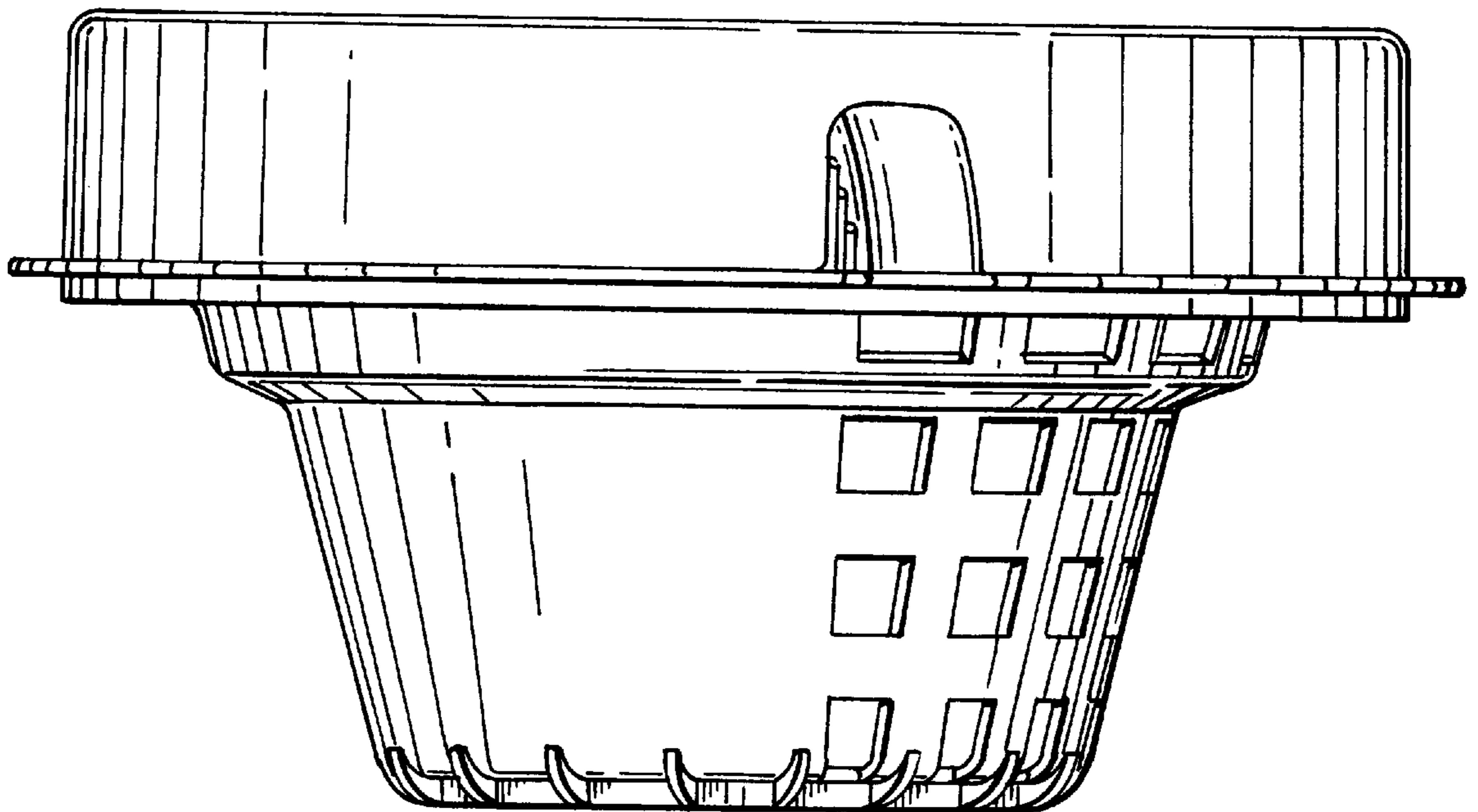


FIG. 6

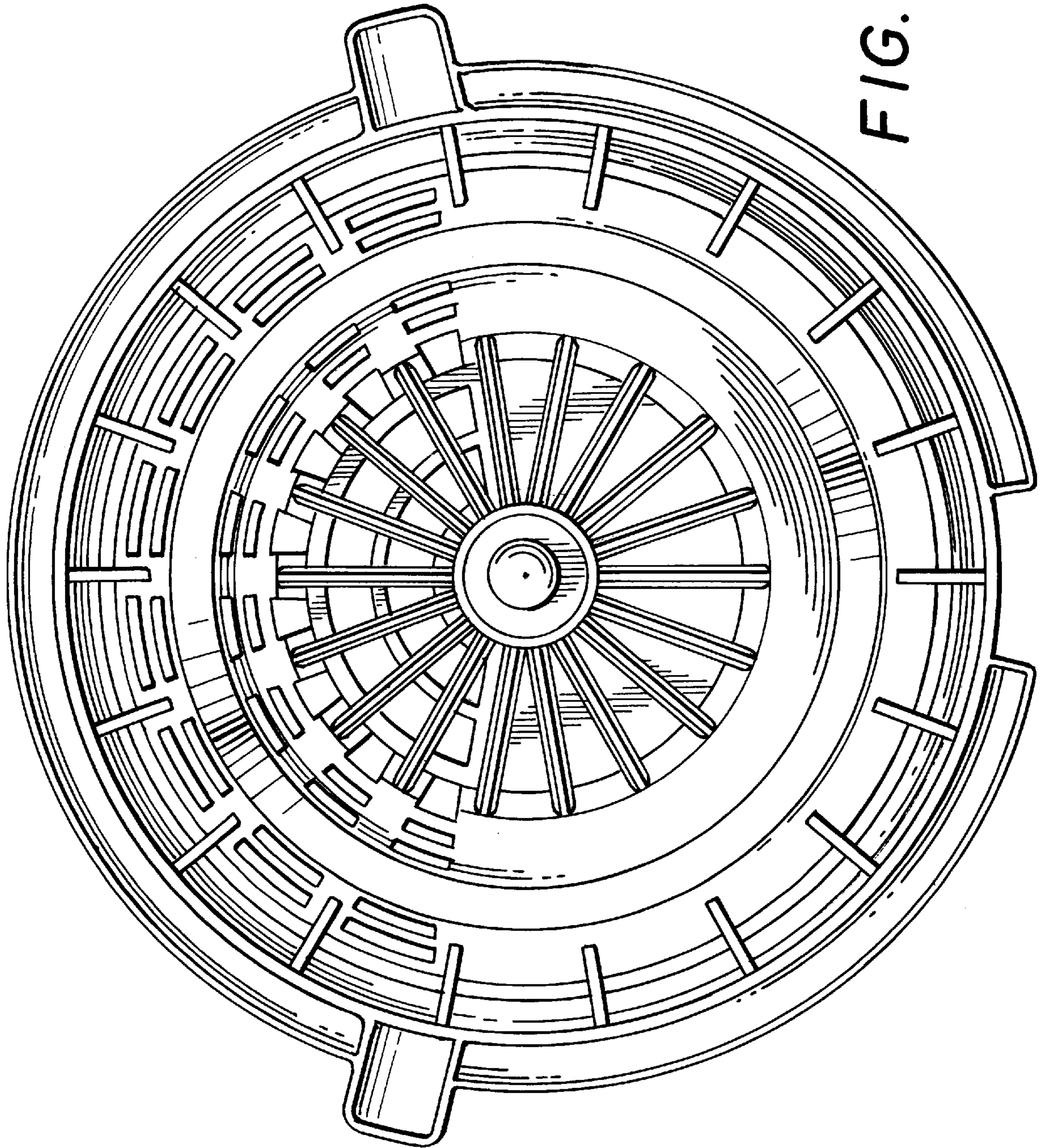


FIG. 7