



US00D410303S

United States Patent [19]
Hawkinson

[11] **Patent Number: Des. 410,303**

[45] **Date of Patent: ** May 25, 1999**

[54] **HIGHCHAIR RESTRAINT**

4,860,560 8/1989 Lundelius D29/101
5,063,879 11/1991 Vorbau D29/100

[76] Inventor: **LaDema J. Hawkinson**, 30075 Karmel Ave., Chisago City, Minn. 55013

Primary Examiner—Ruth McInroy

[**] Term: **14 Years**

[57] **CLAIM**

[21] Appl. No.: **29/061,466**

The ornamental design for a highchair restraint, as shown and described.

[22] Filed: **Oct. 24, 1996**

DESCRIPTION

[51] **LOC (6) Cl.** **29-02**

FIG. 1 is a front view of a highchair restraint showing my new design;

[52] **U.S. Cl.** **D29/101**

FIG. 2 is a rear view thereof;

[58] **Field of Search** D29/100, 101, D29/122; D24/190; 2/2.5, 2.11, 2.14, 2.15, 44, 45, 455-459, 461-468; 297/465, 484, 486-487; 280/290

FIG. 3 is a right side view thereof;

FIG. 4 is a left side view thereof;

FIG. 5 is a top view thereof; and

FIG. 6 is a bottom view thereof; and,

FIG. 7 is a front view of the assembled highchair restraint of FIG. 1.

[56] **References Cited**

The crosshatch shading shown in all views is understood to repeat throughout the indicated area.

U.S. PATENT DOCUMENTS

D. 309,359 7/1990 Joachim D29/101
D. 343,257 1/1994 DiFloria et al. D29/101
1,310,958 7/1919 O'Connor D29/101

1 Claim, 5 Drawing Sheets

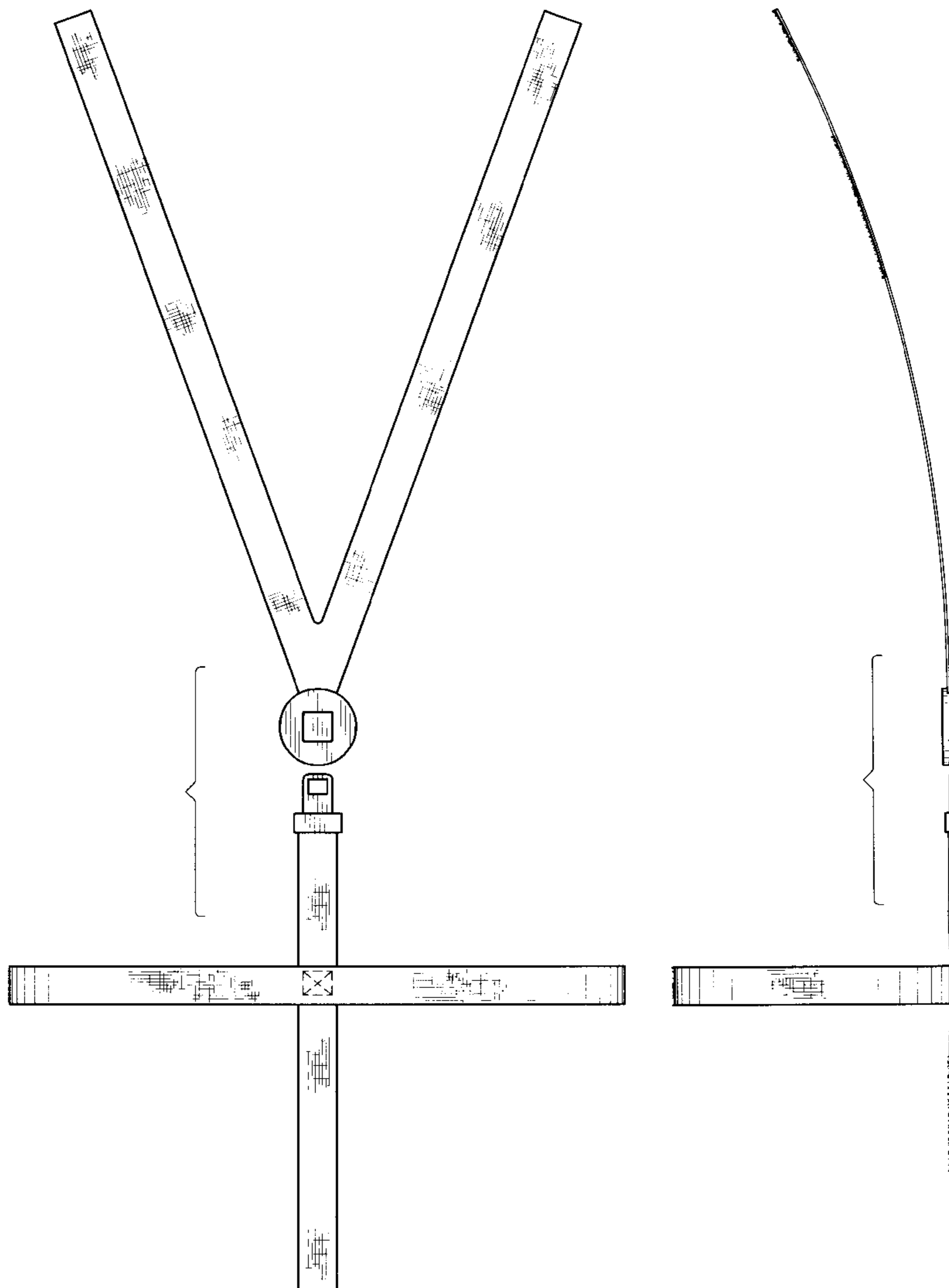


FIG. 1

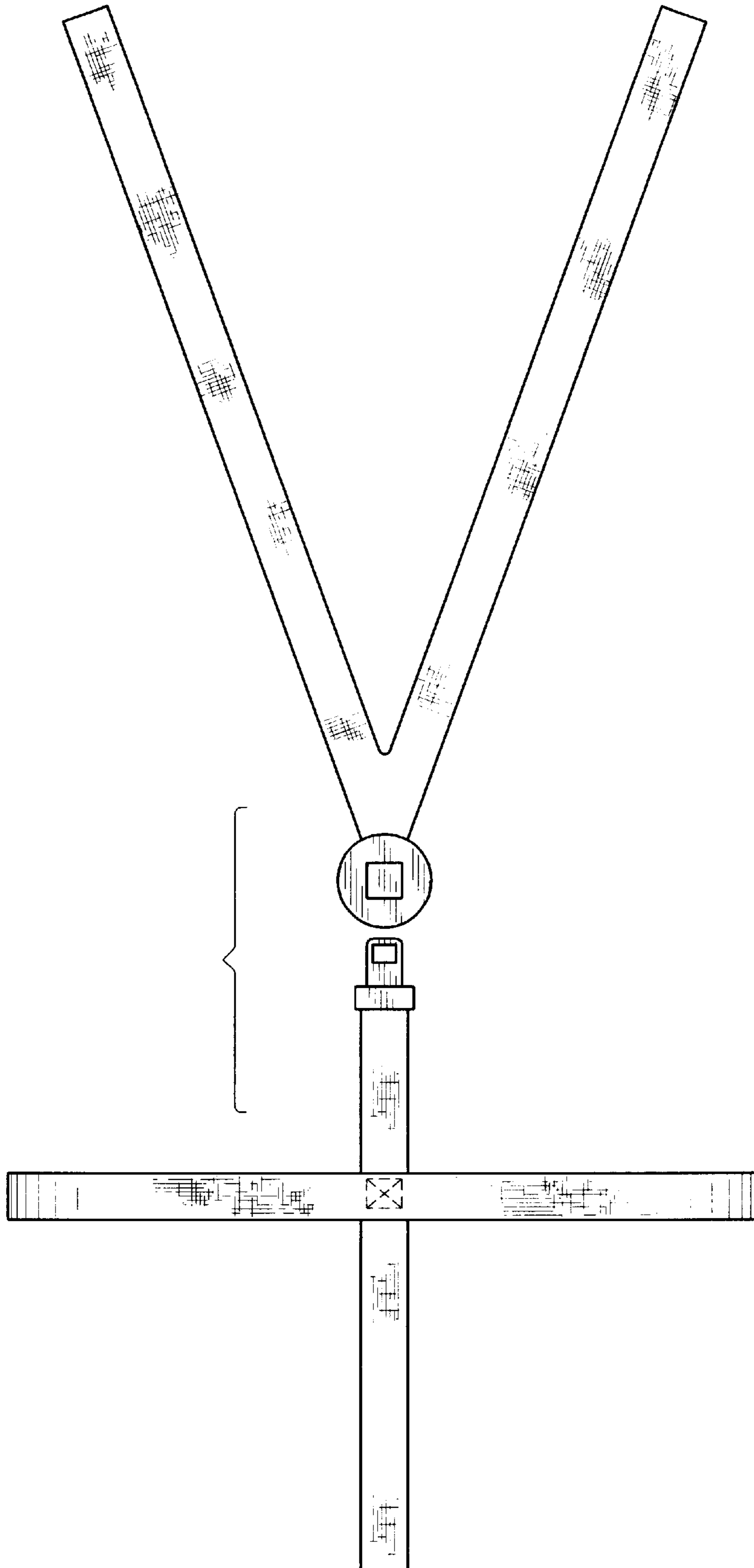


FIG. 2

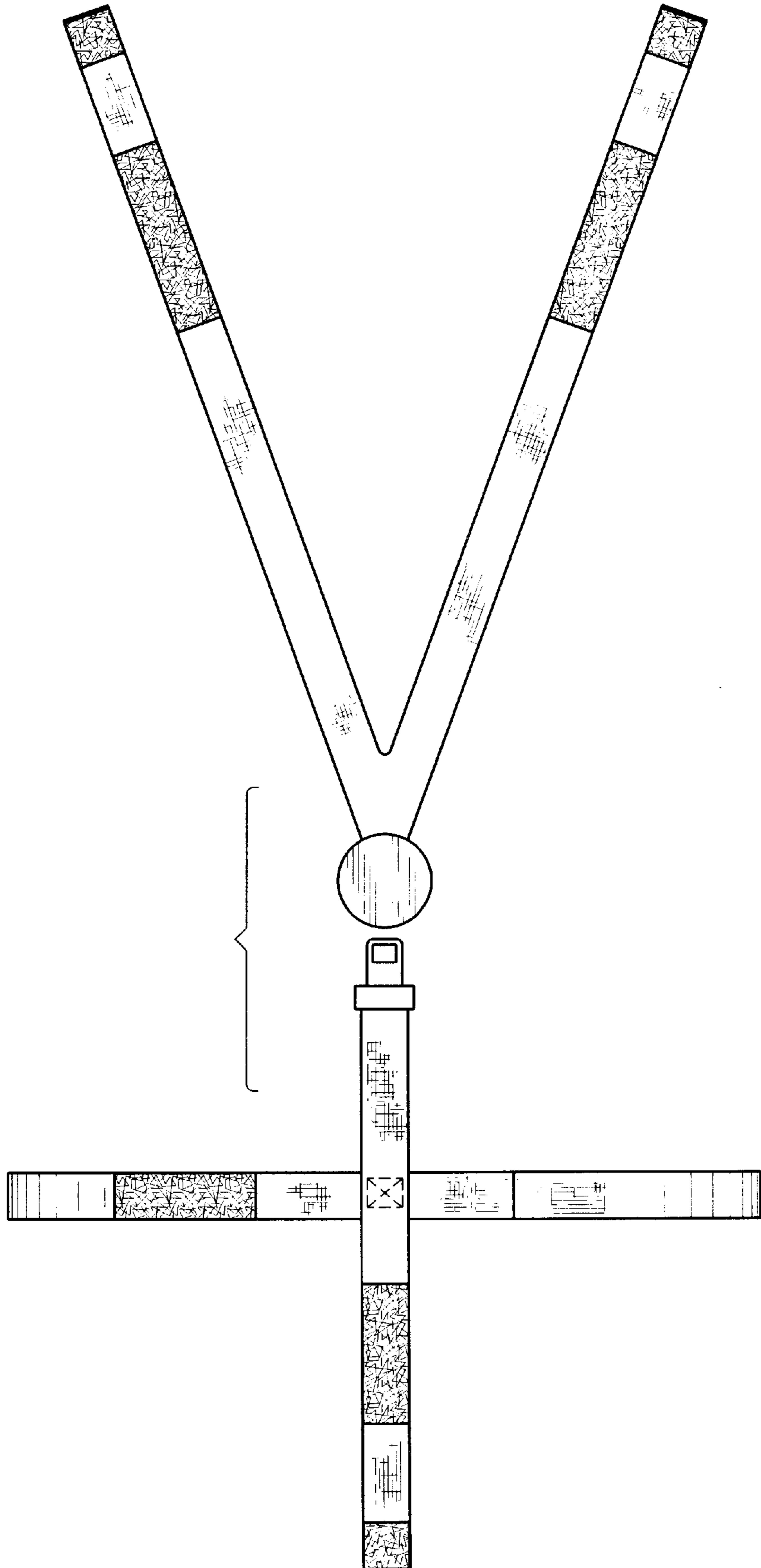


FIG. 3

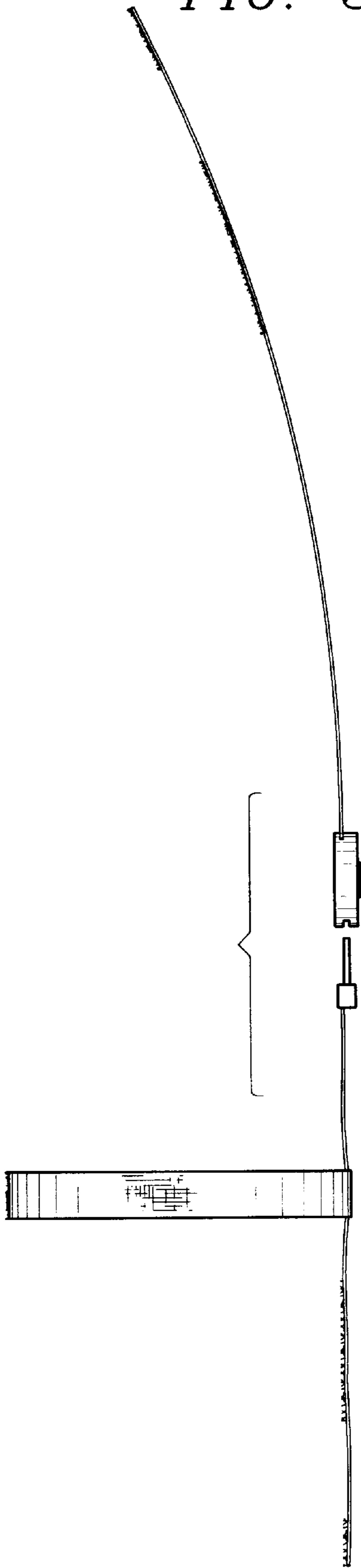


FIG. 4

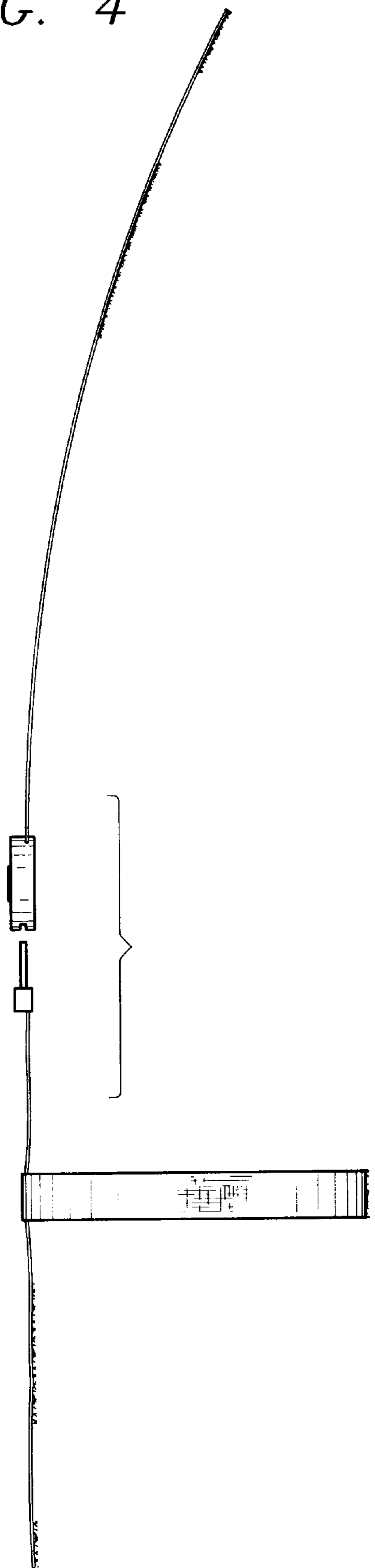


FIG. 5

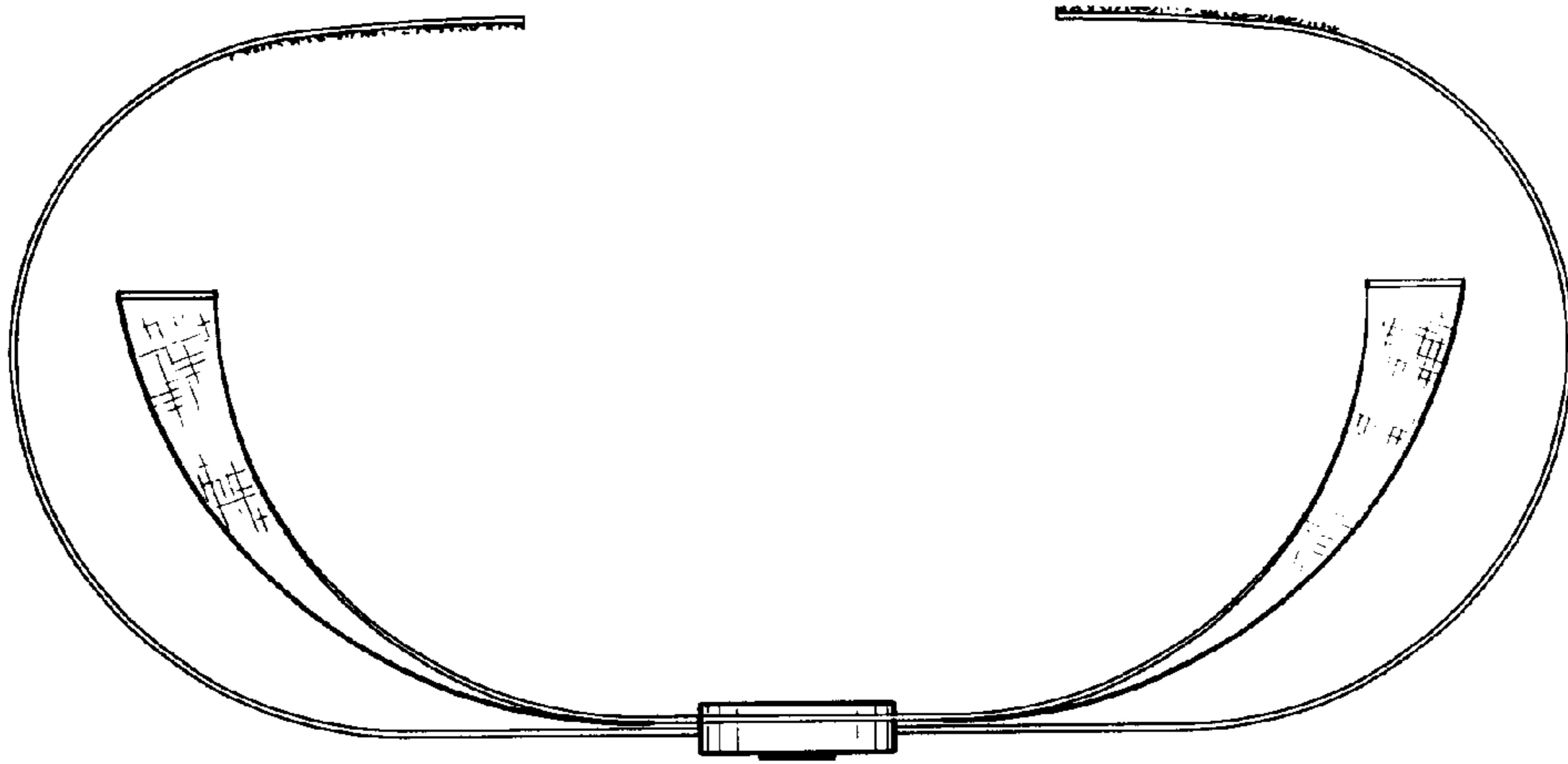


FIG. 6

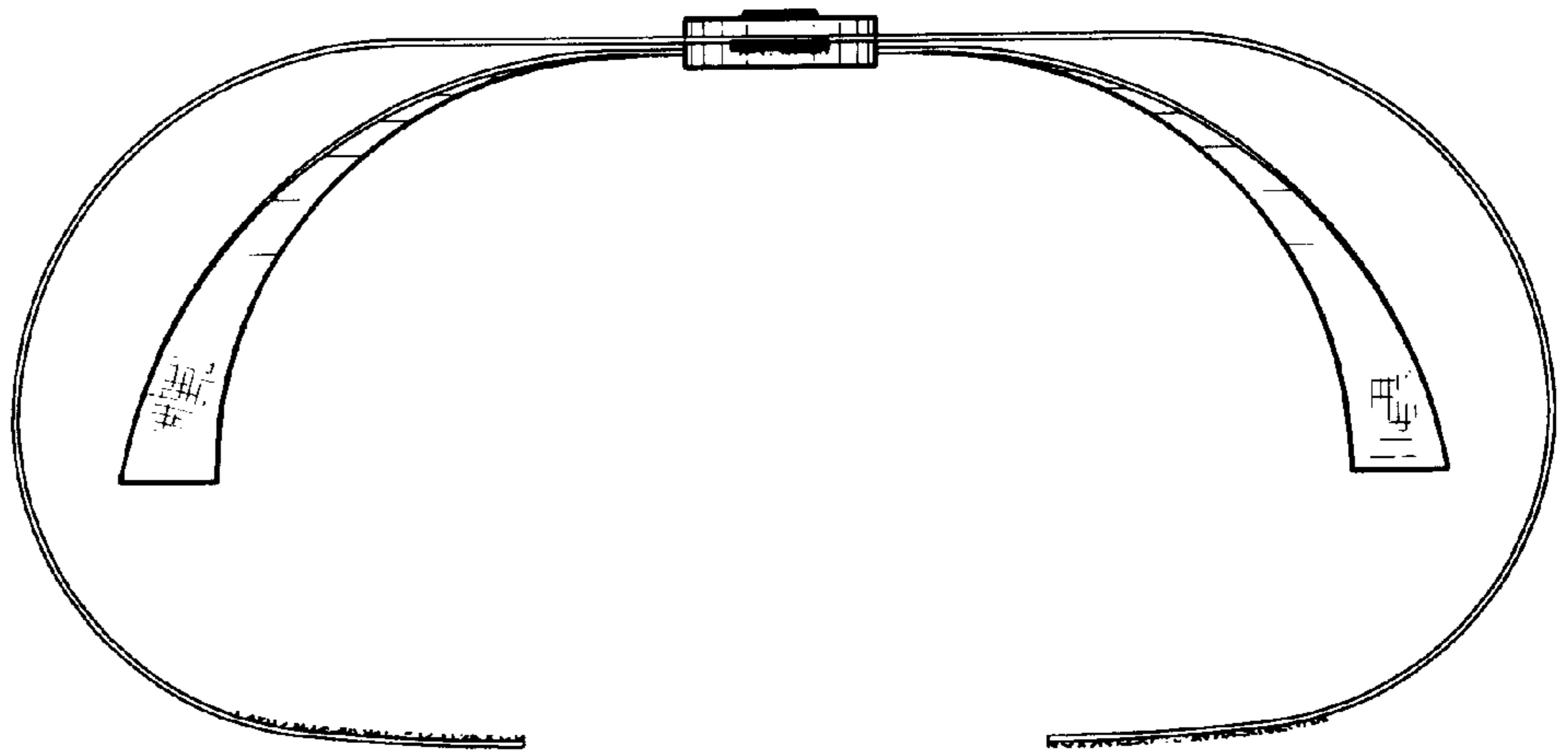


FIG. 7

