



US00D410291S

United States Patent [19]
Ito

[11] **Patent Number: Des. 410,291**

[45] **Date of Patent: ** May 25, 1999**

[54] **SOUNDPROOF WALL UNIT**

[75] Inventor: **Shinzo Ito**, Tokyo, Japan

[73] Assignee: **Sanken Steel Co., Ltd.**, Tokyo, Japan

[**] Term: **14 Years**

[21] Appl. No.: **29/073,339**

[22] Filed: **Jul. 7, 1997**

[51] **LOC (6) Cl.** **25-01**

[52] **U.S. Cl.** **D25/156**

[58] **Field of Search** D25/138, 58, 152,
D25/156; 52/787.11, 791.1, 789.1, 784.14;
404/6, 9; 256/13.1; 405/284, 286

[56] **References Cited**

U.S. PATENT DOCUMENTS

D. 233,832 12/1974 Becker D25/156

OTHER PUBLICATIONS

Forms and Surfaces catalog, ceiling section, p. 13, center of page, left side of illustration, first full tile illustration. Also note lower right side of p. 13, illustration labeled "perforated circles", copyright 1986.

Primary Examiner—Doris Clark
Attorney, Agent, or Firm—Armstrong, Westerman, Hattori, McLeland & Naughton

[57] **CLAIM**

The ornamental design for a soundproof wall unit, as shown.

DESCRIPTION

FIG. 1 is a front view of a soundproof wall unit showing the design;

FIG. 2 is a rear view of a soundproof wall unit showing the design;

FIG. 3 is a top plan view of a soundproof wall unit showing the design;

FIG. 4 is a right side view of a soundproof wall unit showing the design;

FIG. 5 is a cross sectional view along the line 5—5 in FIG. 1 of the soundproof wall unit showing the design; and,

FIG. 6 is a perspective view from above and front side of the soundproof wall unit showing the design.

1 Claim, 3 Drawing Sheets

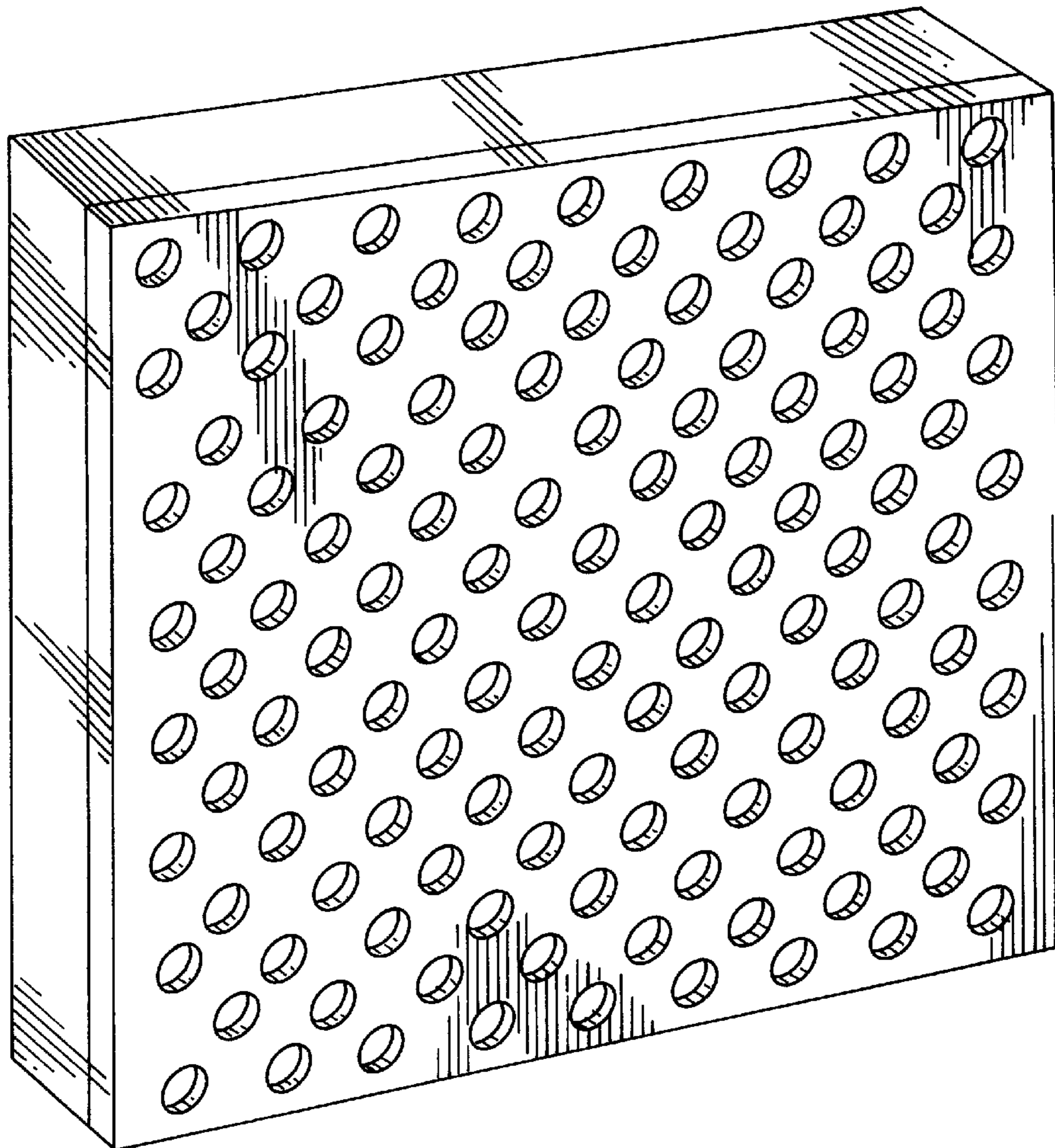


FIG. 1

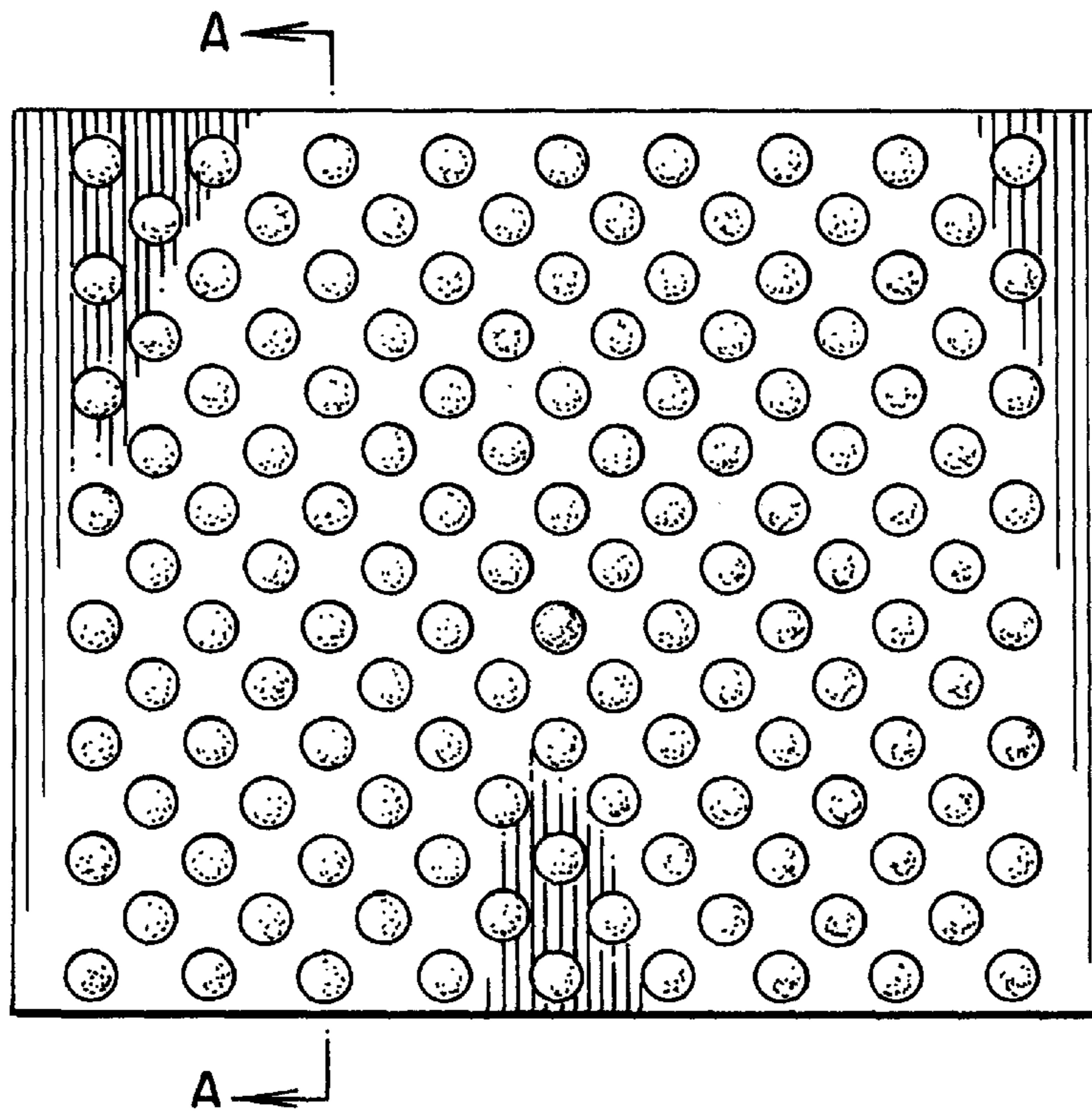


FIG. 2

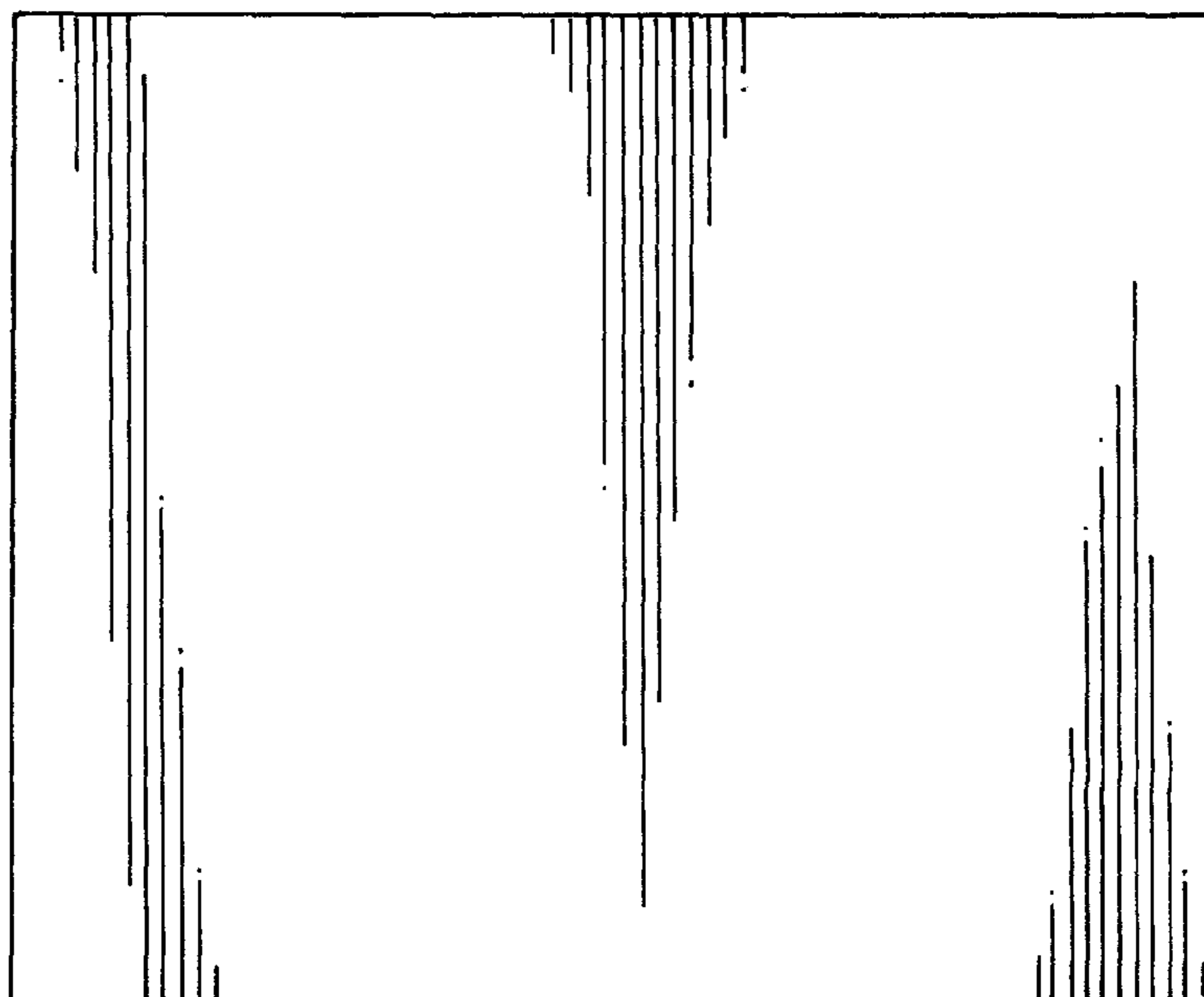


FIG. 3

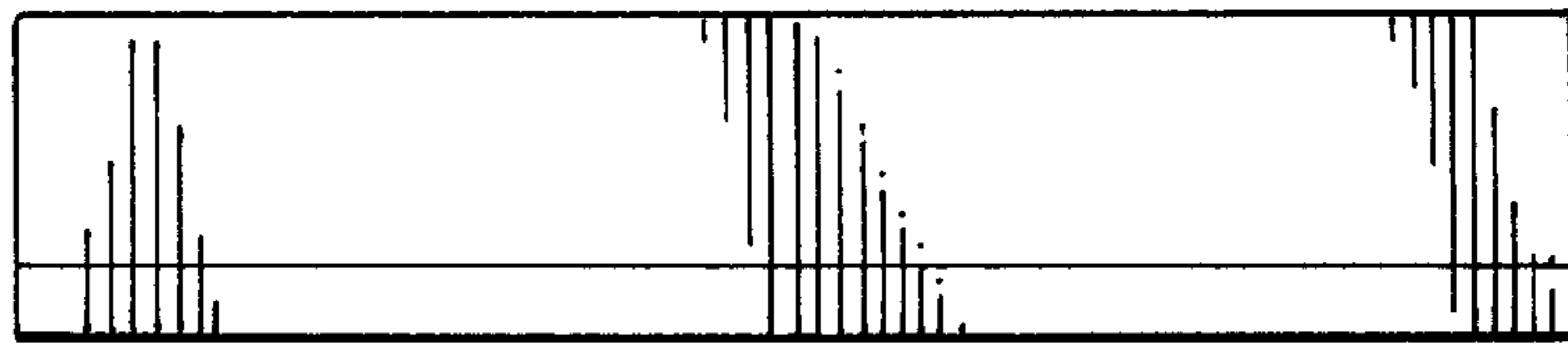


FIG. 5

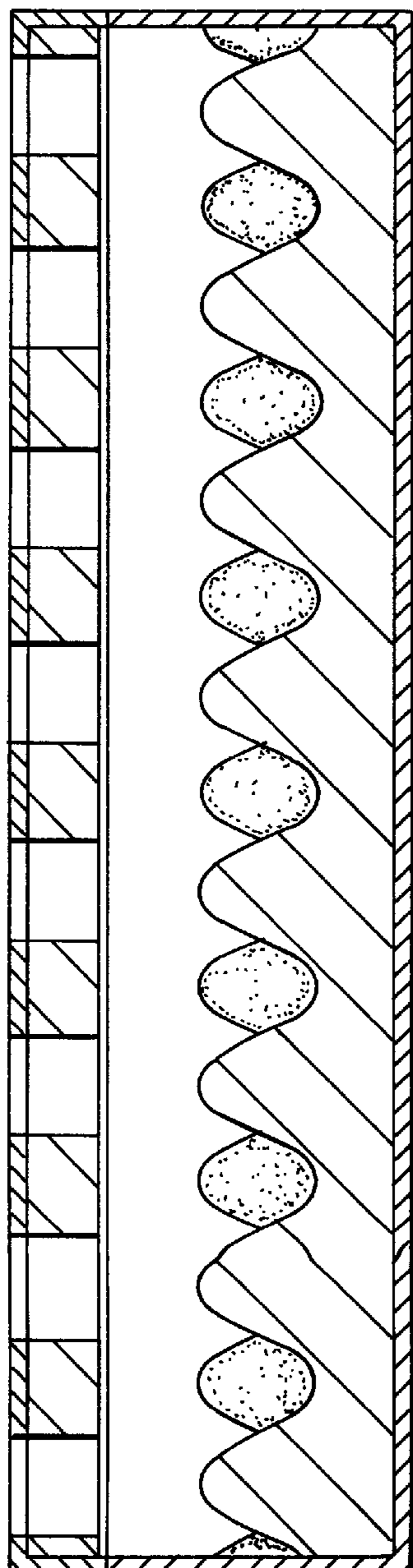


FIG. 4

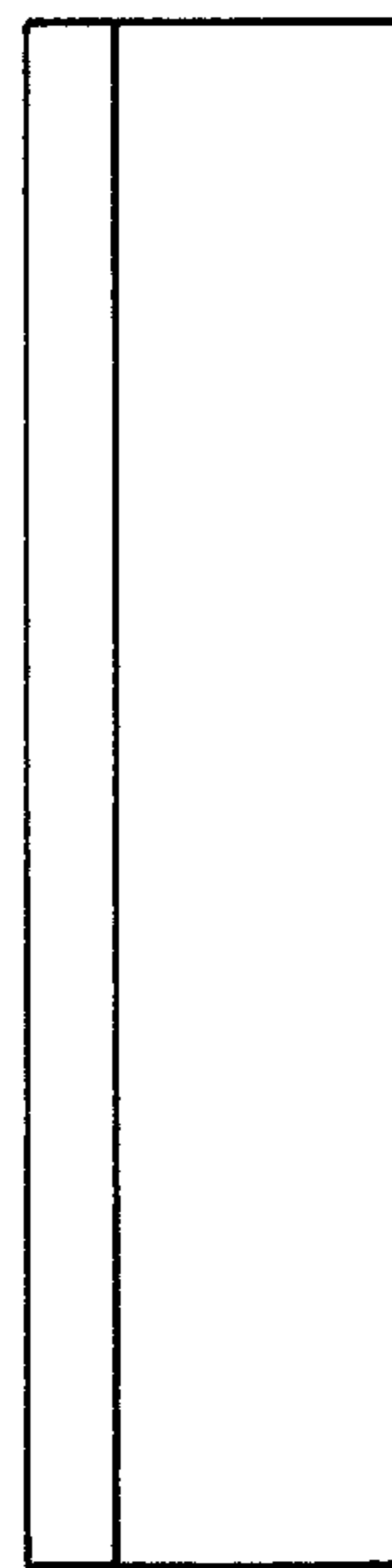


FIG. 6

