



US00D410284S

**United States Patent** [19]  
**Piontek et al.**

[11] **Patent Number: Des. 410,284**

[45] **Date of Patent: \*\* May 25, 1999**

[54] **TUBING CONNECTOR**

[75] Inventors: **Carl Joseph Piontek**, Powell; **Robert Scott Osborne**, Gahanna; **Robert Donald Clegg**, Pickerington; **Bradford Lynn Buck**, Gahanna; **Matthew Scott Fleming**, Columbus; **Joseph Anthony Juratovac**, Columbus; **Grant Richard Wilson**, Columbus; **William Edward Patton**, Dublin; **Kathryn Elizabeth Alexander**, Columbus, all of Ohio

[73] Assignee: **Abbott Laboratories**, Abbott Park, Ill.

[\*\*] Term: **14 Years**

[21] Appl. No.: **29/044,274**

[22] Filed: **Sep. 21, 1995**

[51] **LOC (6) Cl.** ..... **24-04**

[52] **U.S. Cl.** ..... **D24/129**

[58] **Field of Search** ..... D24/129, 127, D24/112; D23/266, 265, 262, 263; D8/356; 604/905, 283; 285/332, 906, 242, 23, 156, 174

[56] **References Cited**

**U.S. PATENT DOCUMENTS**

D. 198,499	6/1964	Harautuneian	.....	D24/129
D. 313,277	12/1990	Haining	.....	D24/129
D. 335,175	4/1993	Sladek	.....	D24/129
D. 360,030	7/1995	Michels et al.	.....	D24/129

*Primary Examiner*—Pamela Burgess  
*Attorney, Agent, or Firm*—Brian R. Woodworth; Daniel J. Hulseberg

[57] **CLAIM**

The ornamental design for a tubing connector, as shown and described.

**DESCRIPTION**

FIG. 1 is a perspective view of a tubing connector showing our new design;

FIG. 2 is a front elevation view thereof;

FIG. 3 is a left side elevation view thereof;

FIG. 4 is a top view thereof;

FIG. 5 is a right side elevation view thereof;

FIG. 6 is a rear elevation view thereof;

FIG. 7 is a bottom view thereof; and

FIG. 8 is a cross-sectional view thereof taken along line 8—8 of FIG. 4.

FIG. 9 is a perspective view of a tubing connector showing an alternative embodiment of our new design;

FIG. 10 is a front elevation view thereof;

FIG. 11 is a left side elevation view thereof;

FIG. 12 is a top view thereof;

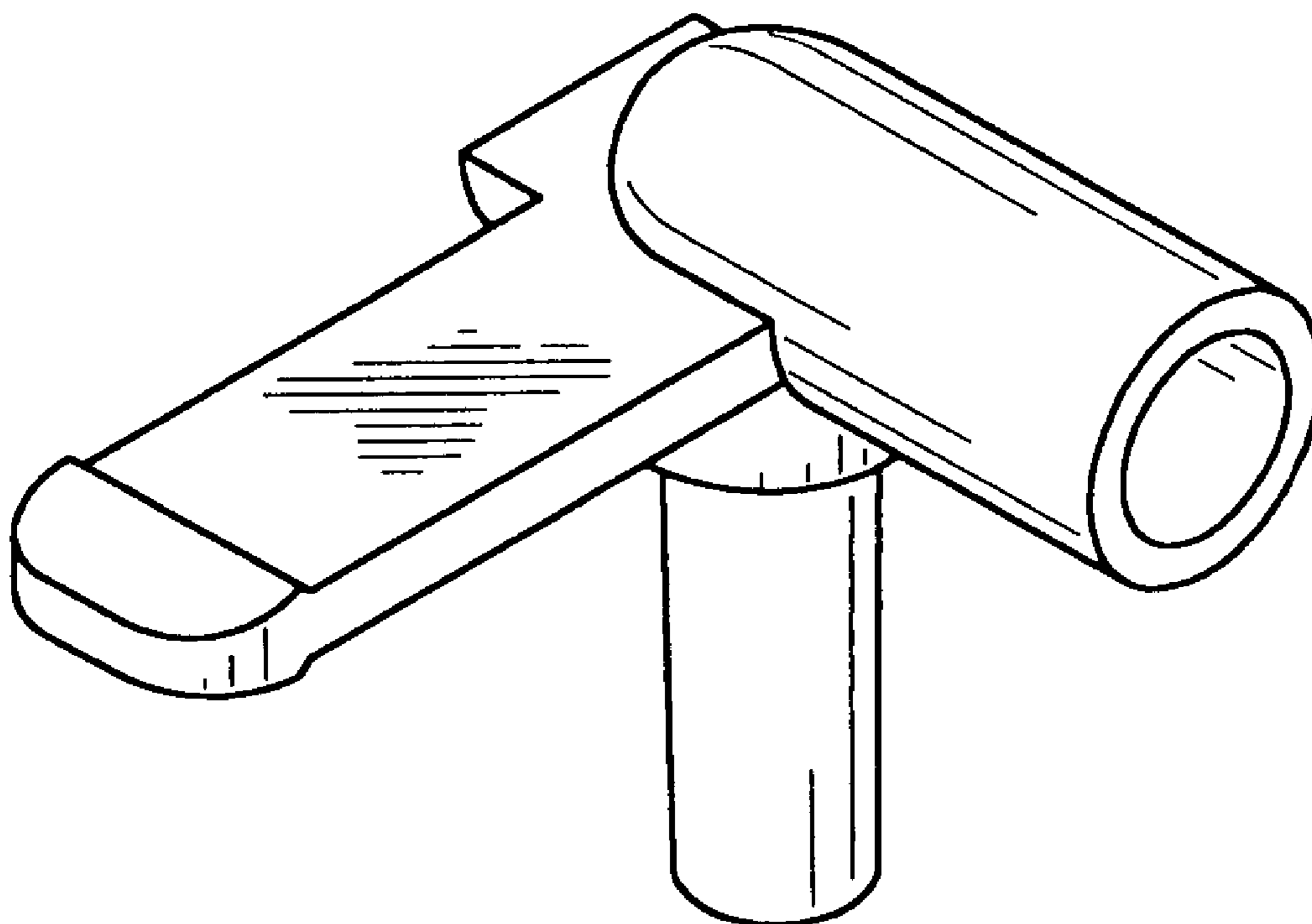
FIG. 13 is a right side elevation view thereof;

FIG. 14 is a rear elevation view thereof;

FIG. 15 is a bottom view thereof; and,

FIG. 16 is a cross-sectional view thereof taken along line 16—16 of FIG. 12.

**1 Claim, 4 Drawing Sheets**



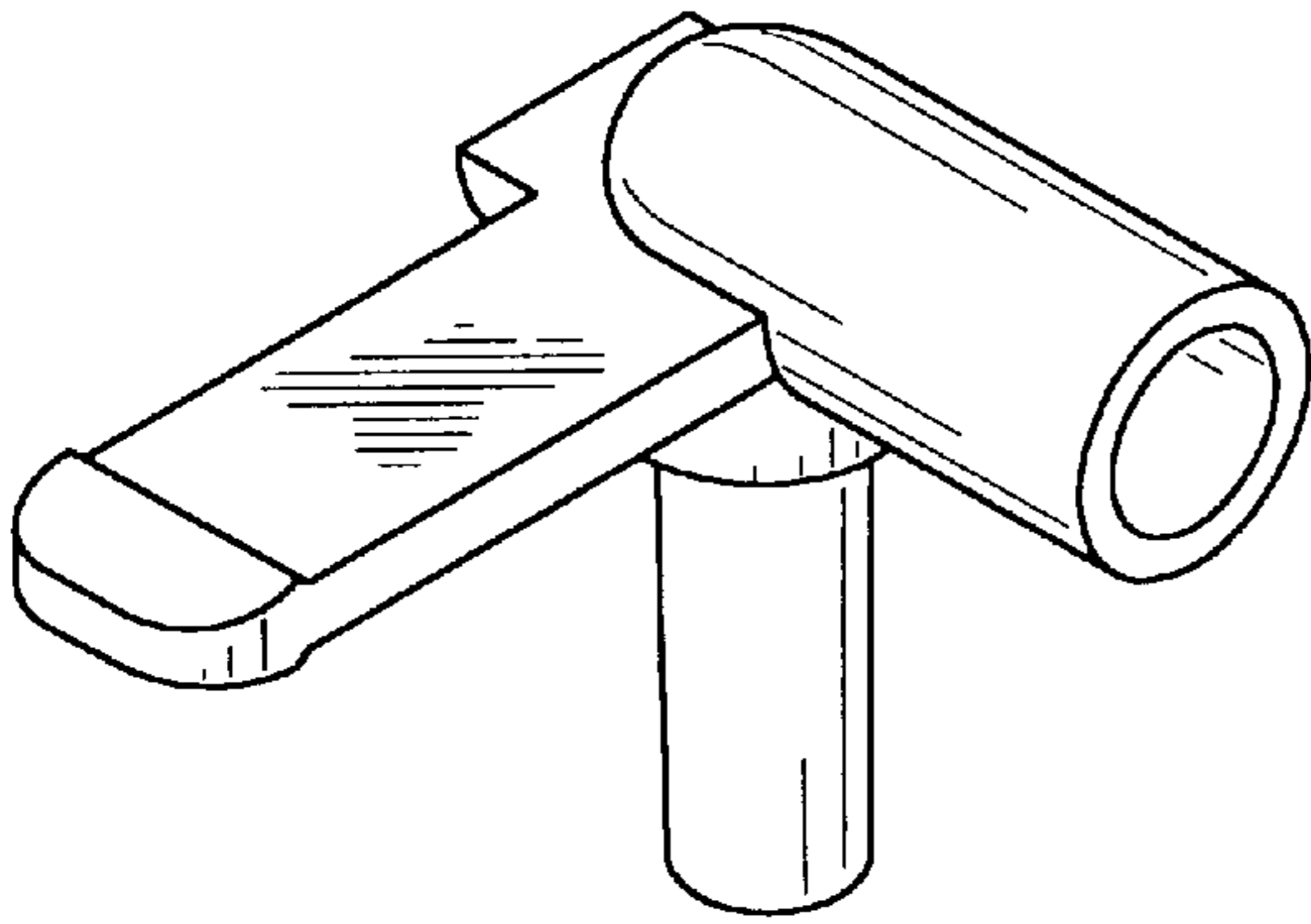


FIG-1

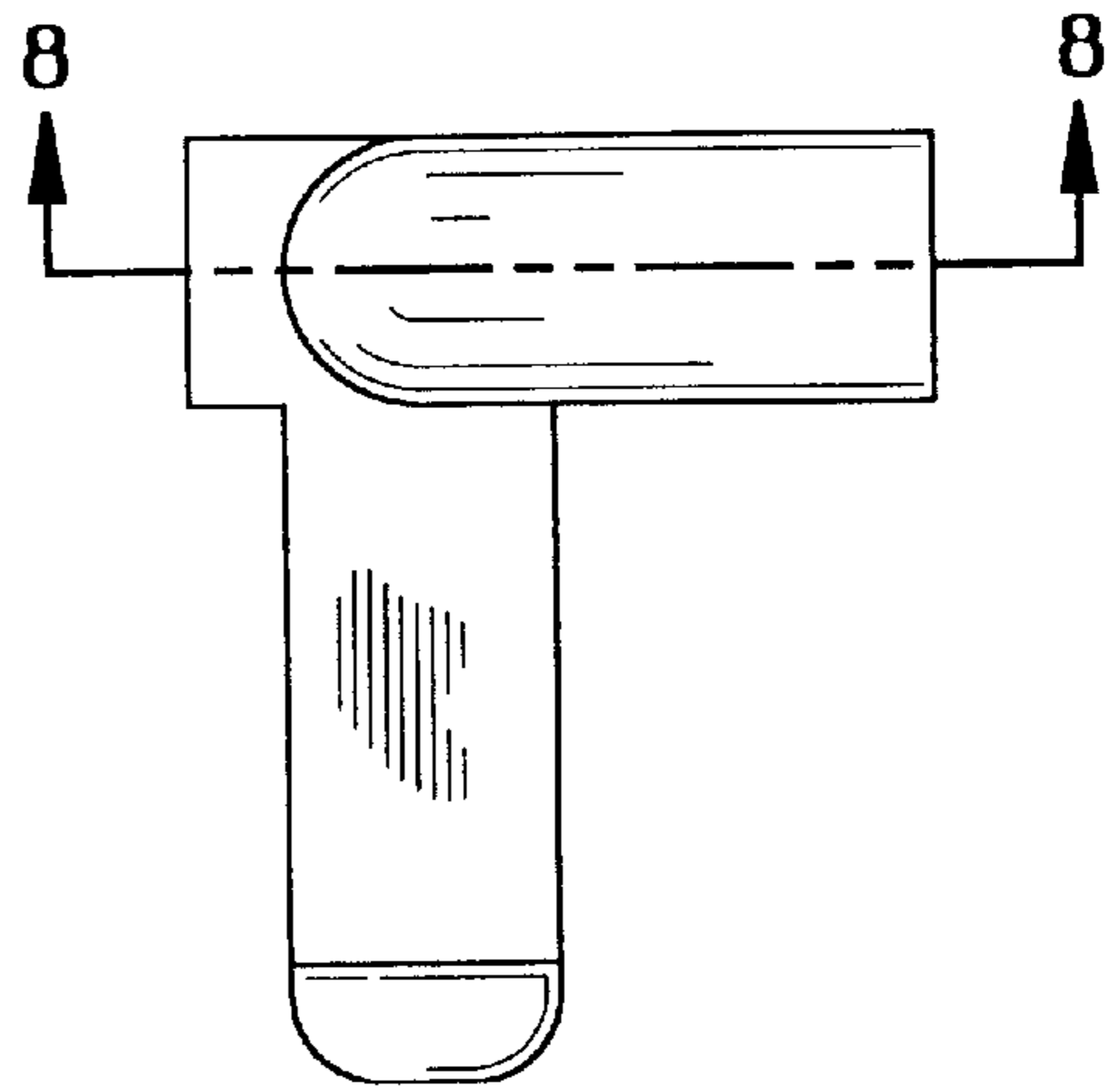


FIG-4

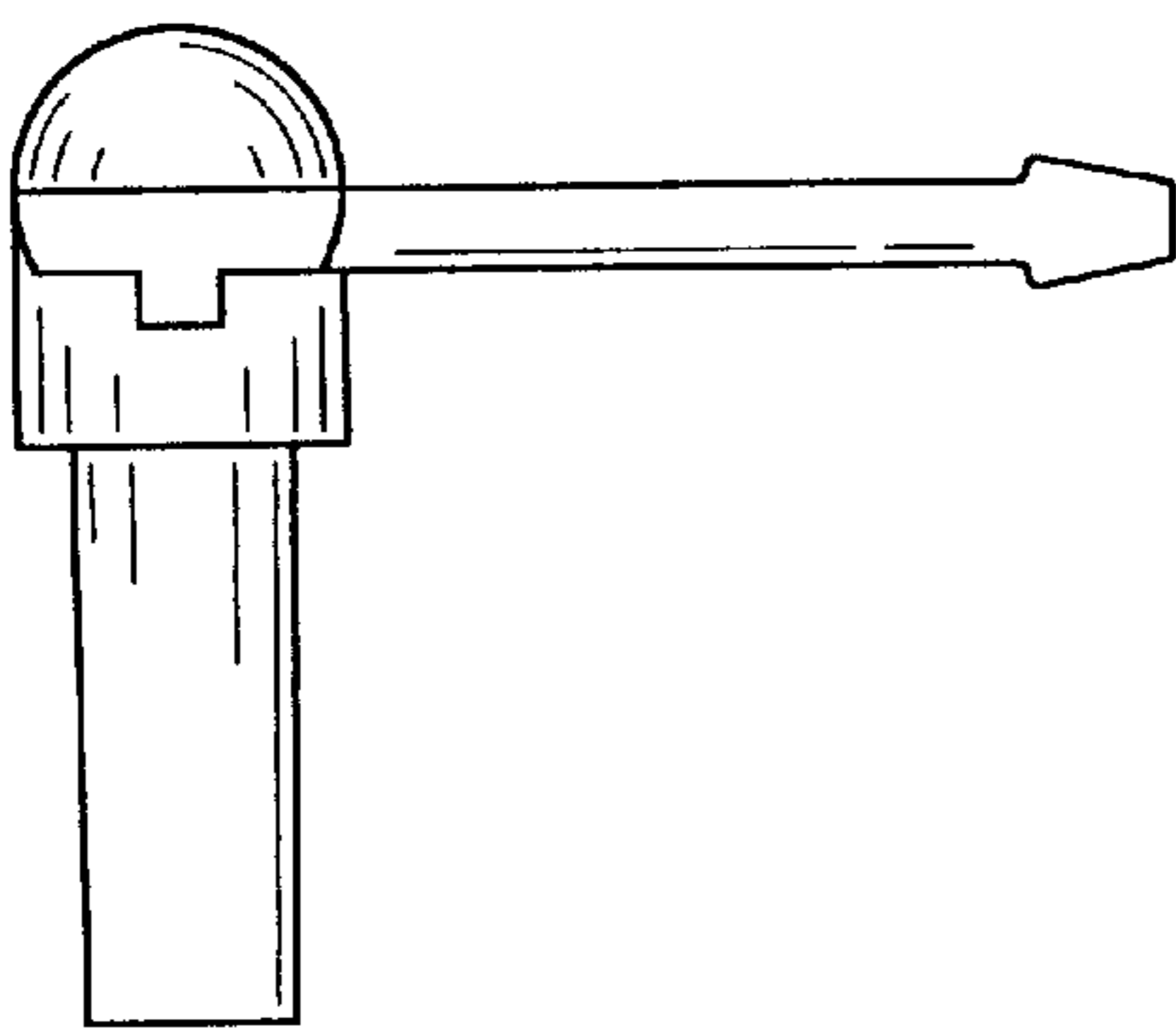


FIG-3

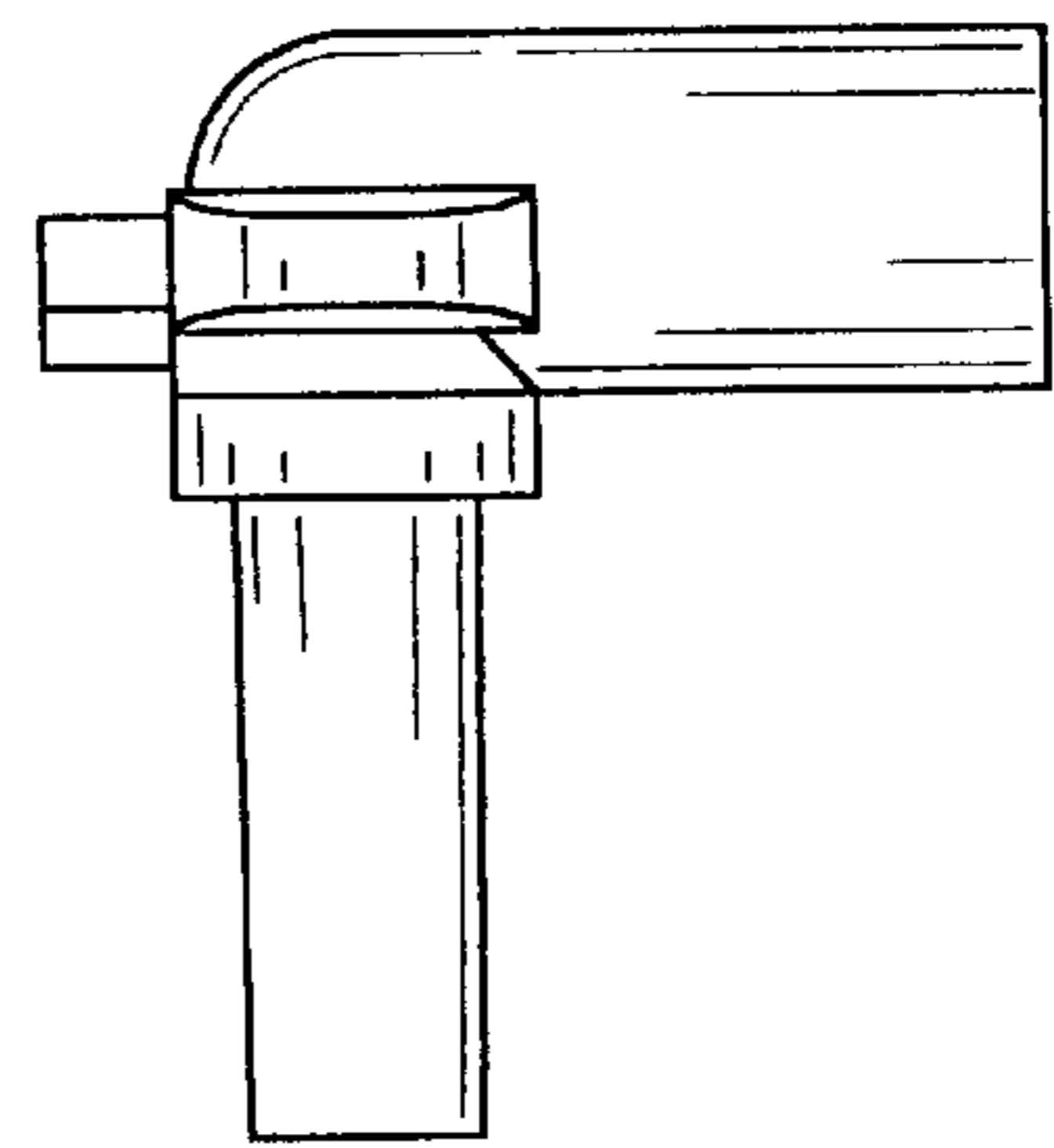


FIG-2

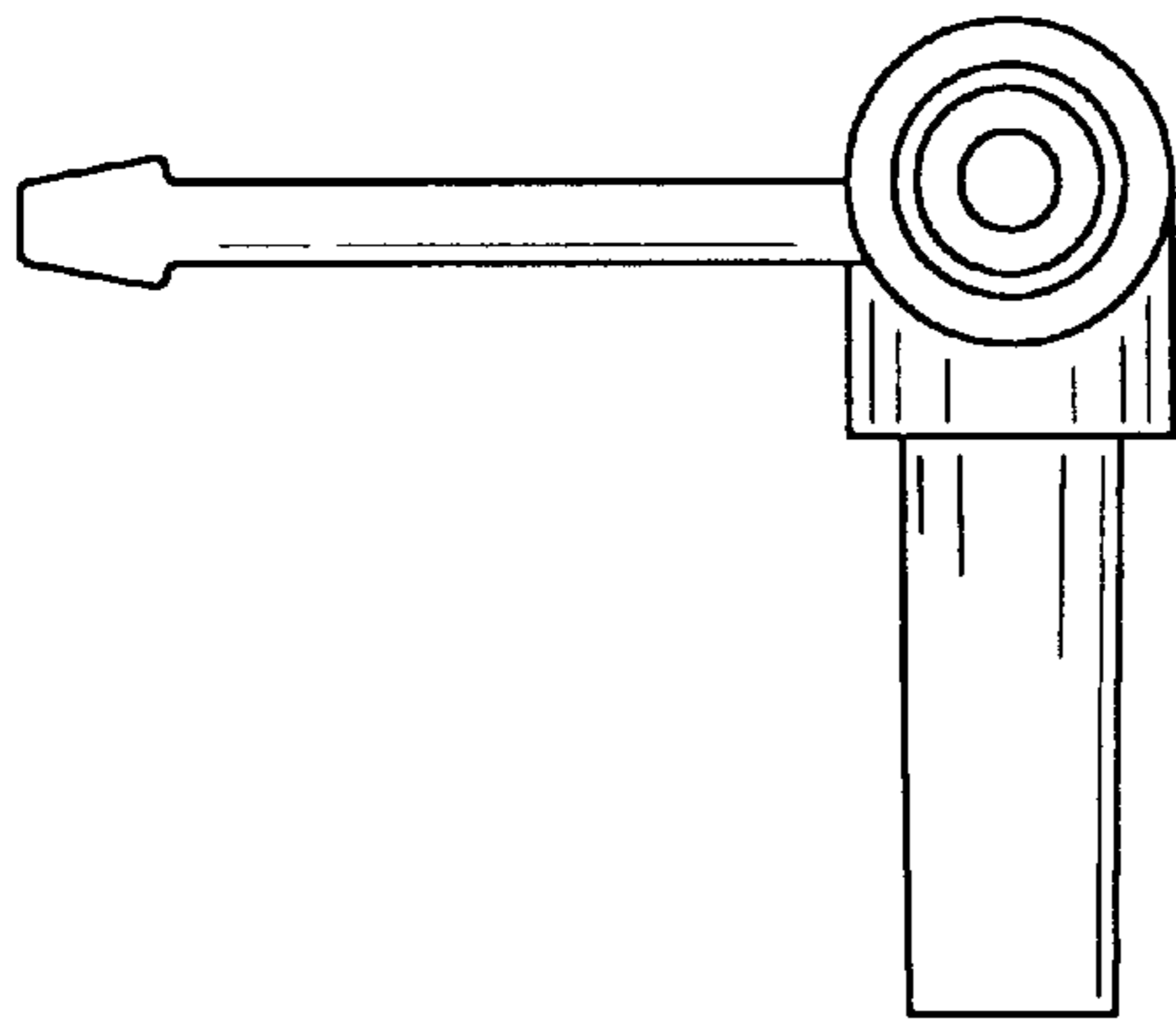


FIG-5

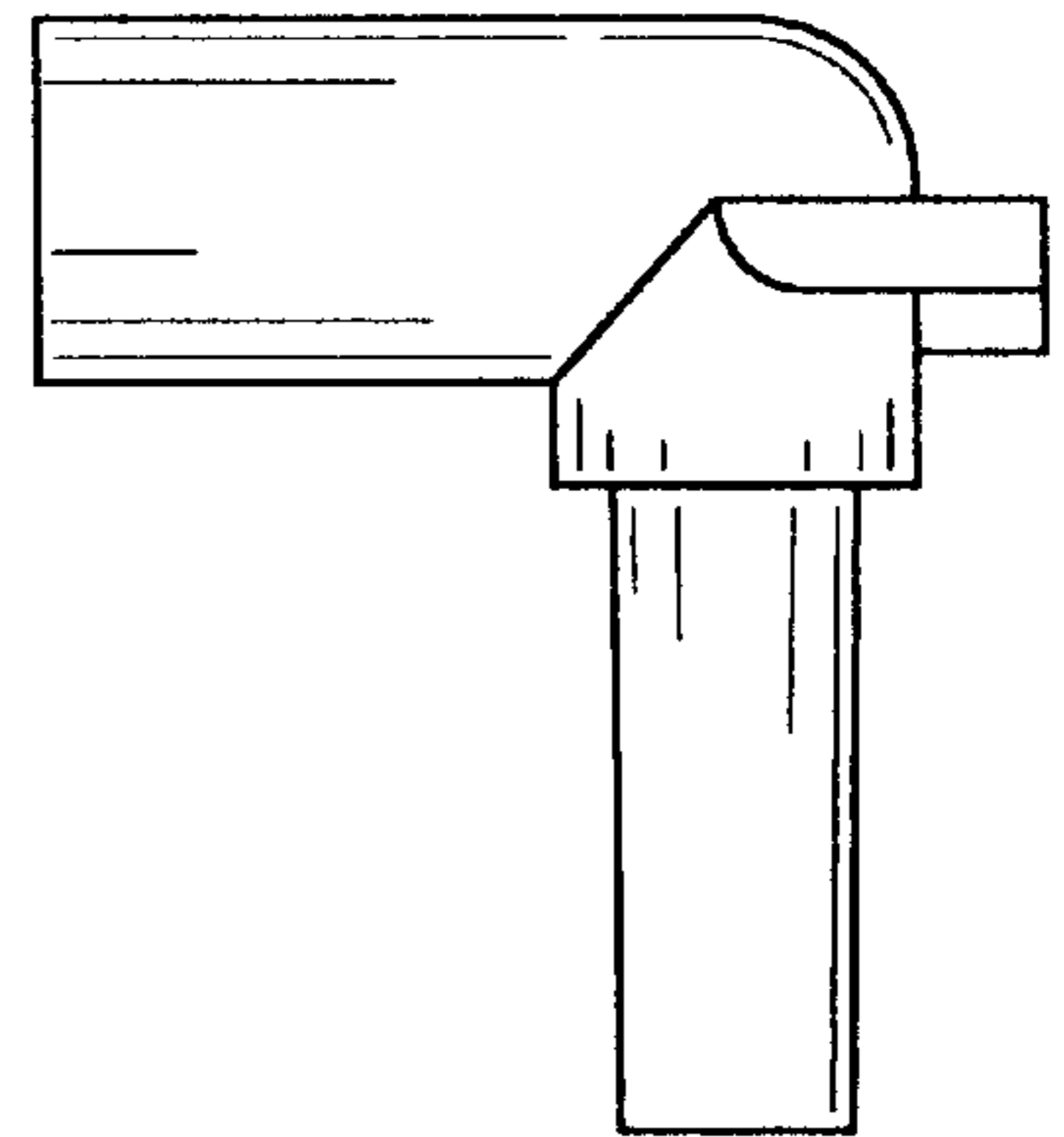


FIG-6

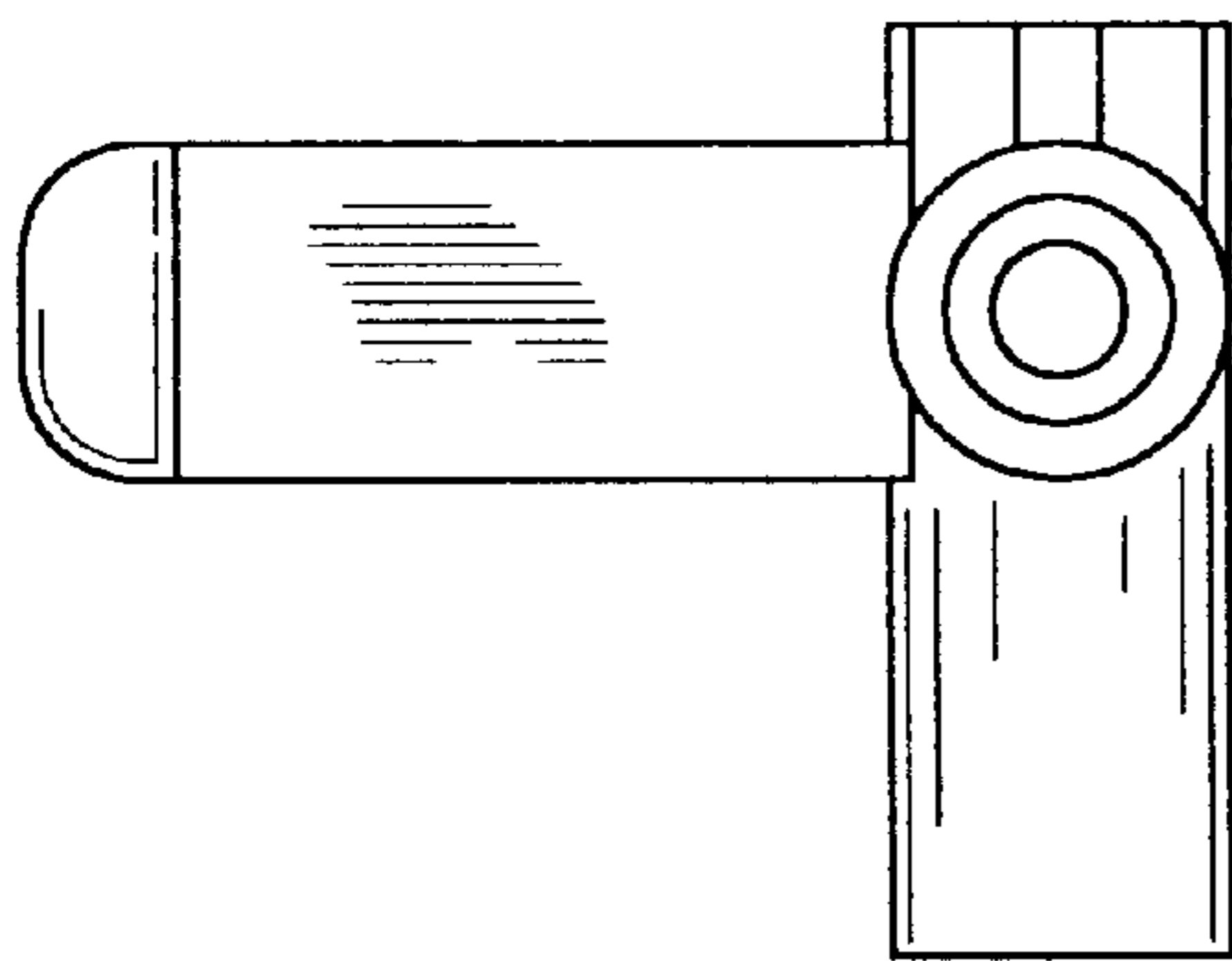


FIG-7

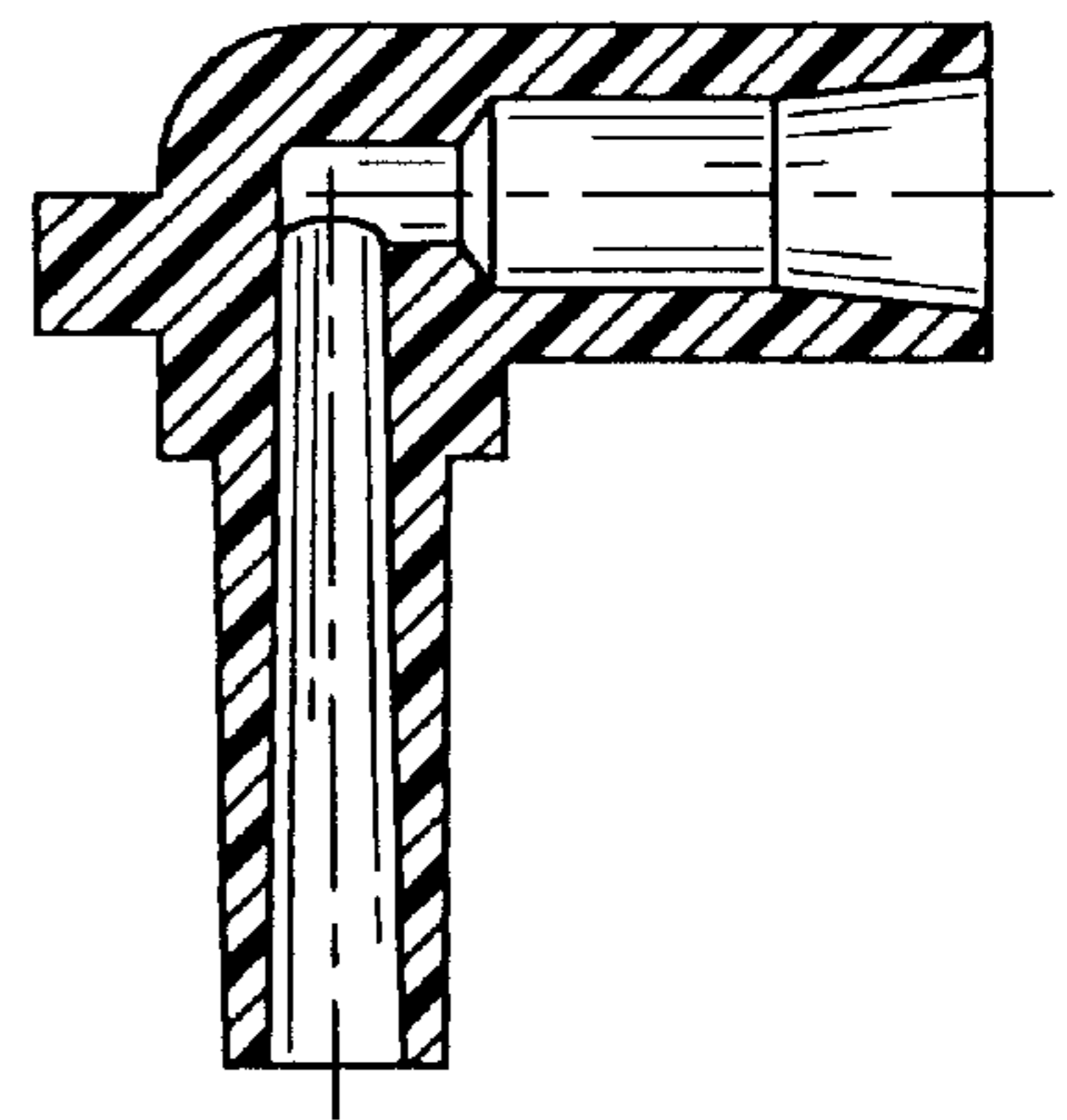


FIG-8

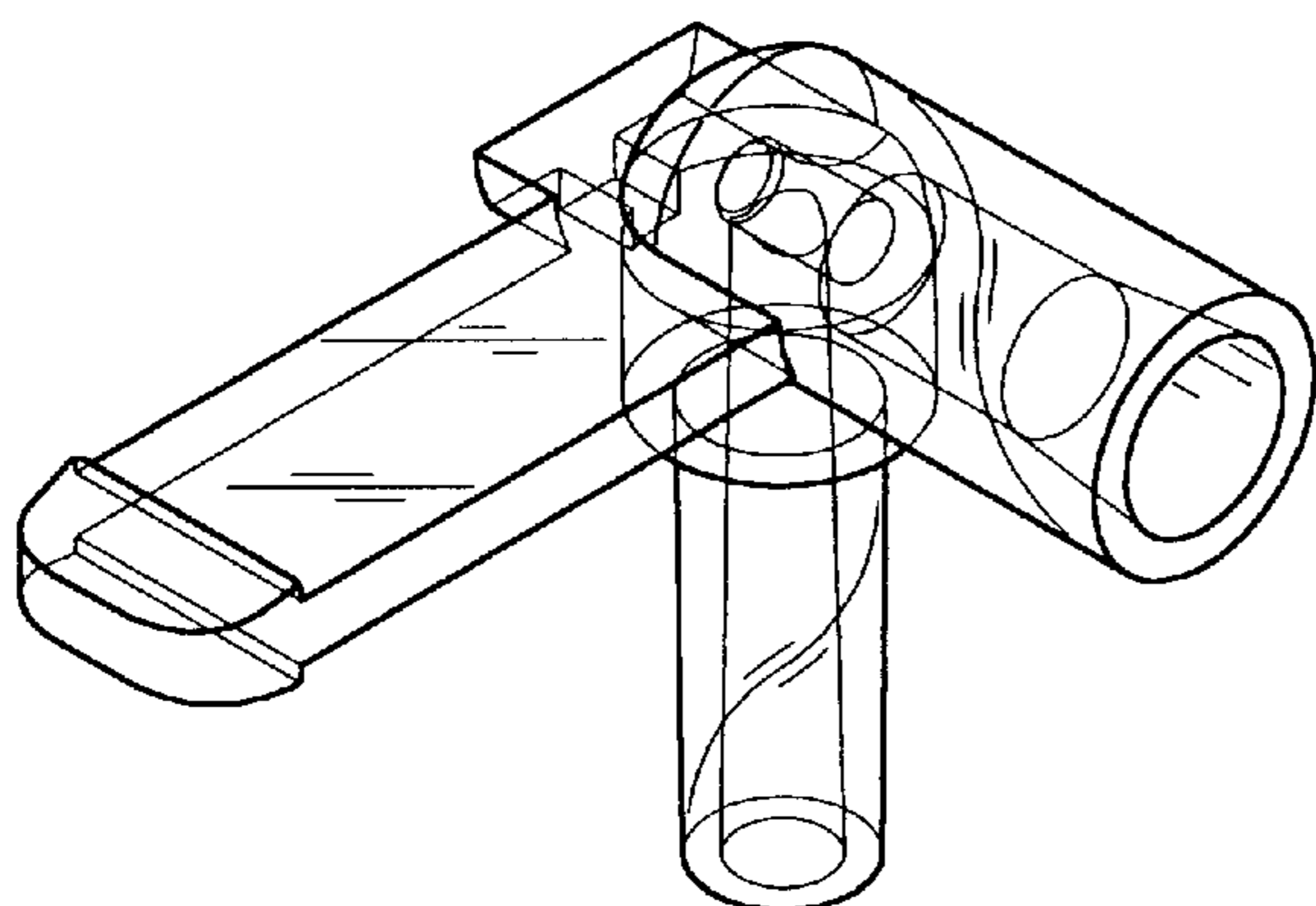


FIG-9

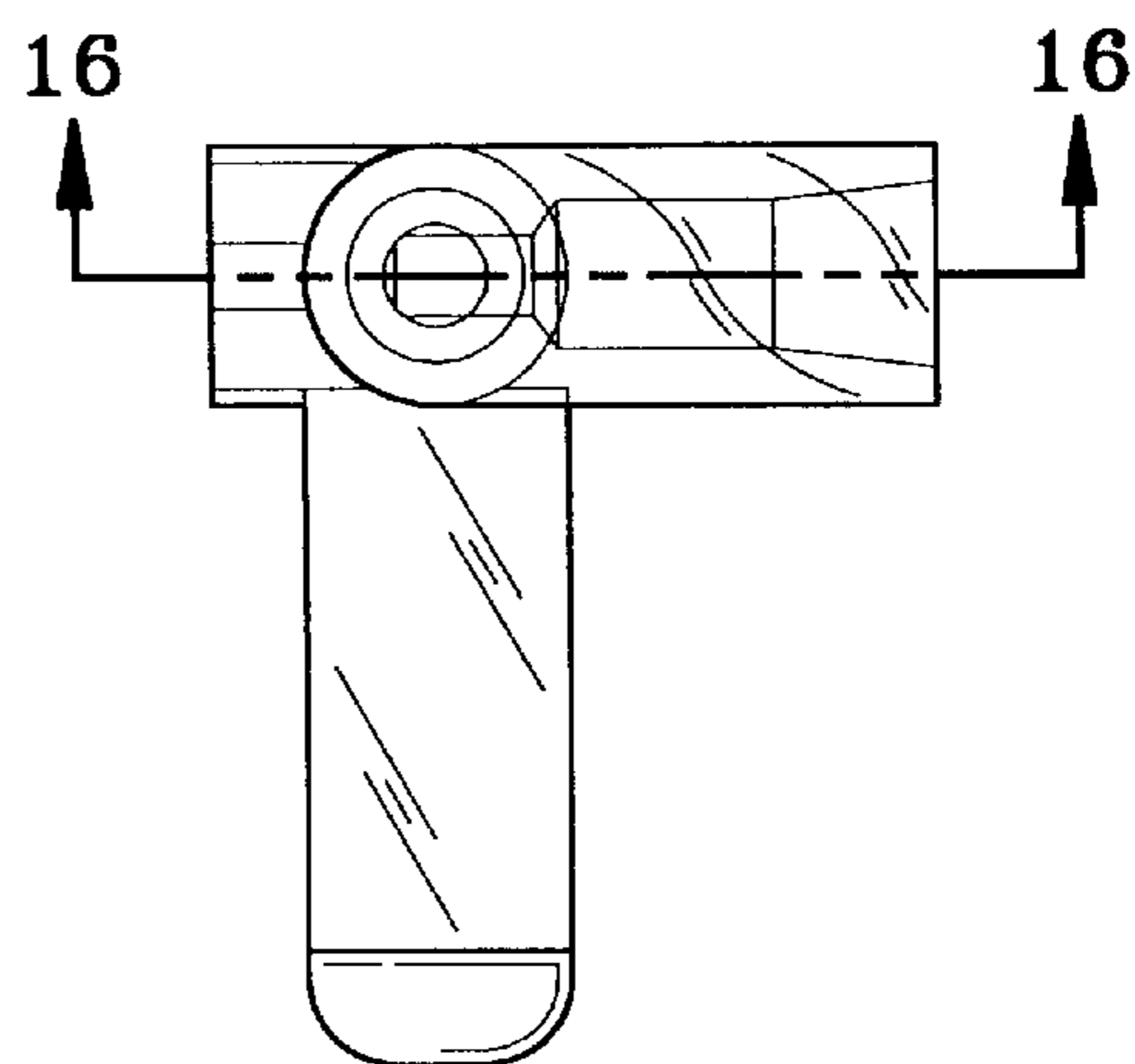


FIG-12

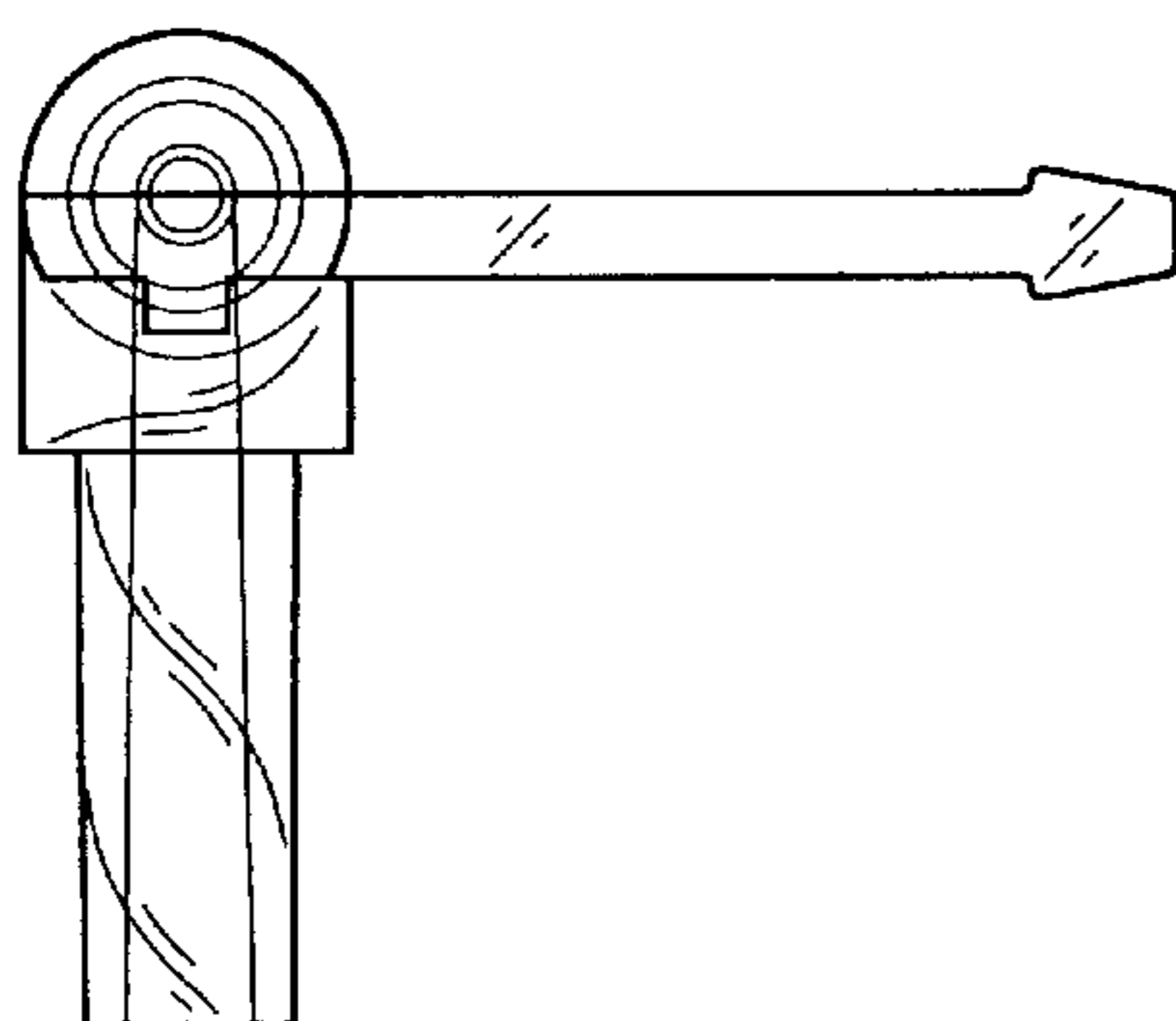


FIG-11

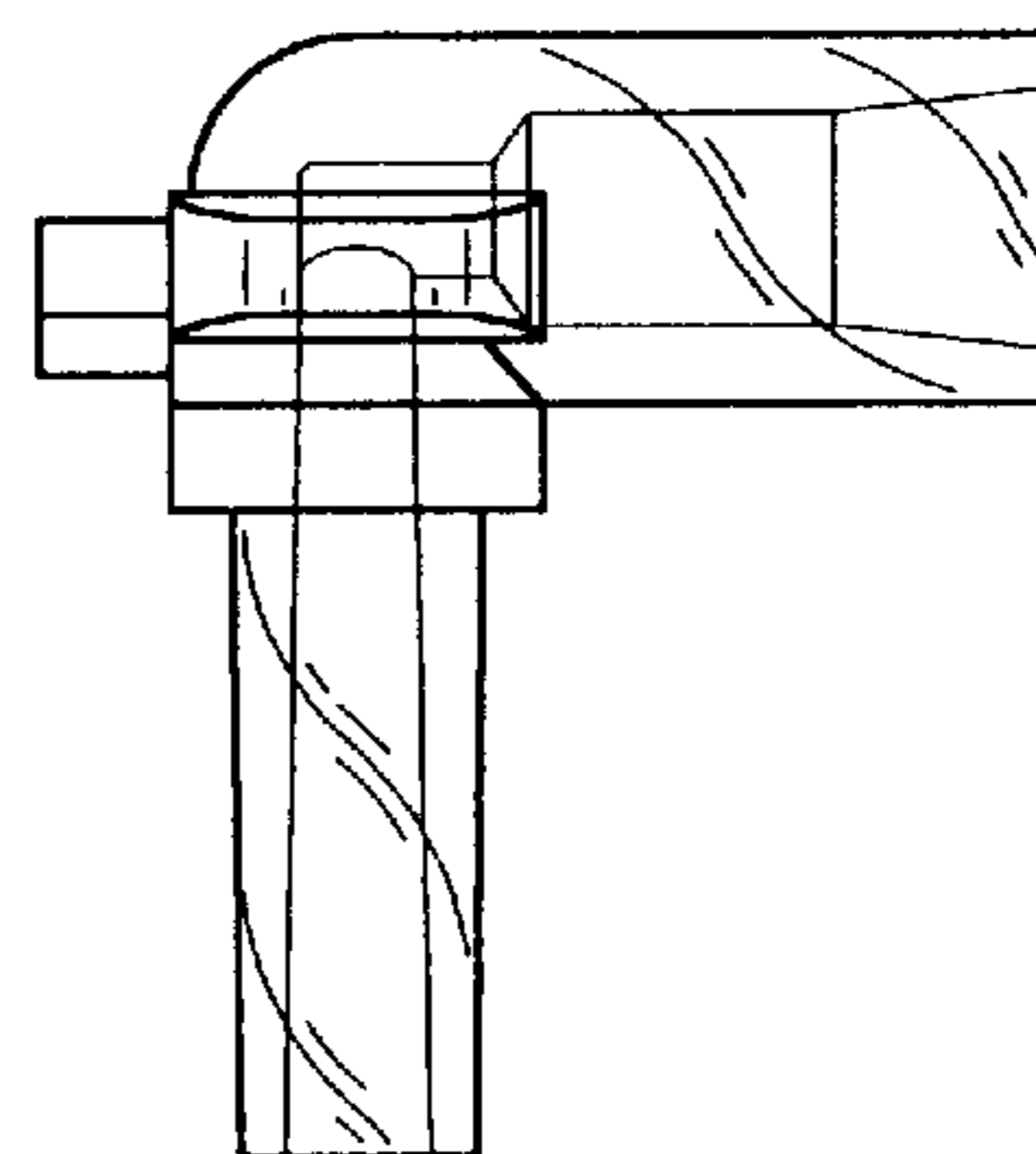


FIG-10

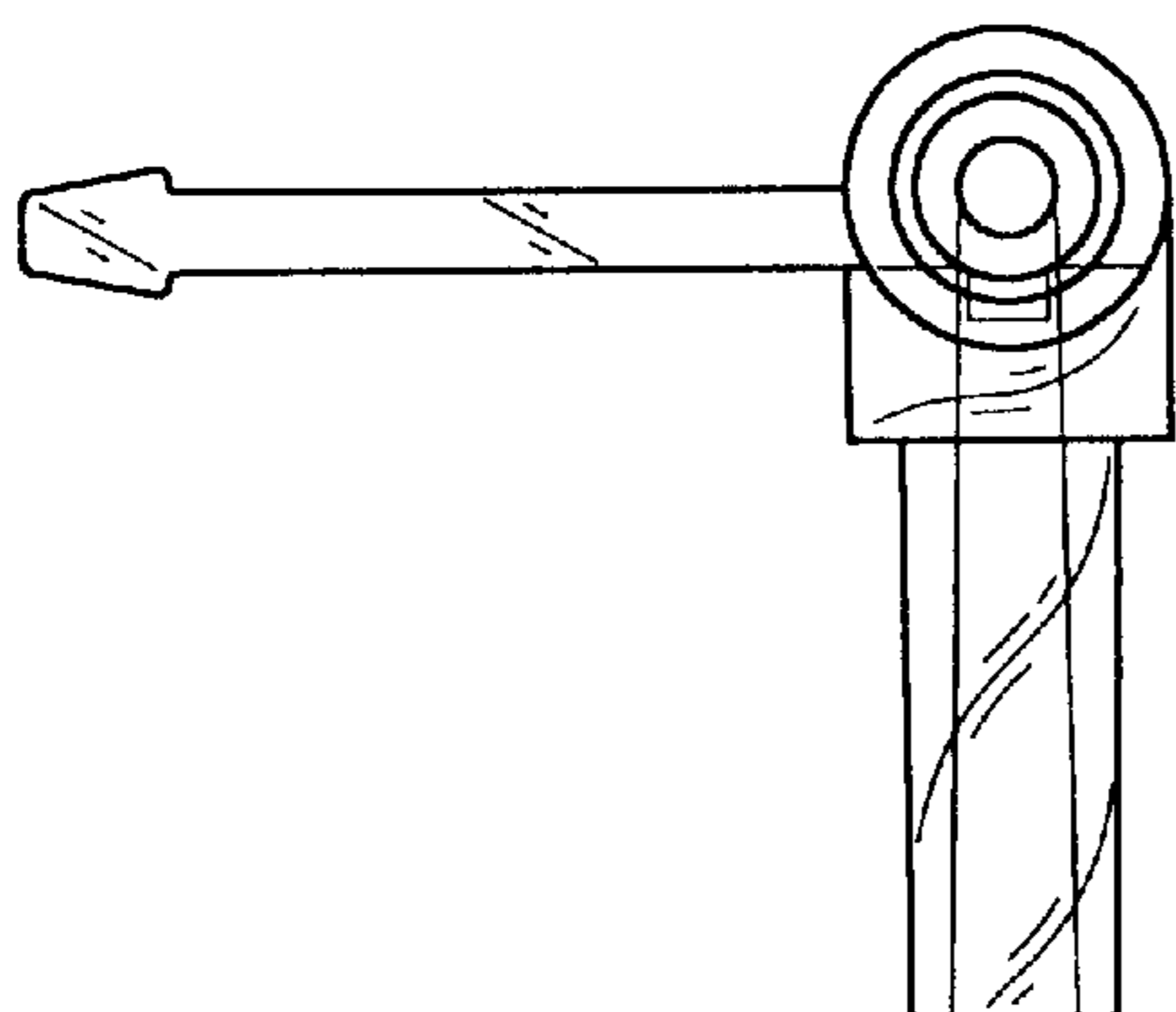


FIG-13

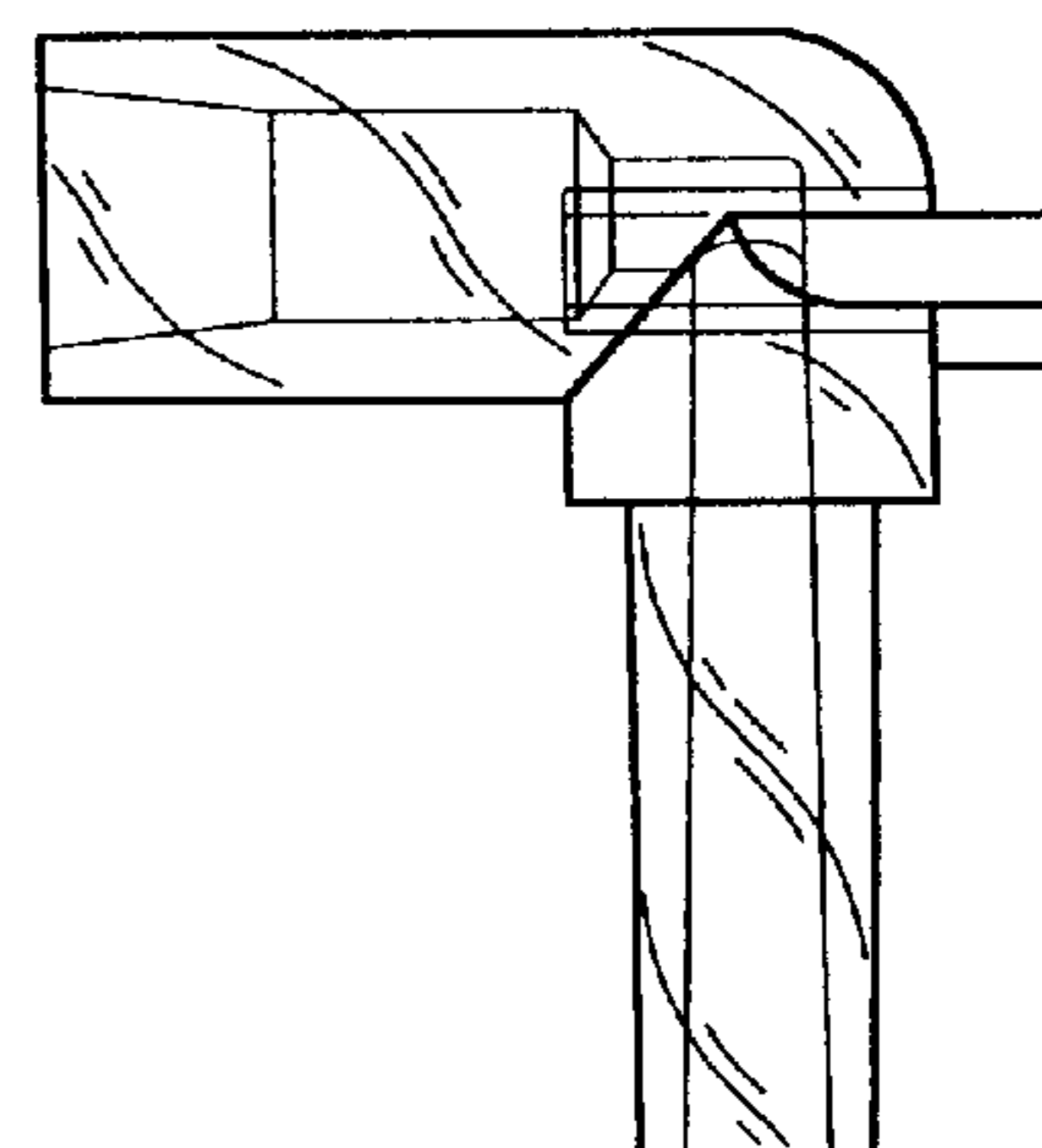


FIG-14

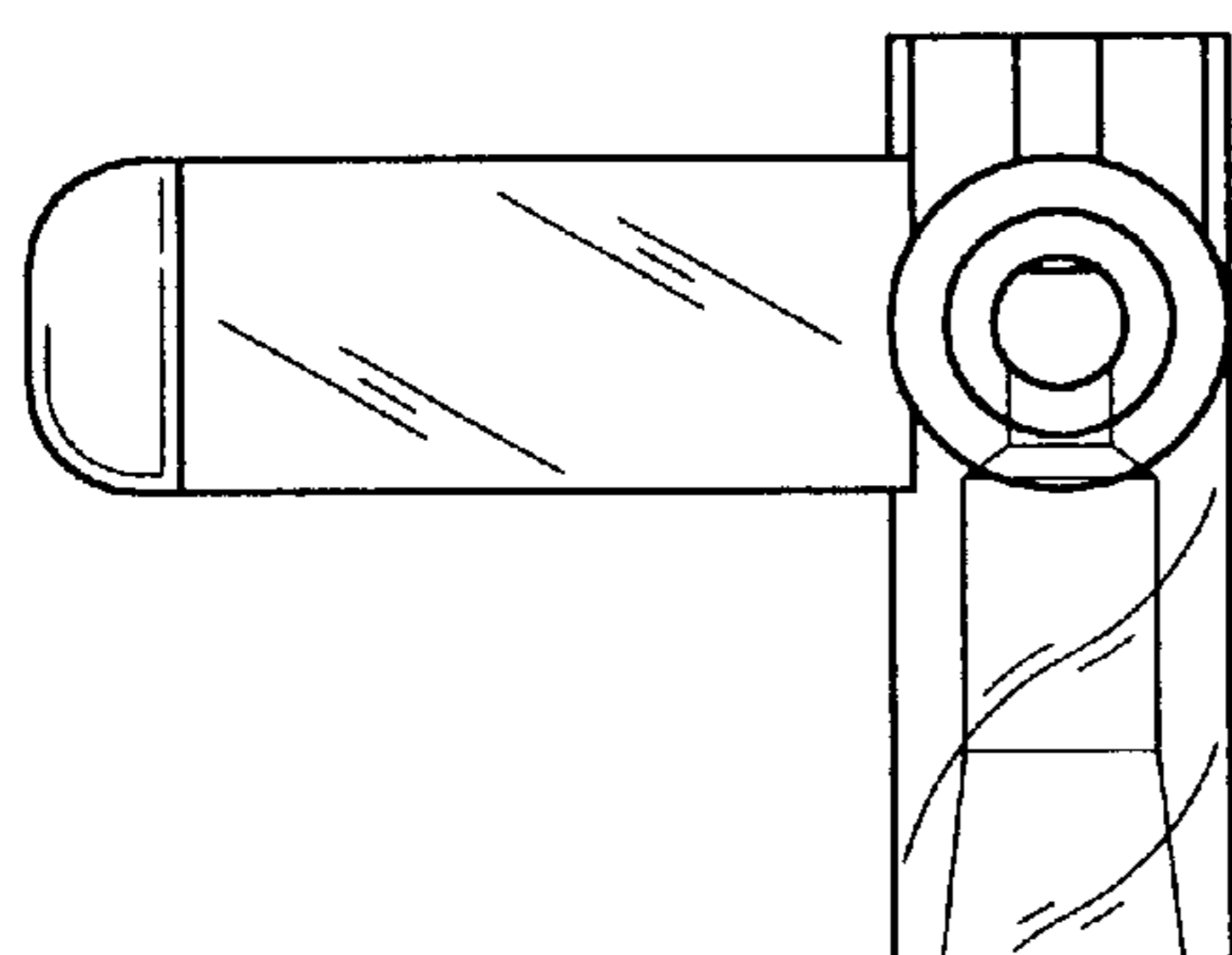


FIG-15

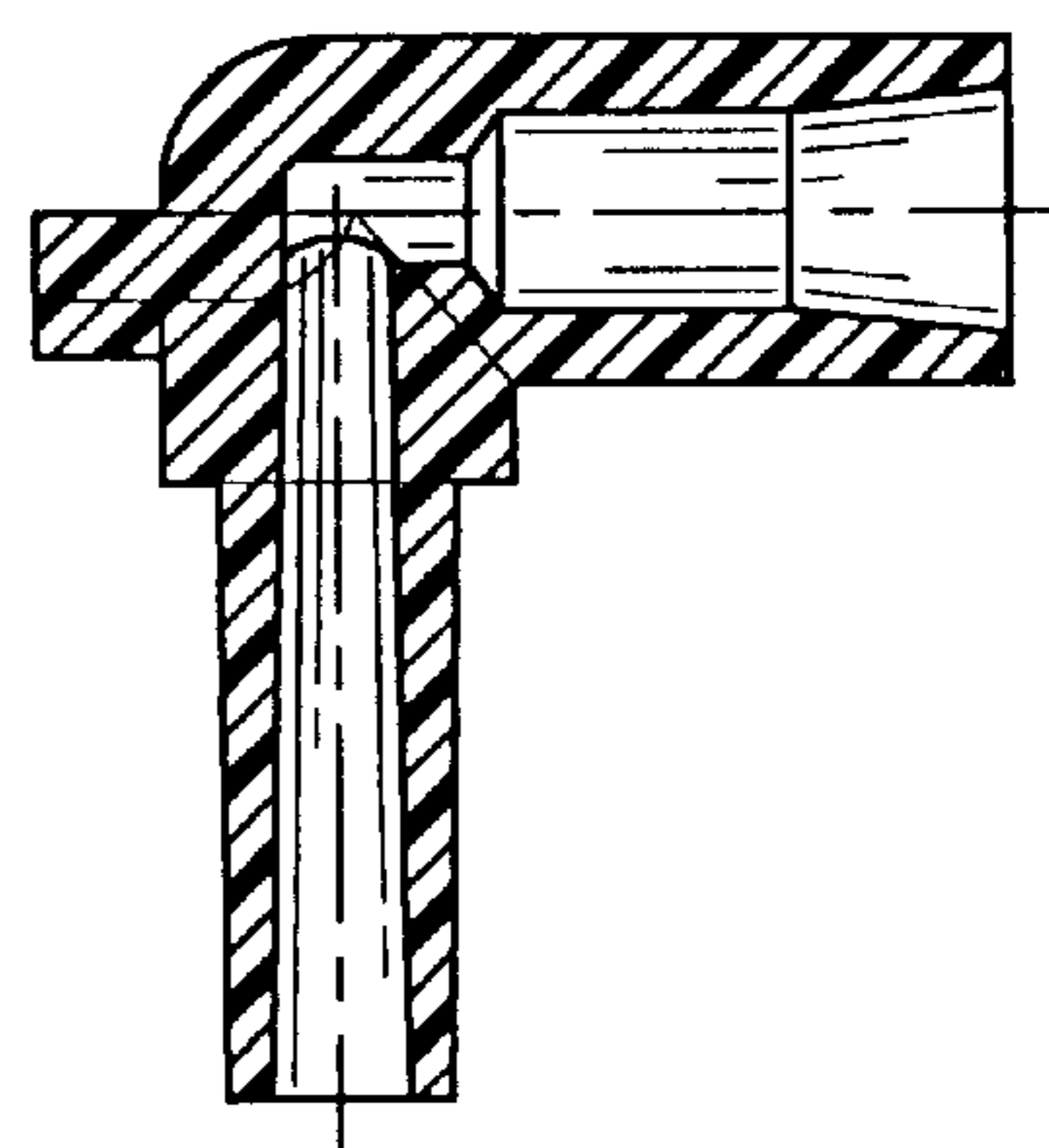


FIG-16