



US00D410280S

United States Patent [19] Bagg

[11] **Patent Number: Des. 410,280**

[45] **Date of Patent: ** May 25, 1999**

[54] **BATH TAP GUARD**

4,944,050 7/1990 Shames 4/609
5,771,505 6/1998 Reynolds 4/559

[76] Inventor: **Peter N. Bagg**, 58 Eldon Street,
Tongemoor, Bolton, Lancs, United
Kingdom, BL2 2HU

Primary Examiner—Doris Clark
Assistant Examiner—Eric Watterson
Attorney, Agent, or Firm—Rader, Fishman & Grauer PLLC

[**] Term: **14 Years**

[57] **CLAIM**

[21] Appl. No.: **29/087,370**

The ornamental design for a bath tap guard, as shown and described.

[22] Filed: **May 1, 1998**

[51] **LOC (6) Cl.** **23-02**

[52] **U.S. Cl.** **D23/303**

[58] **Field of Search** D23/238-243,
D23/250-257, 303-313; 4/608-610, 145-160,
505, 514, 559; 428/122, 358; D25/119,
164

DESCRIPTION

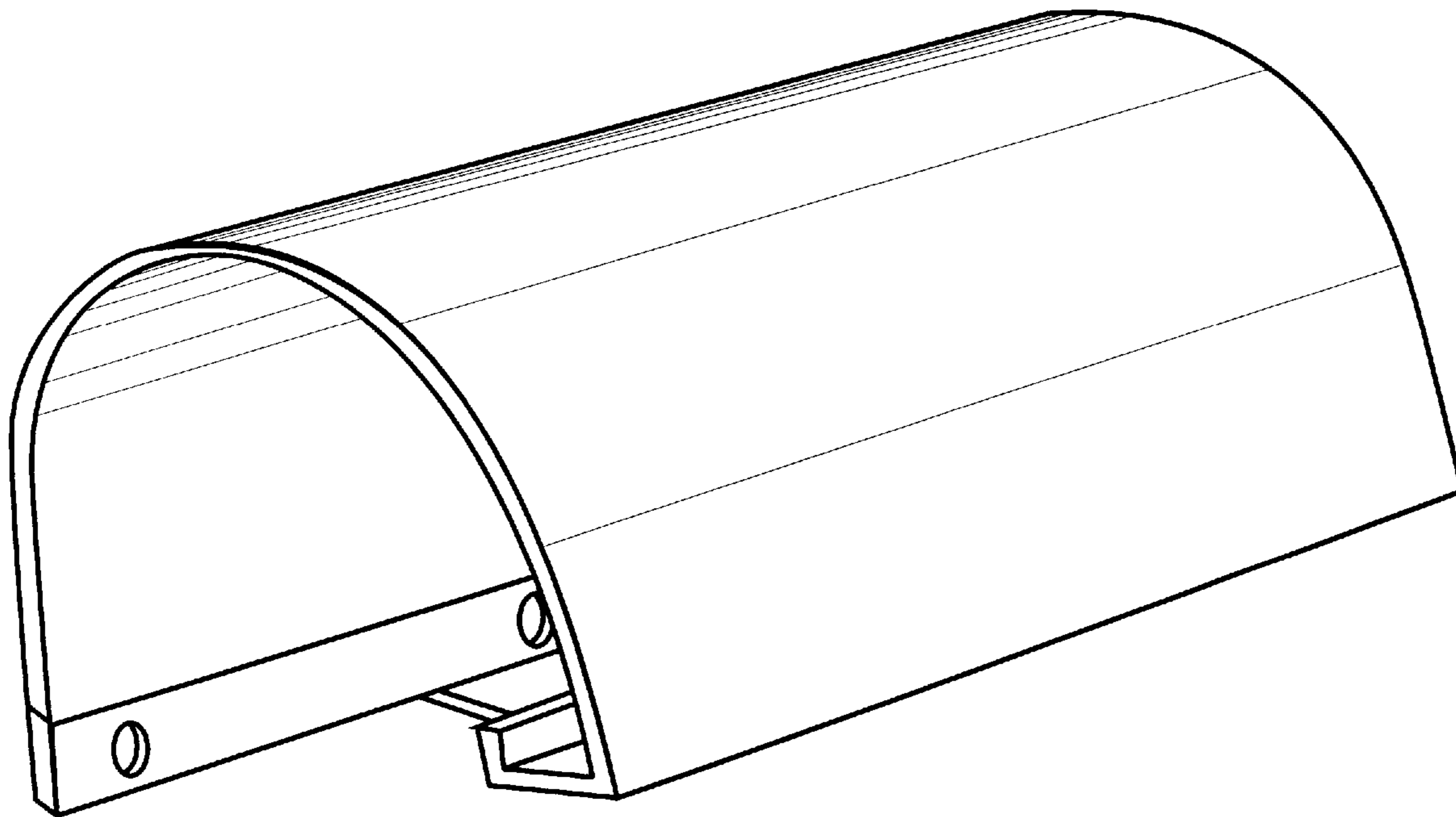
FIG. 1 is a view of the front face of the bath tap guard;
FIG. 2 is a view of the reverse face of the bath tap guard;
FIG. 3 is a view of the right face of the bath tap guard;
FIG. 4 is a view of the left face of the bath tap guard;
FIG. 5 is a view of the top face of the bath tap guard;
FIG. 6 is a view of the bottom face of the bath tap guard;
and,
FIG. 7 is a perspective view of the bath tap guard.

[56] **References Cited**

U.S. PATENT DOCUMENTS

3,984,880 10/1976 Sehromeyer 4/146
4,722,103 2/1988 Kliebert 4/658

1 Claim, 4 Drawing Sheets



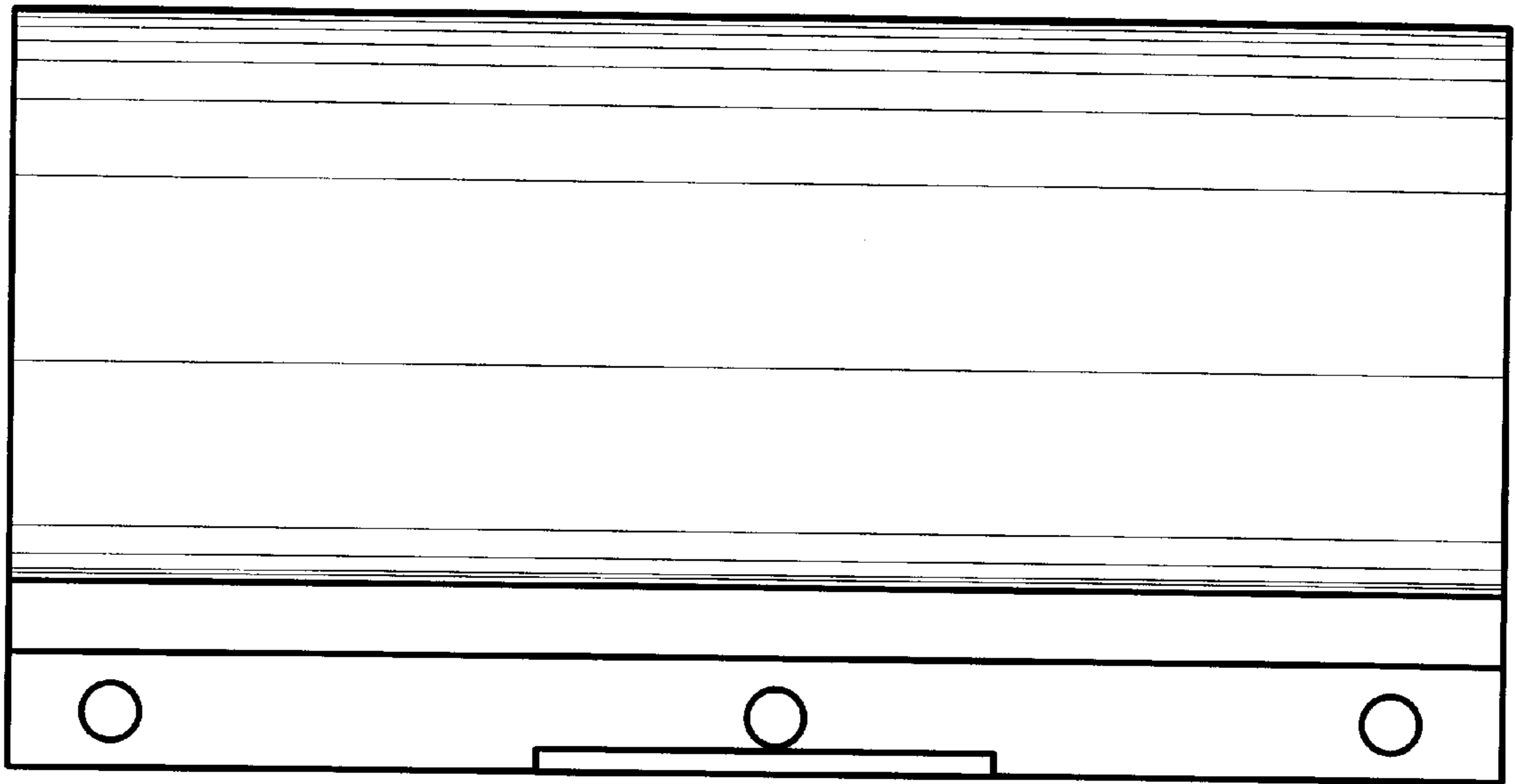


FIG 1

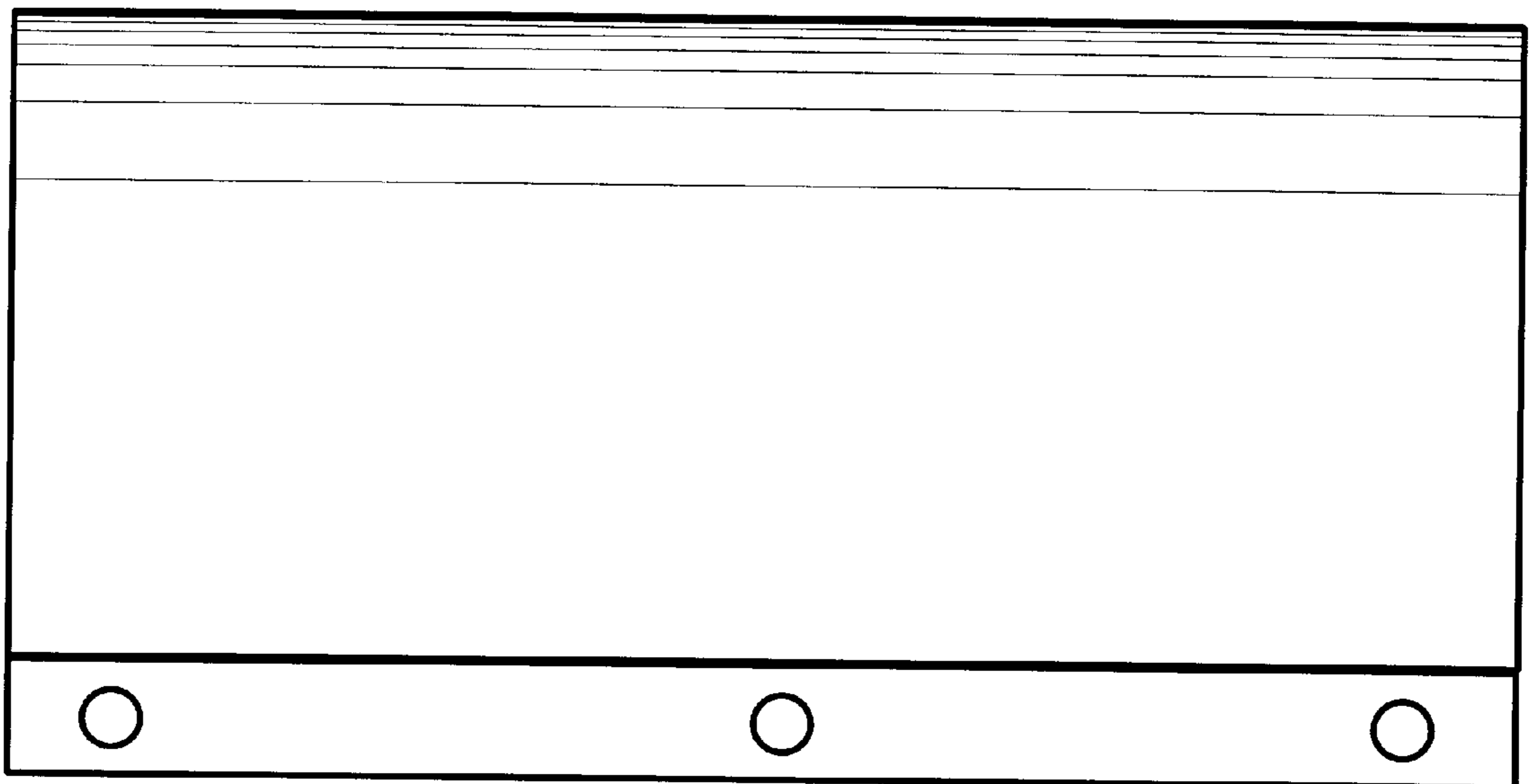


FIG 2

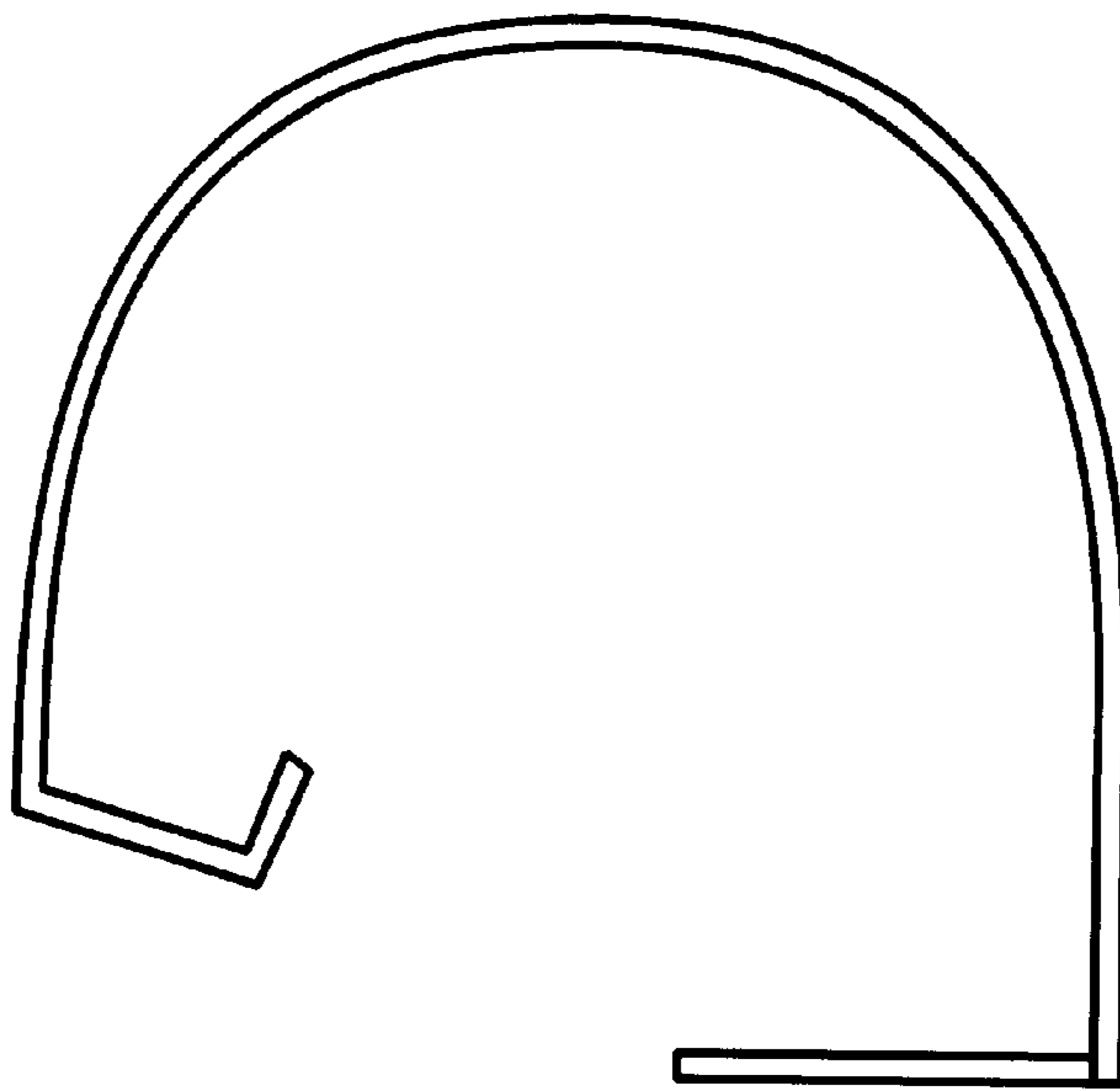


FIG 3

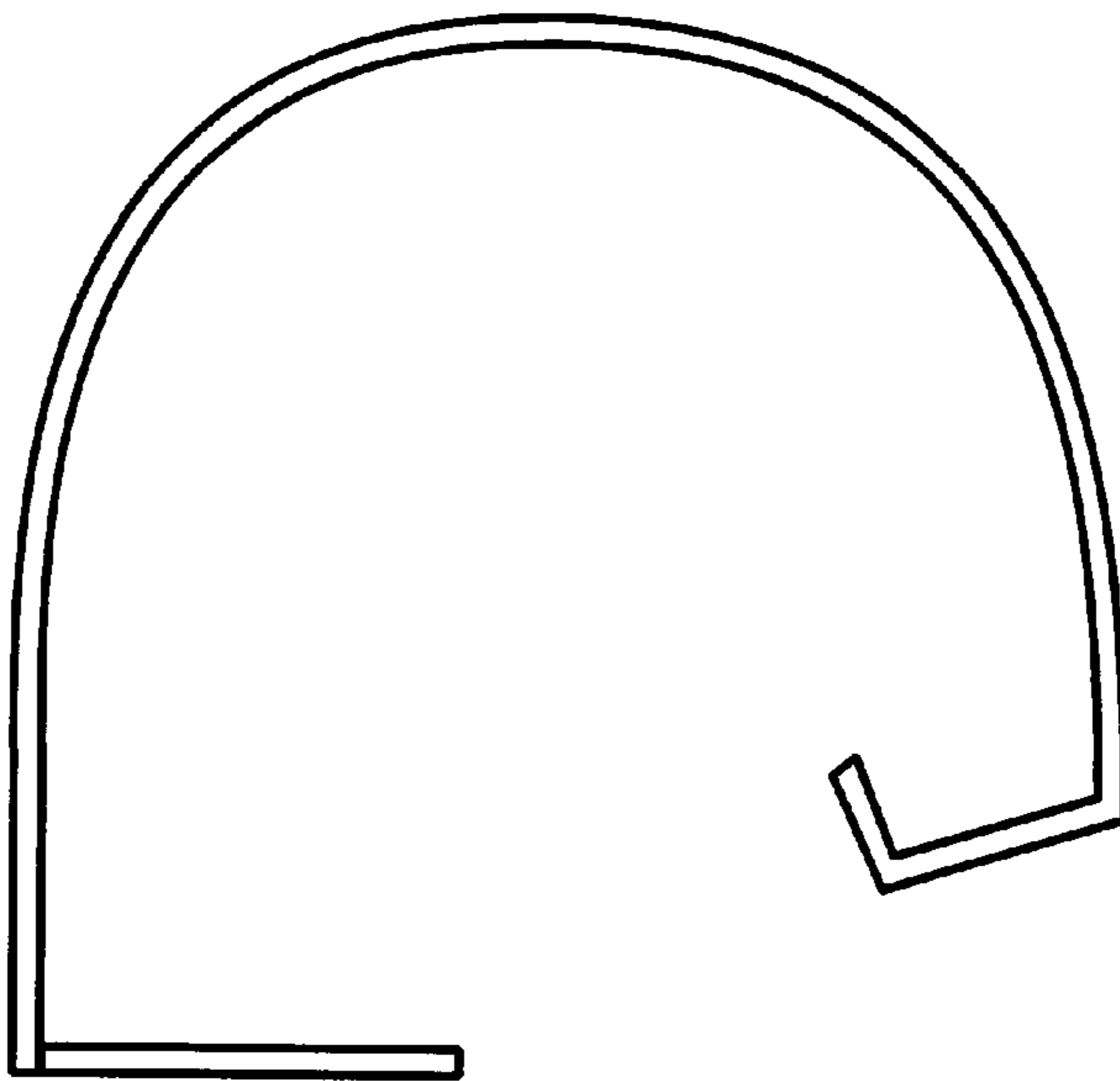


FIG 4

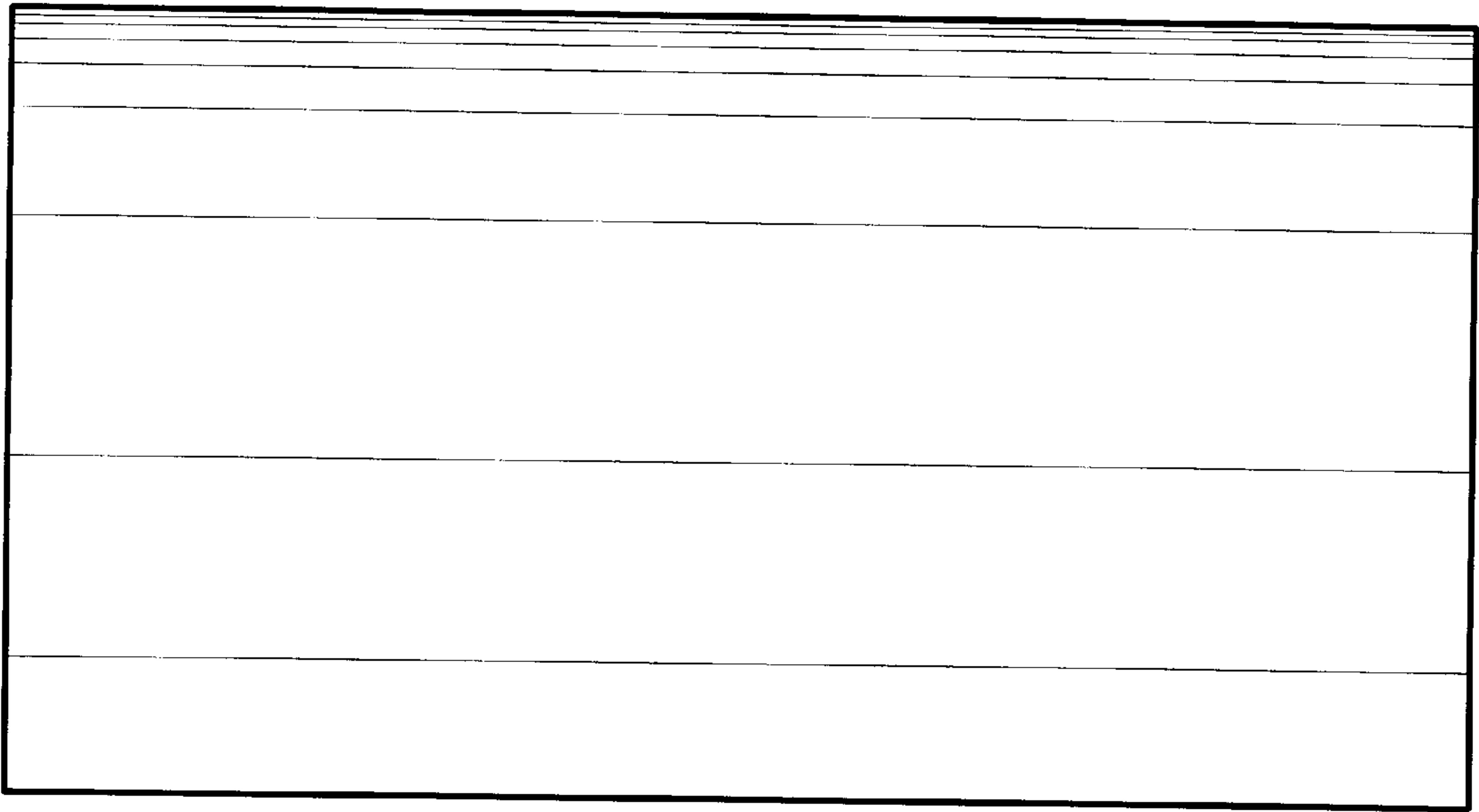


FIG 5

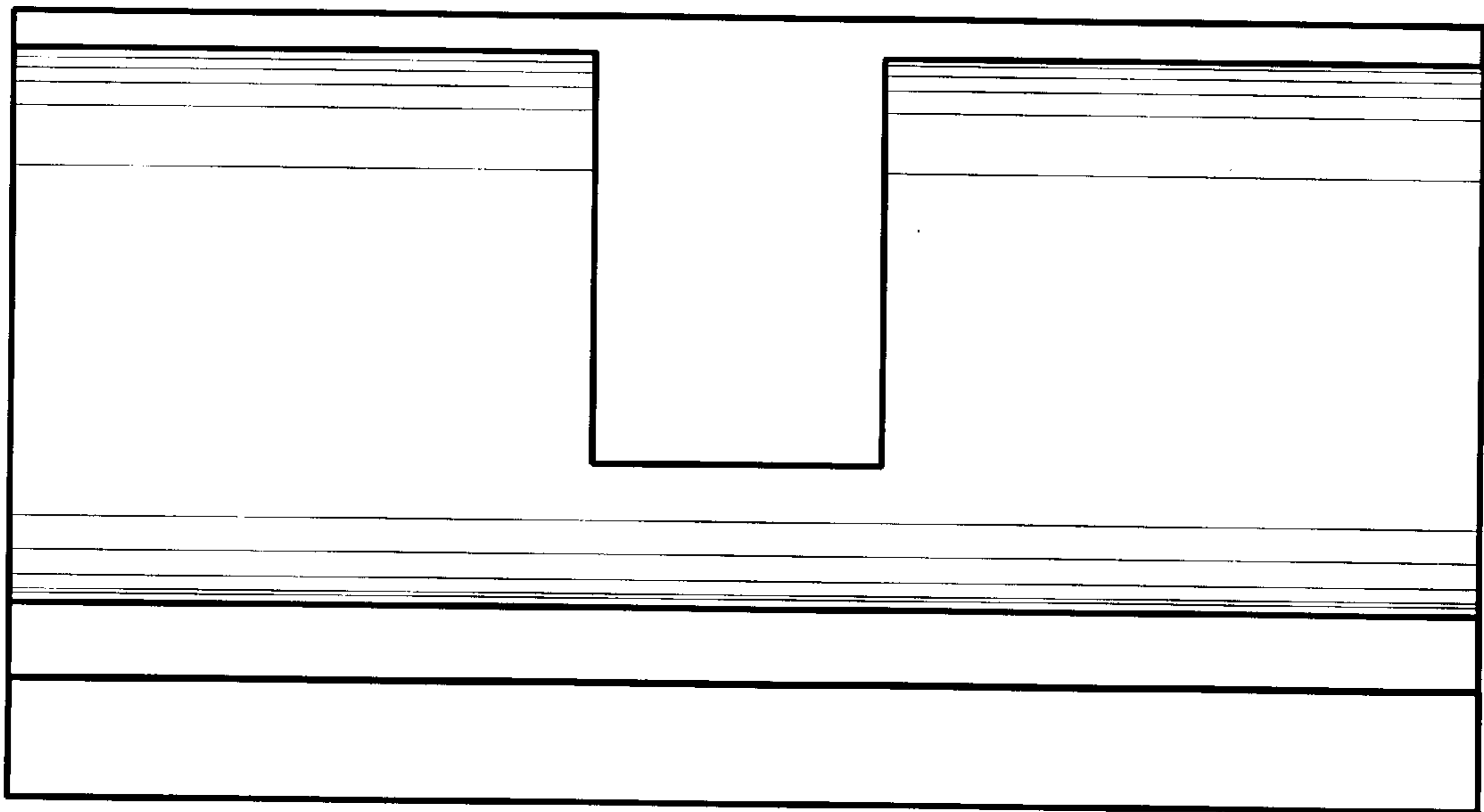


FIG 6

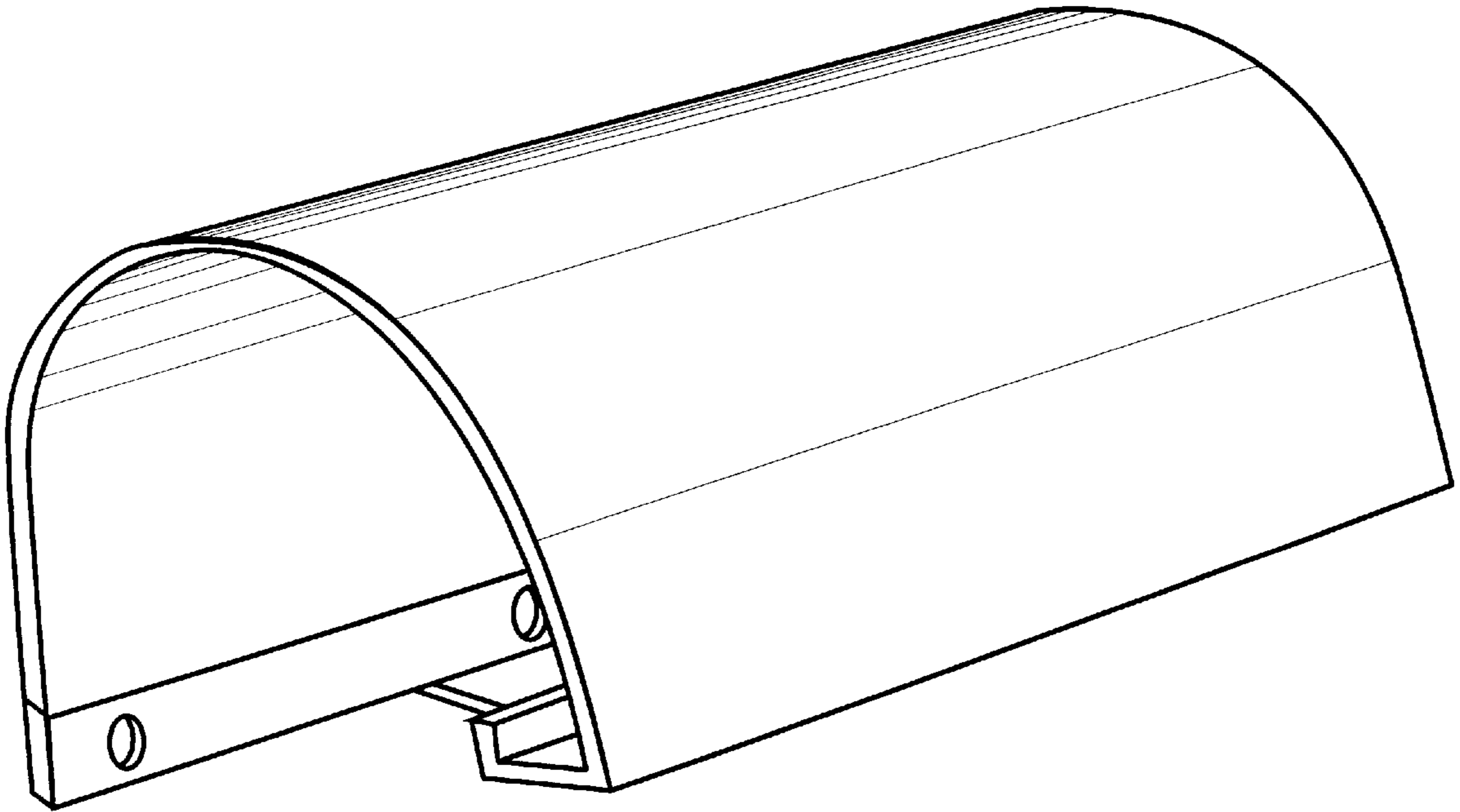


FIG 7