



US00D410279S

United States Patent [19]

Tani et al.

[11] Patent Number: **Des. 410,279**

[45] Date of Patent: **** May 25, 1999**

[54] **WATER CLOSET**

[75] Inventors: **Minoru Tani; Hisayoshi Sakai**, both of Kitakyushu, Japan

[73] Assignee: **Toto Ltd.**, Japan

[**] Term: **14 Years**

[21] Appl. No.: **29/093,285**

[22] Filed: **Sep. 8, 1998**

D. 323,551	1/1992	Fait	D23/301
D. 346,854	5/1994	Reid	D23/301
D. 370,720	6/1996	Kaiser	D23/301
D. 379,496	5/1997	Kawamura et al.	D23/301
D. 393,059	3/1998	Garro	D23/301

FOREIGN PATENT DOCUMENTS

839456 6/1992 Japan .

Primary Examiner—Louis S. Zarfes
Assistant Examiner—Eric Watterson
Attorney, Agent, or Firm—Finnegan, Henderson, Farabow, Garrett & Dunner, L.L.P.

Related U.S. Application Data

[62] Division of application No. 29/072,371, Jun. 16, 1997.

Foreign Application Priority Data

Dec. 17, 1996 [JP] Japan 8-038407

[51] **LOC (6) Cl.** **23-02**

[52] **U.S. Cl.** **D23/301**

[58] **Field of Search** D23/295, 298,
D23/299, 300, 301; 4/353, 421, 424, 428,
430

References Cited

U.S. PATENT DOCUMENTS

D. 275,417	9/1984	Stairs, Jr.	D23/65
D. 296,817	7/1988	Holscher	D23/301
D. 314,236	1/1991	Ament	D23/301

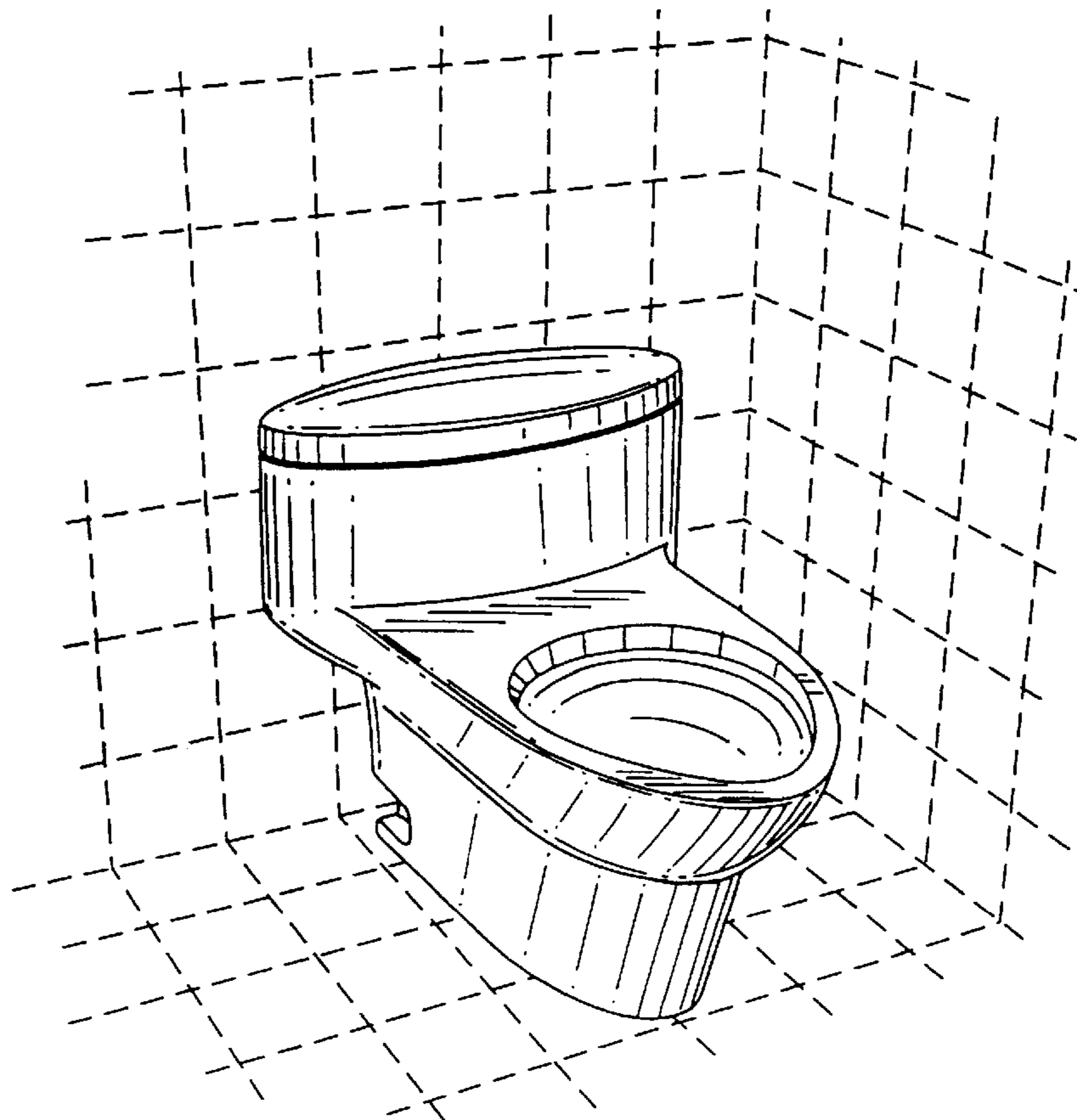
[57] CLAIM

The ornamental design for a water closet, as shown and described.

DESCRIPTION

FIG. 1 is a front view of a water closet embodying our design;
FIG. 2 is a top view thereof;
FIG. 3 is a left side view thereof, the right side being a mirror image of the left side; and,
FIG. 4 is a perspective view thereof.
The dotted lines shown in FIG. 4 are for purposes of showing environment only and form no part of the claimed design.

1 Claim, 2 Drawing Sheets



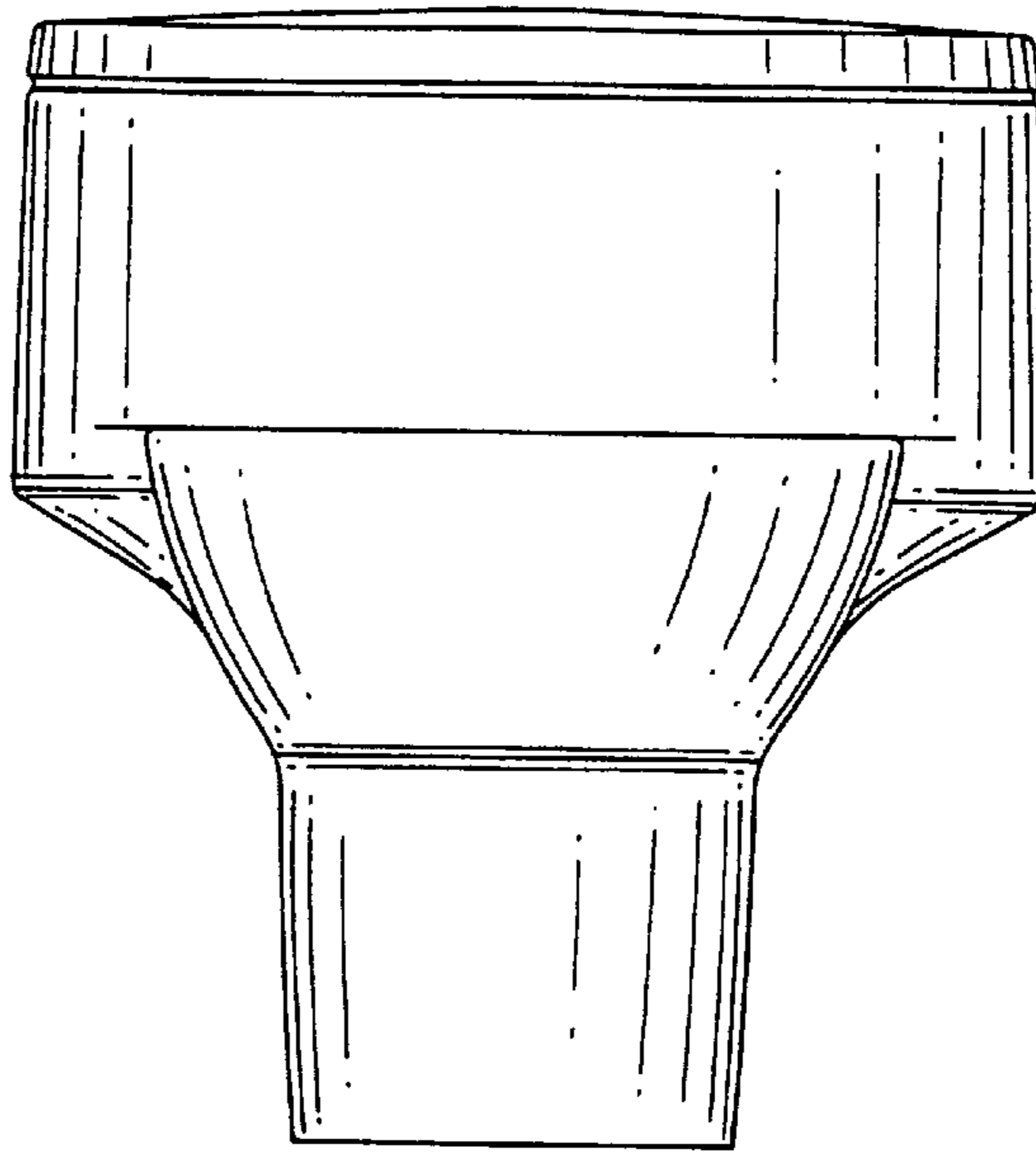


FIG. 1

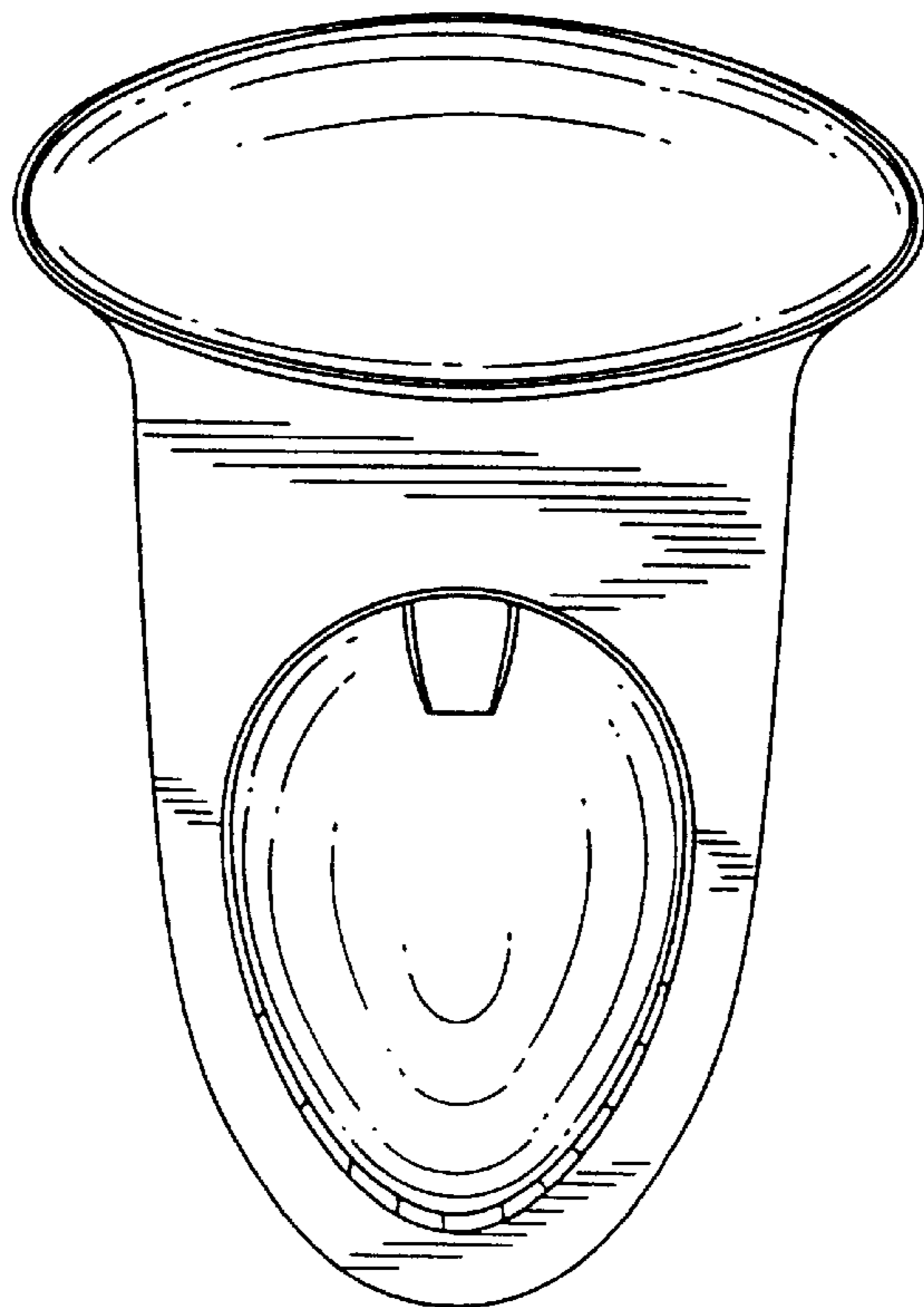


FIG. 2

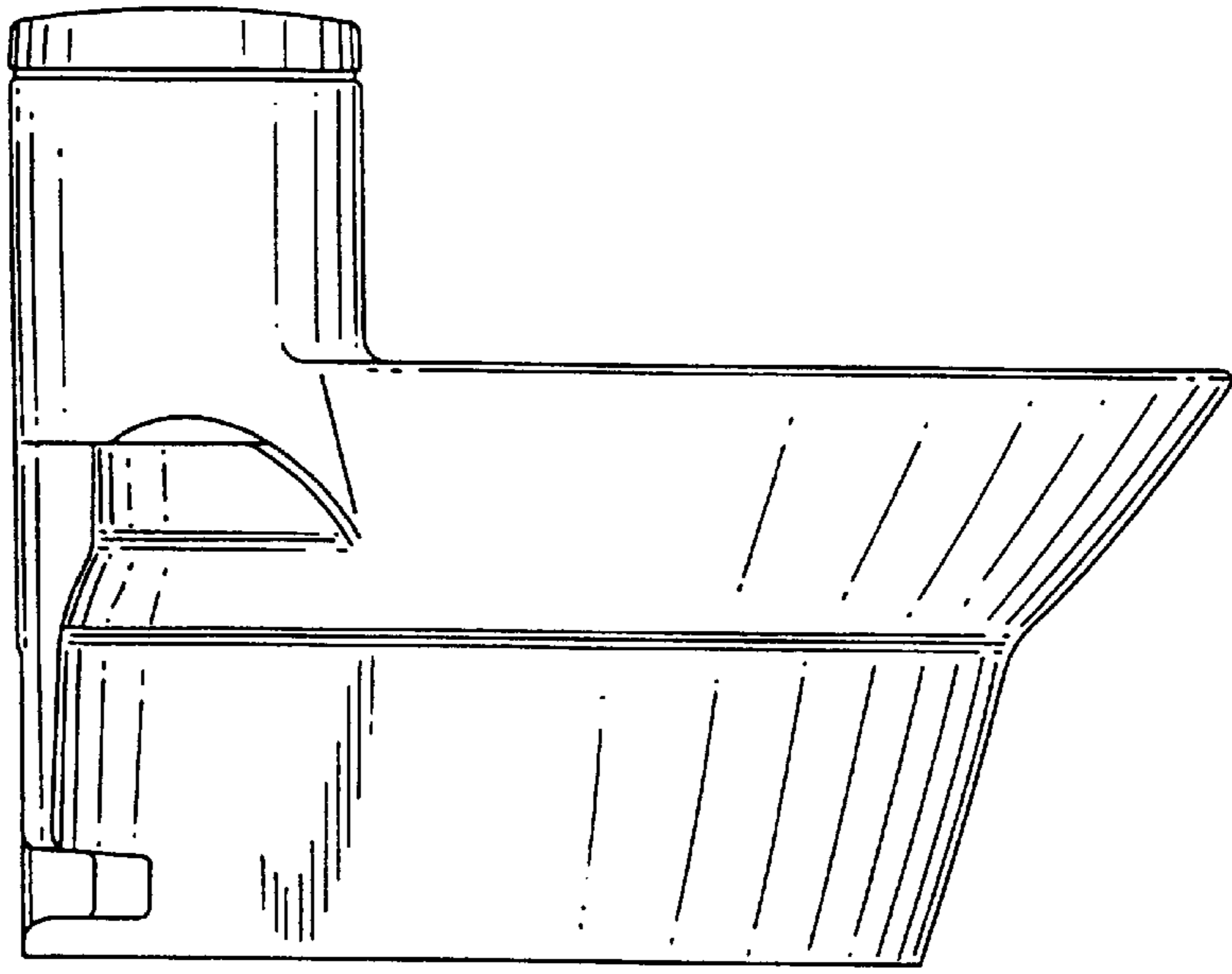


FIG. 3

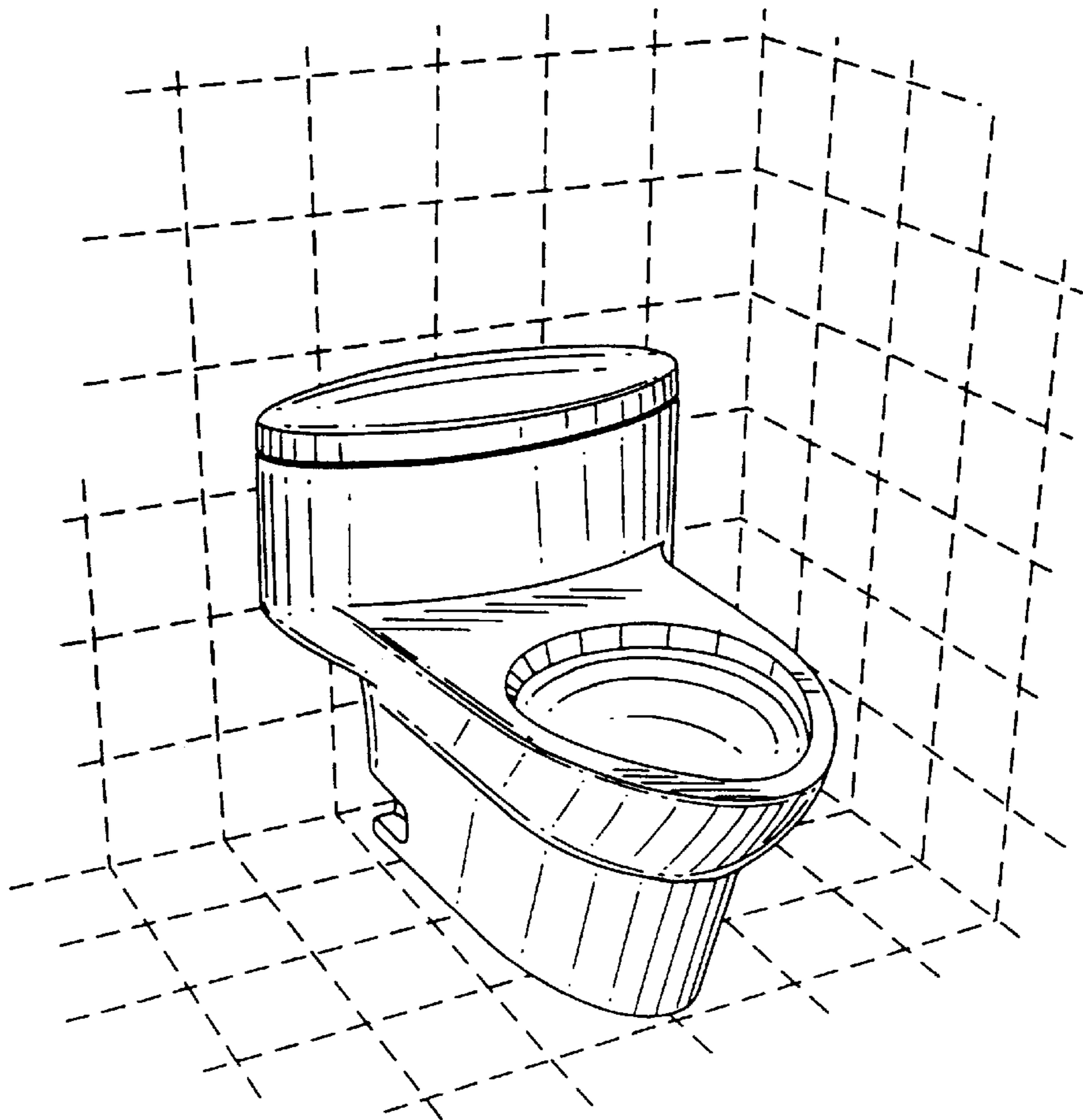


FIG. 4