



US00D410275S

United States Patent [19]
Lipshitz

[11] **Patent Number: Des. 410,275**

[45] **Date of Patent: ** May 25, 1999**

[54] **SHOWER HANDLE**

[75] Inventor: **Gidon Lipshitz**, Rishon le Zion, Israel

[73] Assignee: **Unitrol Amcor Ltd.**, Rehovot, Israel

[**] Term: **14 Years**

[21] Appl. No.: **29/086,084**

[22] Filed: **Apr. 6, 1998**

[30] **Foreign Application Priority Data**

Oct. 6, 1997 [IL] Israel 28720

[51] **LOC (6) Cl.** **23-01**

[52] **U.S. Cl.** **D23/223**

[58] **Field of Search** D23/213, 223,
D23/226; 239/525-528

[56] **References Cited**

U.S. PATENT DOCUMENTS

D. 224,834 9/1972 Landell D23/223

D. 379,212 5/1997 Chan D23/223
D. 385,332 10/1997 Andrus D23/223
D. 398,953 9/1998 Andrus et al. D23/223

Primary Examiner—Alan P. Douglas
Assistant Examiner—Robin V. Taylor
Attorney, Agent, or Firm—Nixon & Vanderhye P.C.

[57] **CLAIM**

The ornamental design for a shower handle, as shown and described.

DESCRIPTION

FIG. 1 is a bottom view of a shower handle according to my design;

FIG. 2 is a top view thereof;

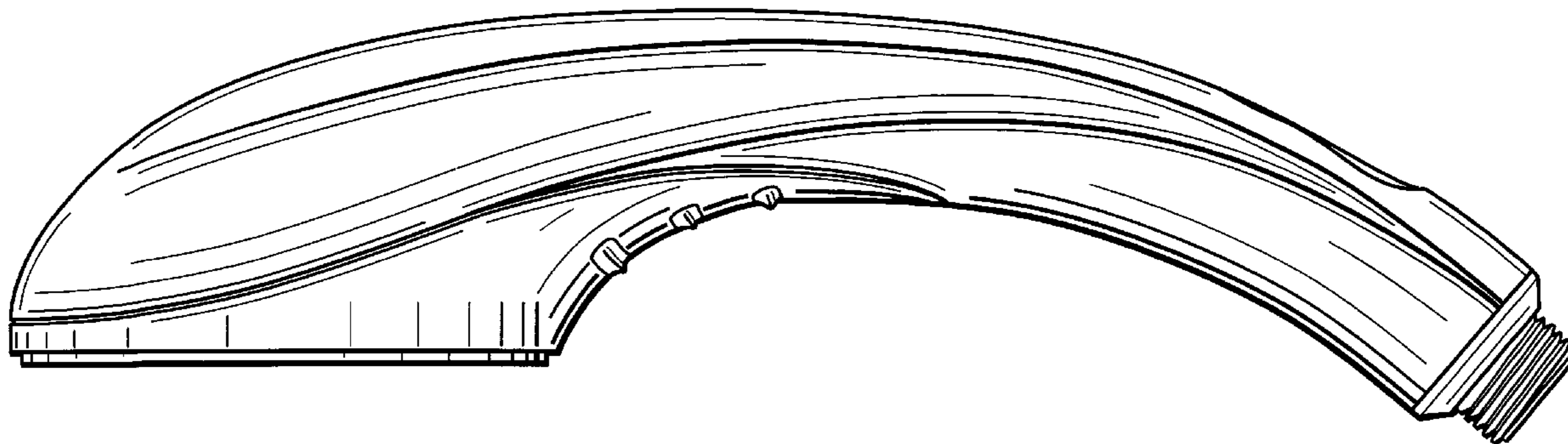
FIG. 3 is a front view thereof;

FIG. 4 is a rear view thereof;

FIG. 5 is a right side view thereof; and,

FIG. 6 is a left side view thereof.

1 Claim, 3 Drawing Sheets



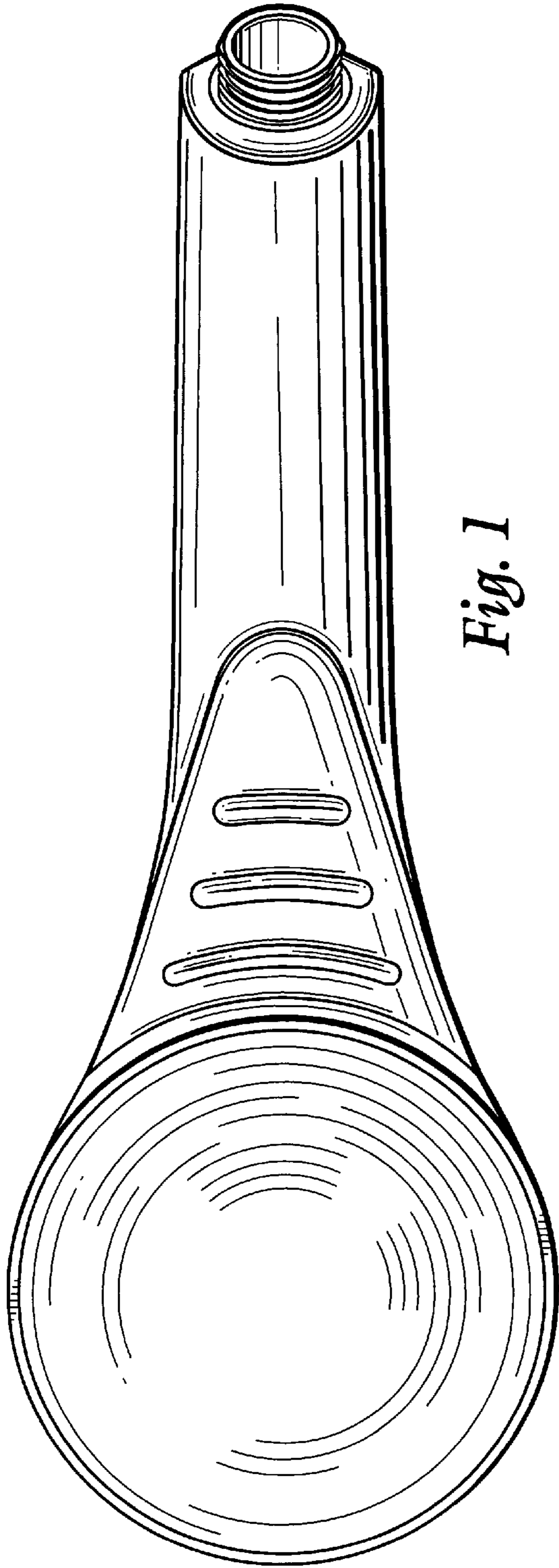


Fig. 1

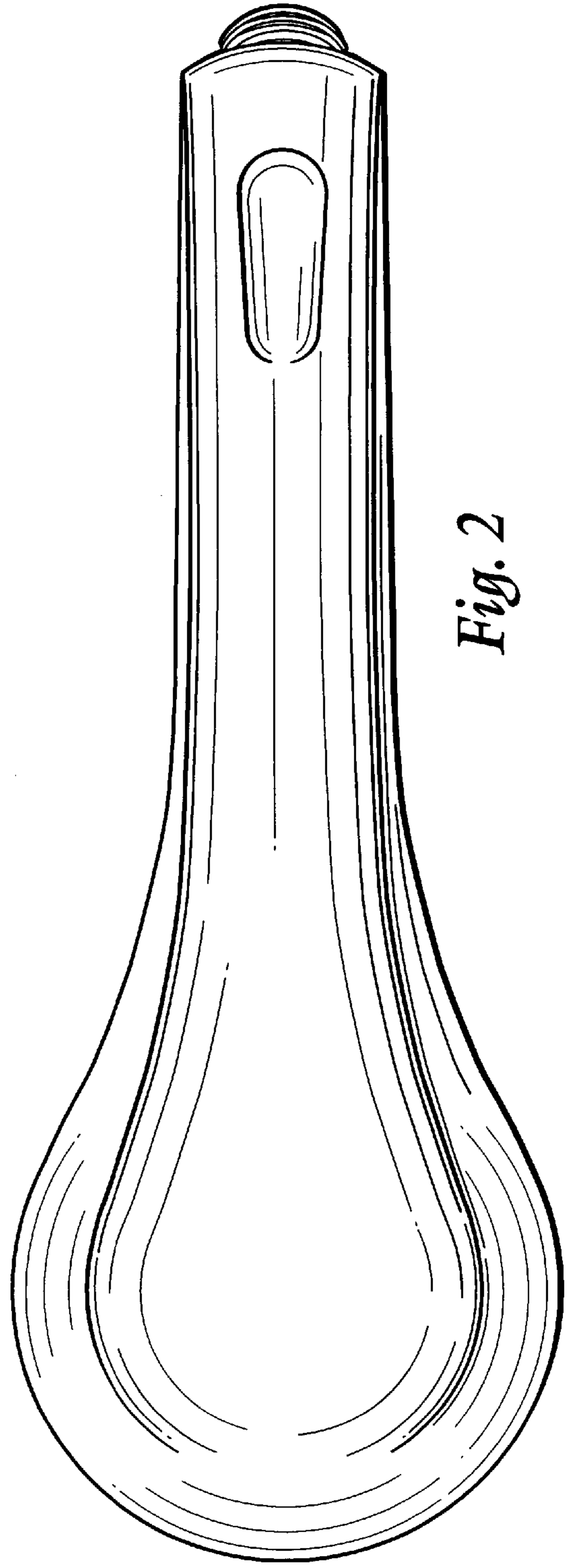


Fig. 2

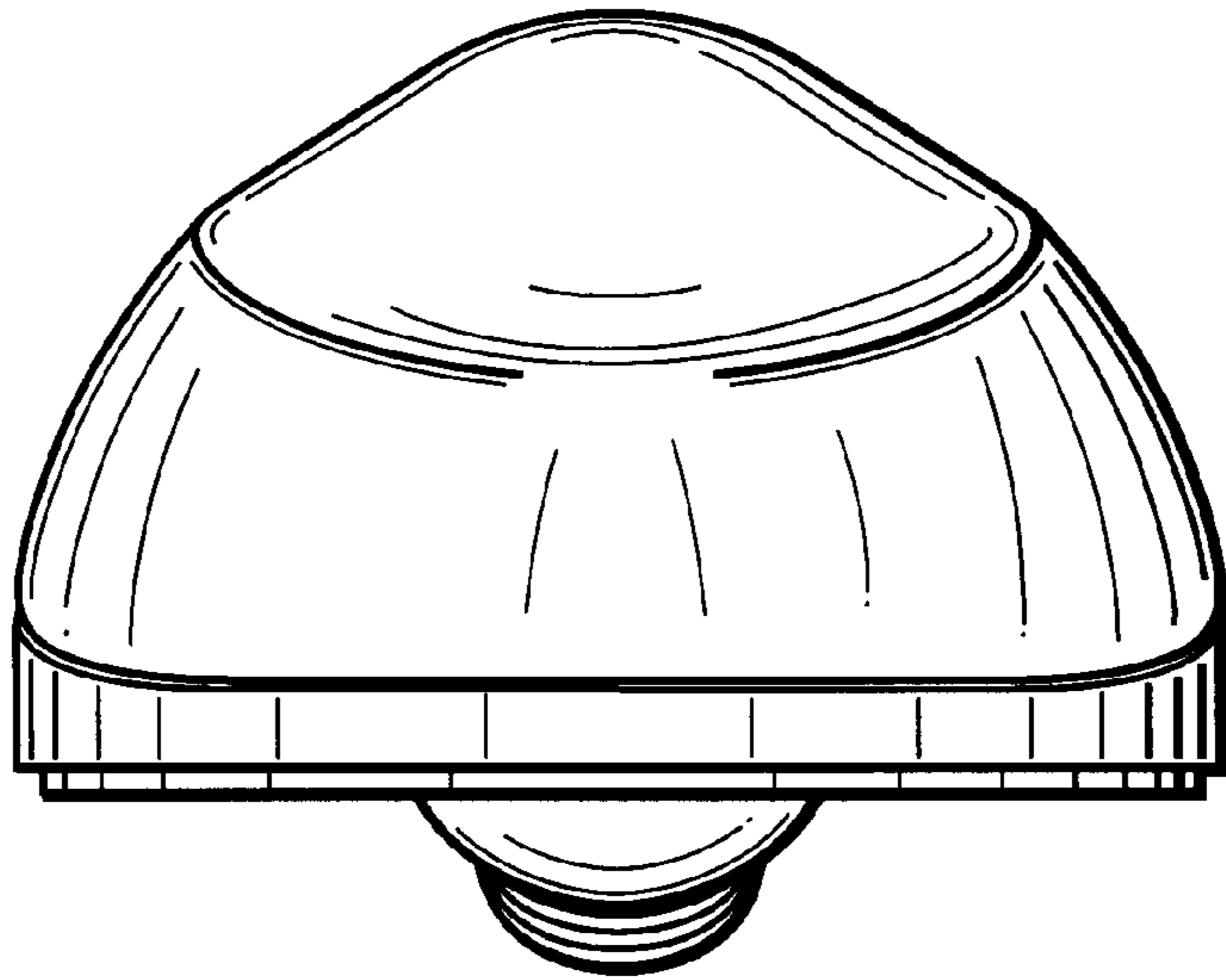


Fig. 3

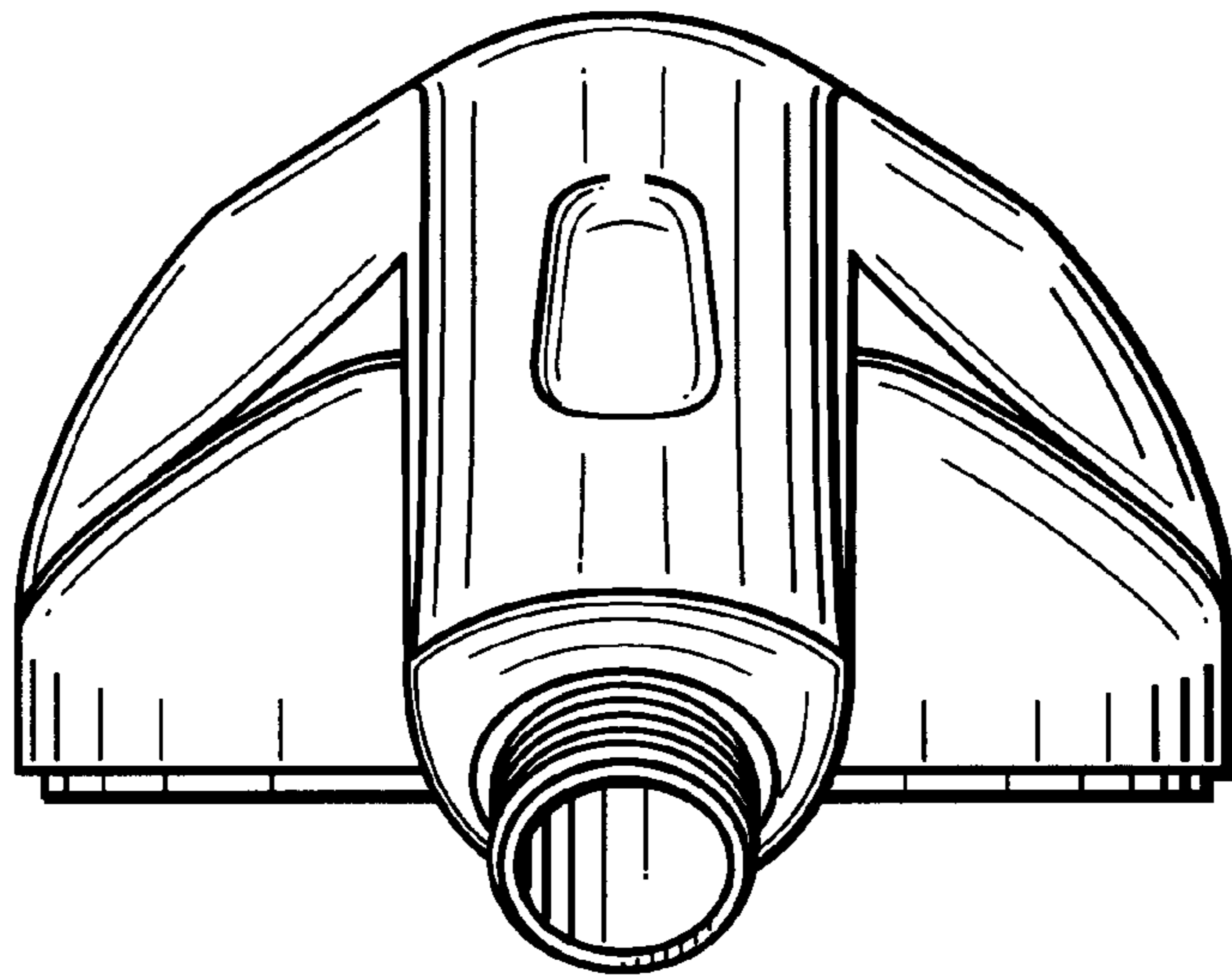


Fig. 4



Fig. 5



Fig. 6