



US00D410270S

United States Patent [19] Summers

[11] **Patent Number: Des. 410,270**

[45] **Date of Patent: ** May 25, 1999**

[54] **GOLF BAG CRADLE**

[76] Inventor: **Edward E. Summers**, 1224 Westwood La., New Albany, Ind. 47150

[**] Term: **14 Years**

[21] Appl. No.: **29/089,894**

[22] Filed: **Jun. 25, 1998**

[51] **LOC (6) Cl.** **21-02**

[52] **U.S. Cl.** **D21/796**

[58] **Field of Search** D21/796, 789; 248/96, 97; D6/552; 473/282, 287; 206/315.3, 315.7

4,691,884 9/1987 Parduhn 248/96
 5,456,355 10/1995 Usswald et al. 206/315.7
 5,464,180 11/1995 Cheng 248/96
 5,465,930 11/1995 Wu 248/96
 5,474,176 12/1995 Sherkkan 206/315.7

Primary Examiner—Mitchell I. Siegel
Attorney, Agent, or Firm—John D. Gugliotta

[57] CLAIM

The ornamental design for a golf bag cradle, as shown and described.

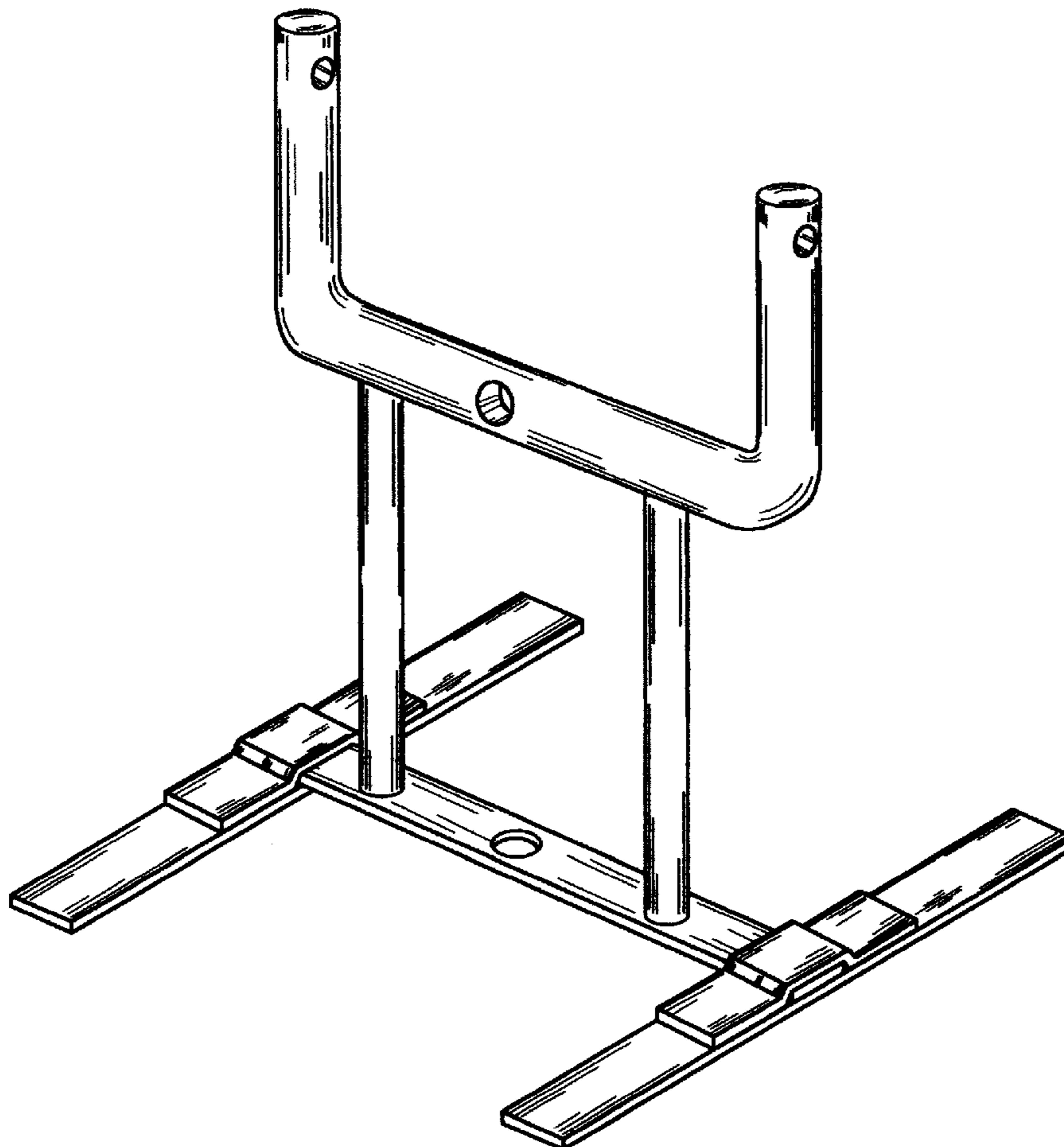
DESCRIPTION

FIG. 1 is a perspective view of a golf bag cradle showing my new design;
 FIG. 2 is a perspective view of a second embodiment of the golf bag cradle disclosed in FIG. 1;
 FIG. 3 is a reduced perspective view of FIG. 1, the broken line showing of a golf bag is for illustrative purposes only and forms no part of the claimed design;
 FIG. 4 is a front elevational view of FIG. 1;
 FIG. 5 is a rear elevational view of FIG. 1;
 FIG. 6 is a side elevational view of FIG. 1, the undisclosed opposite side being identical;
 FIG. 7 is a top plan view of FIG. 1; and,
 FIG. 8 is a bottom plan view of FIG. 1.

[56] **References Cited**
 U.S. PATENT DOCUMENTS

D. 312,016	11/1990	Montgomery	D6/552
D. 335,994	6/1993	Cude, Jr.	D6/552
D. 372,287	7/1996	Sofie et al.	D21/789
1,170,891	2/1916	Graf .		
1,978,230	10/1934	Schutes	150/1.5
2,672,311	3/1954	Schiele	248/96
3,432,130	3/1969	Breedlove et al.	248/96
3,435,866	4/1969	Cantwell	150/1.5
4,087,068	5/1978	Gardner	248/96
4,226,389	10/1980	Neth	248/96

1 Claim, 6 Drawing Sheets



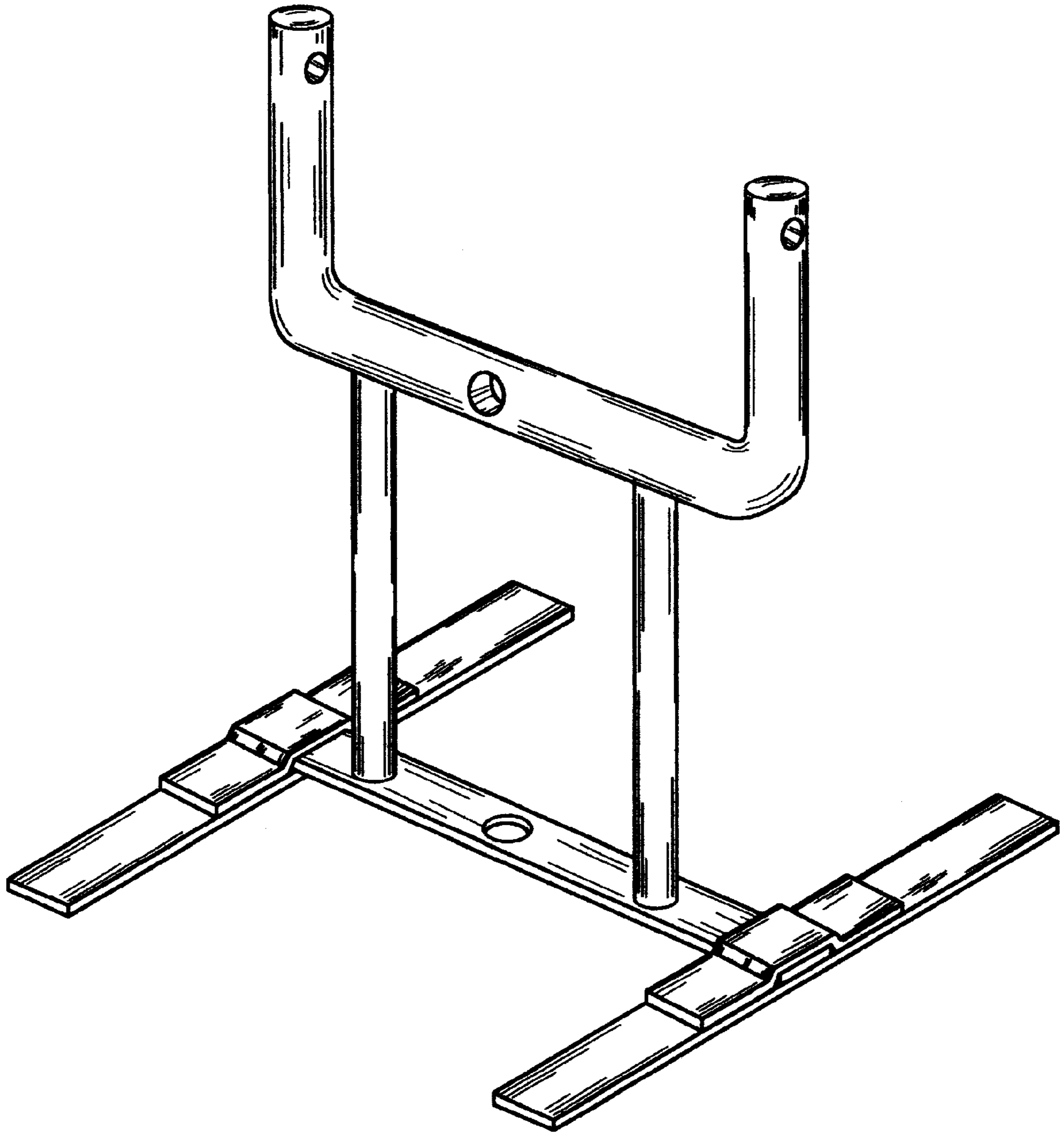


Figure 1

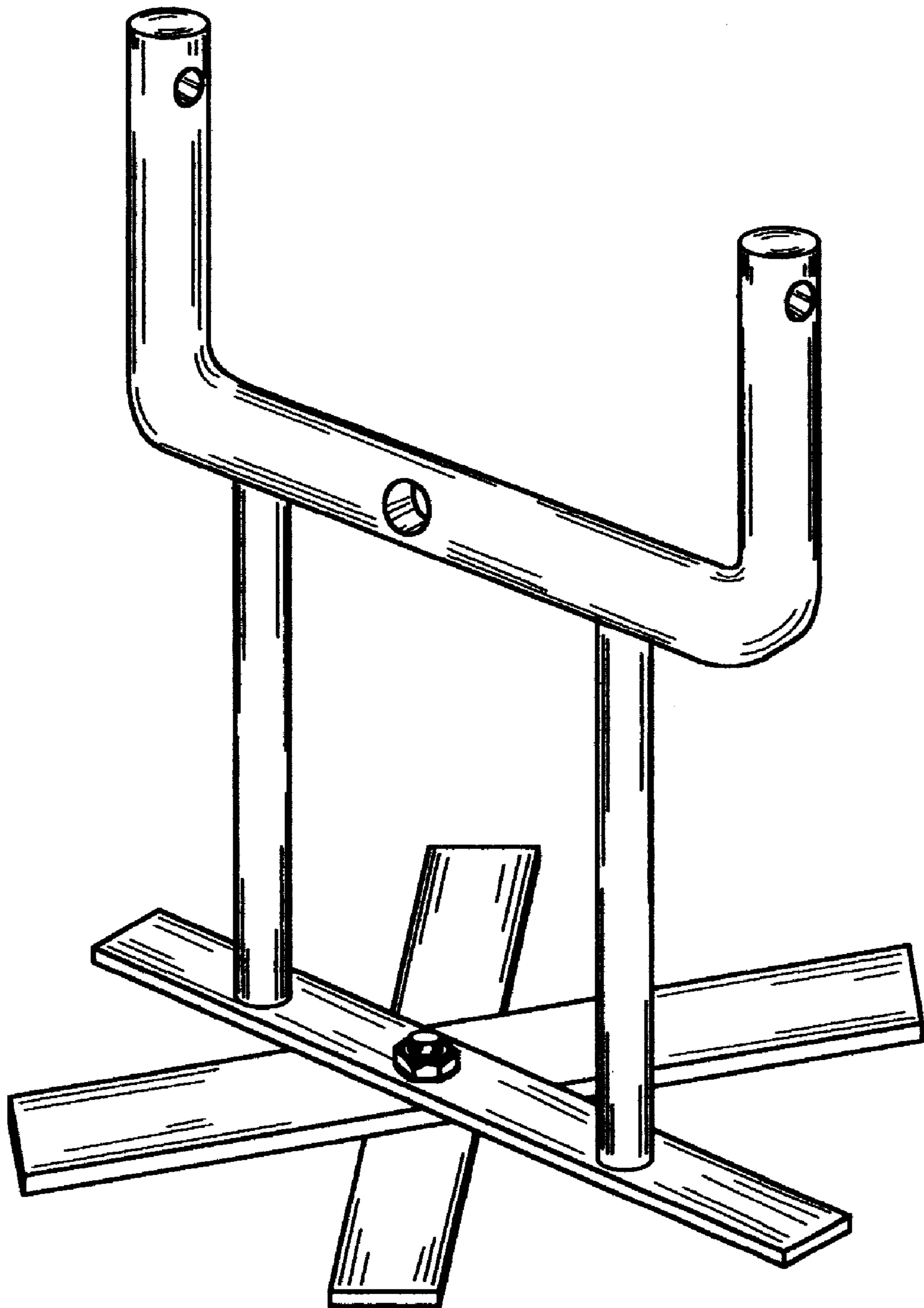


Figure 2

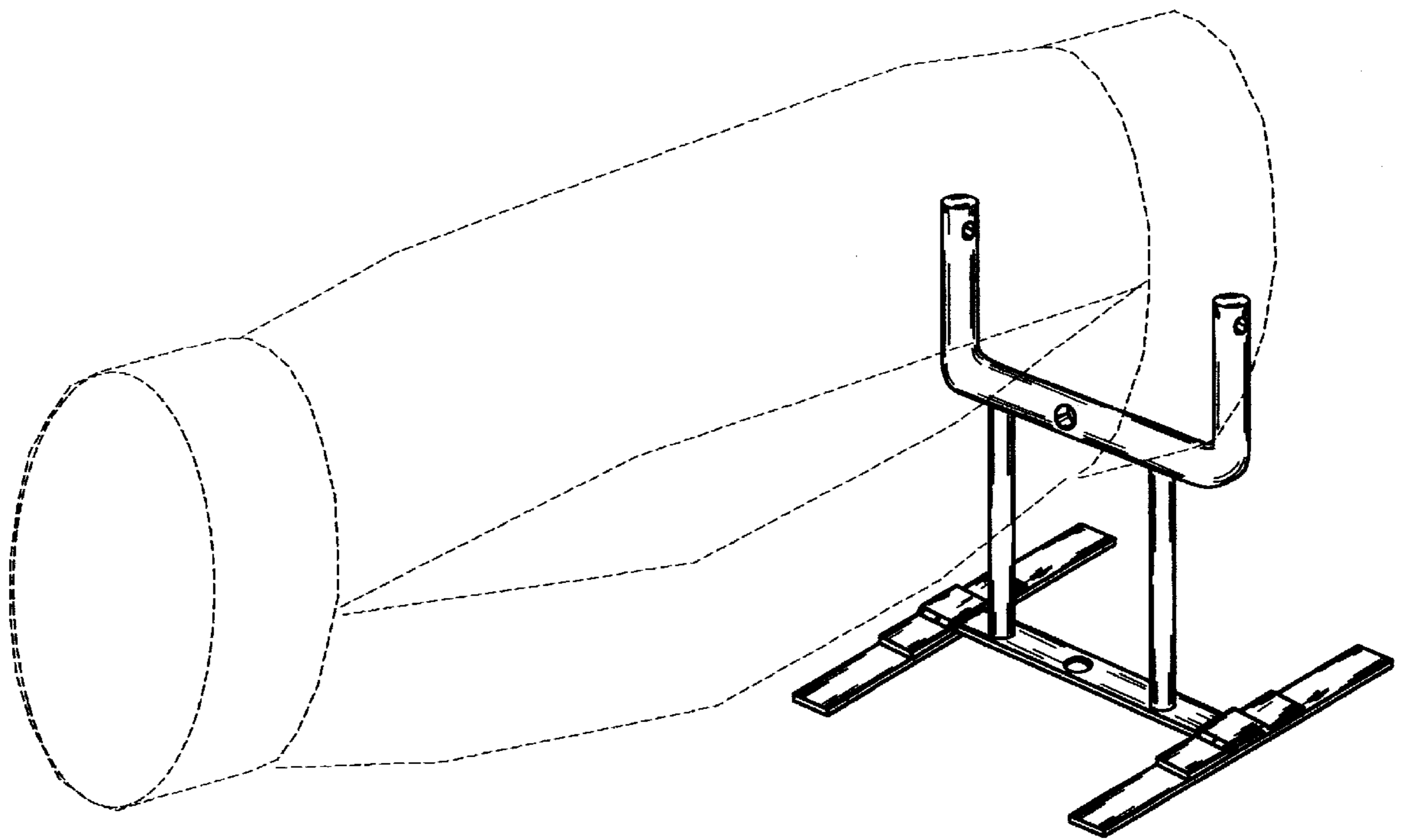


Figure 3

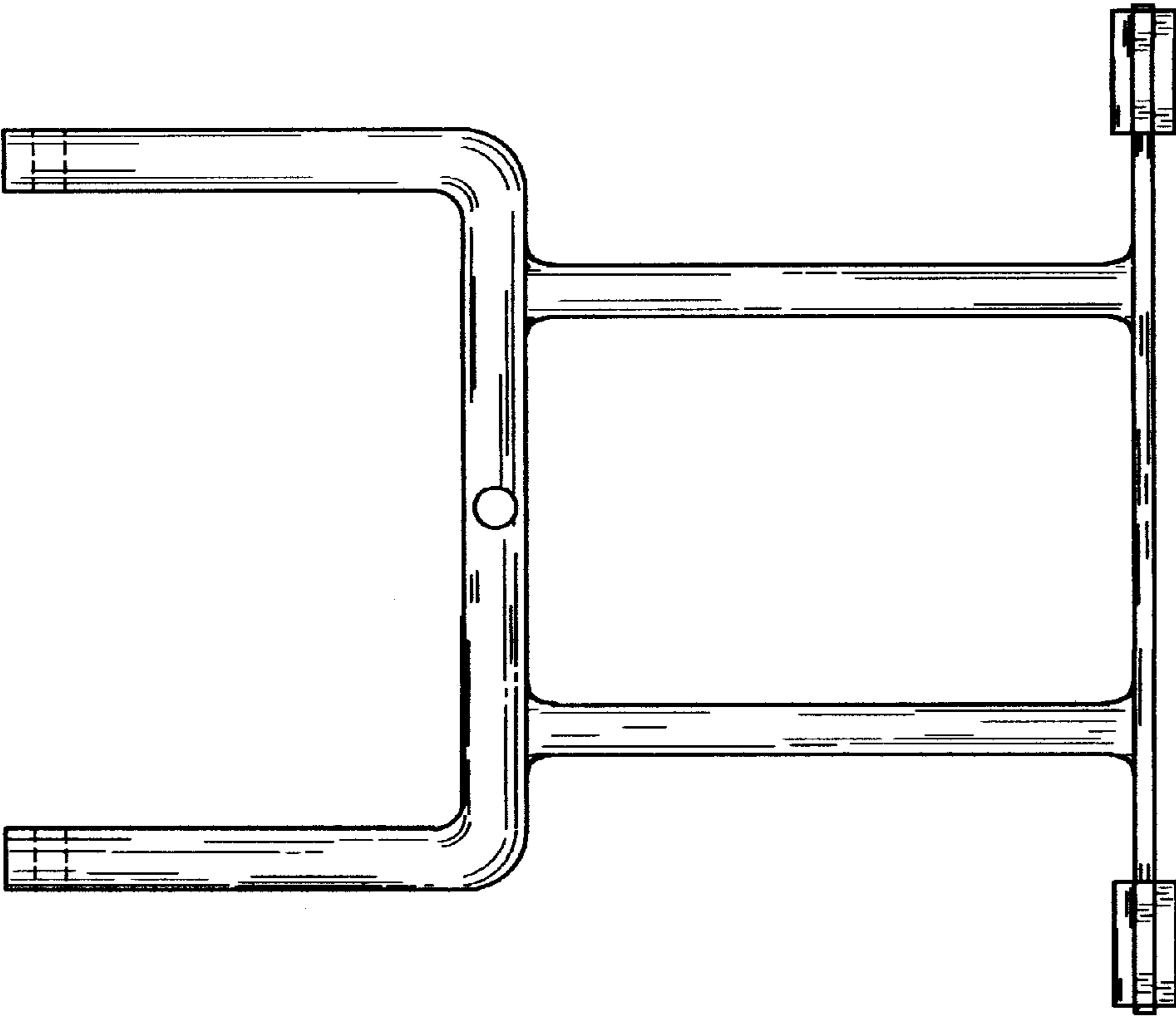


Figure 5

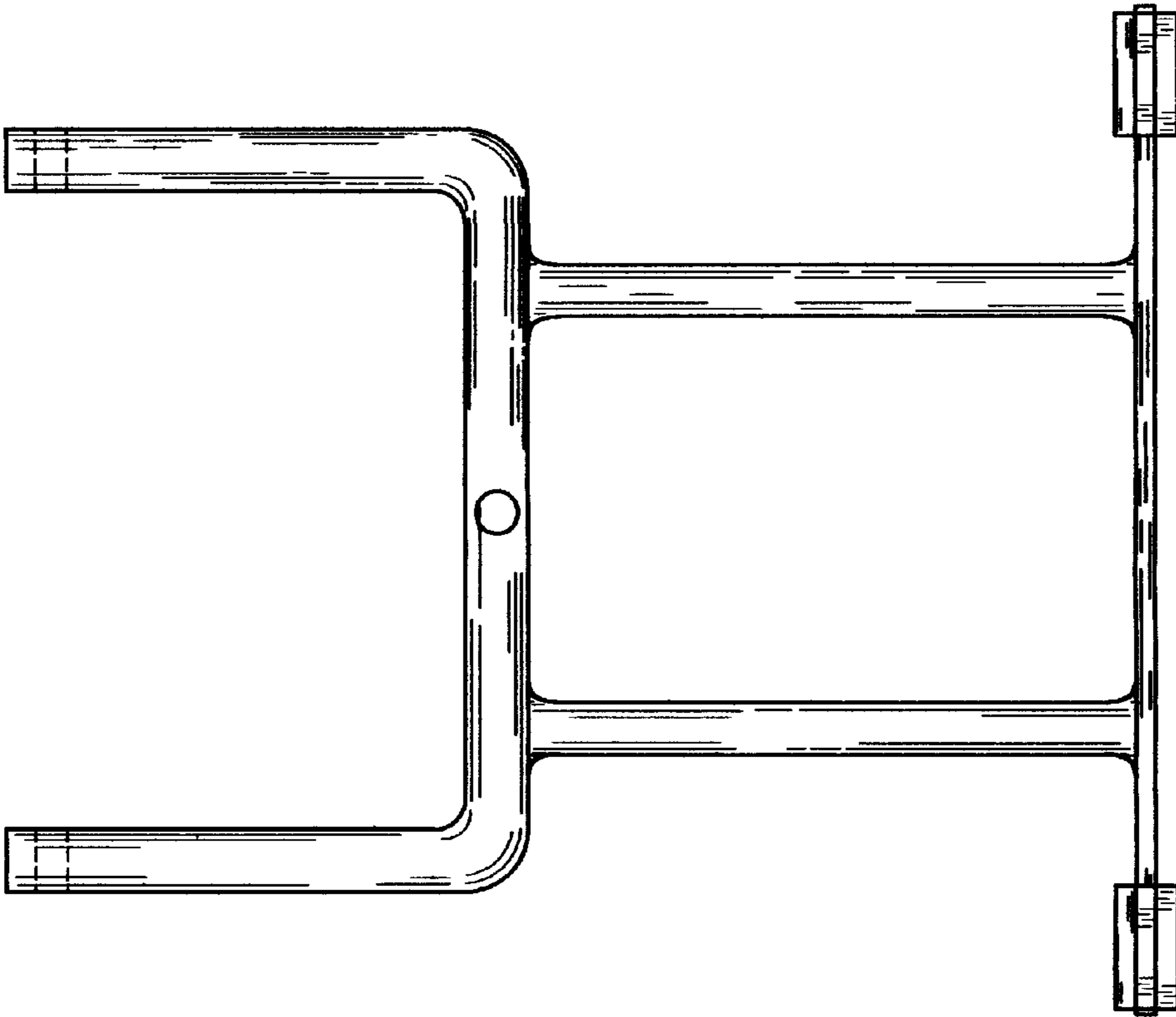


Figure 4

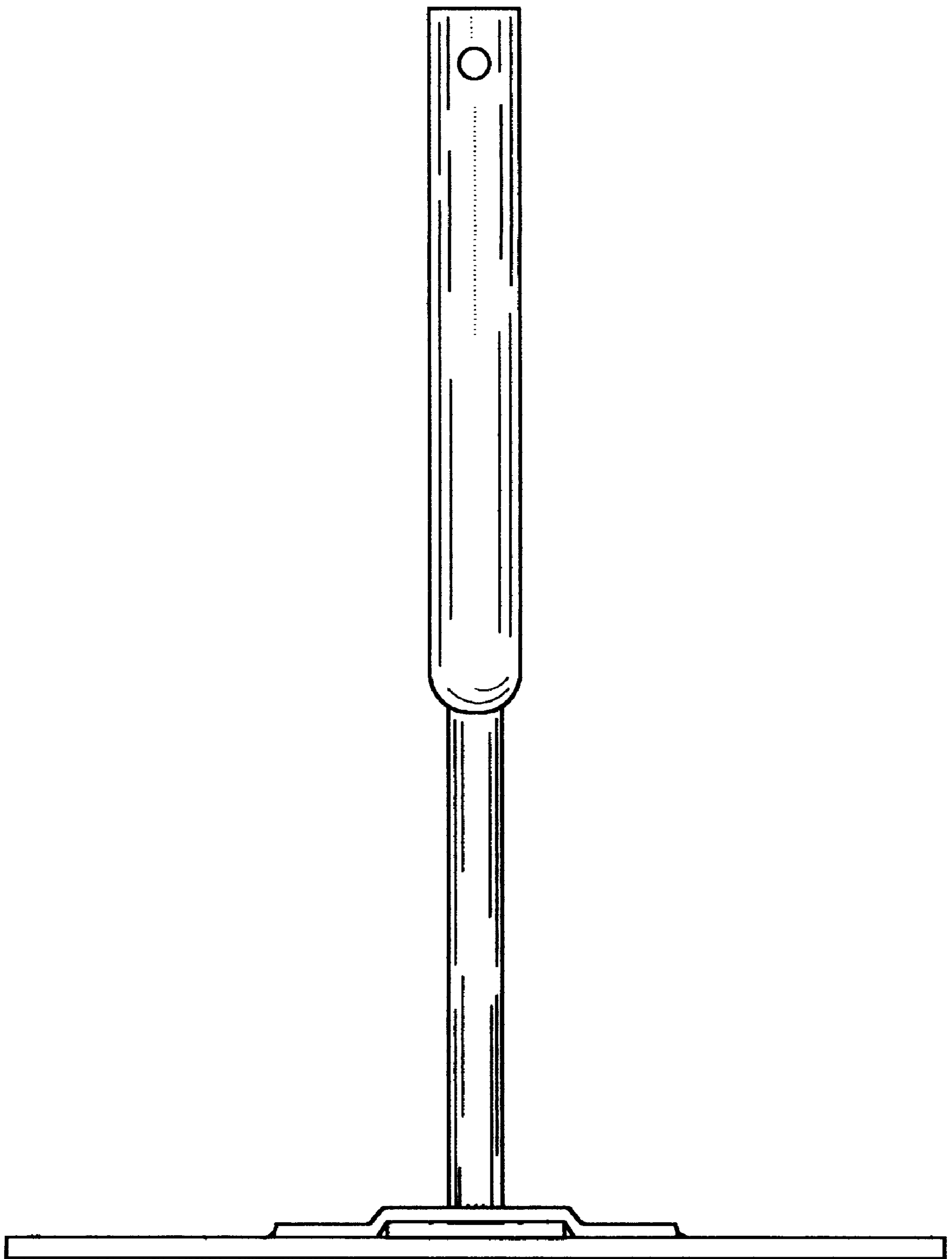


Figure 6

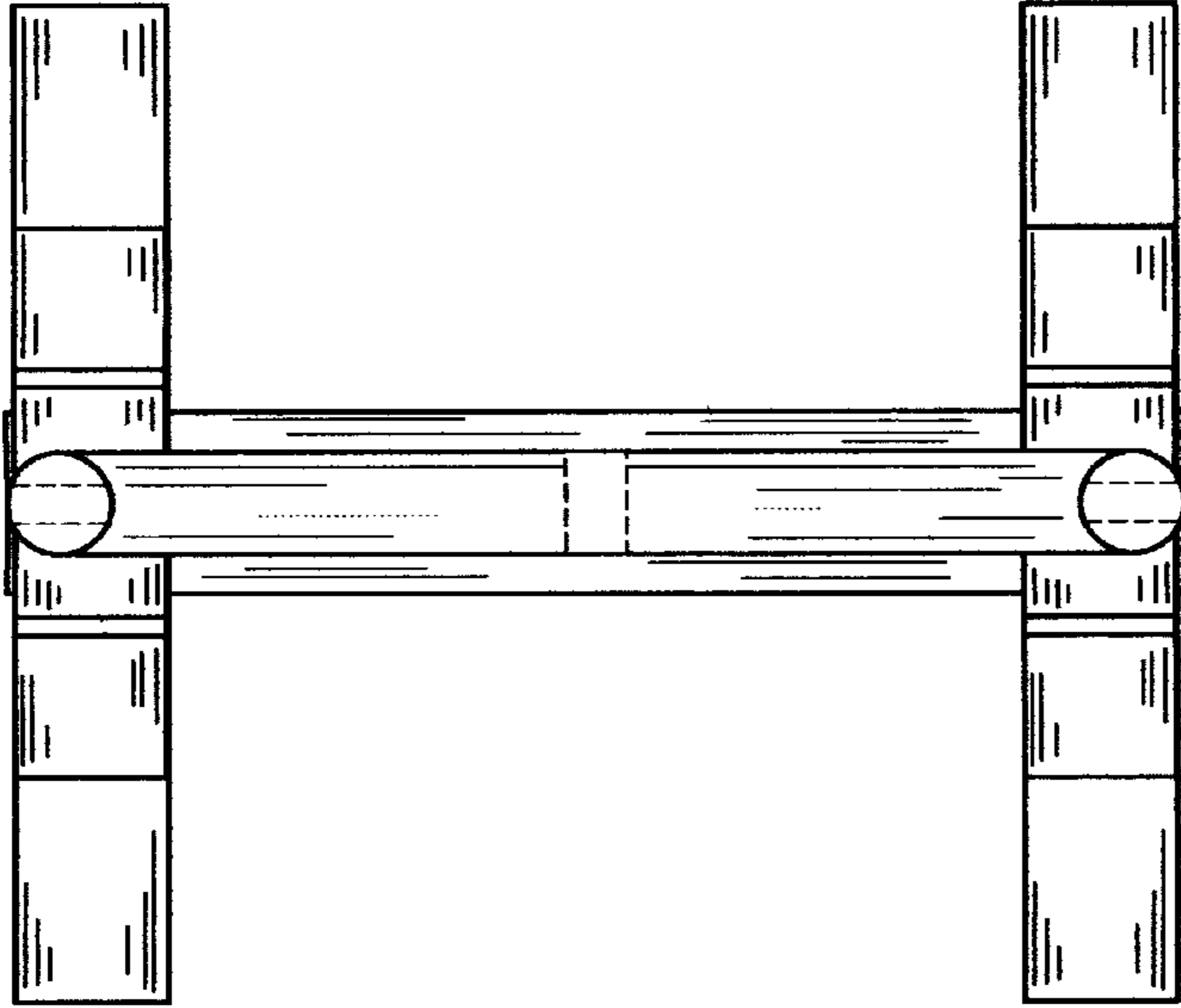


Figure 7

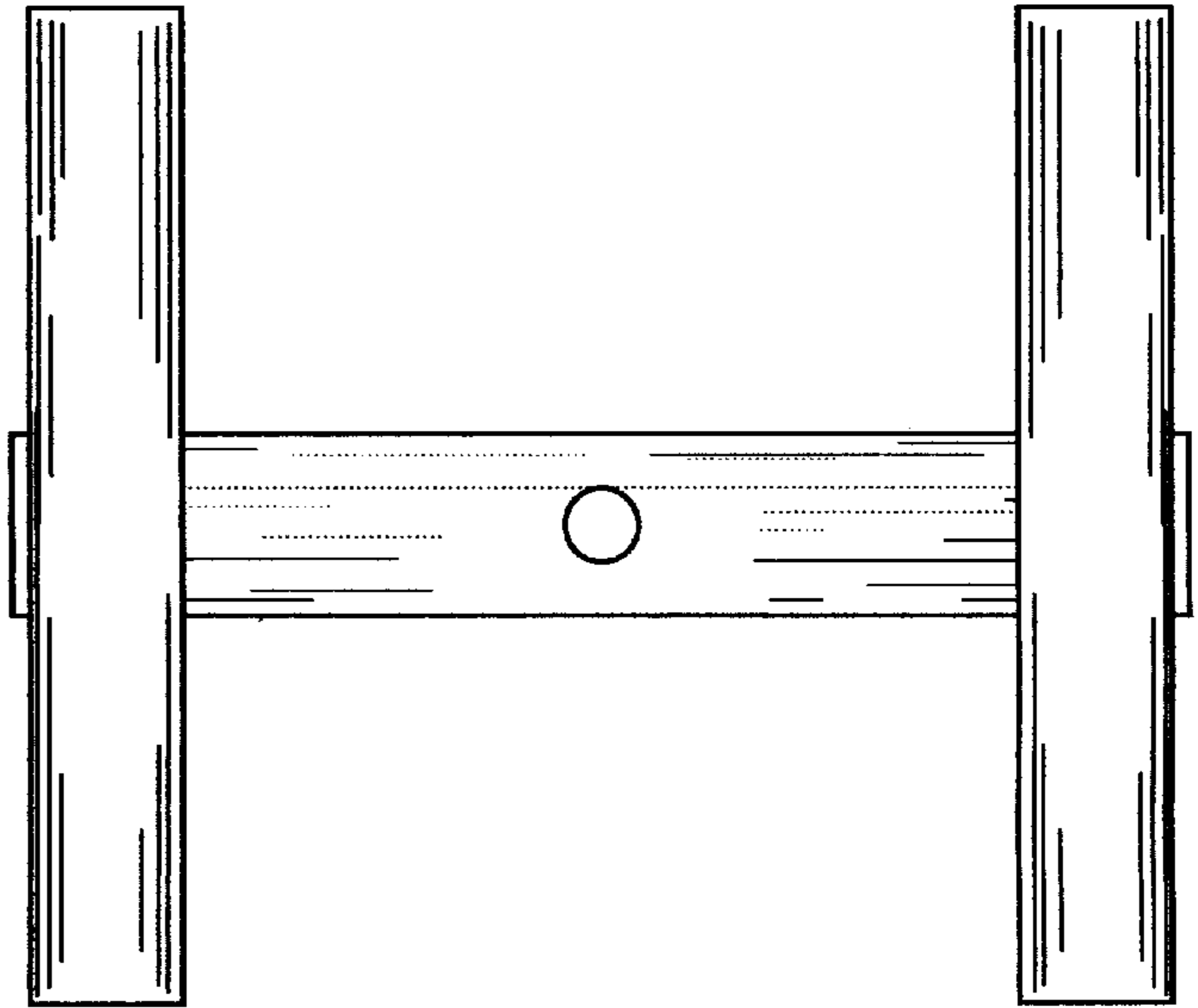


Figure 8