



US00D410268S

United States Patent [19] Yung

[11] **Patent Number: Des. 410,268**

[45] **Date of Patent: ** May 25, 1999**

[54] **ROLLER SKATE**

[75] Inventor: **Chi Kay Yung**, Hong Kong, China

[73] Assignee: **Grace A.J. Manufacturing Co. Ltd.**,
Tsuen Wan, The Hong Kong Special
Administrative Region of the People's
Republic of China

[**] Term: **14 Years**

[21] Appl. No.: **29/093,635**

[22] Filed: **Sep. 15, 1998**

[51] **LOC (6) Cl.** **21-02**

[52] **U.S. Cl.** **D21/763**

[58] **Field of Search** D21/760, 763,
D21/764; 280/11.19, 11.2, 11.22, 11.23,
11.27; 301/5.3, 5.7

[56] **References Cited**

U.S. PATENT DOCUMENTS

D. 233,537 11/1974 Horner D21/763

D. 315,940	4/1991	Wehmeyer	D21/763
D. 337,365	7/1993	Gertler	D21/764
D. 344,316	2/1994	Gertler	D21/764
D. 347,237	5/1994	Robjent et al.	D21/763
D. 373,609	9/1996	Santarsiero et al.	D21/763
4,932,676	6/1990	Klamer	280/11.2

Primary Examiner—Sandra L. Morris
Attorney, Agent, or Firm—Alix, Yale & Ristas, LLP

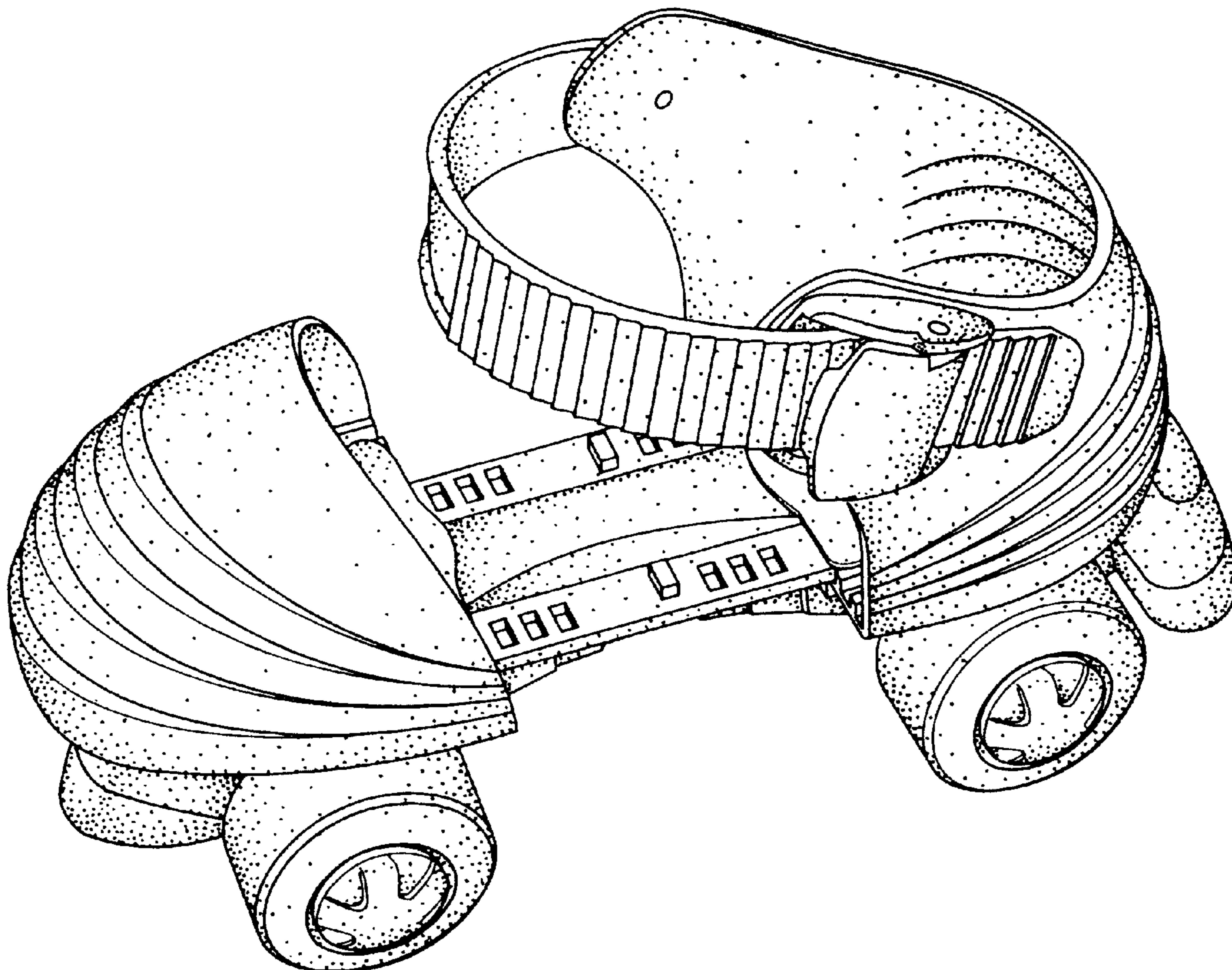
[57] **CLAIM**

The ornamental design for a roller skate, as shown and described.

DESCRIPTION

FIG. 1 is a perspective view of a roller skate showing my new design;
FIG. 2 is a right side view of the roller skate of FIG. 1;
FIG. 3 is a left side view of the roller skate of FIG. 1;
FIG. 4 is a front view of the roller skate of FIG. 1;
FIG. 5 is a rear view of the roller skate of FIG. 1;
FIG. 6 is a top plan view of the roller skate of FIG. 1; and,
FIG. 7 is a bottom plan view of the roller skate of FIG. 1.

1 Claim, 4 Drawing Sheets



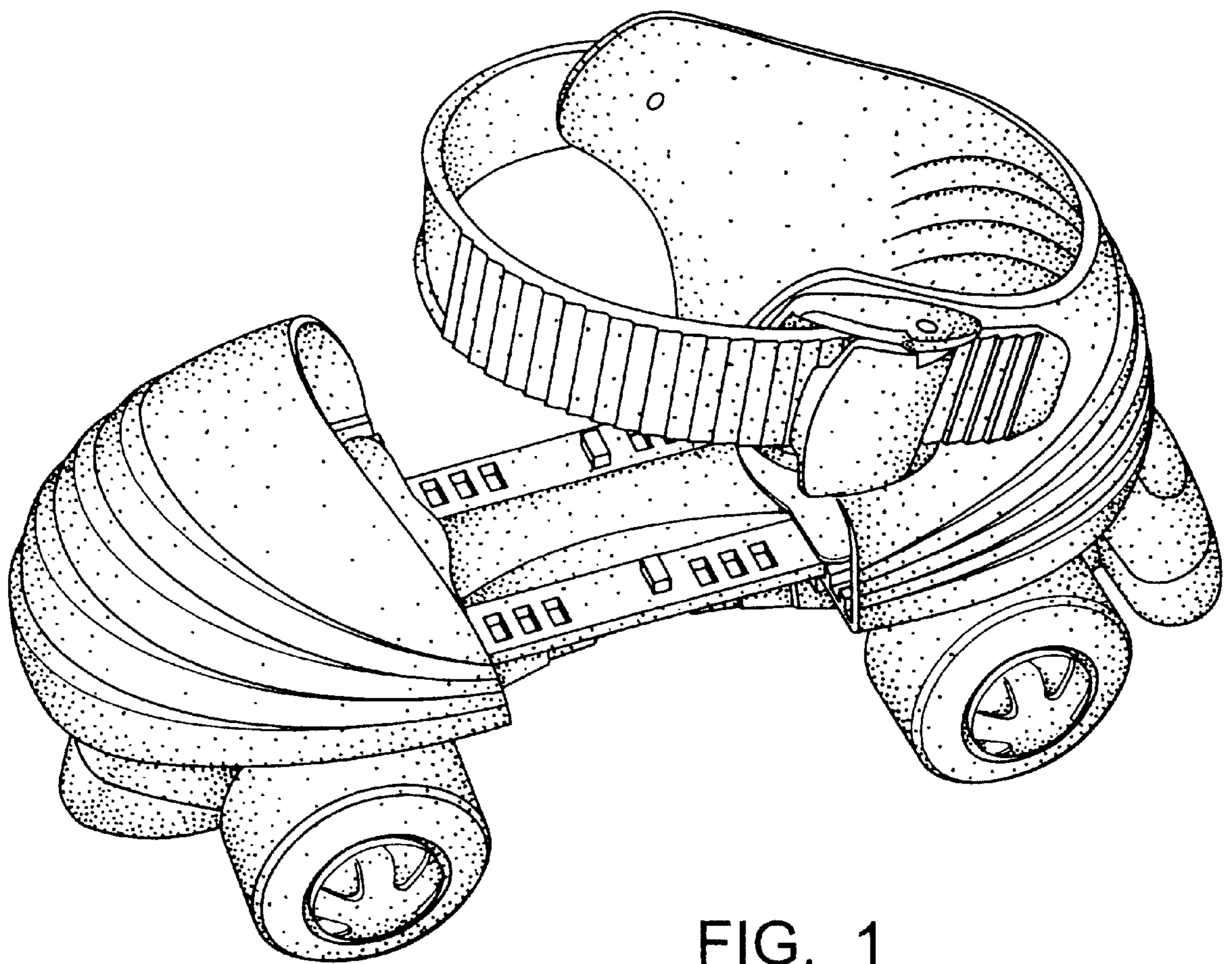


FIG. 1

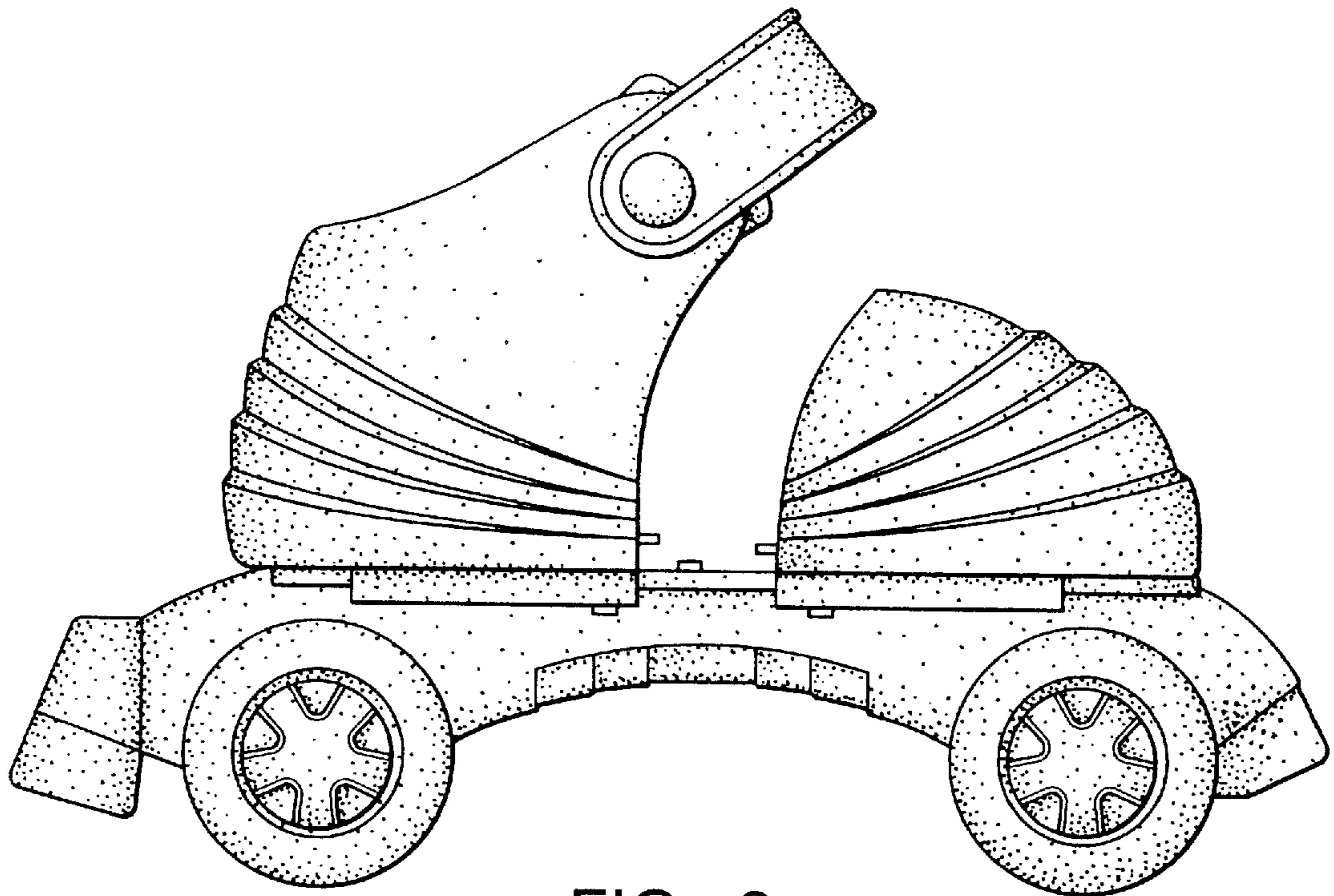


FIG. 2

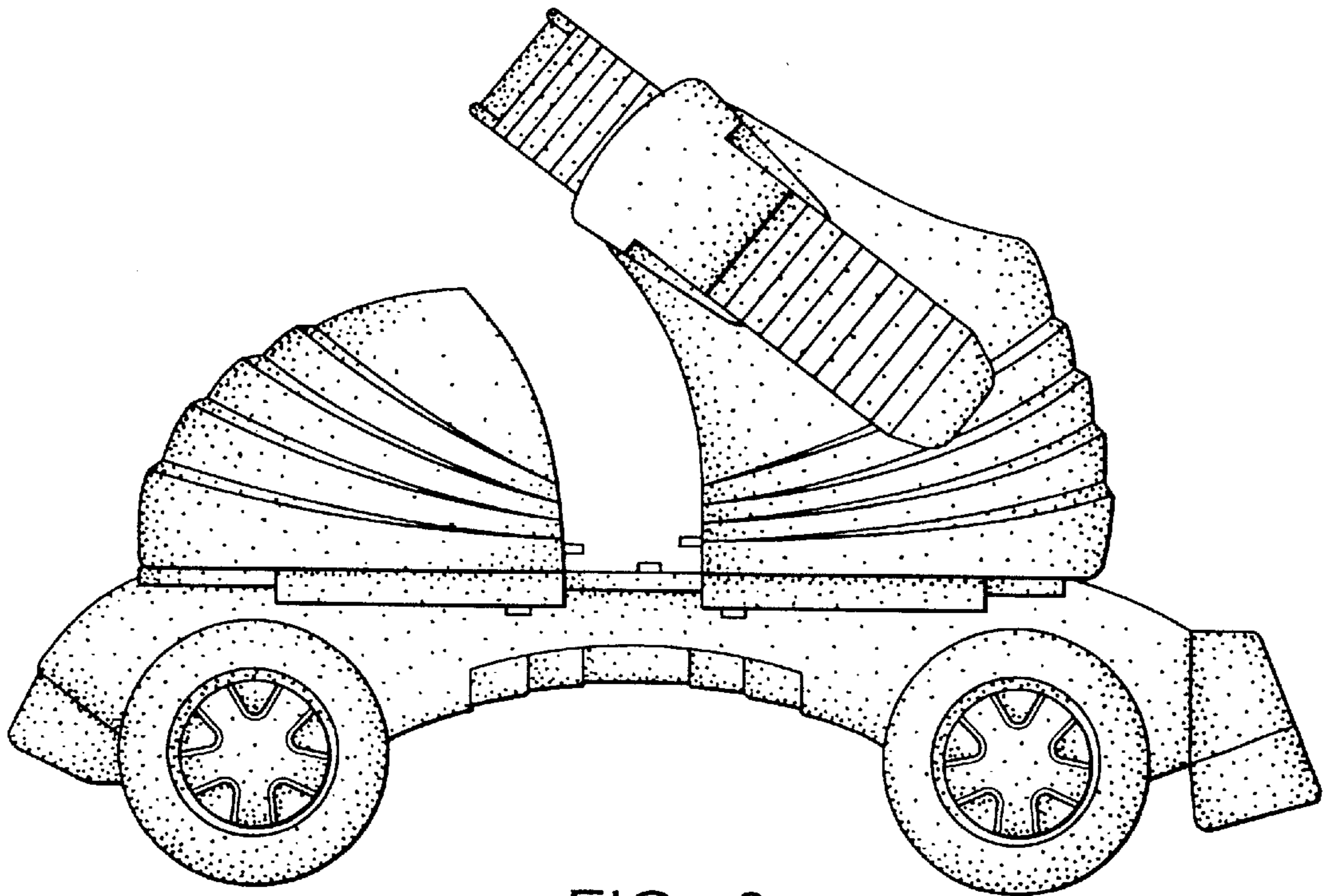


FIG. 3

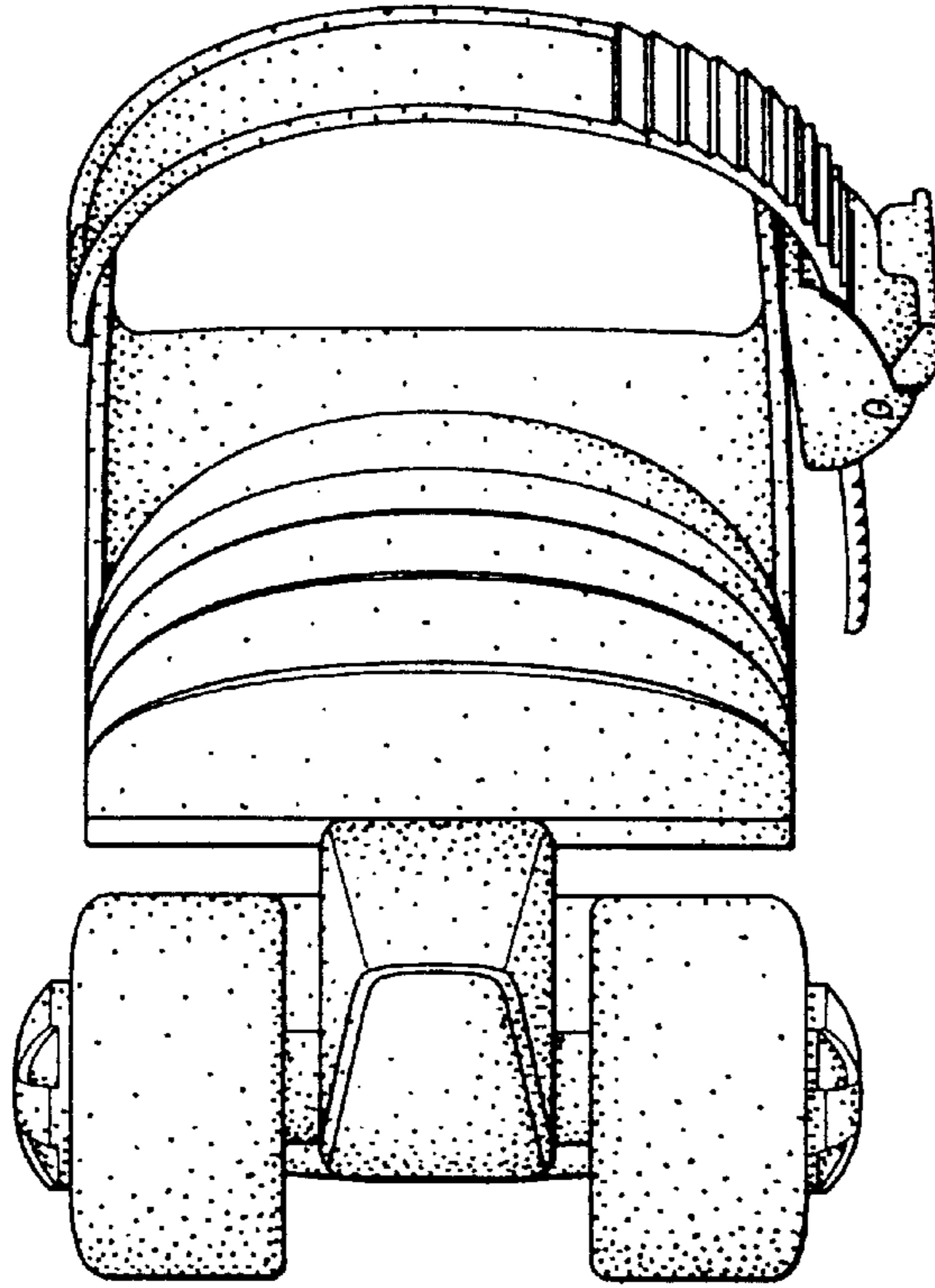


FIG. 4

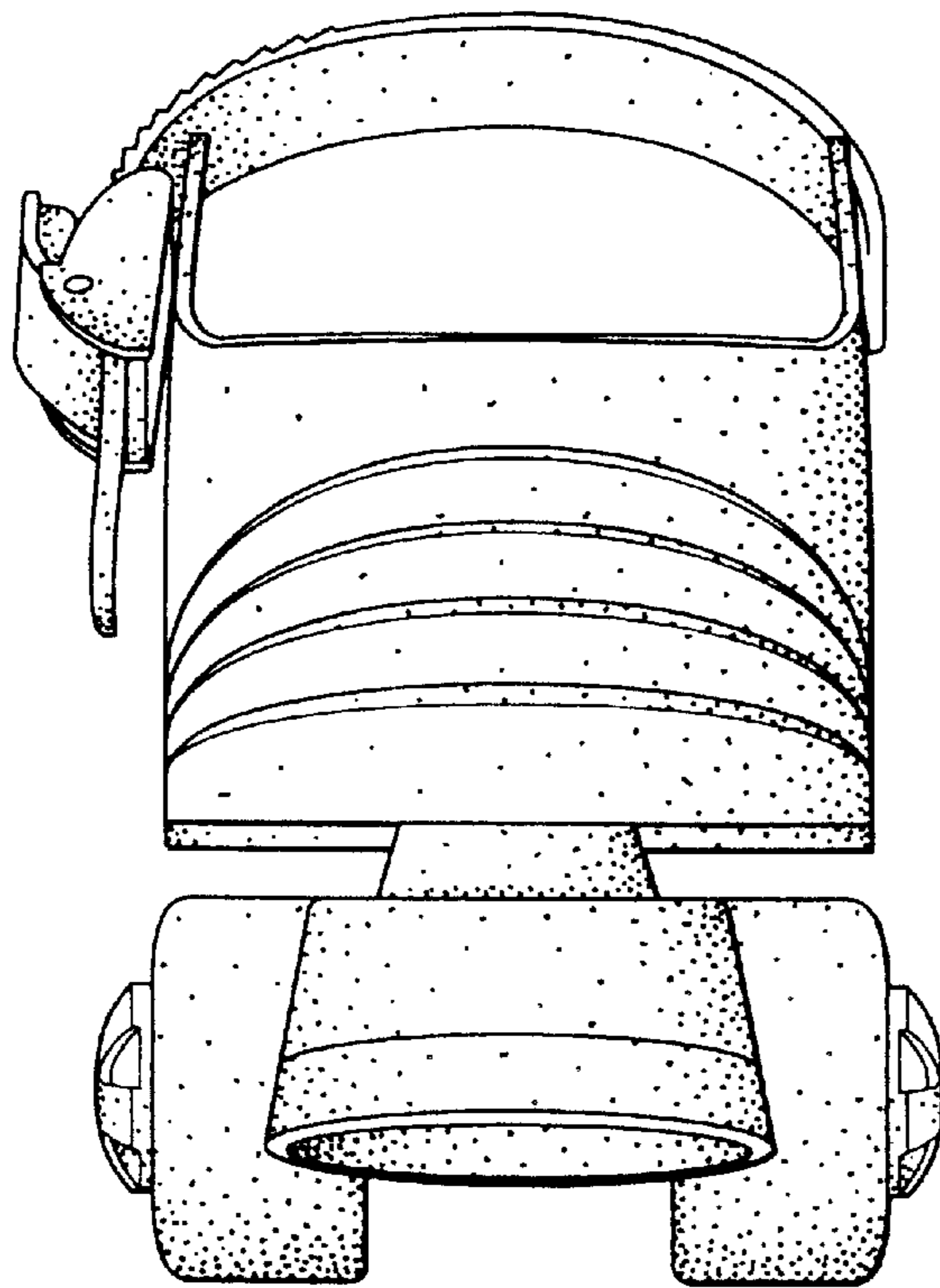


FIG. 5

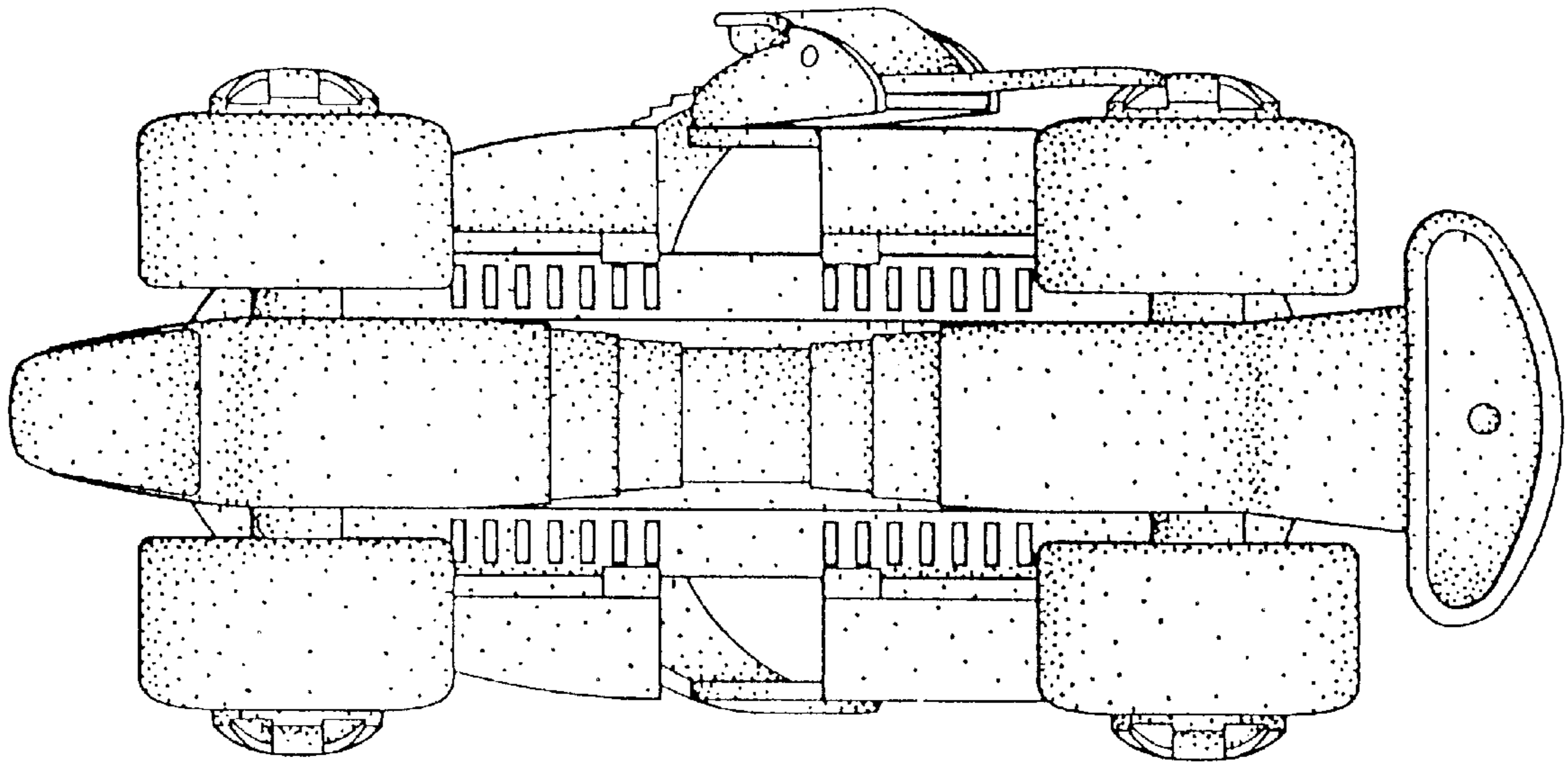


FIG. 7

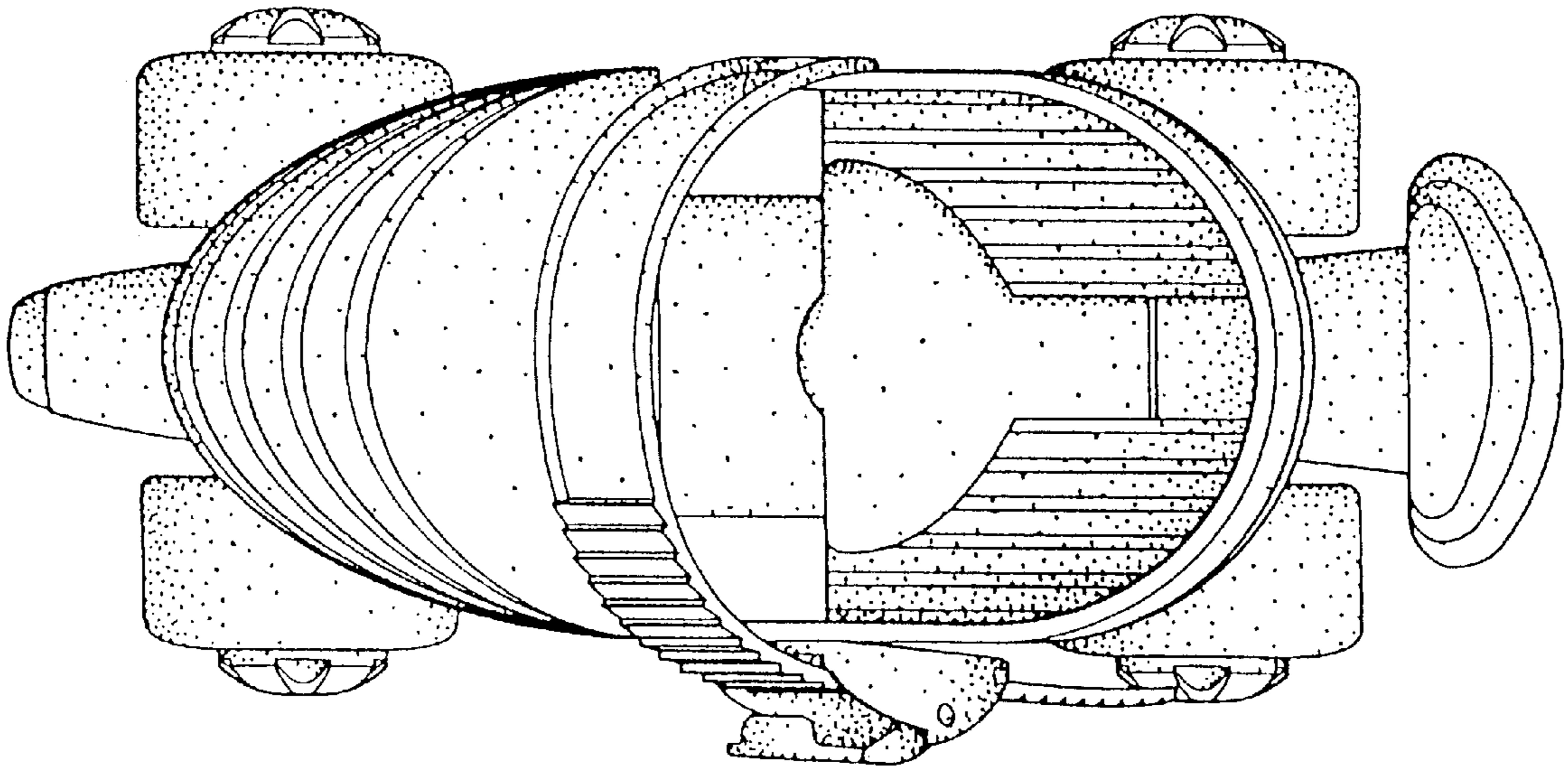


FIG. 6