



US00D410258S

United States Patent [19] Lerch

[11] Patent Number: **Des. 410,258**

[45] Date of Patent: **** May 25, 1999**

[54] **CHILDREN'S RIDE-ON VEHICLE**

[75] Inventor: **Karl D. Lerch**, East Aurora, N.Y.

[73] Assignee: **Mattel, Inc.**, El Segundo, Calif.

[**] Term: **14 Years**

[21] Appl. No.: **29/082,842**

[22] Filed: **Jan. 28, 1998**

[51] **LOC (6) Cl.** **21-01**

[52] **U.S. Cl.** **D21/433; D21/424; D21/426;**
D21/550; D21/551

[58] **Field of Search** D21/419-435,
D21/533-538, 548-562; D12/1, 87, 88,
90-92; 446/447, 428, 456, 465, 470; 280/1.13,
87.01, 87.021, 828, 200, 263, 281.1, 282

[56] **References Cited**

U.S. PATENT DOCUMENTS

D. 111,248	9/1938	Forman .	
D. 264,861	6/1982	Maloney, II D21/551
D. 280,916	10/1985	Castle D21/426
D. 281,341	11/1985	Lau D21/548
D. 301,849	6/1989	Oba et al. D12/87

D. 345,394	3/1994	Chen D21/433
D. 377,956	2/1997	Chuang D21/548
1,804,313	5/1931	Brubaker D21/549
3,887,210	6/1975	Funke 280/87.01
4,629,023	12/1986	Carpanelli et al.	.
4,799,708	1/1989	Handa et al.	.
5,094,313	3/1992	Mauws	.
5,106,150	4/1992	Litwicki	.
5,294,153	3/1994	Nolan	.
5,409,263	4/1995	Klawitter	.

Primary Examiner—Raphael Barkai
Attorney, Agent, or Firm—Kolisch, Hartwell, Dickinson,
McCormack & Heuser

[57] **CLAIM**

The ornamental design for a children's ride-on vehicle, as shown and described.

DESCRIPTION

FIG. 1 is a left-side view thereof;
FIG. 2 is a right side view thereof;
FIG. 3 is a top view thereof;
FIG. 4 is a front view thereof; and,
FIG. 5 is a rear view thereof, the bottom side being unornamented.

1 Claim, 3 Drawing Sheets

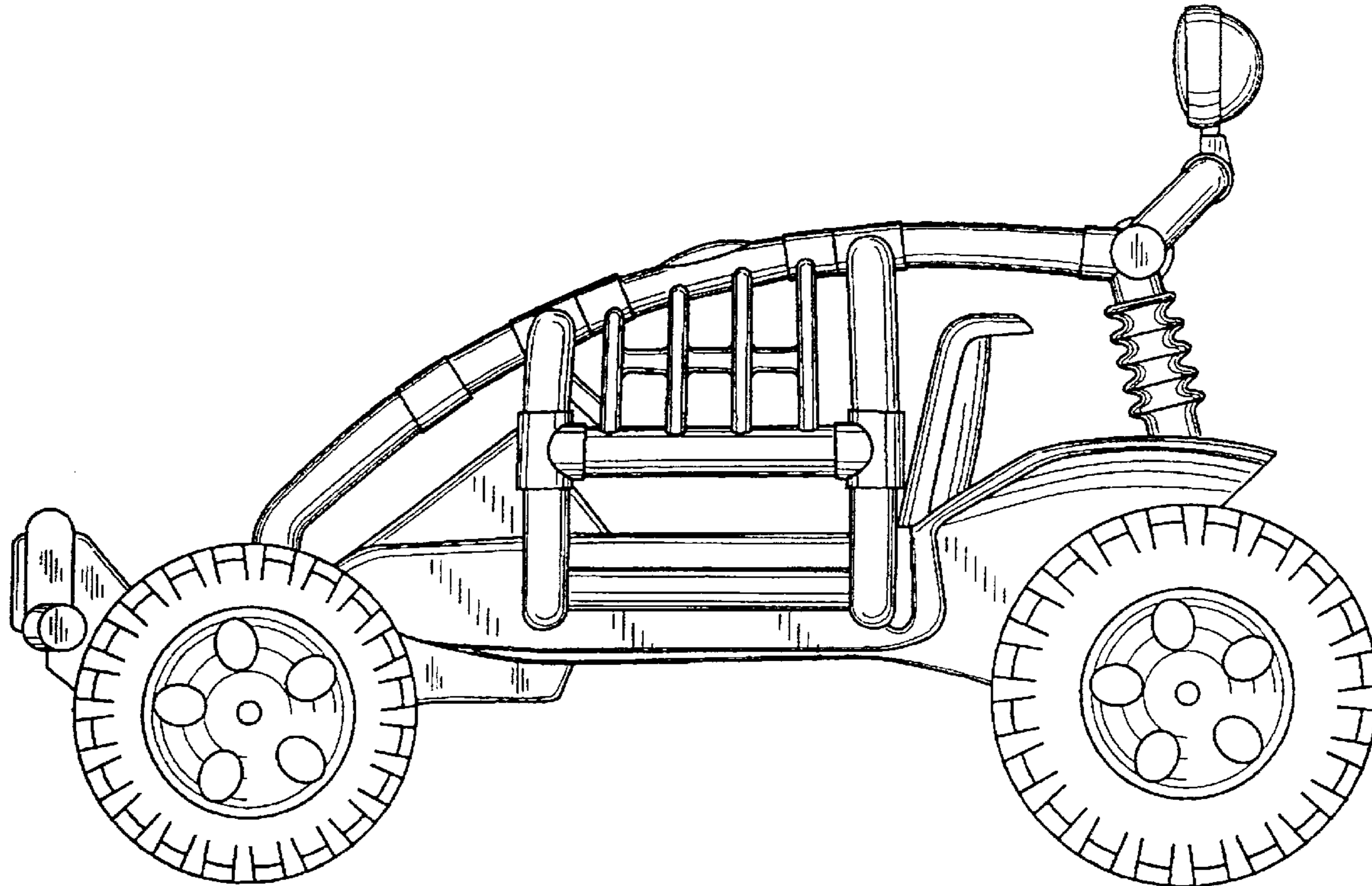


FIG. 1

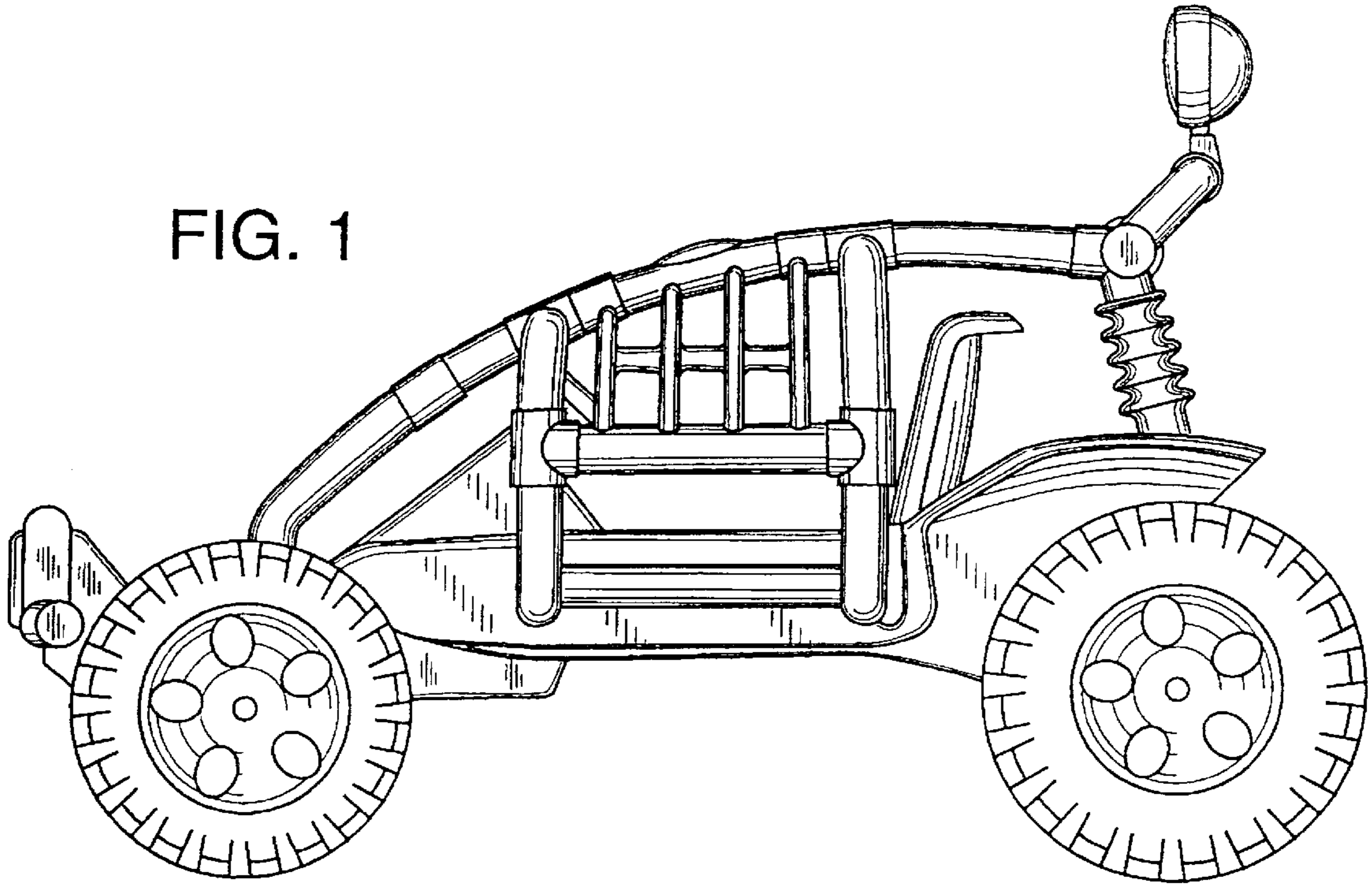


FIG. 2

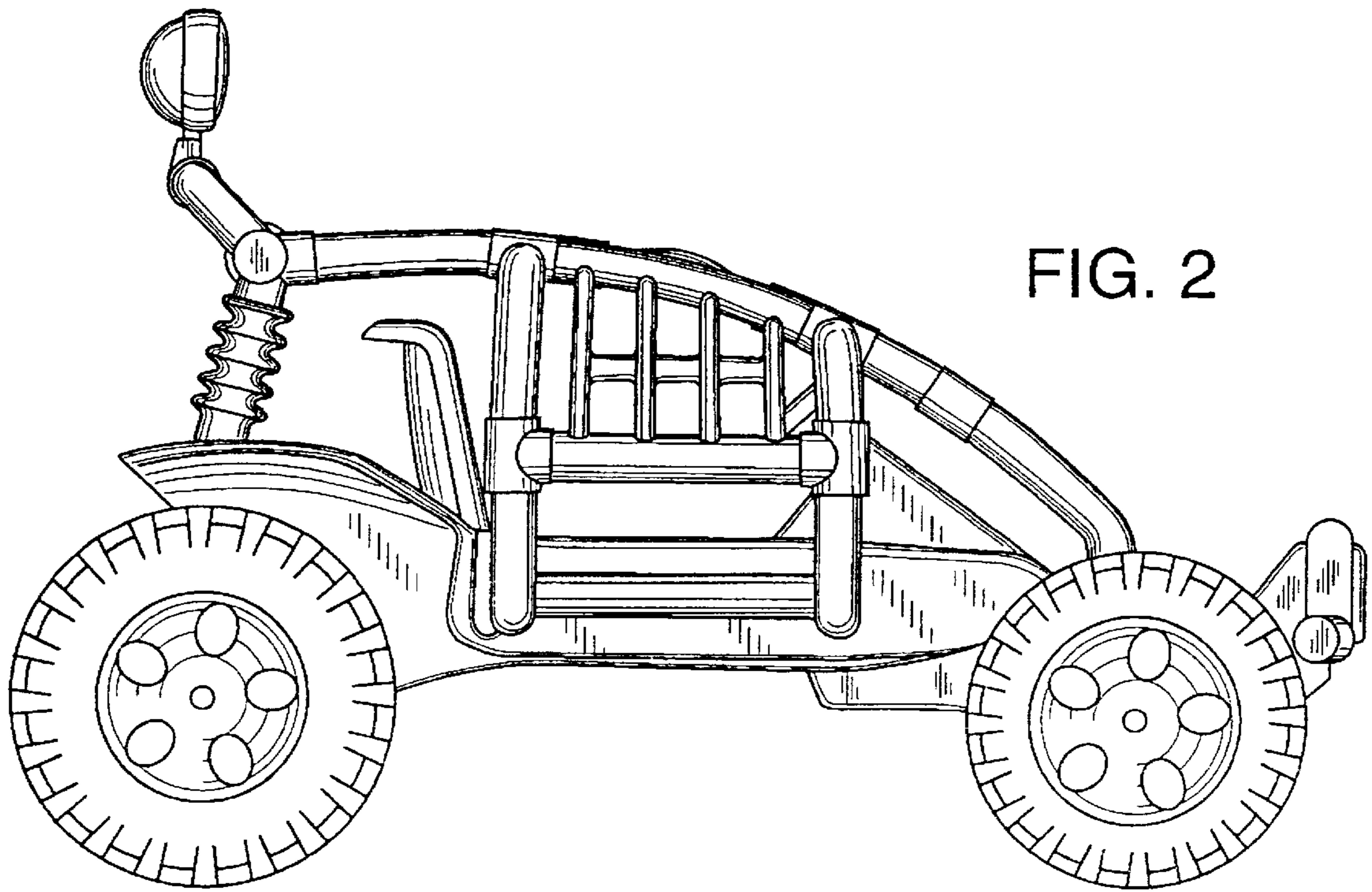


FIG. 3

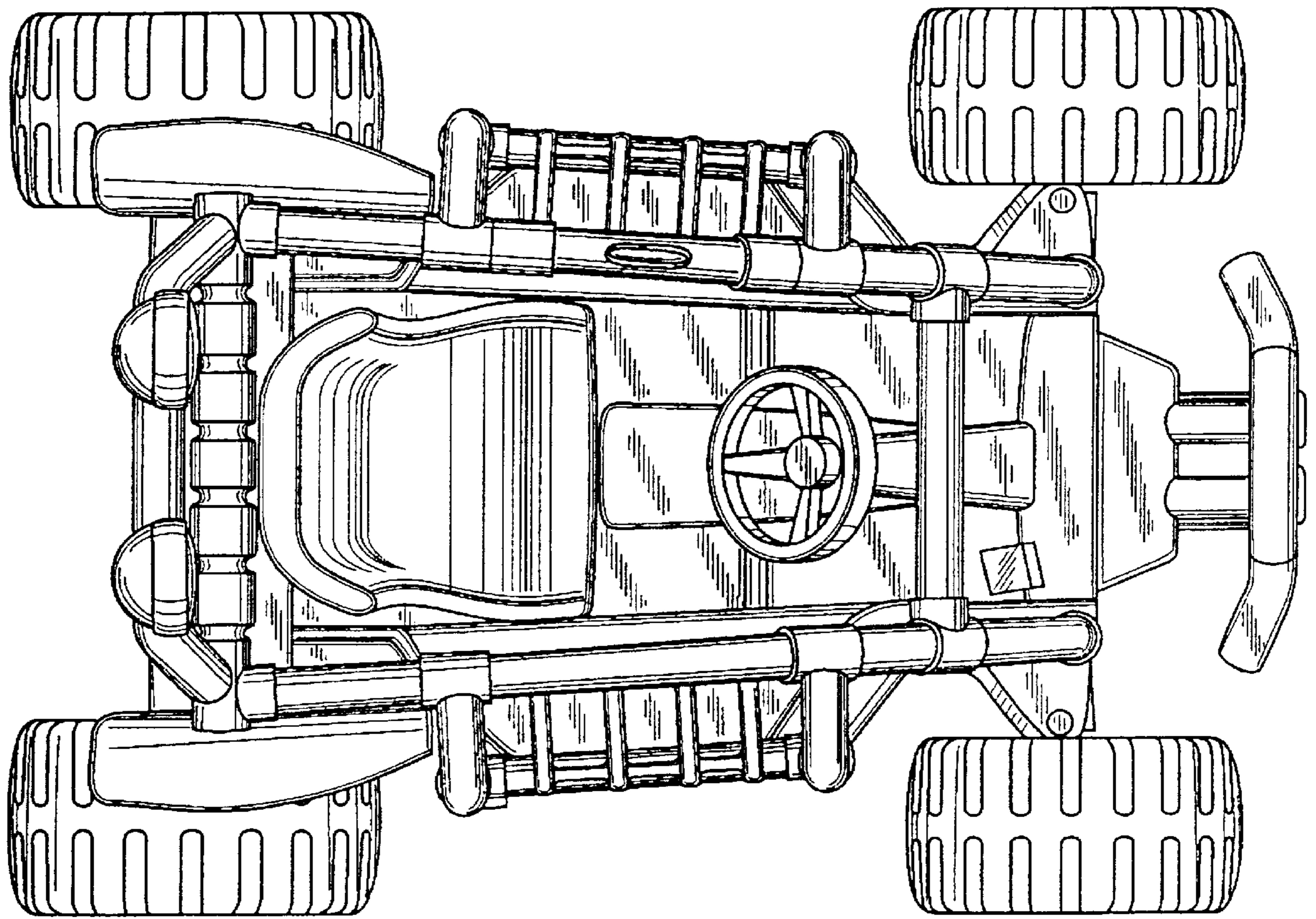


FIG. 4

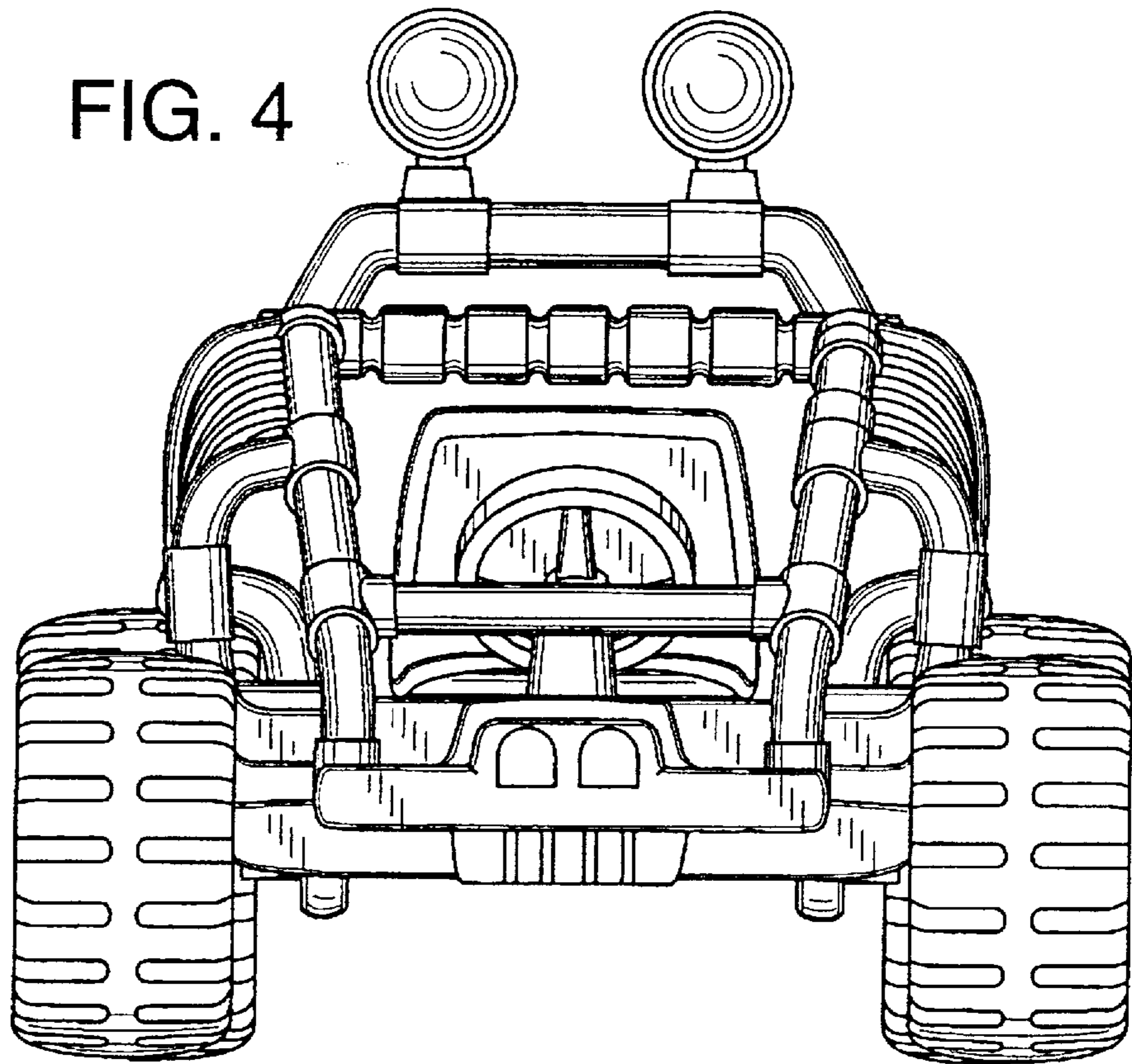


FIG. 5

