



US00D410257S

# United States Patent [19] Siu Fai

[11] **Patent Number: Des. 410,257**

[45] **Date of Patent: \*\* May 25, 1999**

[54] **ELECTRONIC GAME**

5,184,830 2/1993 Okada et al. .... 463/464  
5,213,327 5/1993 Kitaue ..... 273/148 B

[75] Inventor: **Au Yeung Siu Fai**, Kowloon, The Hong Kong Special Administrative Region of the People's Republic of China

### OTHER PUBLICATIONS

Sears Cat, p. 494, Item #4, 1985.

[73] Assignee: **Watercore Limited**, Tai Po, China

*Primary Examiner*—Prabhakar Deshmukh  
*Attorney, Agent, or Firm*—Knobbe, Martens, Olson & Bear, LLP

[\*\*] Term: **14 Years**

[21] Appl. No.: **29/079,834**

### [57] CLAIM

[22] Filed: **Nov. 19, 1997**

The ornamental design for an electronic game, as shown and described.

[51] **LOC (6) Cl.** ..... **21-01**

### DESCRIPTION

[52] **U.S. Cl.** ..... **D21/329**

[58] **Field of Search** ..... D21/324, 329,  
D21/331; D14/124, 117.6, 117.1; 273/148 B;  
463/1, 30-35, 46, 47

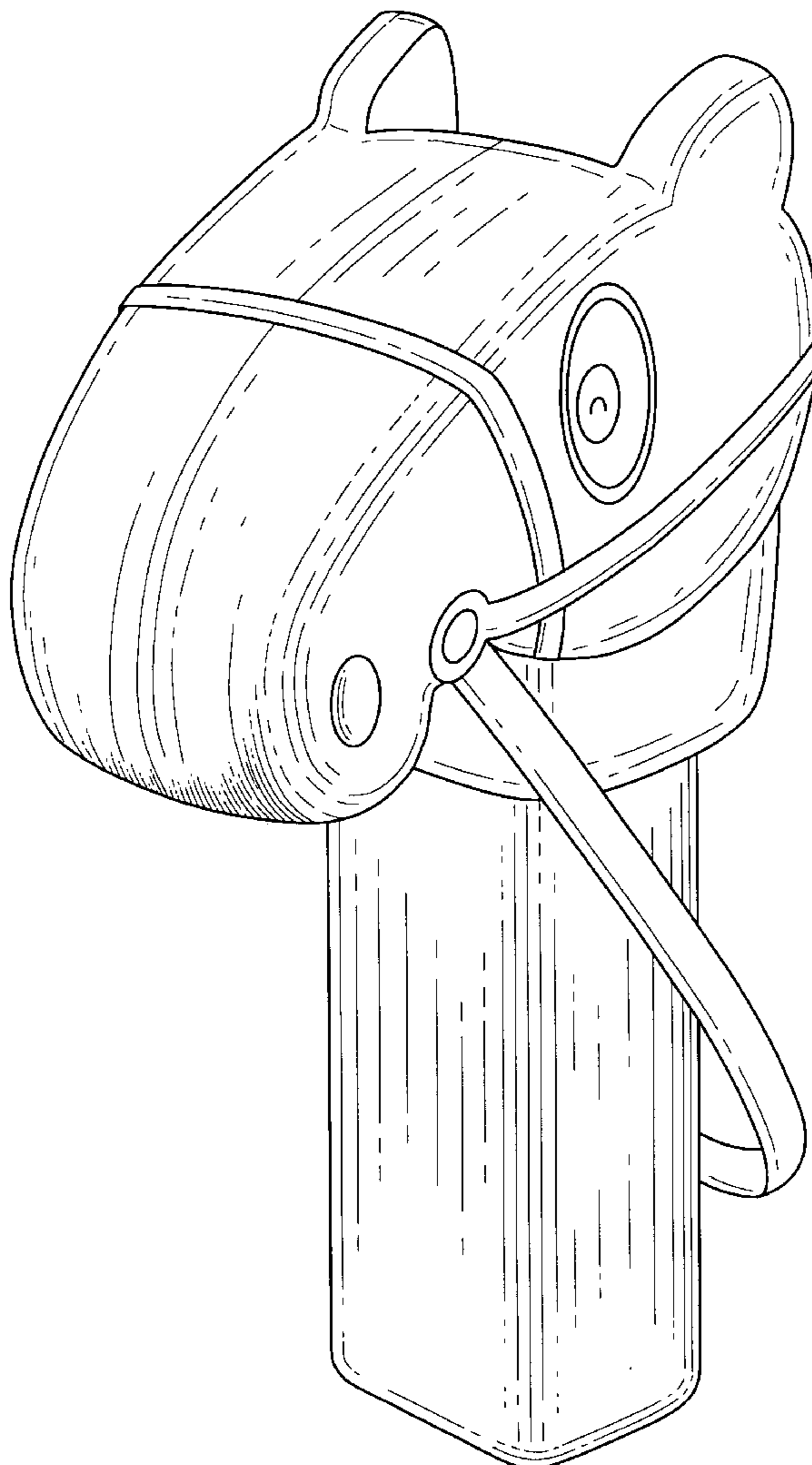
FIG. 1 is a front perspective view of the electronic game of the present invention;  
FIG. 2 is a front plan view thereof;  
FIG. 3 is a right side plan view thereof;  
FIG. 4 is a rear plan view thereof;  
FIG. 5 is a left side plan view thereof;  
FIG. 6 is a top plan view thereof; and,  
FIG. 7 is a bottom plan view thereof.

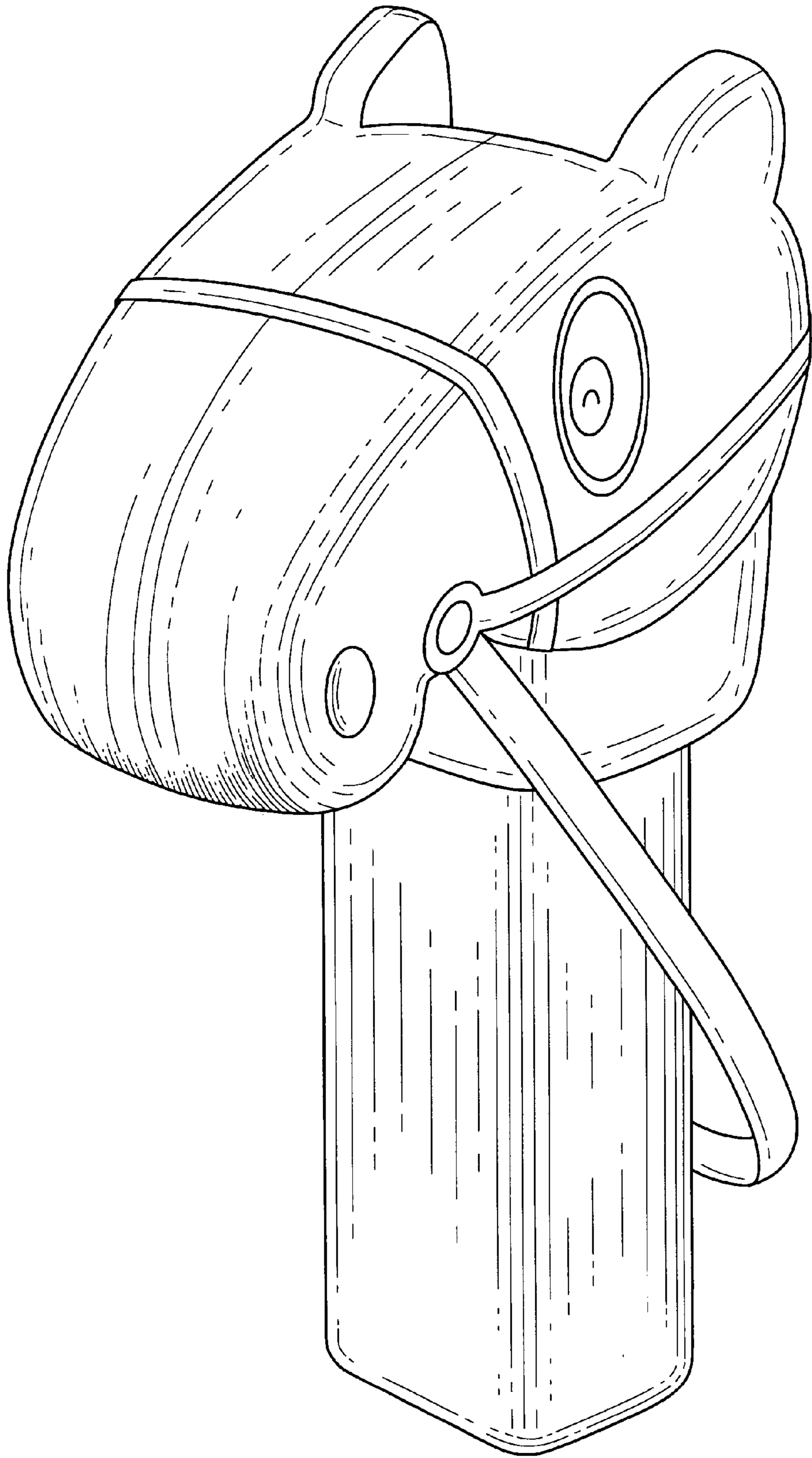
### [56] References Cited

#### U.S. PATENT DOCUMENTS

D. 347,246 5/1994 Wen ..... D21/329  
D. 370,237 5/1996 Gilliam et al. .... D21/329  
D. 374,235 10/1996 Biasotti et al. .... D21/329 X

**1 Claim, 3 Drawing Sheets**





**FIG. 1**

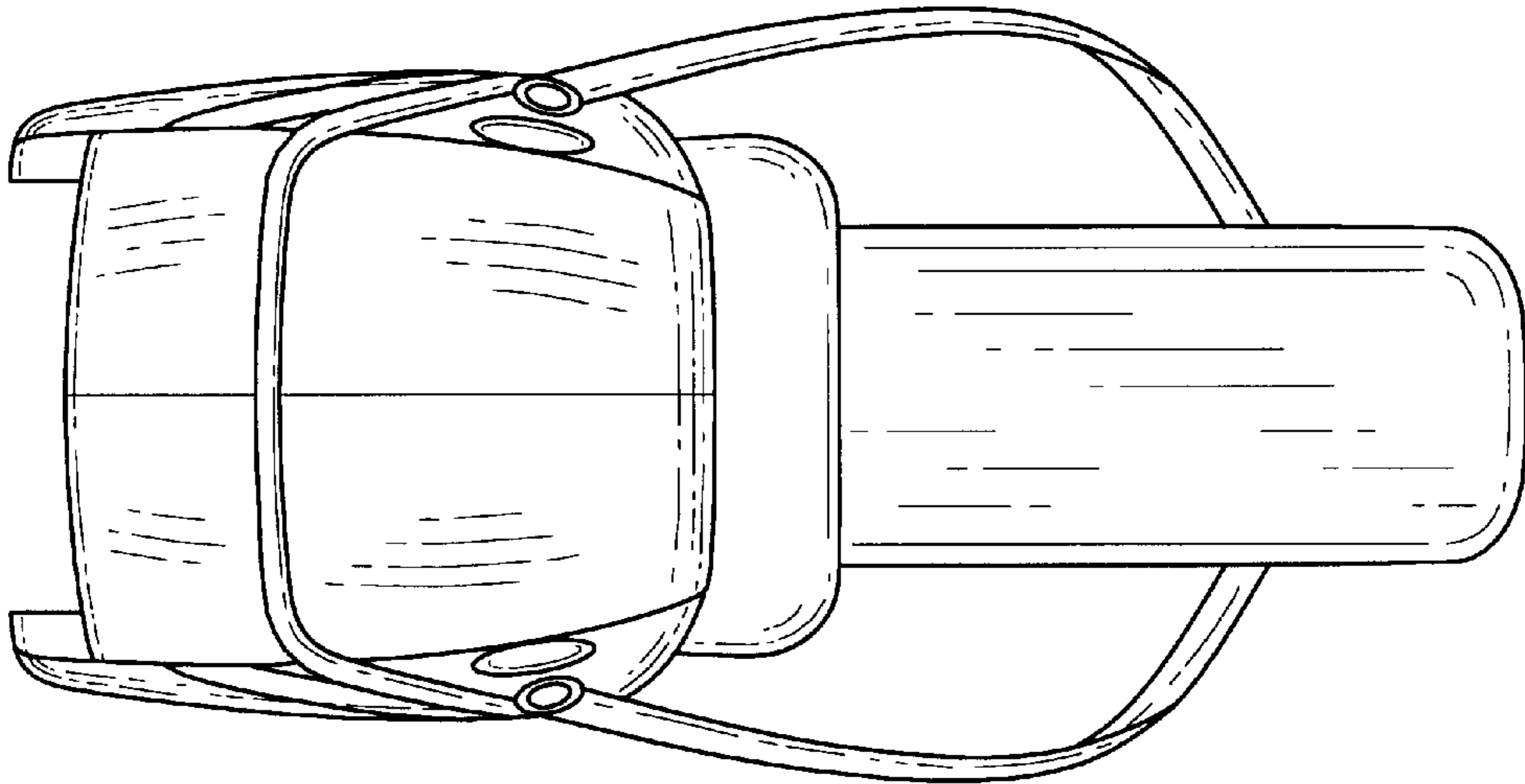


FIG. 2

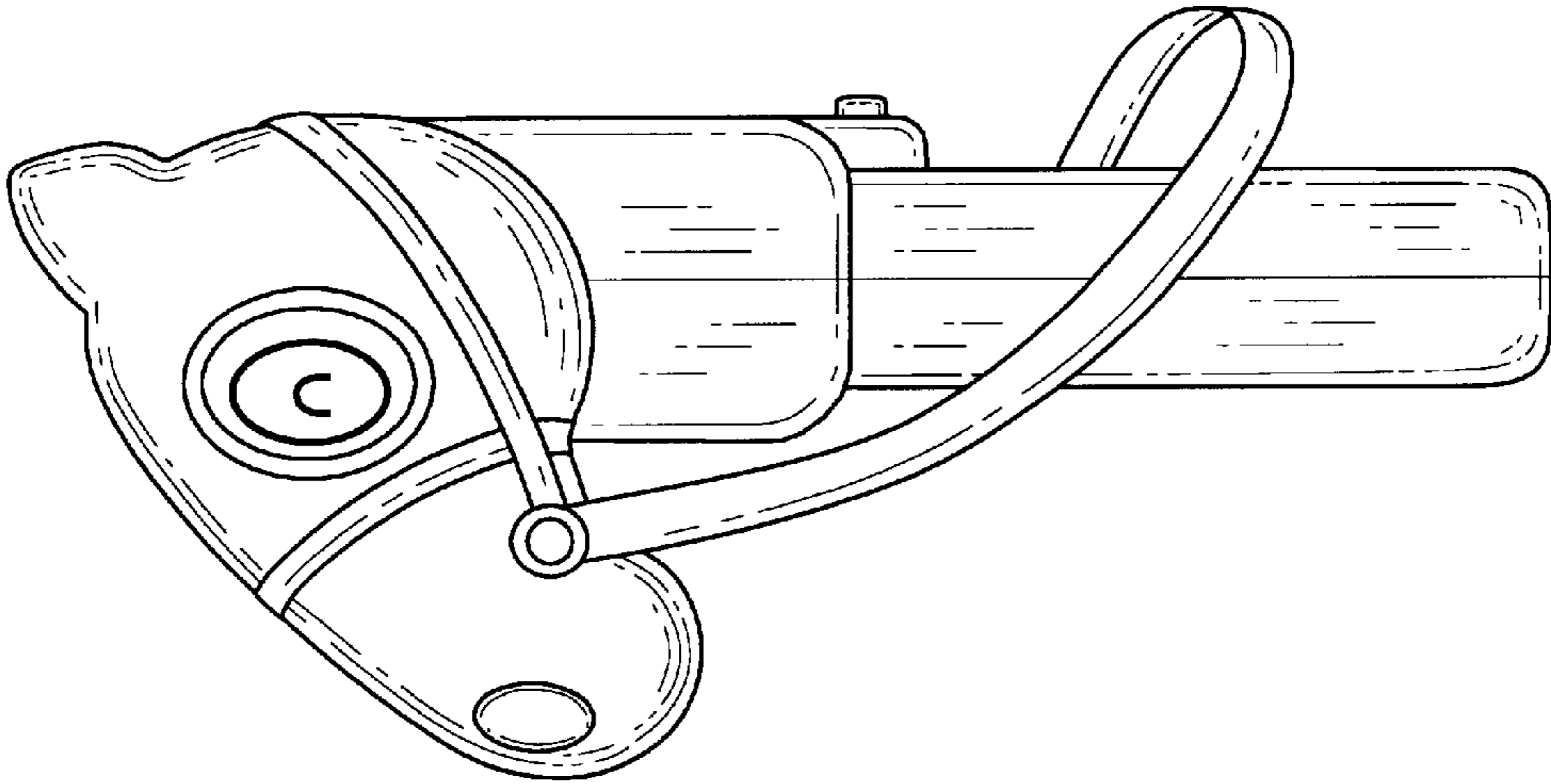


FIG. 3

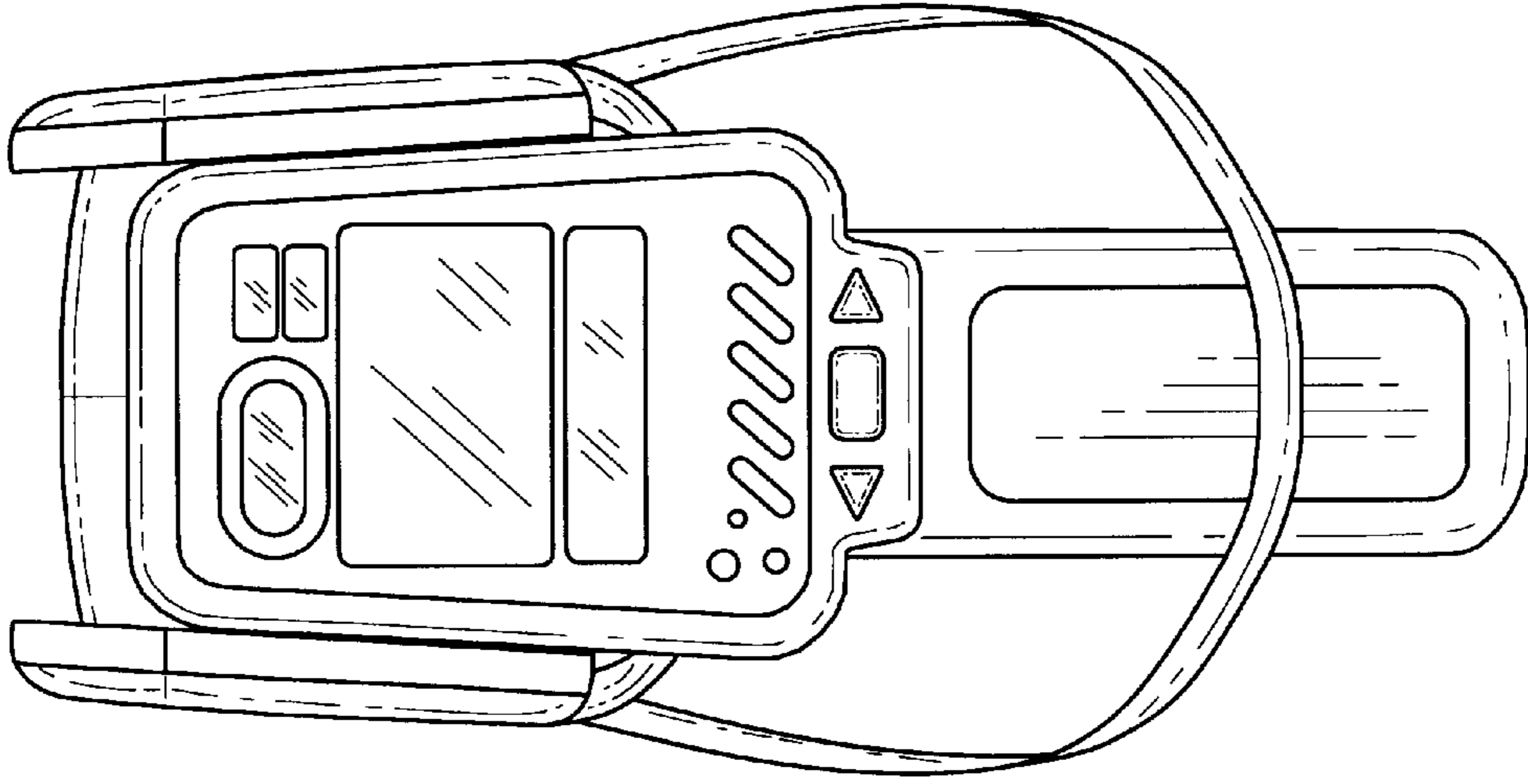


FIG. 4

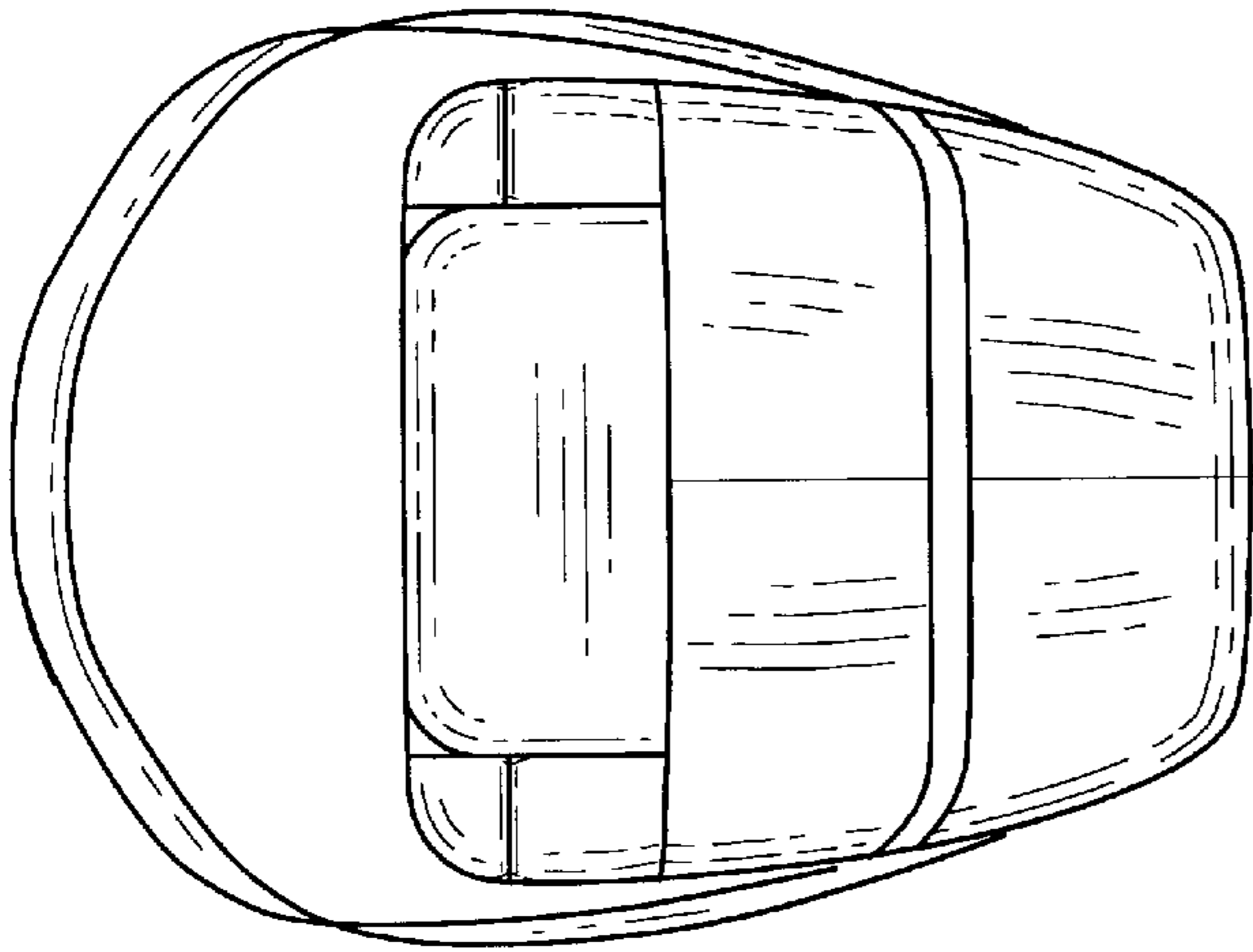


FIG. 6

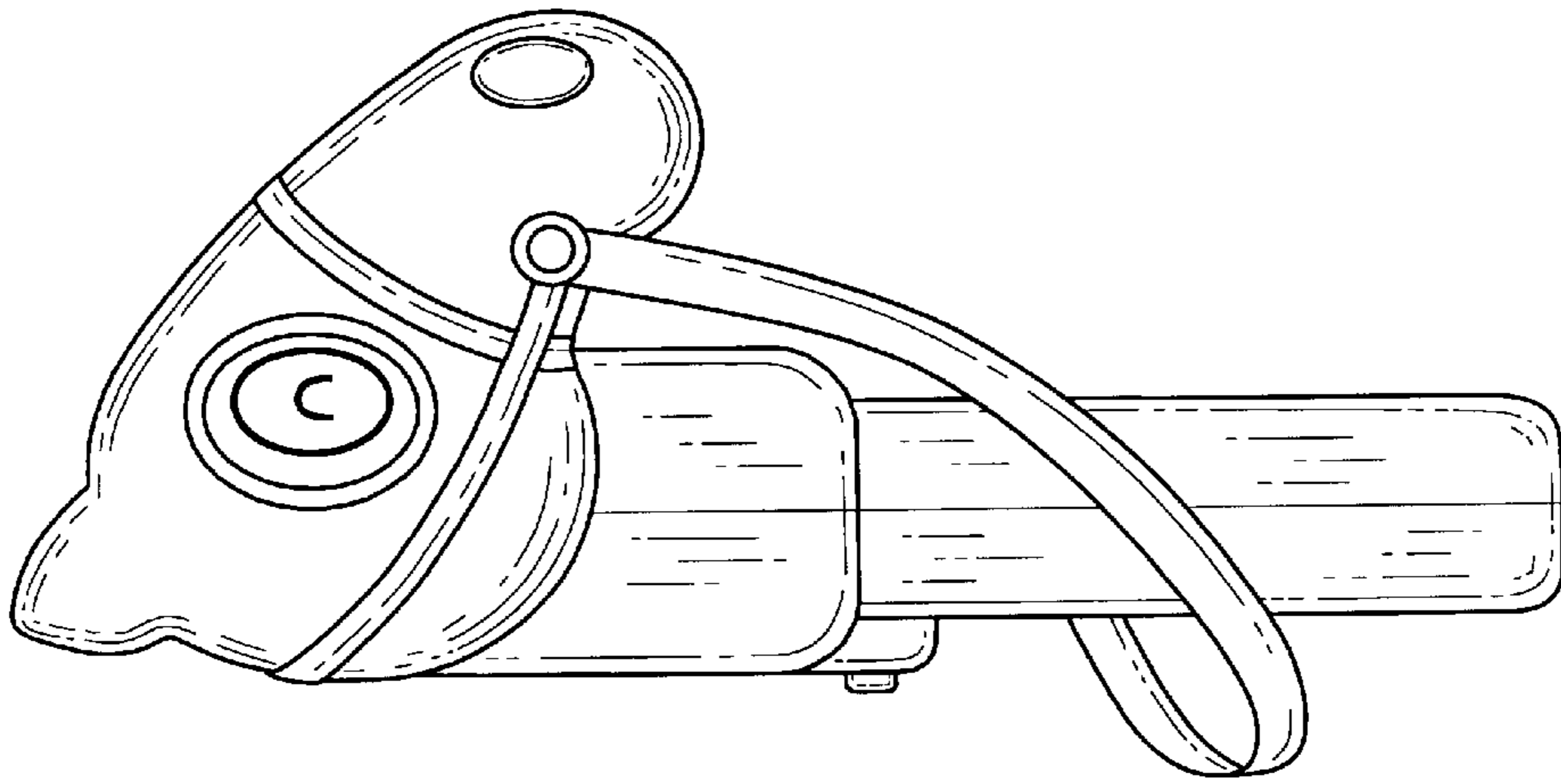


FIG. 5

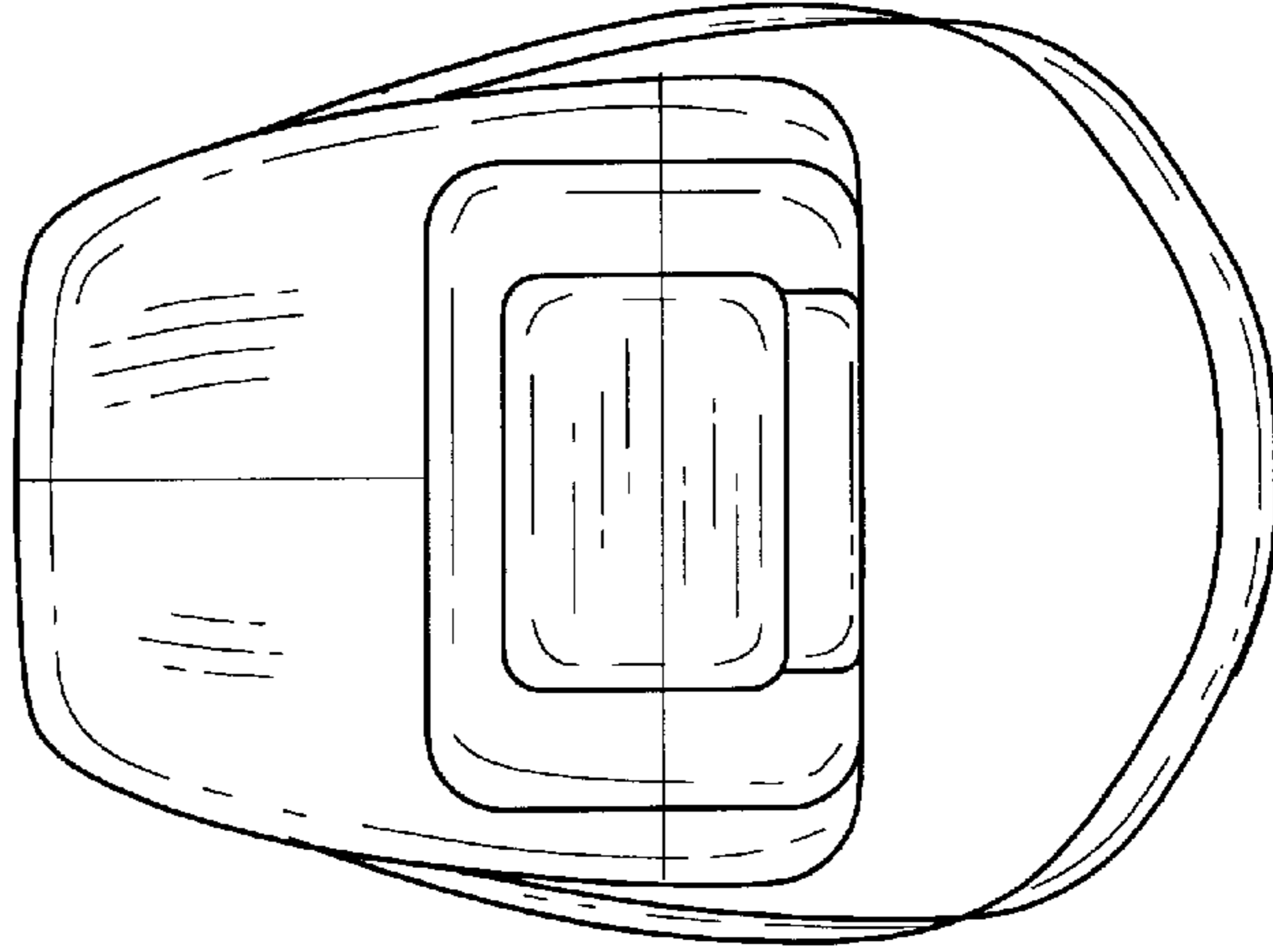


FIG. 7