



US00D410256S

United States Patent [19]

Uehara et al.

[11] Patent Number: **Des. 410,256**

[45] Date of Patent: **** May 25, 1999**

[54] **GAME MACHINE**

5,263,715 11/1993 Matsumoto et al. 273/148 B

[75] Inventors: **Isao Uehara**, Yamagata; **Takahiro Sakiyama**, Zama, both of Japan

FOREIGN PATENT DOCUMENTS

981686 5/1997 Japan .
1018766 6/1961 United Kingdom D21/327

[73] Assignee: **Konami Co., Ltd.**, Hyogo-ken, Japan

Primary Examiner—Prabhakar Deshmukh
Attorney, Agent, or Firm—Jordan and Hamburg

[**] Term: **14 Years**

[57] CLAIM

[21] Appl. No.: **29/087,711**

The ornamental design for a game machine, as shown and described.

[22] Filed: **May 7, 1998**

[30] Foreign Application Priority Data

DESCRIPTION

Nov. 12, 1997 [JP] Japan 9-74820

[51] **LOC (6) Cl.** **21-01**

[52] **U.S. Cl.** **D21/327**

[58] **Field of Search** D21/324–327,
D21/333, 300; 463/1, 30–33, 46, 47, 6,
49; 273/148 B

FIG. 1 is a perspective view of a game machine;
FIG. 2 is a front view of the game machine;
FIG. 3 is a rear view of the game machine;
FIG. 4 is a top view of the game machine;
FIG. 5 is a bottom view of the game machine;
FIG. 6 is a right side view of the game machine;
FIG. 7 is a left side view of the game machine;
FIG. 8 is a sectional view taken along the line 8—8 in FIG. 2;
FIG. 9 is a front view of an object provided in the game machine;
FIG. 10 is a top view of the object; and,
FIG. 11 is a left side view of the object.
The object in FIGS. 9–11 is shown separately for clarity of illustration.

[56] References Cited

U.S. PATENT DOCUMENTS

- D. 243,625 3/1977 Sauter D21/327
- D. 251,395 3/1979 Kula D21/327
- D. 364,650 11/1995 Hanscom D21/327
- D. 371,579 7/1996 Hanscom D21/327
- D. 377,670 1/1997 Means et al. D21/327
- D. 383,171 9/1997 Hanscom D21/327 X
- 4,614,342 9/1986 Takashima 463/46 X
- 4,813,675 3/1989 Greenwood 463/46

1 Claim, 11 Drawing Sheets

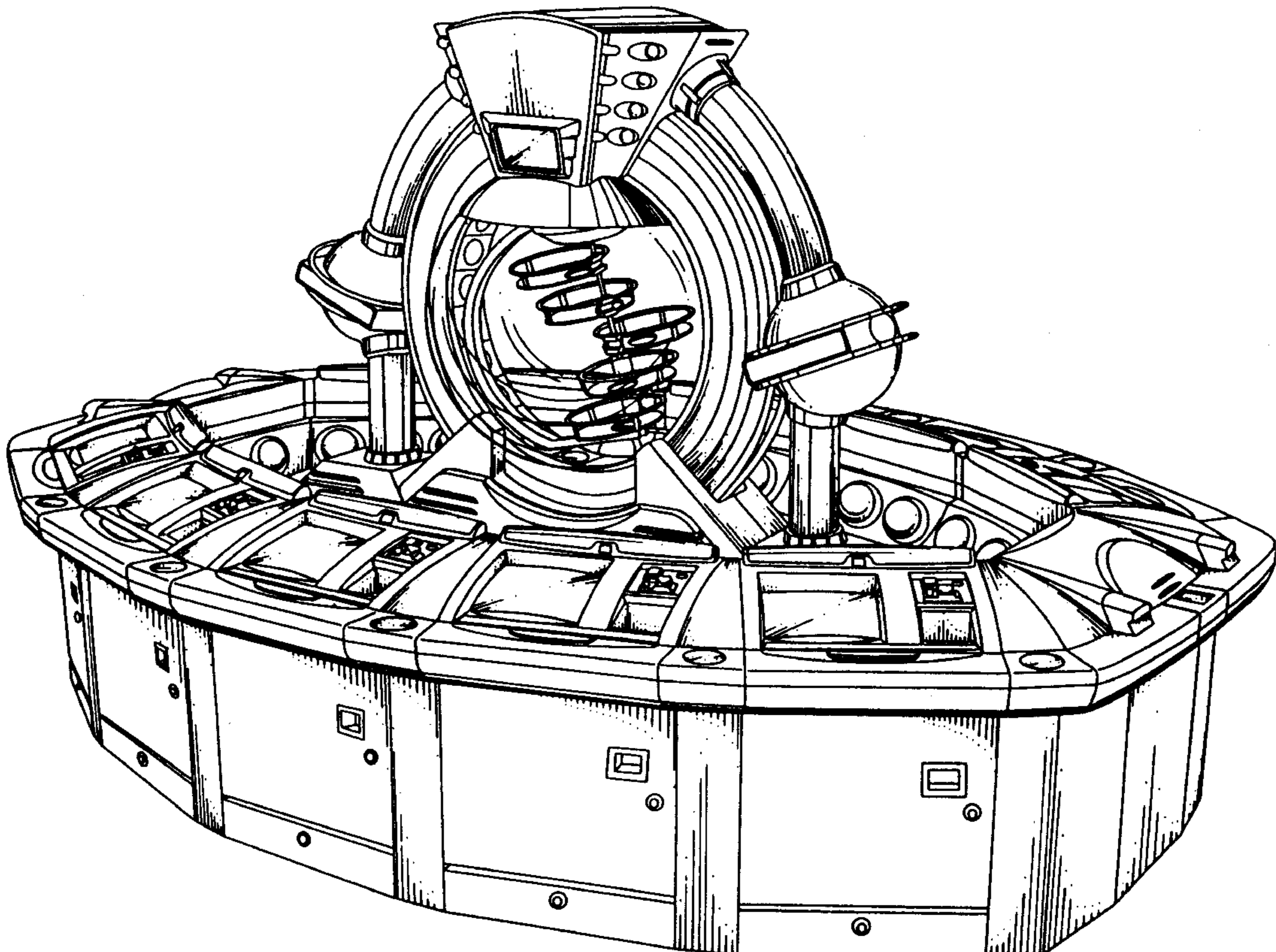
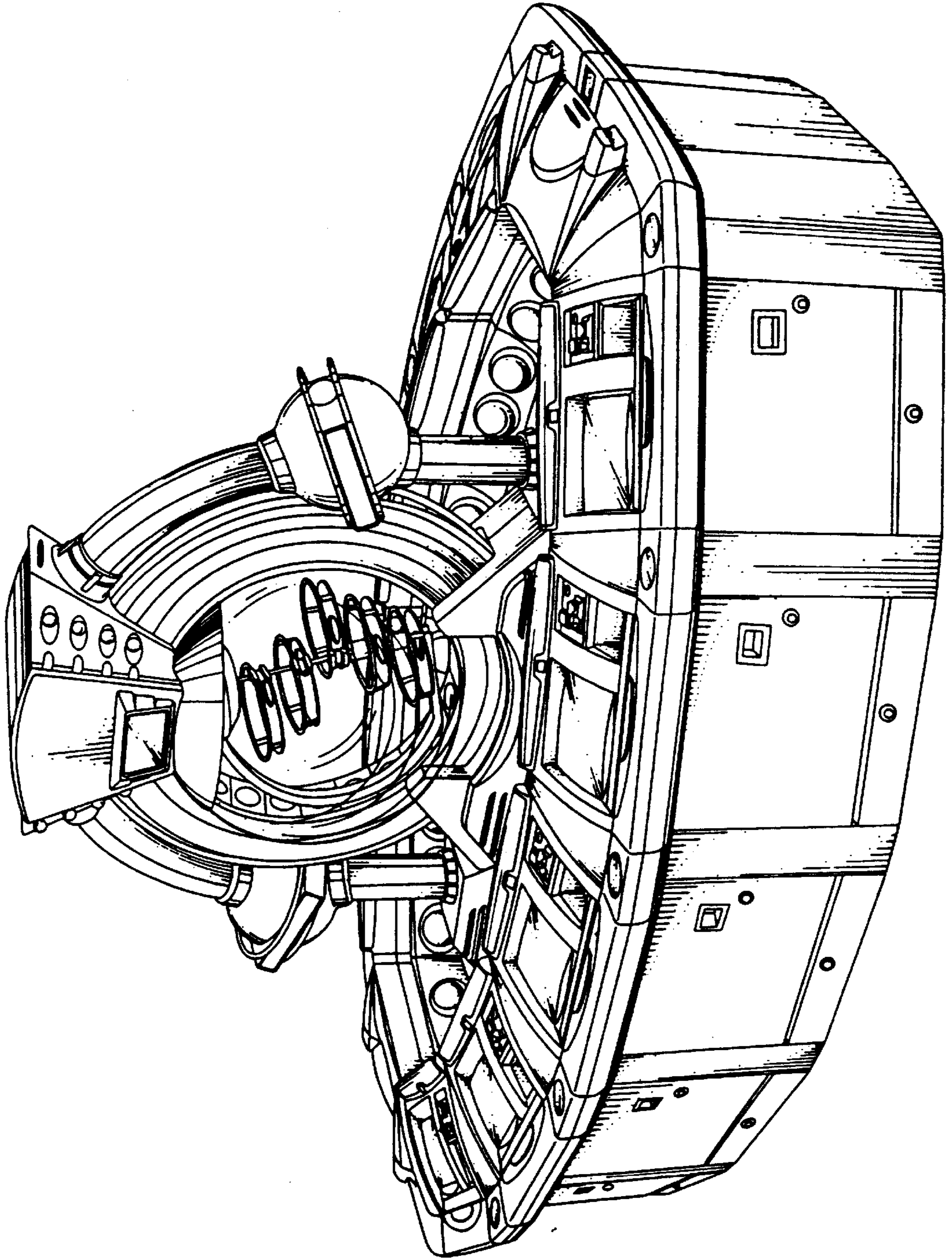


FIG. 1



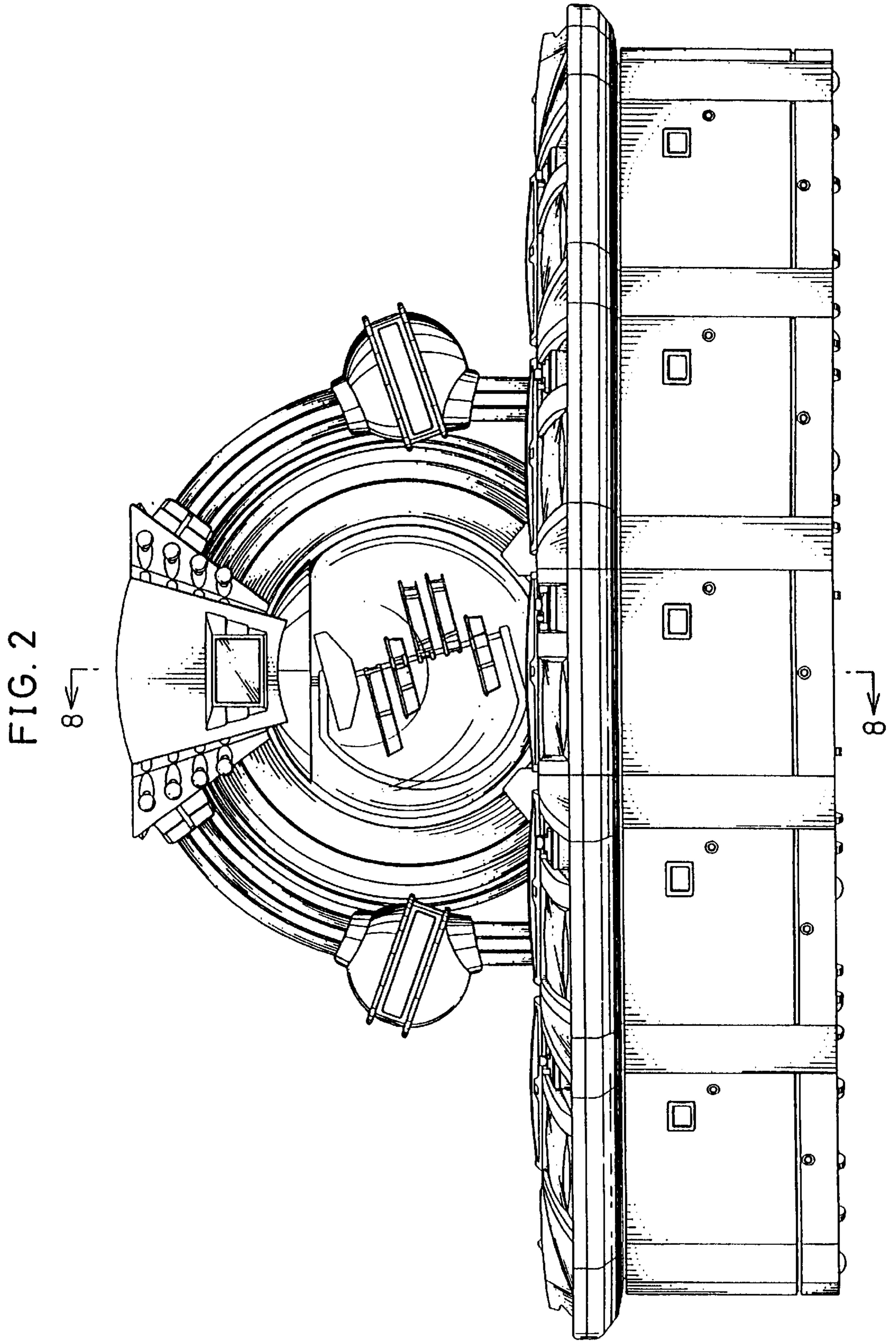


FIG. 3

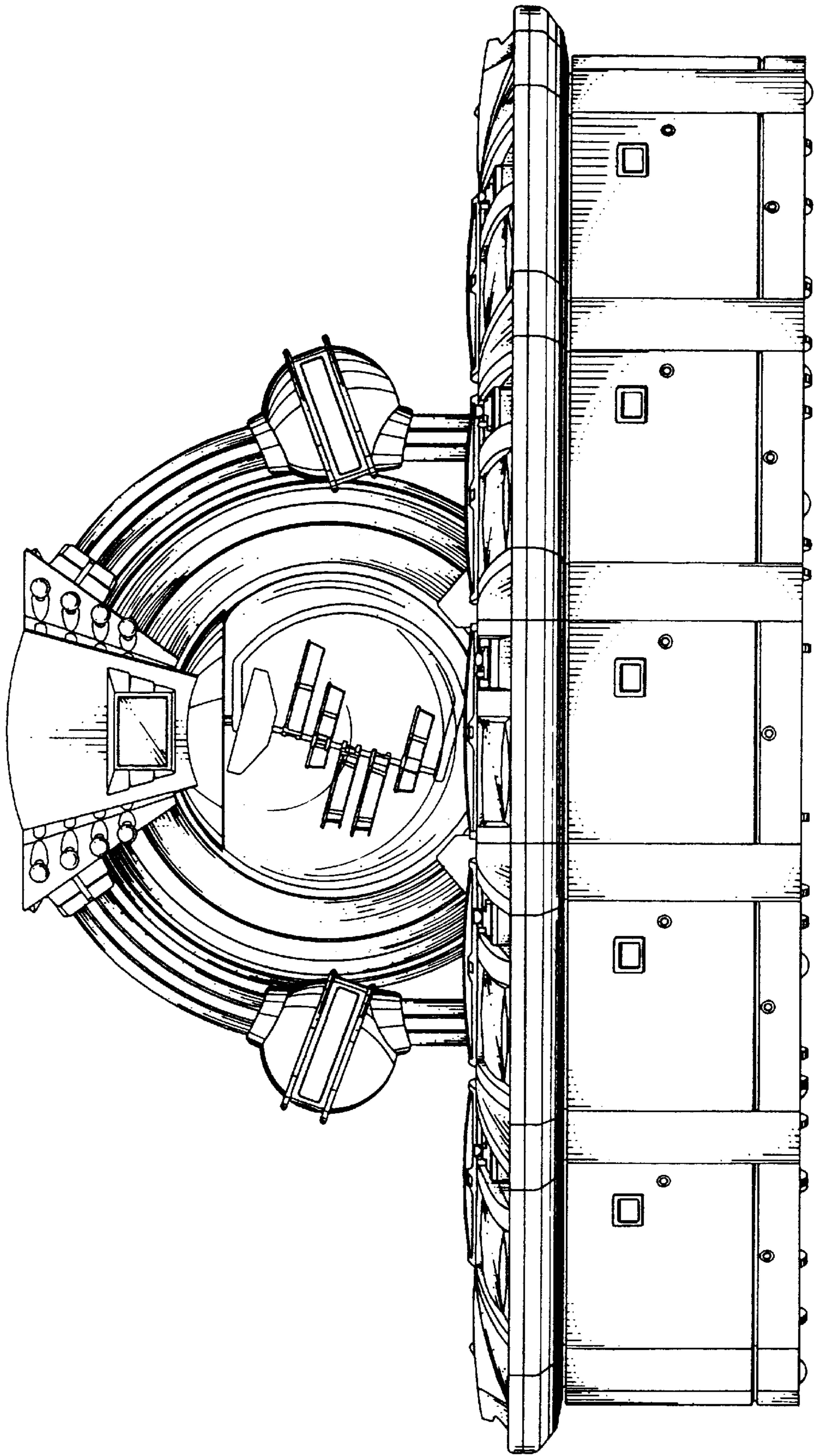


FIG. 4

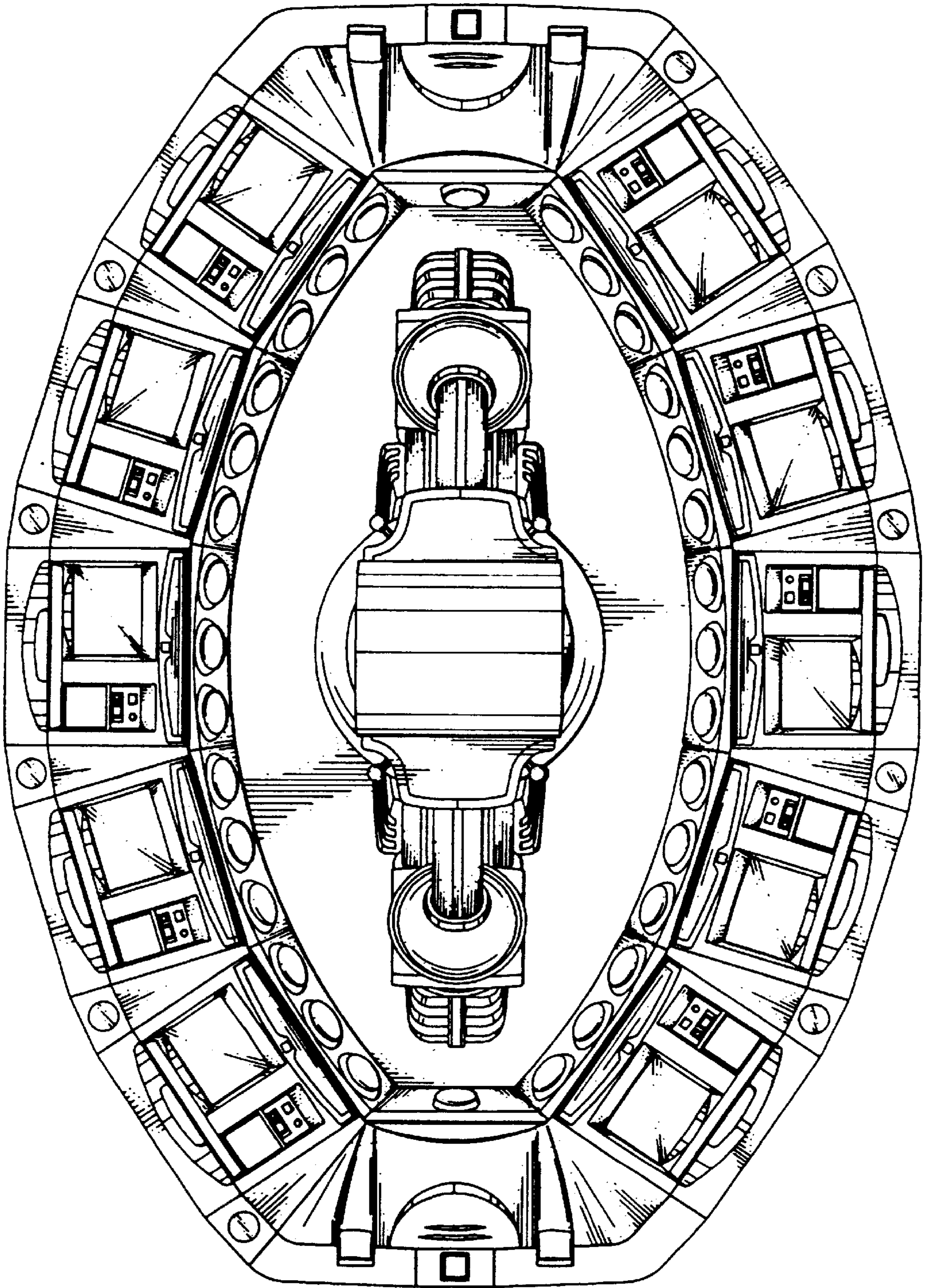


FIG. 5

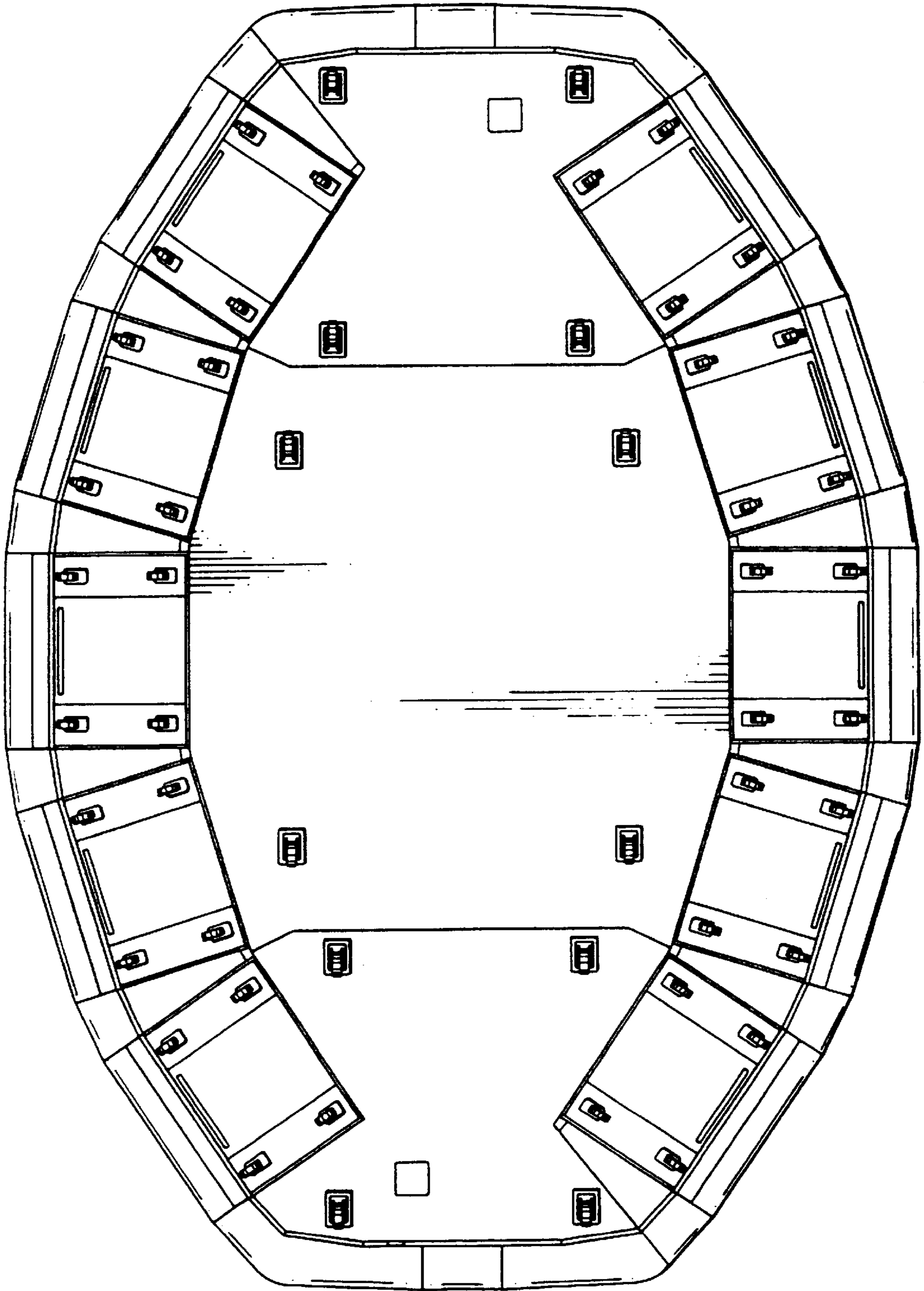


FIG. 6

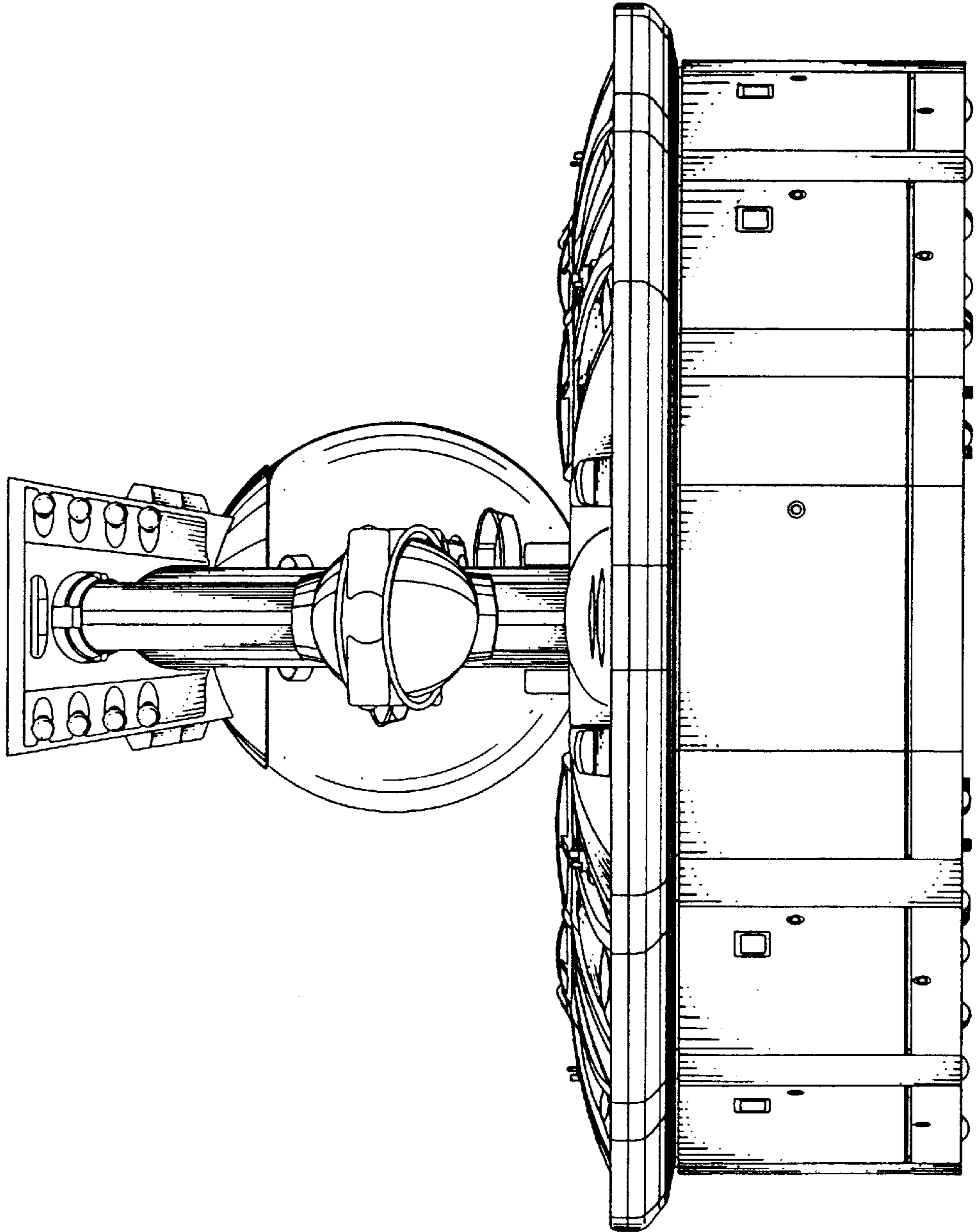


FIG. 7

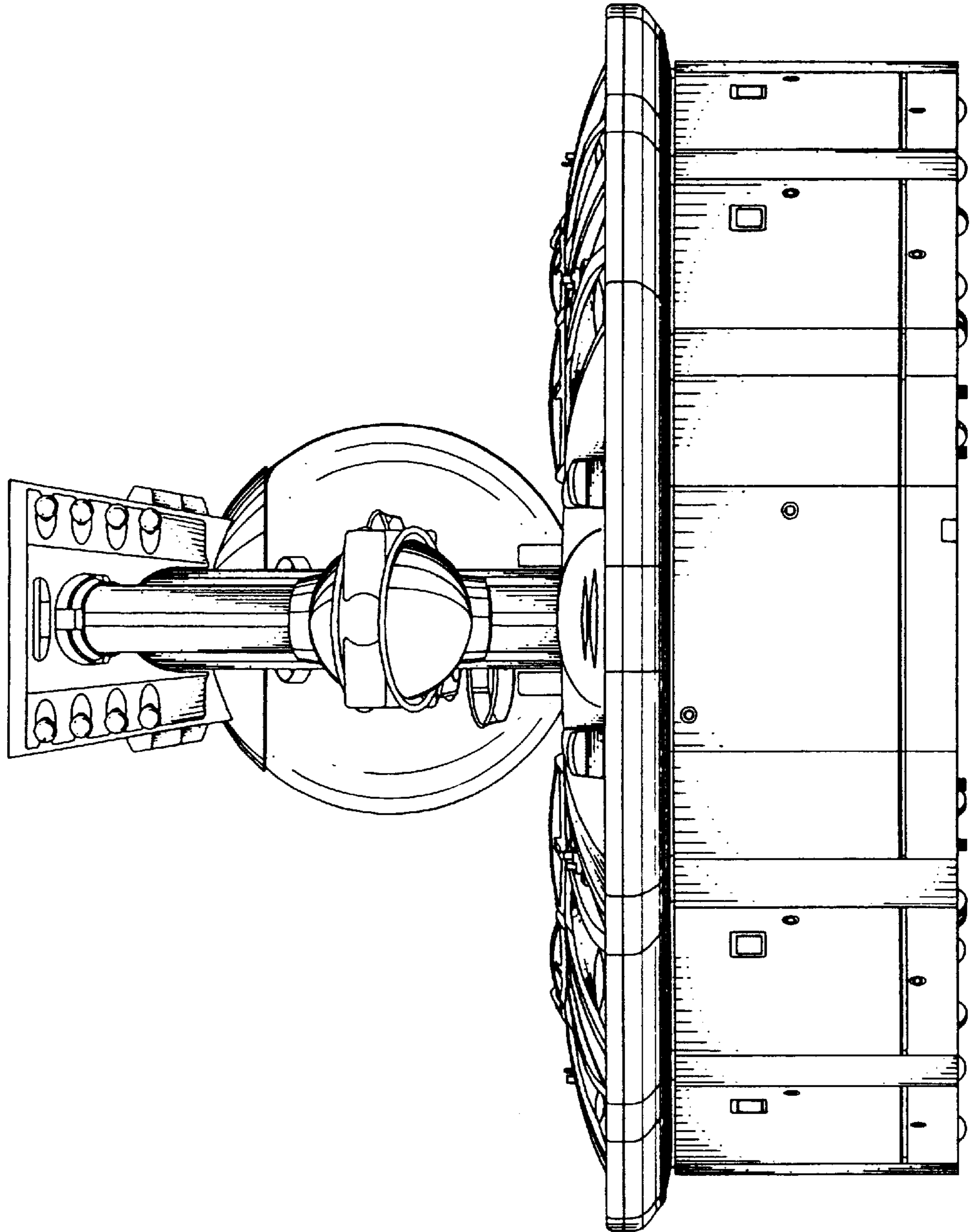


FIG. 8

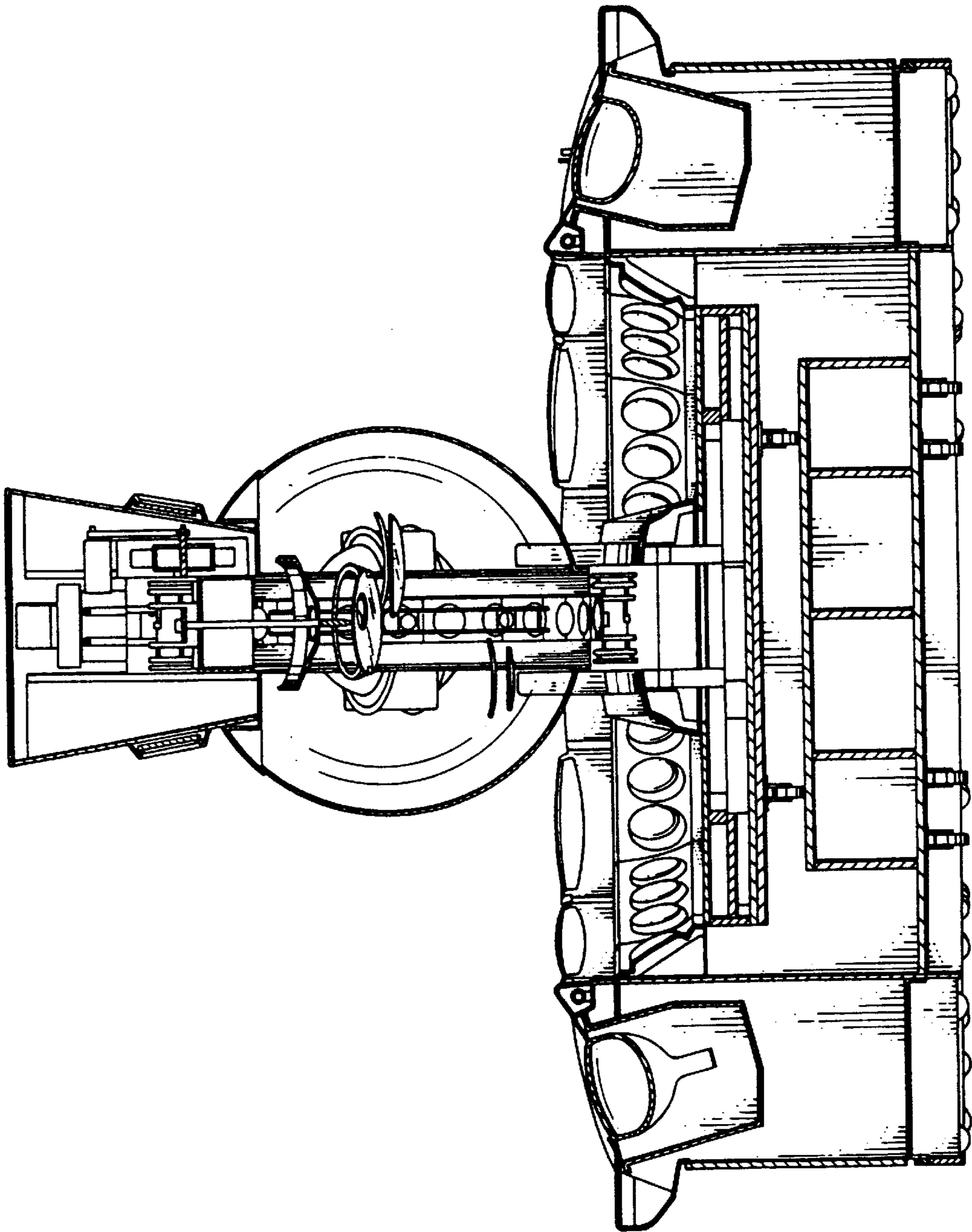


FIG. 9

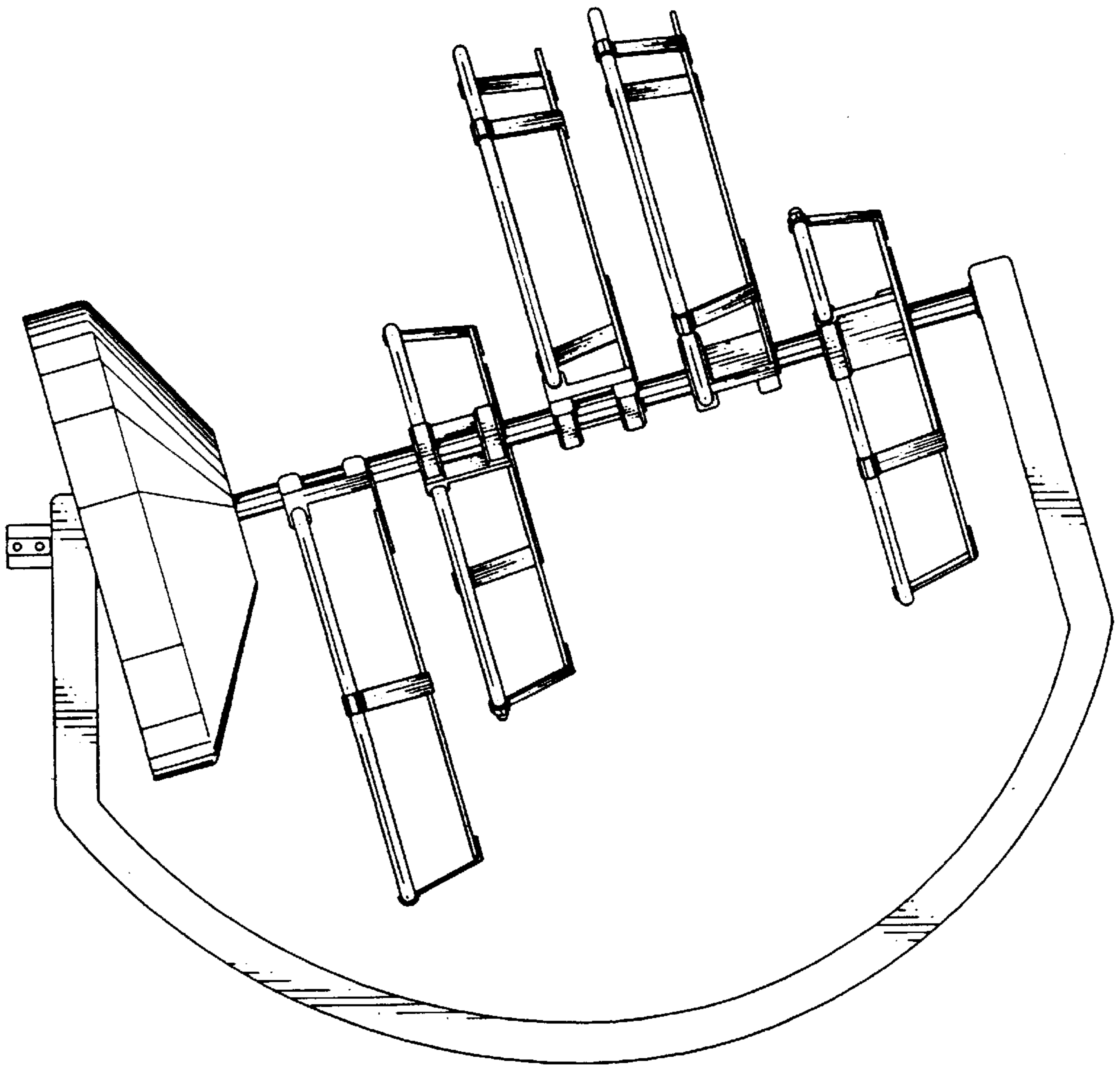


FIG. 10

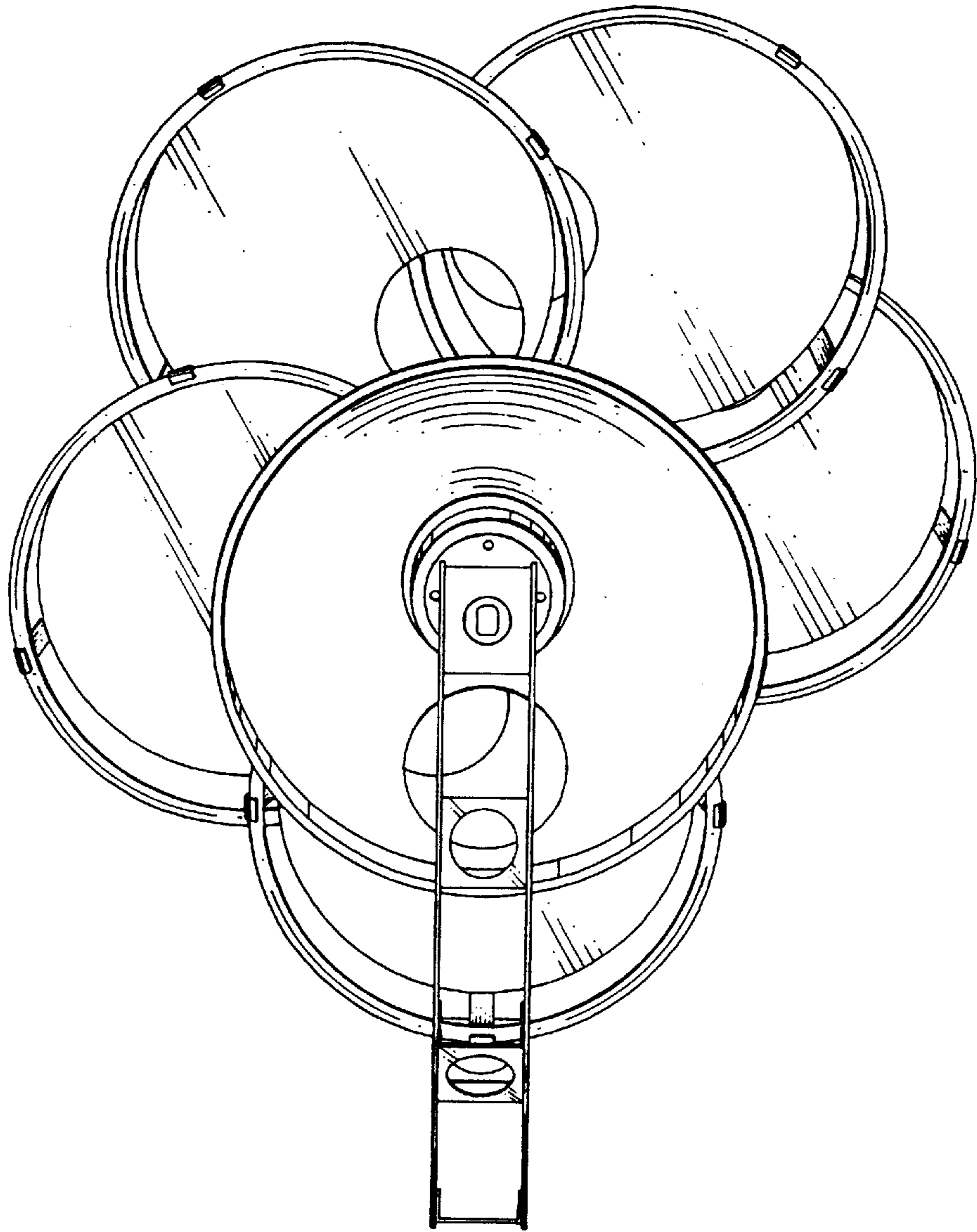


FIG. 11

