



US00D410253S

# United States Patent [19] Gagnon

[11] **Patent Number: Des. 410,253**

[45] **Date of Patent: \*\* May 25, 1999**

[54] **SIGN POST**

[75] Inventor: **Mario Gagnon**, Mt-Royal, Canada

[73] Assignee: **Home Colonial Sign Post**, Mascouche, Canada

[\*\*] Term: **14 Years**

[21] Appl. No.: **29/087,257**

[22] Filed: **Apr. 28, 1998**

[51] **LOC (6) Cl.** ..... **20-02**

[52] **U.S. Cl.** ..... **D20/41; D20/17**

[58] **Field of Search** ..... D25/127; 248/530,  
248/156, 511; D20/10, 41, 17; 40/584,  
606, 607

[56] **References Cited**

**U.S. PATENT DOCUMENTS**

D. 399,263	10/1998	Christopher	.....	D20/41
4,357,772	11/1982	Amick et al.	.....	40/605
4,843,746	7/1989	DesNoyers et al.	.....	40/607

*Primary Examiner*—Susan J. Lucas  
*Assistant Examiner*—Jennifer Rivard  
*Attorney, Agent, or Firm*—Jean H. Dubuc

[57] **CLAIM**

The ornamental design for a sign post, as shown and described.

**DESCRIPTION**

FIG. 1 is a perspective view of a sign post showing my new design;

FIG. 2 is a front elevation thereof;

FIG. 3 is a side elevation thereof as seen from the right of FIG. 2;

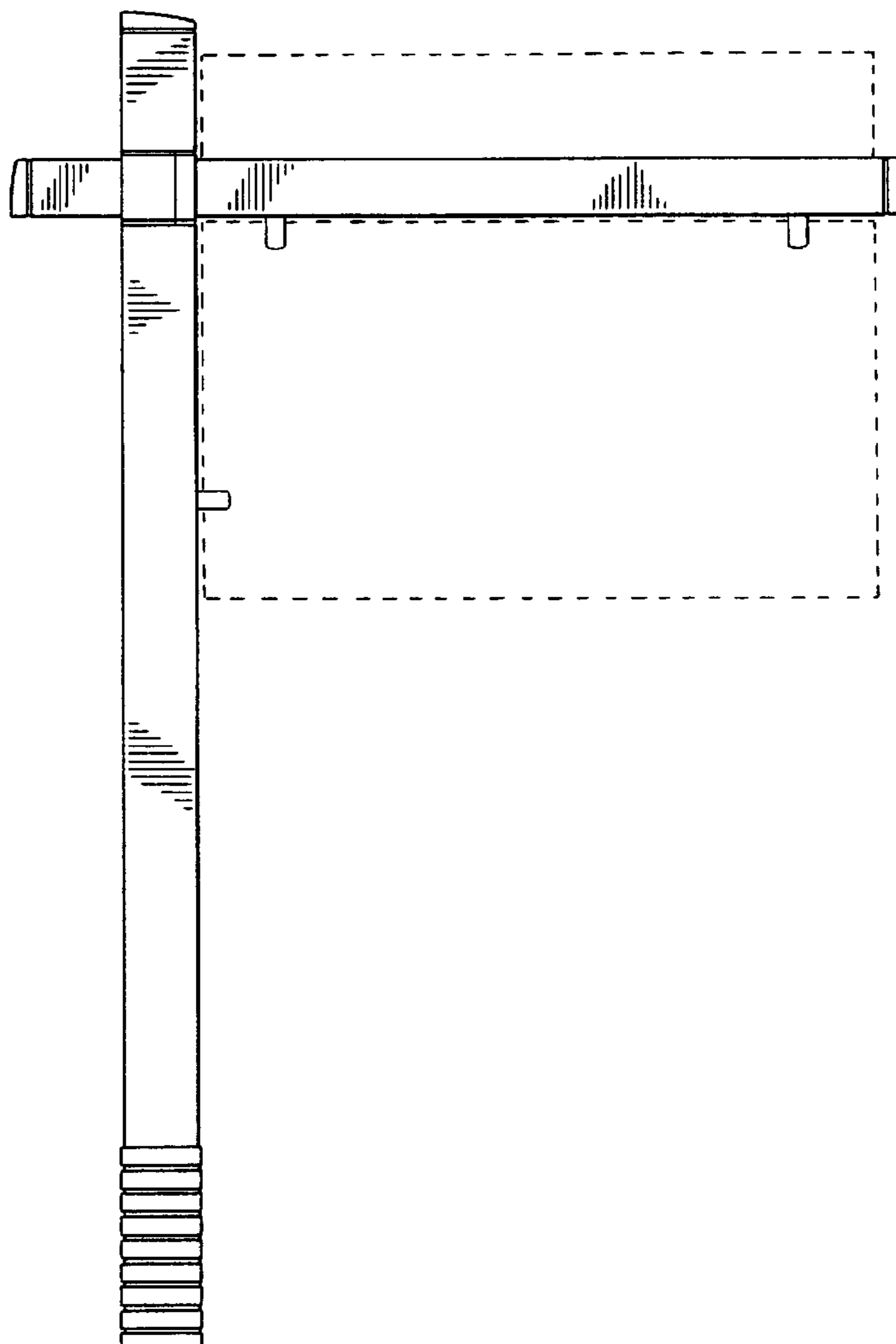
FIG. 4 is a side elevation thereof as seen from the left of FIG. 2;

FIG. 5 is a top plan view thereof; and,

FIG. 6 is a bottom plan view thereof.

The broken lines are shown for illustrative purposes only and form no part of the claimed design.

**1 Claim, 2 Drawing Sheets**



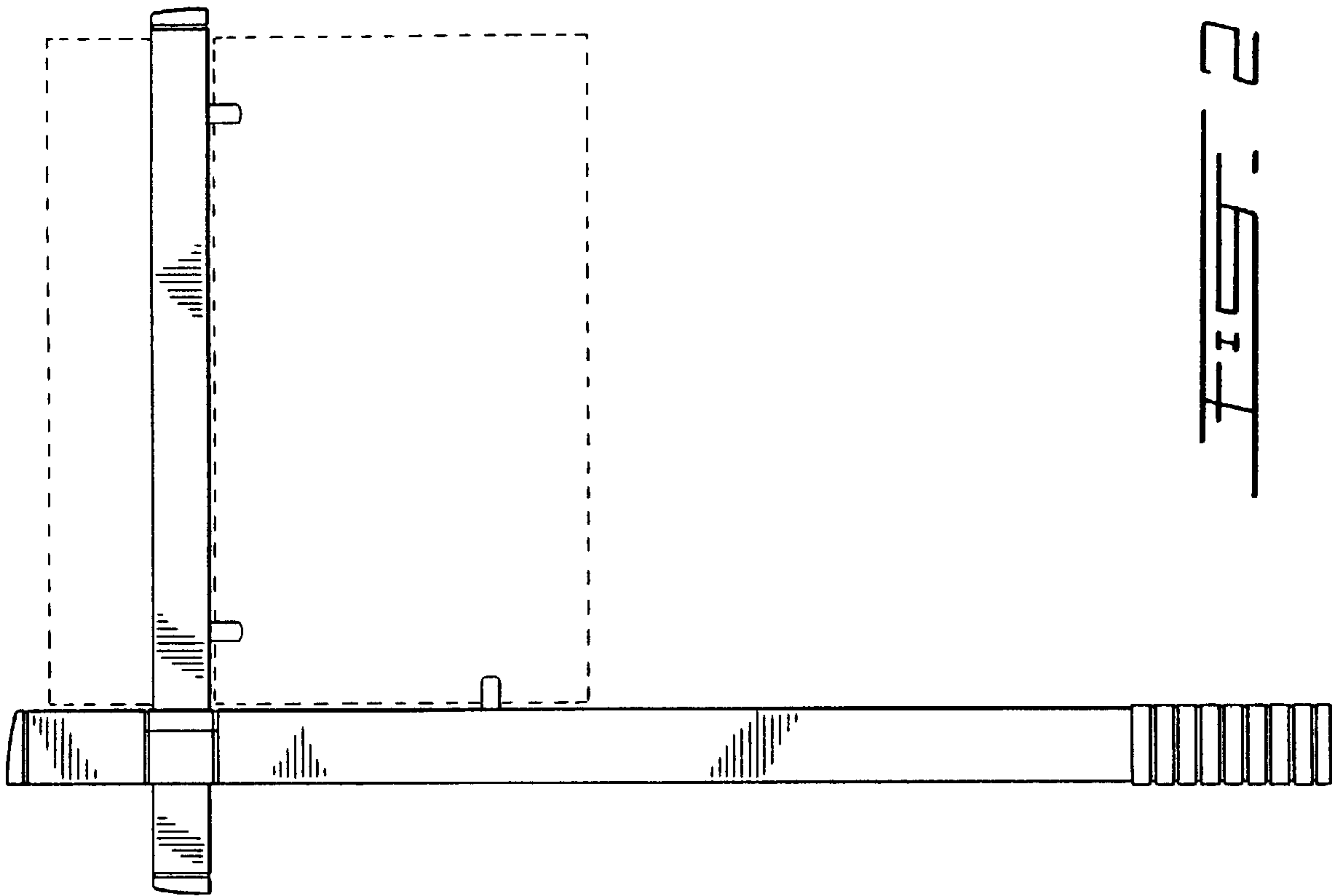


FIG. 2

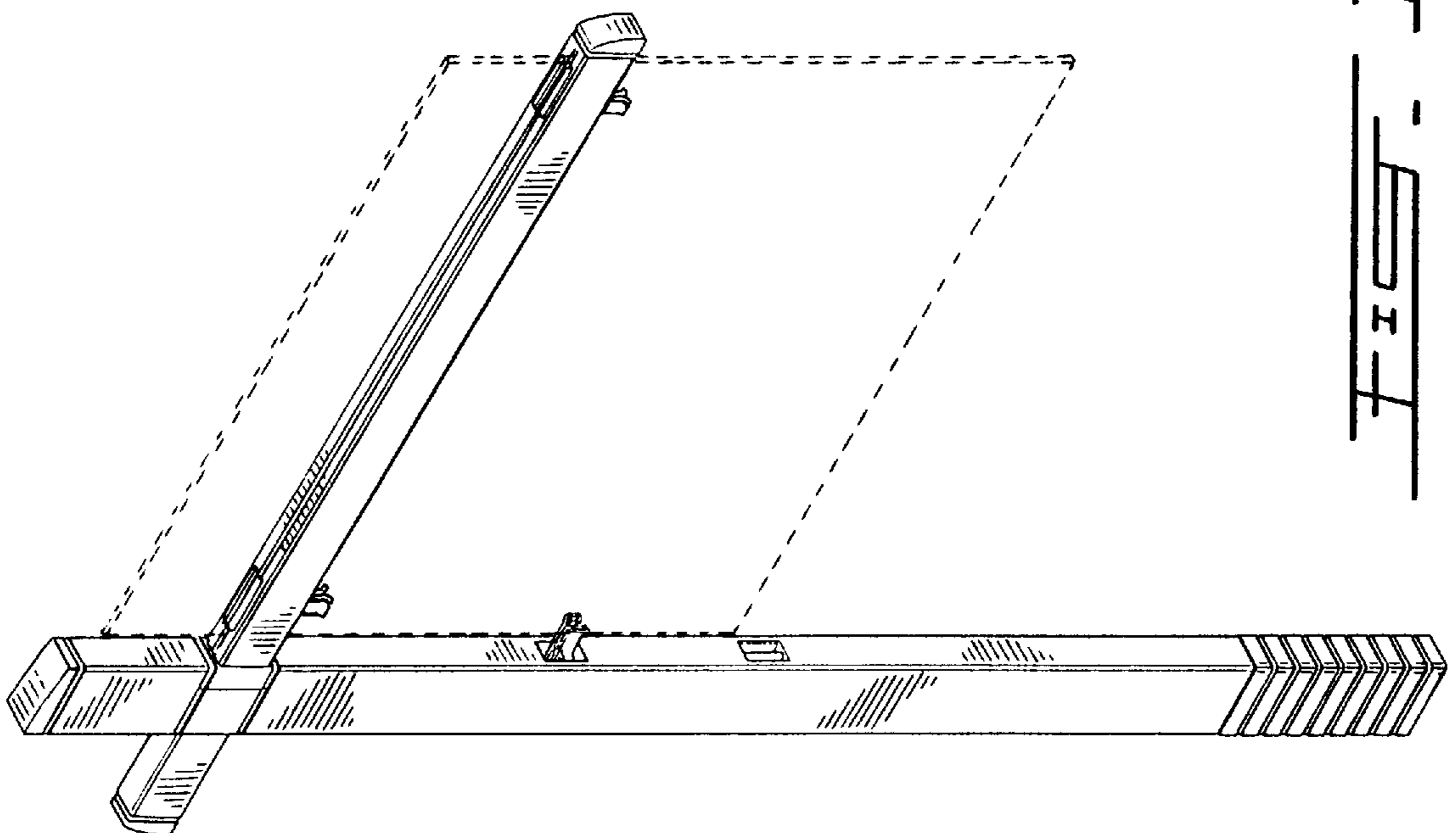


FIG. 1

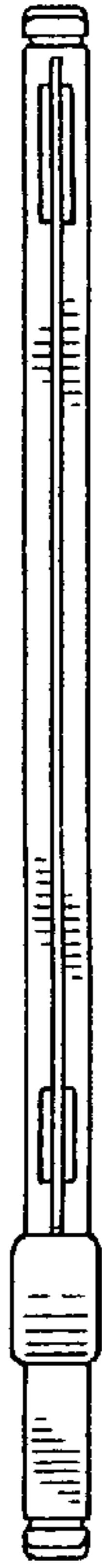


FIG. 5



FIG. 6



FIG. 4

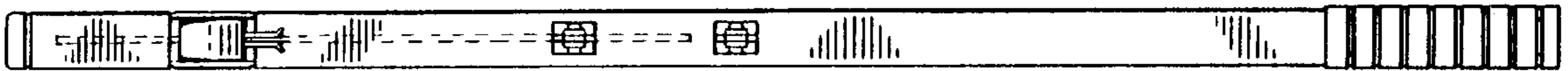


FIG. 3