



US00D410250S

United States Patent [19]

Robertson, Jr.

[11] Patent Number: **Des. 410,250**

[45] Date of Patent: **** May 25, 1999**

[54] **MARKER BOARD**

[75] Inventor: **Charles D. Robertson, Jr.**, Little Rock, Ark.

[73] Assignee: **Day Runner, Inc.**, Irvine, Calif.

[**] Term: **14 Years**

[21] Appl. No.: **29/073,517**

[22] Filed: **Jul. 14, 1997**

[51] **LOC (6) Cl.** **19-06**

[52] **U.S. Cl.** **D19/52; D19/83; D19/35; D19/42**

[58] **Field of Search** D20/10, 19, 39, D20/40, 42; D19/35, 36, 52, 65, 78, 81-85, 88, 90, 99, 100; 434/408, 415, 417-419, 421, 422, 428, 430; 40/1, 124.04, 124.01

[56] **References Cited**

U.S. PATENT DOCUMENTS

177,589	5/1876	Thomas	434/415
D. 228,132	8/1973	Fichtel	D19/52
D. 280,216	8/1985	Boklund	D19/52

D. 343,865	2/1994	Pohl	D19/78
457,947	8/1891	Worley	434/415
799,167	9/1905	Jorgensen	434/415
5,743,414	4/1998	Baucino	211/69.1

Primary Examiner—Martie K. Holtje
Attorney, Agent, or Firm—Pretty, Schroeder & Poplawski

[57] **CLAIM**

The ornamental design for a marker board, as shown and described.

DESCRIPTION

FIG. 1 is a isometric view of my marker board taken from the front and top thereof;
FIG. 2 is a isometric view taken from the rear and top of FIG. 1;
FIG. 3 is a front elevational view thereof;
FIG. 4 is a right side elevational view taken from the right of FIG. 1, with the opposite side being a mirror image;
FIG. 5 is a bottom plan view thereof;
FIG. 6 is a top plan view; and,
FIG. 7 is a rear elevational view taken from the rear of FIG. 1.

1 Claim, 4 Drawing Sheets

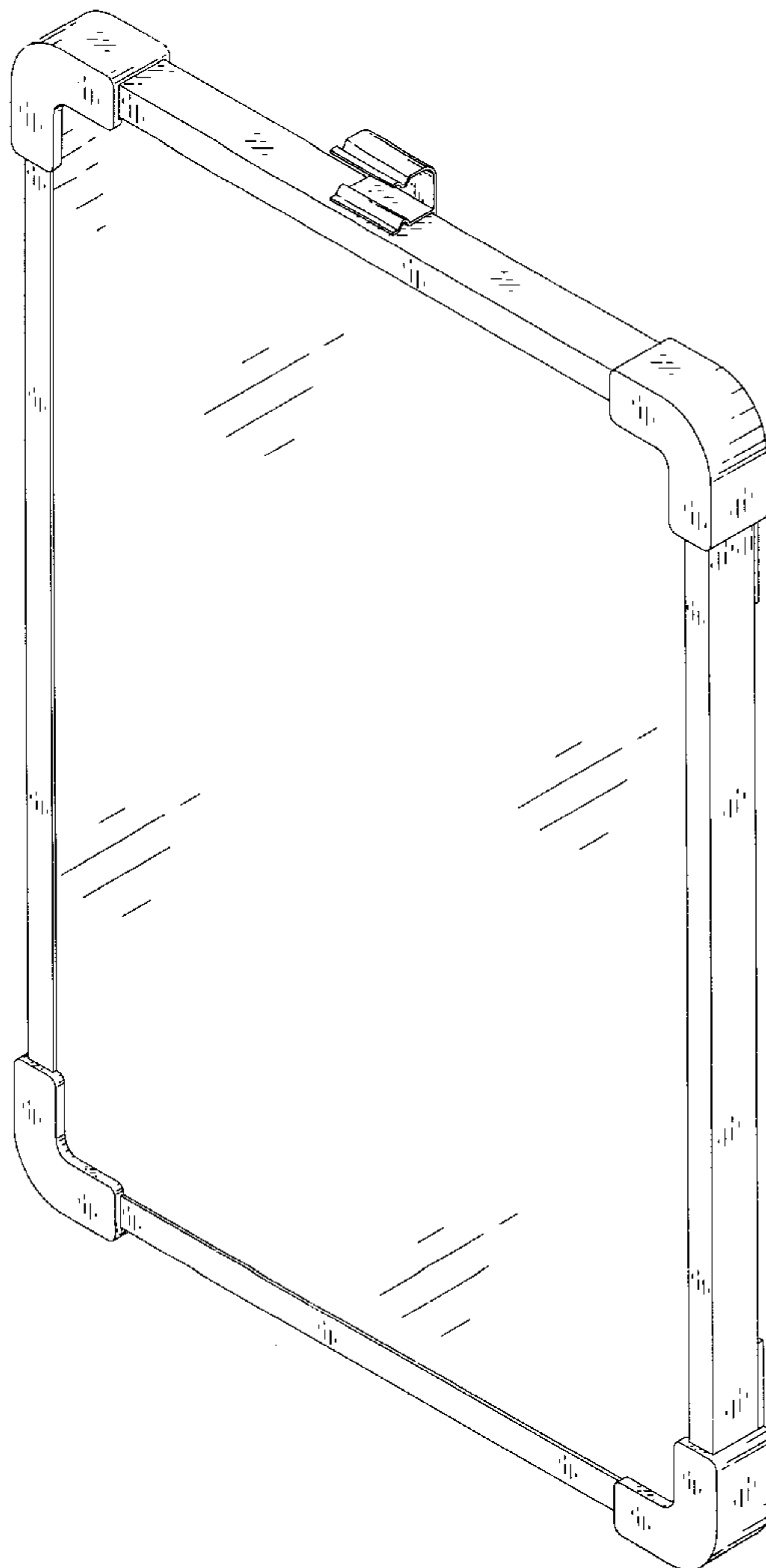


FIG. 1

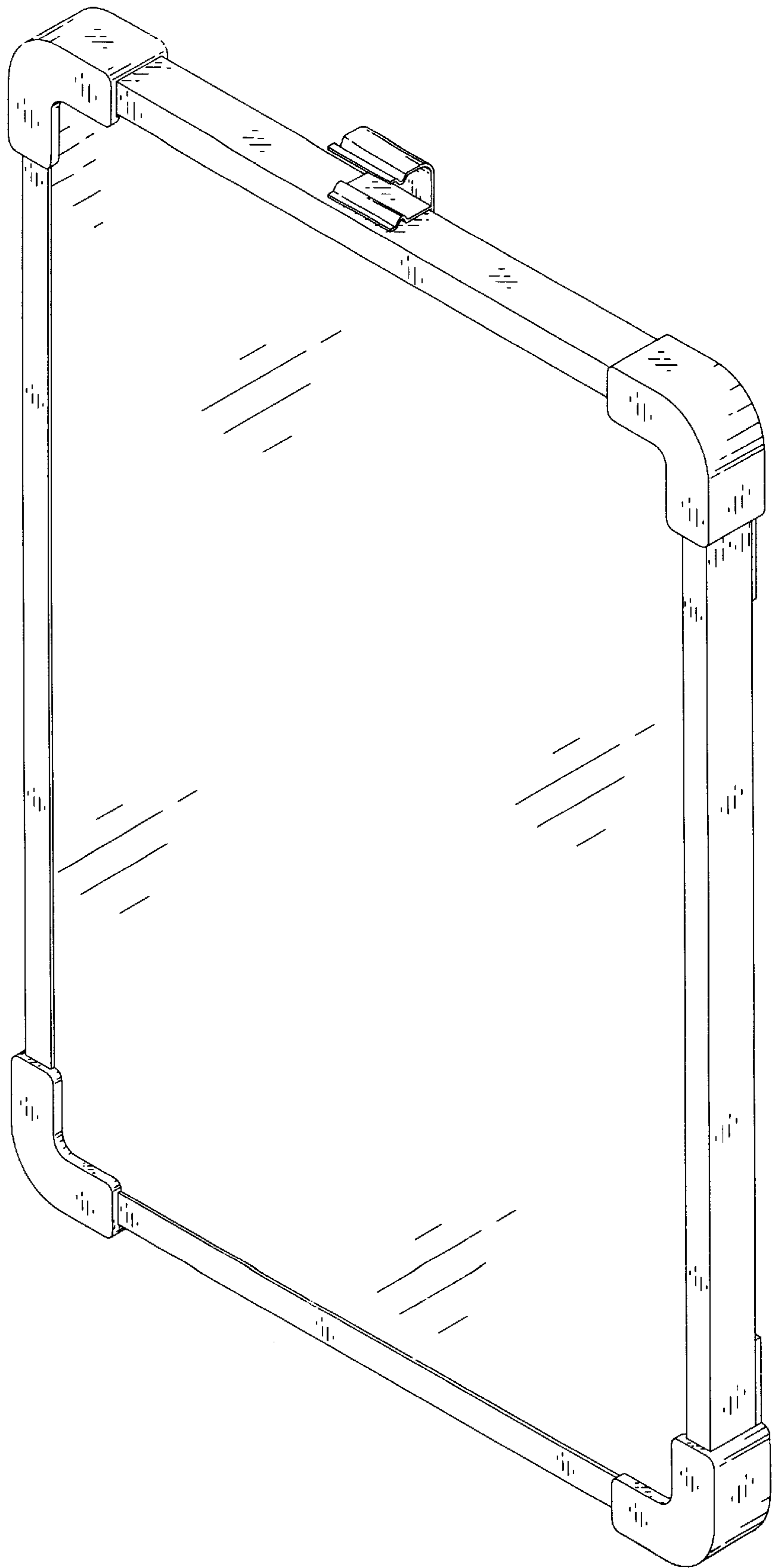


FIG. 2

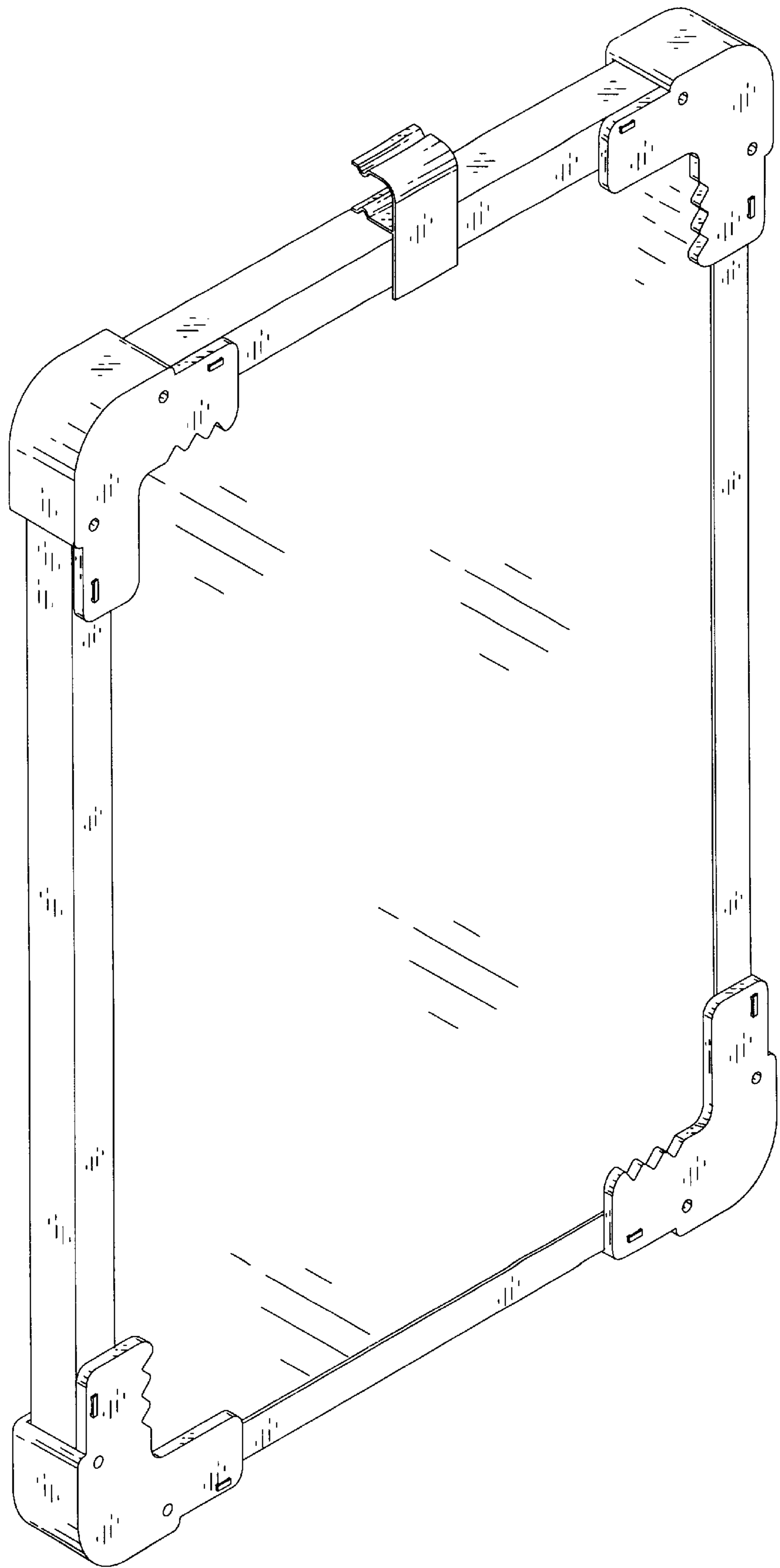


FIG. 3

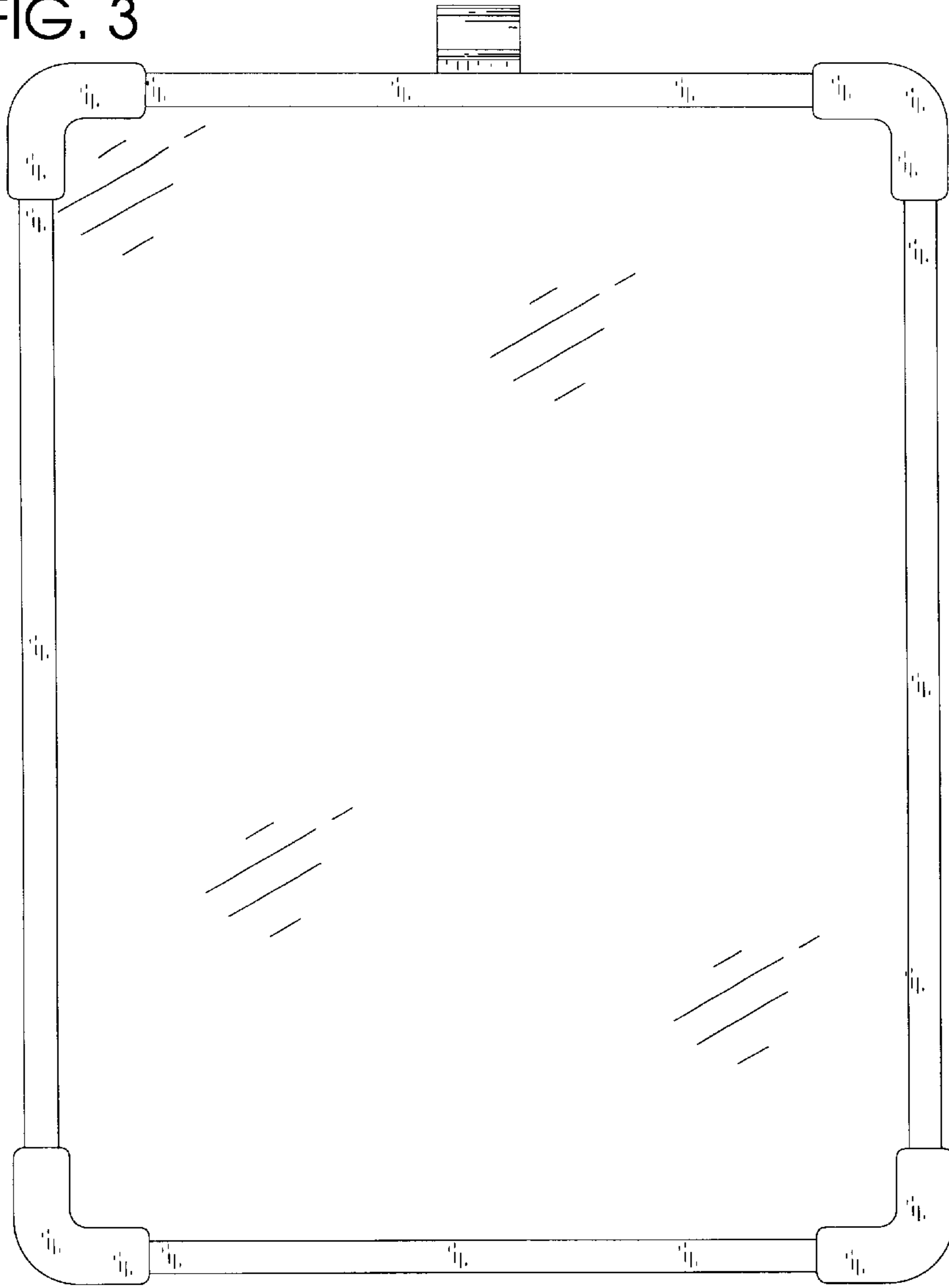


FIG. 4

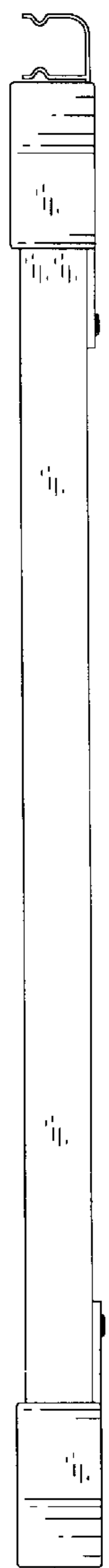


FIG. 5

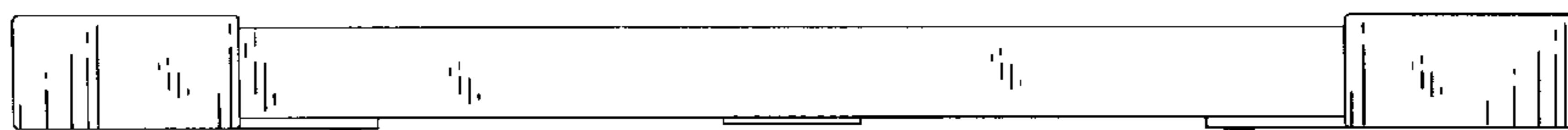


FIG. 6

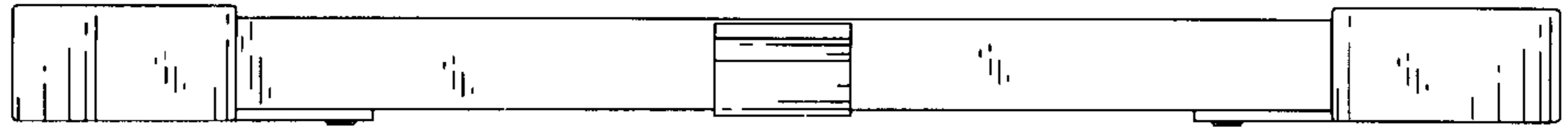


FIG. 7

