



US00D410248S

United States Patent [19]

Gasvoda et al.

[11] Patent Number: Des. 410,248

[45] Date of Patent: ** May 25, 1999

[54] END CAP FOR A FLUID CONTAINER

[75] Inventors: Eric L. Gasvoda, Salem; Susan M. Hmelar, Corvallis, both of Oreg.

[73] Assignee: Hewlett-Packard Company, Palo Alto, Calif.

[**] Term: 14 Years

[21] Appl. No.: 29/086,325

[22] Filed: Apr. 9, 1998

Related U.S. Application Data

[63] Continuation-in-part of application No. 08/566,521, Dec. 4, 1995, and a continuation-in-part of application No. 08/868,773, Jun. 4, 1997, and a continuation-in-part of application No. 29/055,382, Jun. 5, 1996.

[51] LOC (6) Cl. 18-02

[52] U.S. Cl. D18/56

[58] Field of Search D18/56, 43; 347/86, 347/87, 88, 43, 99, 32, 33

[56] References Cited

U.S. PATENT DOCUMENTS

D. 378,529	3/1997	Tashiro et al.	D18/56
D. 391,986	3/1998	Steinmetz et al.	D19/56
4,551,734	11/1985	Causley et al.	347/86
5,182,579	1/1993	Haruta et al.	347/87

5,552,816	9/1996	Oda et al.	347/86
5,593,545	1/1997	Pawlowski, Jr. et al.	347/86
5,629,728	5/1997	Karita et al.	347/87
5,732,751	3/1998	Schmidt et al.	347/86
5,734,401	3/1998	Clark et al.	347/86
5,777,646	7/1998	Barinaga et al.	347/86
5,784,087	7/1998	Wallace et al.	347/86
5,825,387	10/1998	Cowger et al.	347/86

FOREIGN PATENT DOCUMENTS

360219061	11/1985	Japan	347/86
403248848	11/1991	Japan	347/86

Primary Examiner—Cathy Anne MacCormac
Attorney, Agent, or Firm—Kevin B. Sullivan

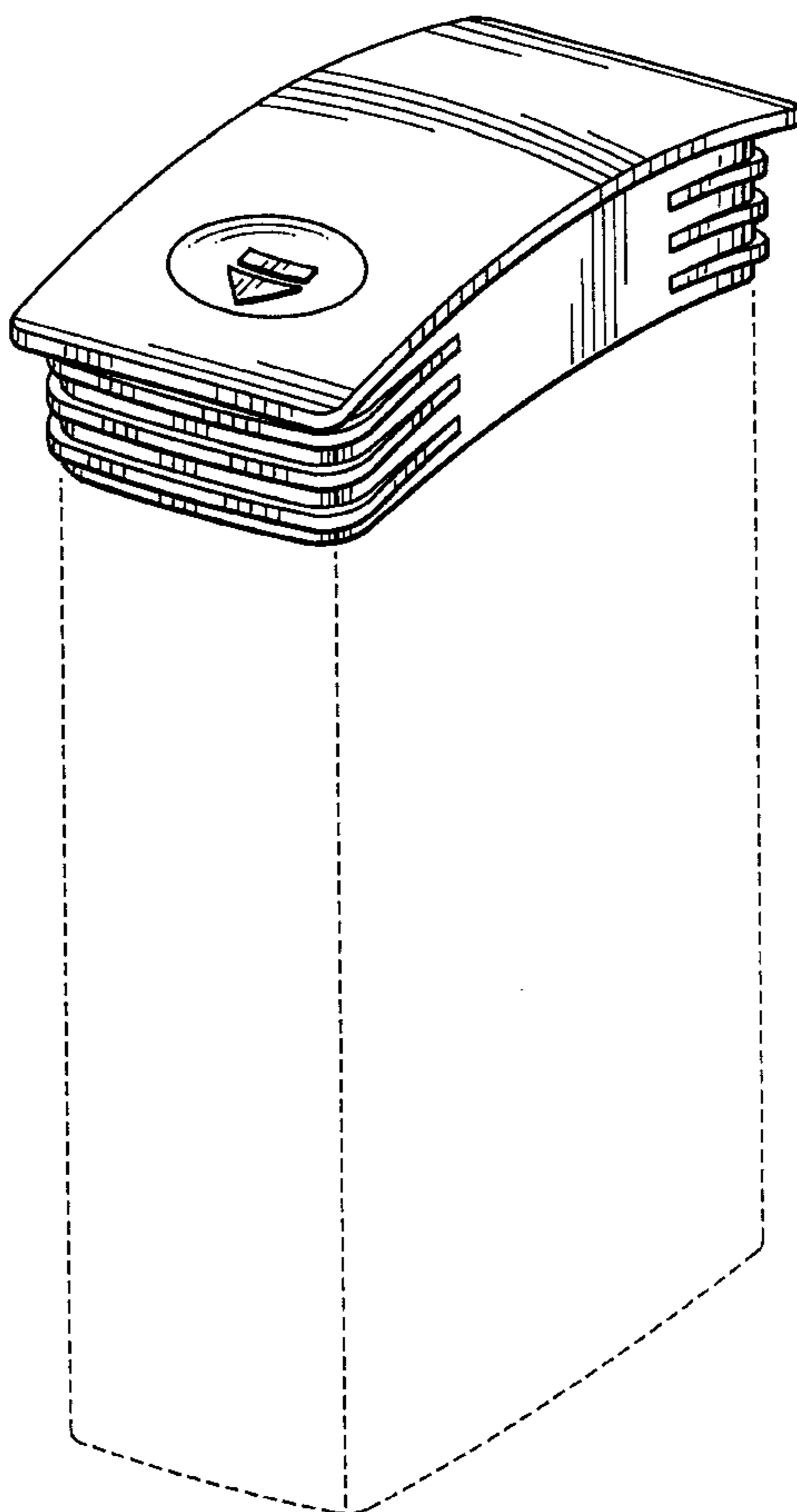
[57] CLAIM

We claim the ornamental design for an end cap for a fluid container, as shown and described.

DESCRIPTION

FIG. 1 is a top, front, and left side perspective view of an end cap for a fluid container showing our new design; FIG. 2 is a front elevational view thereof with the back elevational view being a mirror image to the front; FIG. 3 is a left side plan view thereof; FIG. 4 is a right side plan view thereof; FIG. 5 is a top plan view thereof; and, FIG. 6 is a bottom plan view thereof.

1 Claim, 2 Drawing Sheets



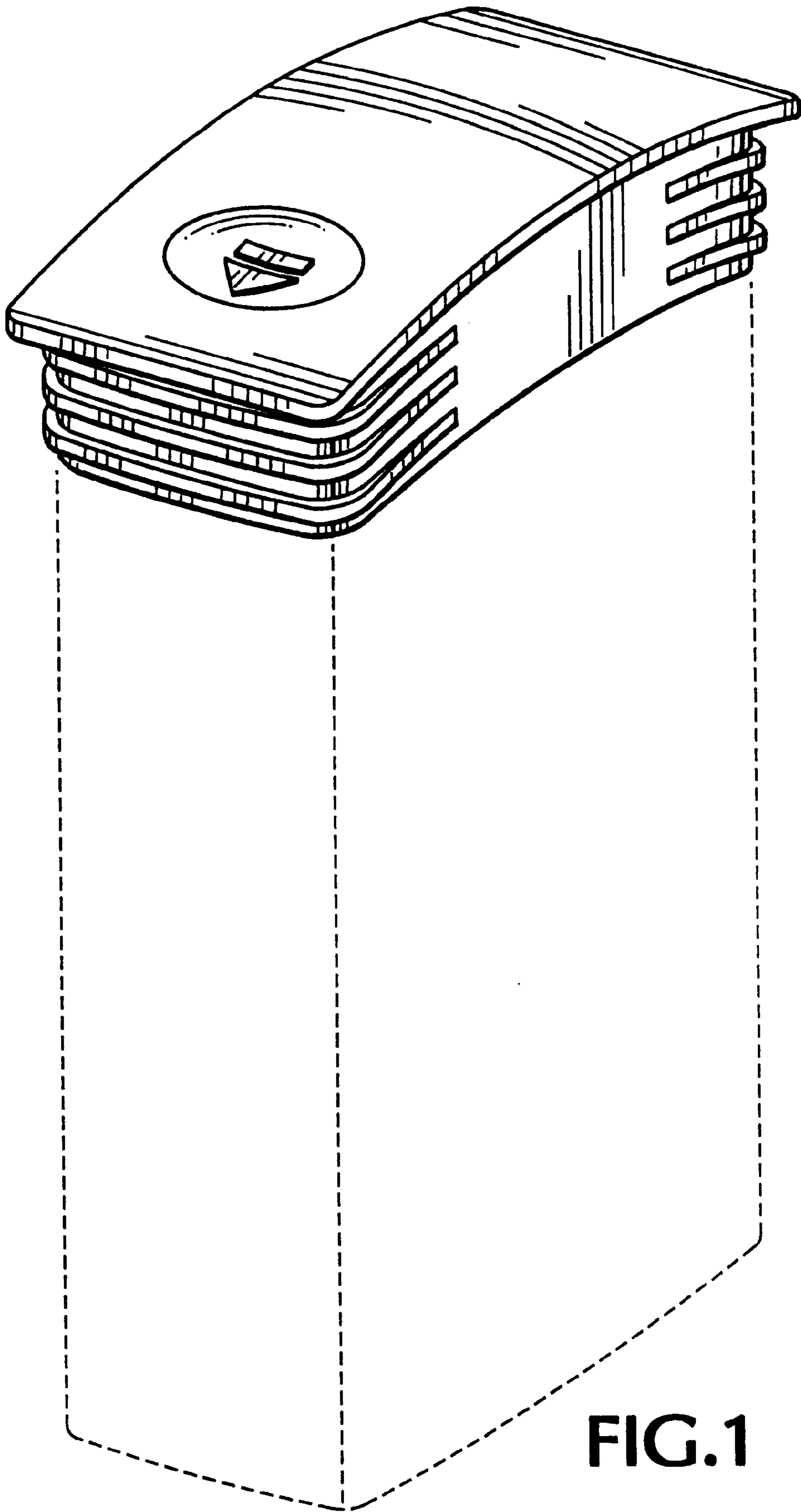


FIG. 1

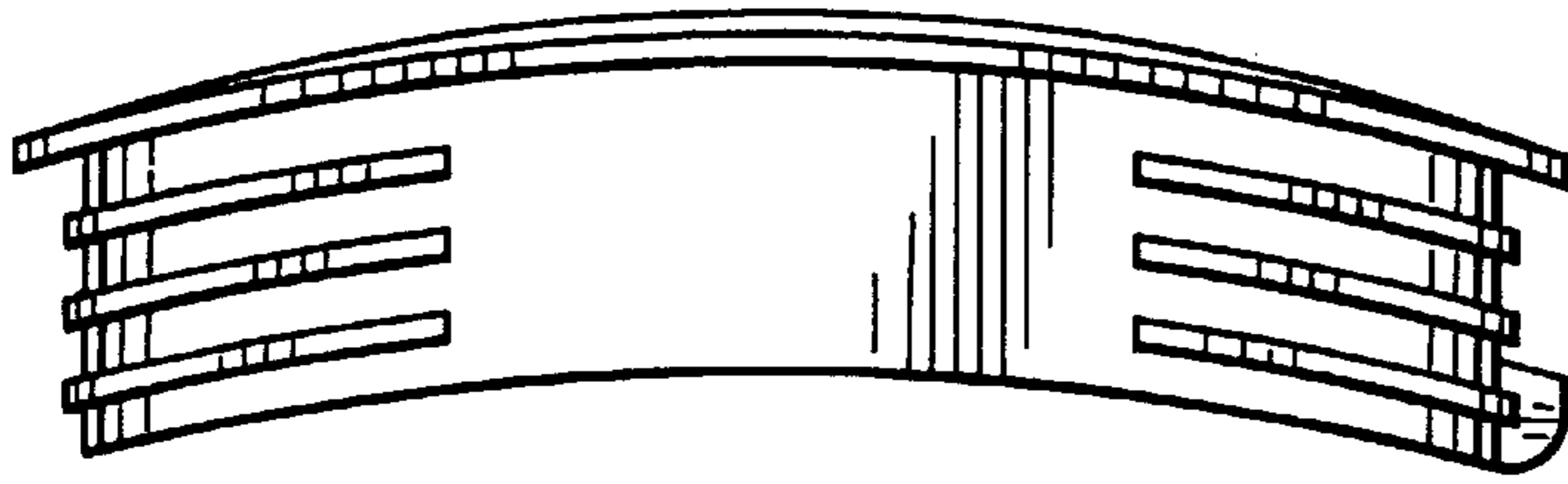


FIG. 2

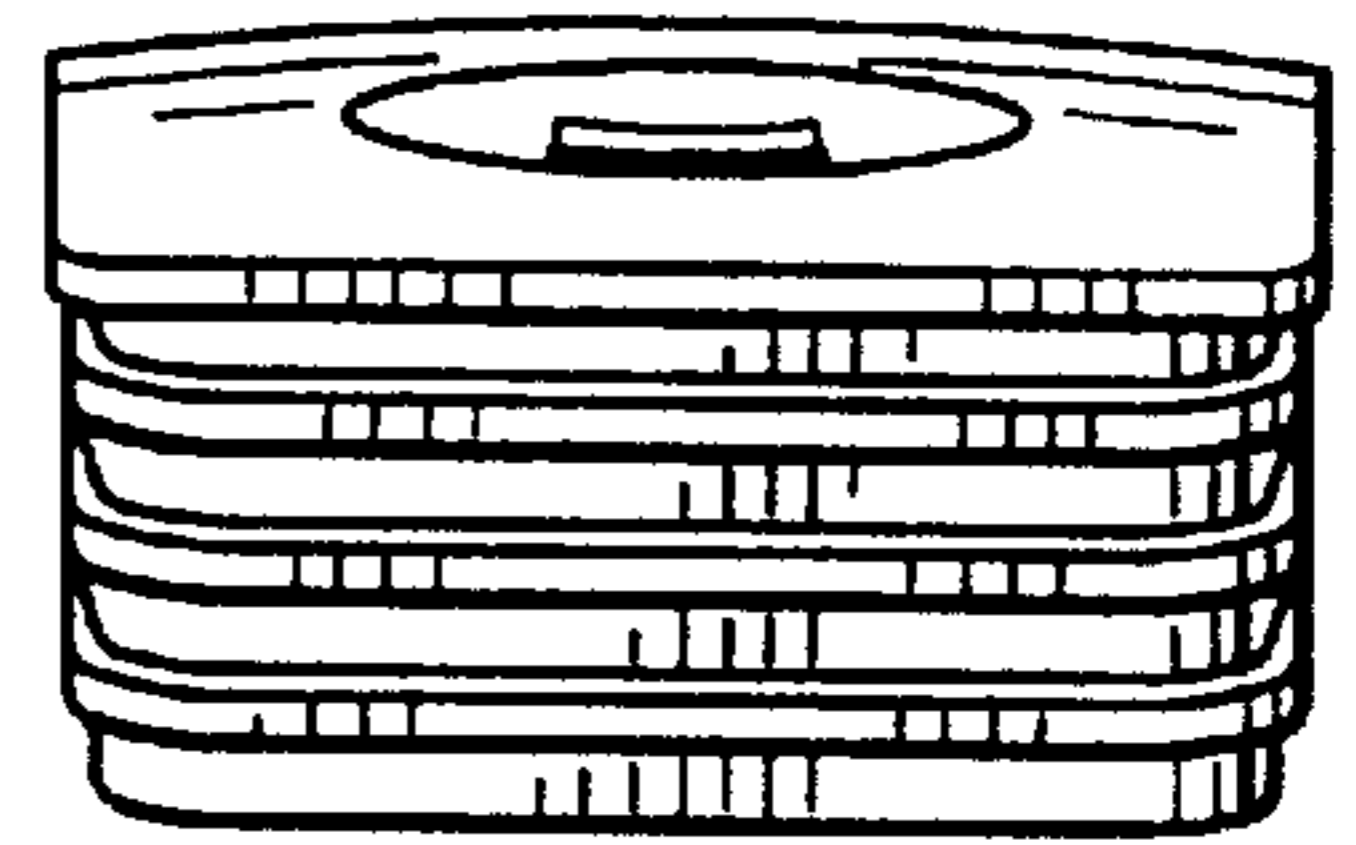


FIG. 3

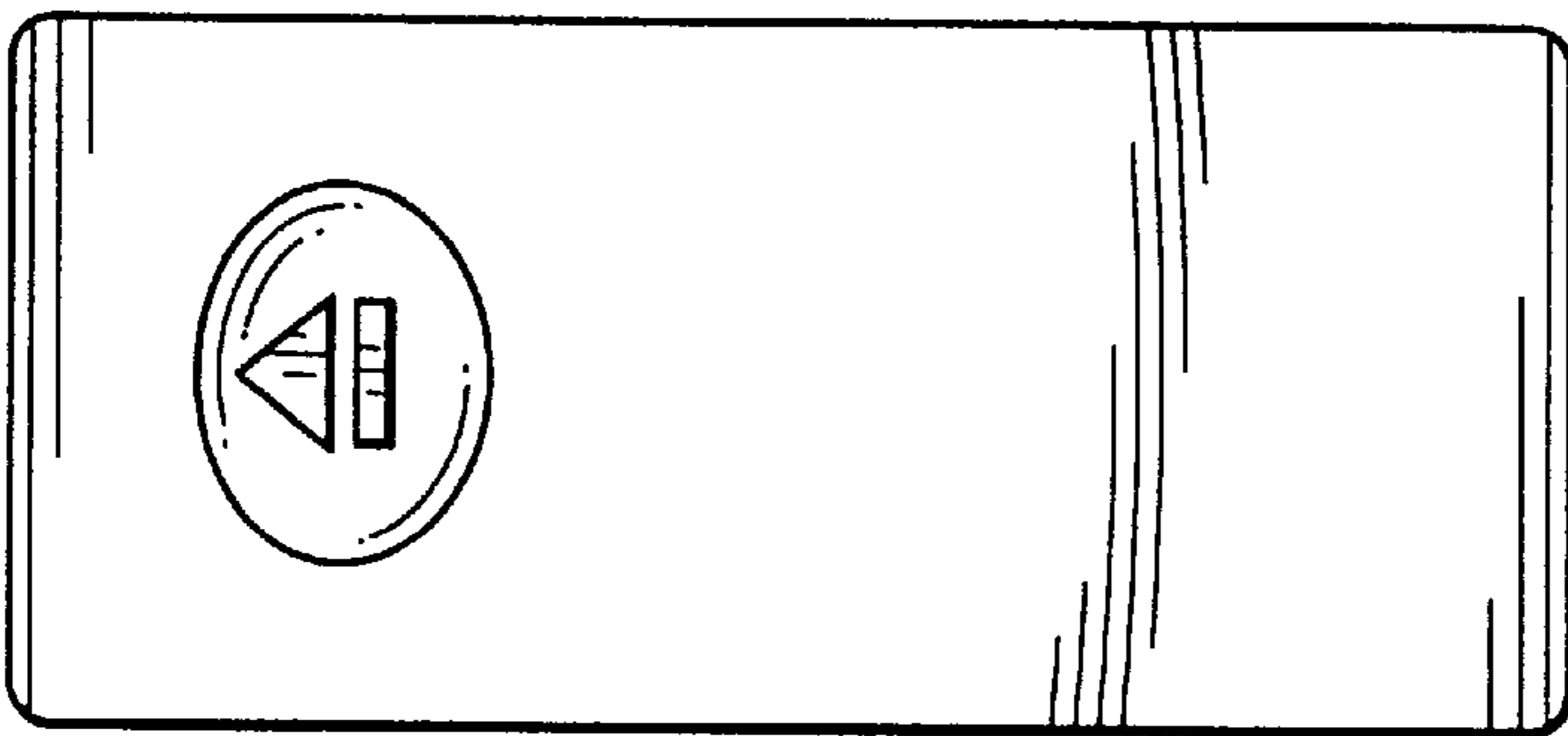


FIG. 5

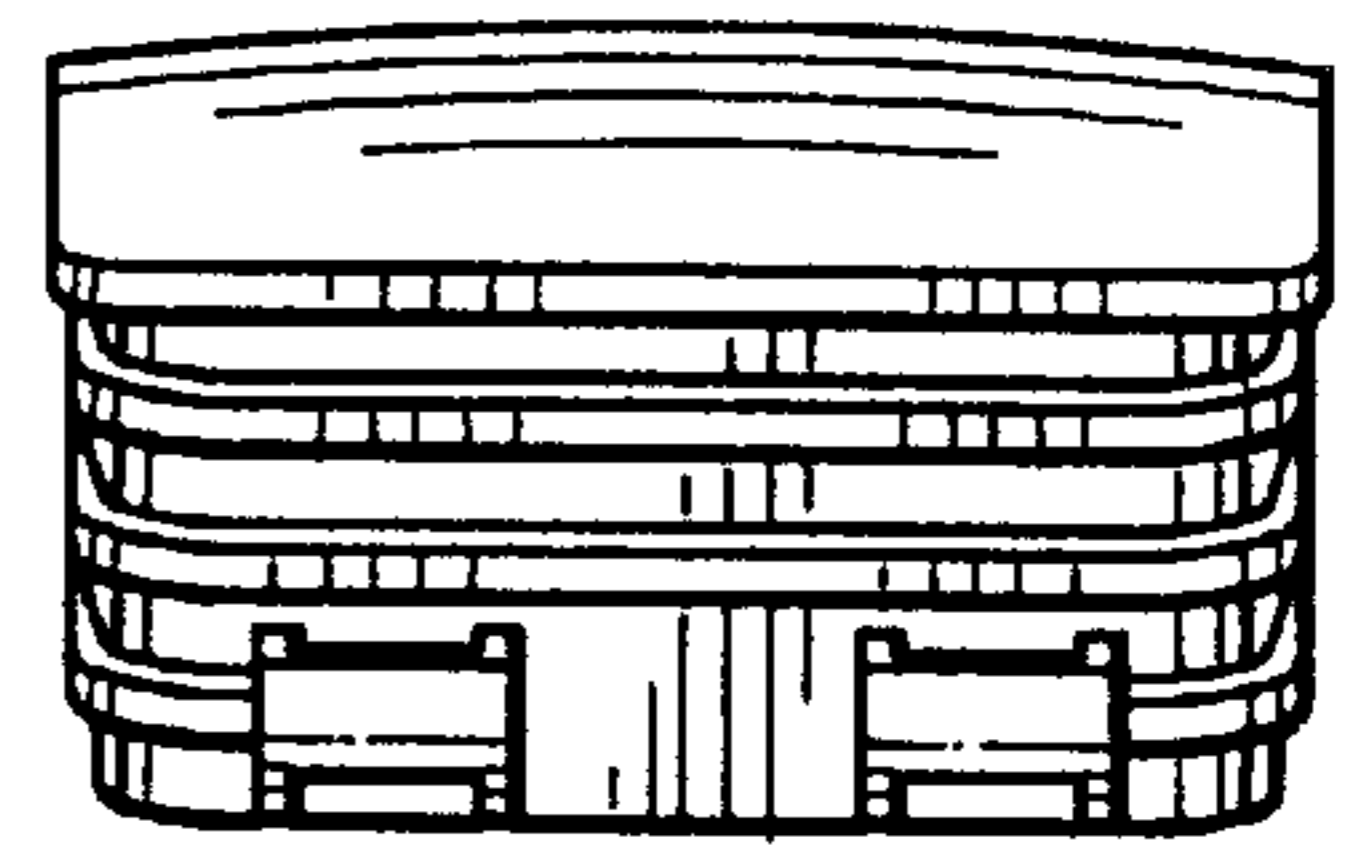


FIG. 4

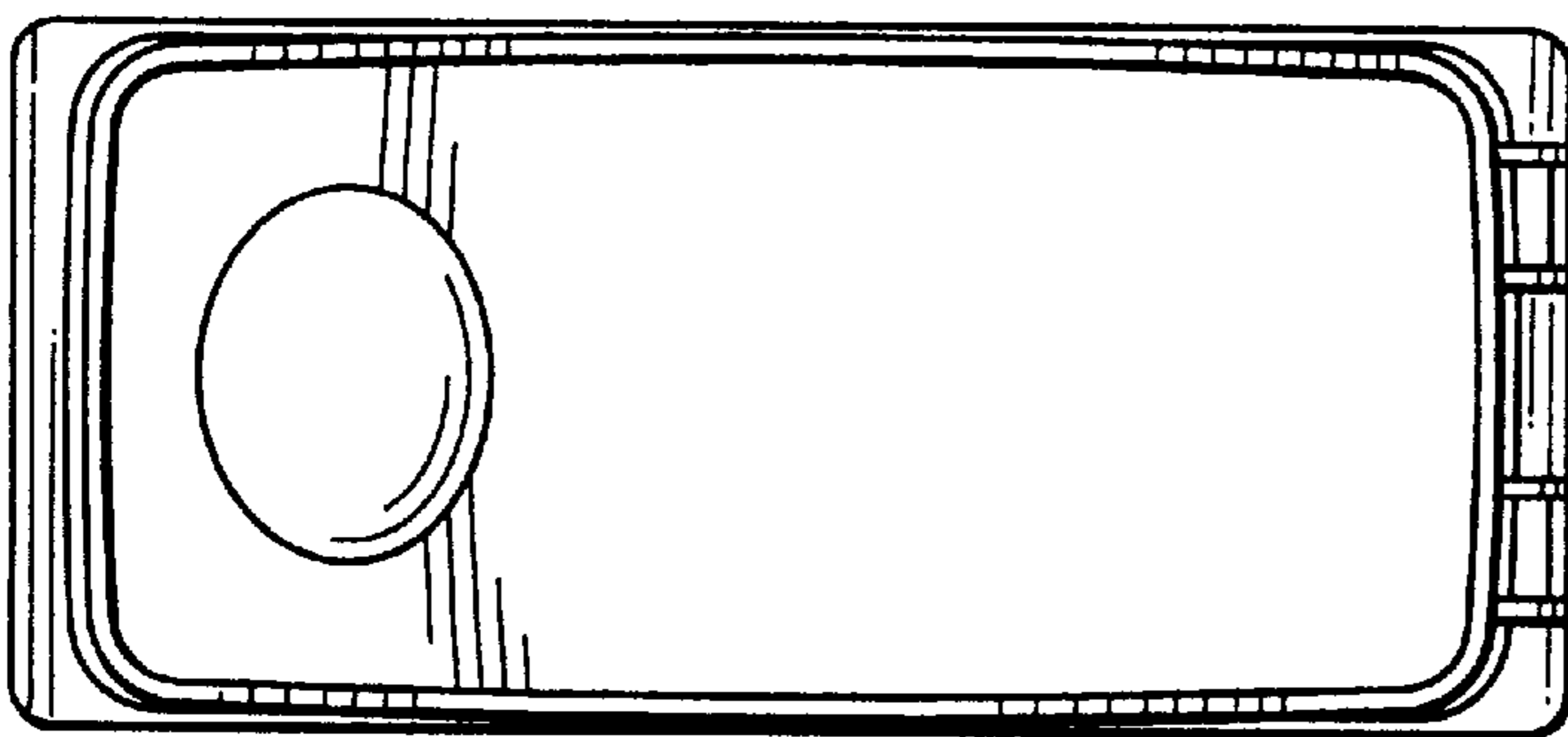


FIG. 6