



US00D410247S

United States Patent [19]

[11] Patent Number: **Des. 410,247**

Nomura

[45] Date of Patent: **** May 25, 1999**

[54] SUPPLY UNIT FOR SUPPLYING A DEVELOPER FOR A COPYING MACHINE

[75] Inventor: **Susumu Nomura**, Yokohama, Japan

[73] Assignee: **Kabushiki Kaisha Toshiba**, Kawasaki, Japan

[**] Term: **14 Years**

[21] Appl. No.: **29/084,162**

[22] Filed: **Feb. 25, 1998**

[30] Foreign Application Priority Data

Nov. 4, 1997 [JP] Japan 9-73409

[51] LOC (6) Cl. **16-03**

[52] U.S. Cl. **D18/43; D18/40**

[58] Field of Search D18/36, 40, 43, D18/56; 399/24, 25, 27, 28, 61-64, 99, 106, 110, 111, 119, 120, 252, 256, 258, 262; 355/245, 260

[56] References Cited

U.S. PATENT DOCUMENTS

- D. 310,240 8/1990 Smith D18/43
- D. 358,163 5/1995 Nomura D18/43
- 5,517,285 5/1996 Nomura et al. 355/245

FOREIGN PATENT DOCUMENTS

- 898722 5/1994 Japan .
- 898722-1 5/1994 Japan .
- 940744 12/1995 Japan .
- 962580 9/1996 Japan .
- 962592 9/1996 Japan .
- 962615 9/1996 Japan .
- 1000992 1/1998 Japan .

Primary Examiner—Caron D. Veynar
Attorney, Agent, or Firm—Limbach & Limbach L.L.P.

[57] CLAIM

The ornamental design for supply unit for supplying a developer for a copying machine, as shown.

DESCRIPTION

FIG. 1 is a front, top and right side perspective view of supply unit for supplying a developer for a copying machine, showing my new design;

FIG. 2 is a front elevational view thereof;

FIG. 3 is a right side elevational view thereof;

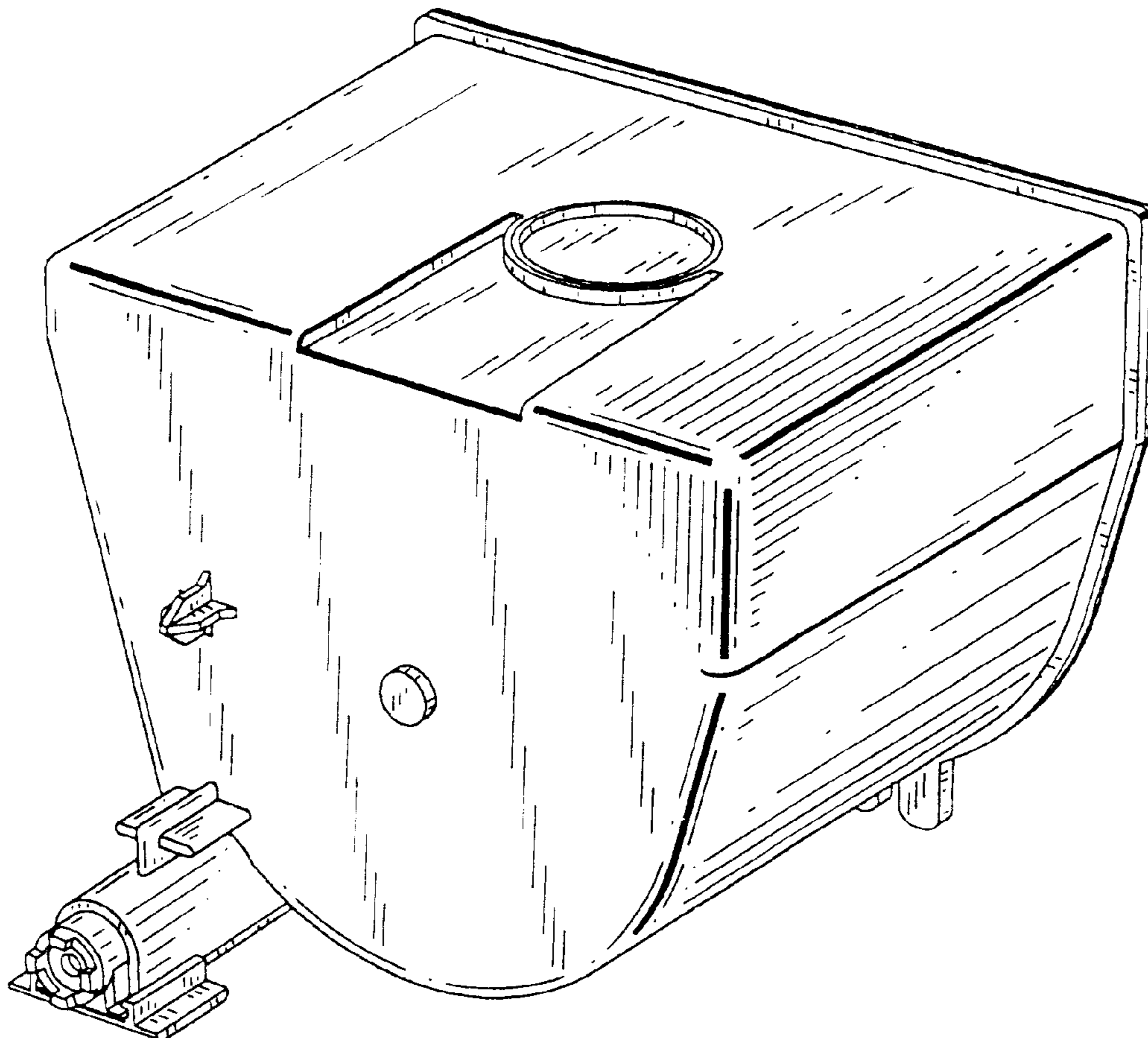
FIG. 4 is a top plan view thereof;

FIG. 5 is a rear elevational view thereof;

FIG. 6 is a left side elevational view thereof; and,

FIG. 7 is a bottom plan view thereof.

1 Claim, 3 Drawing Sheets



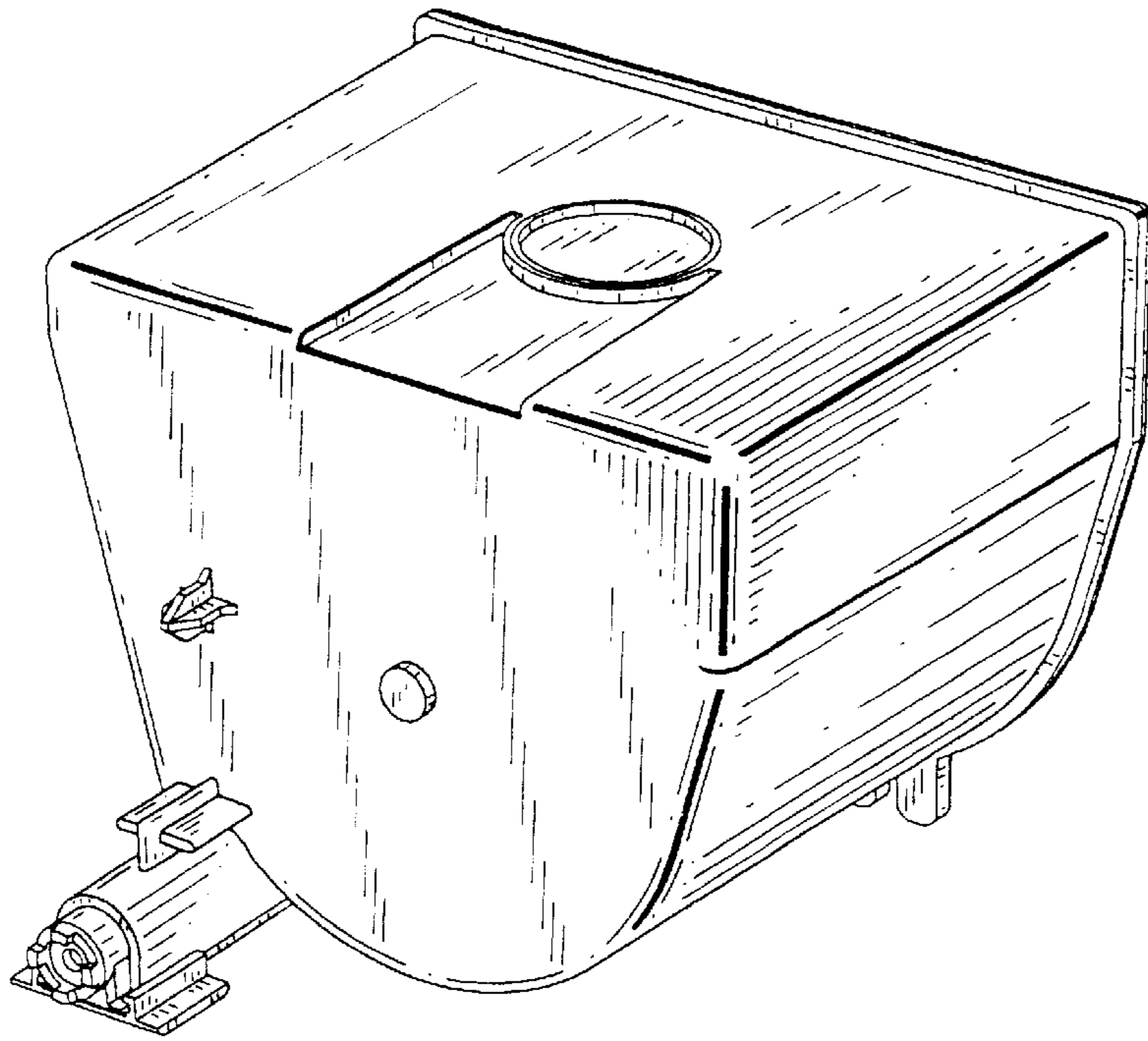


Fig. 1

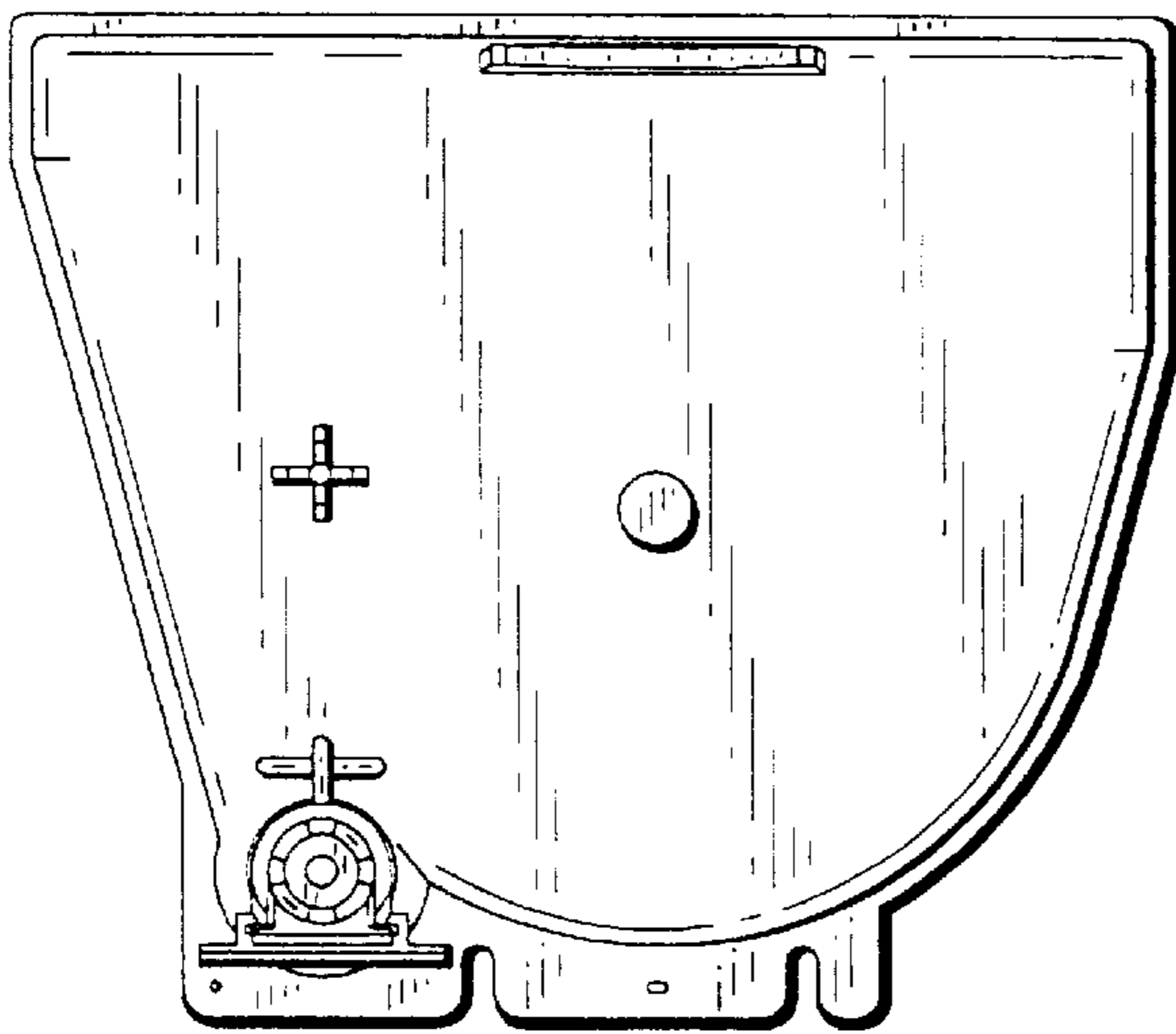


Fig. 2

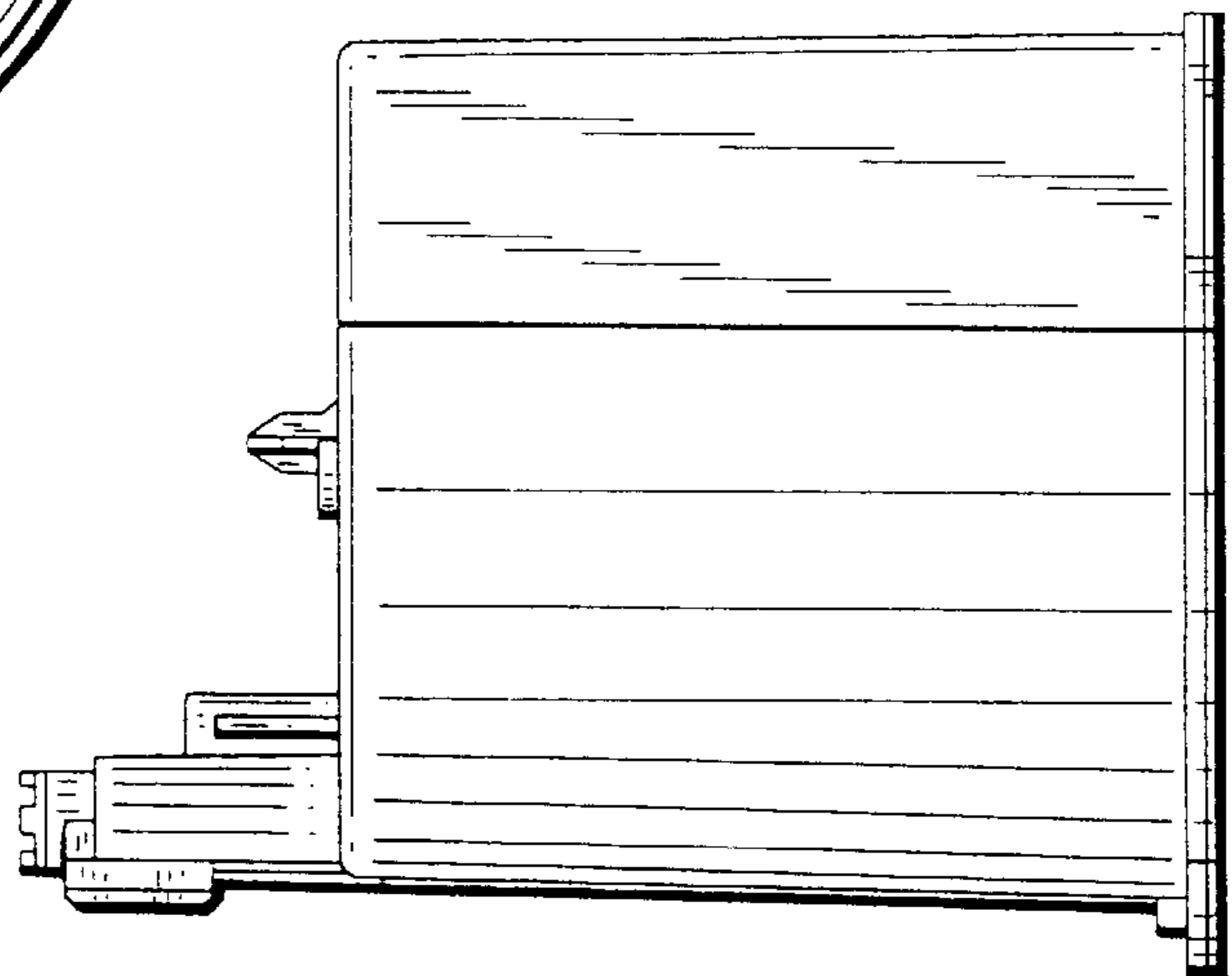


Fig. 3

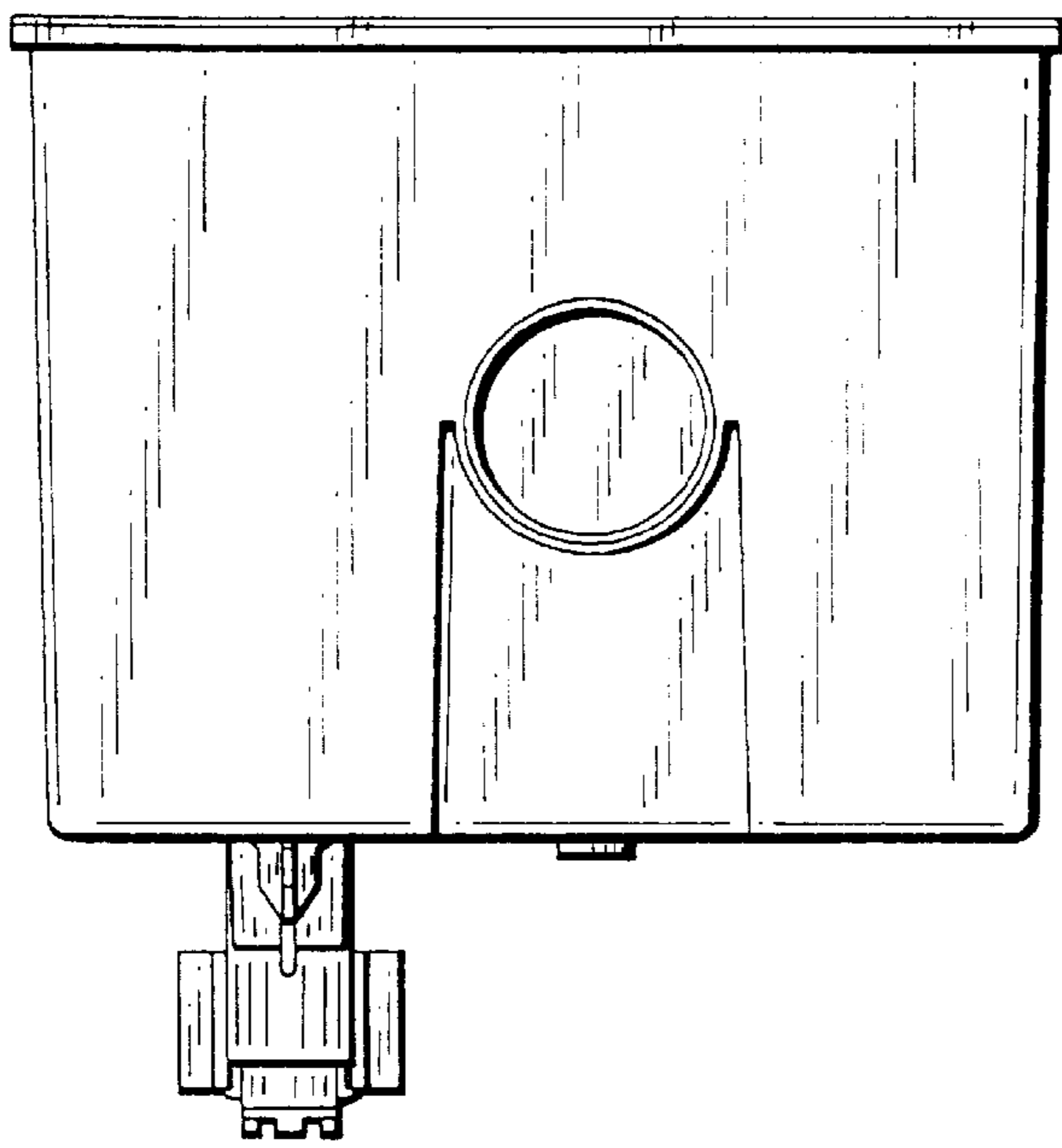


Fig. 4

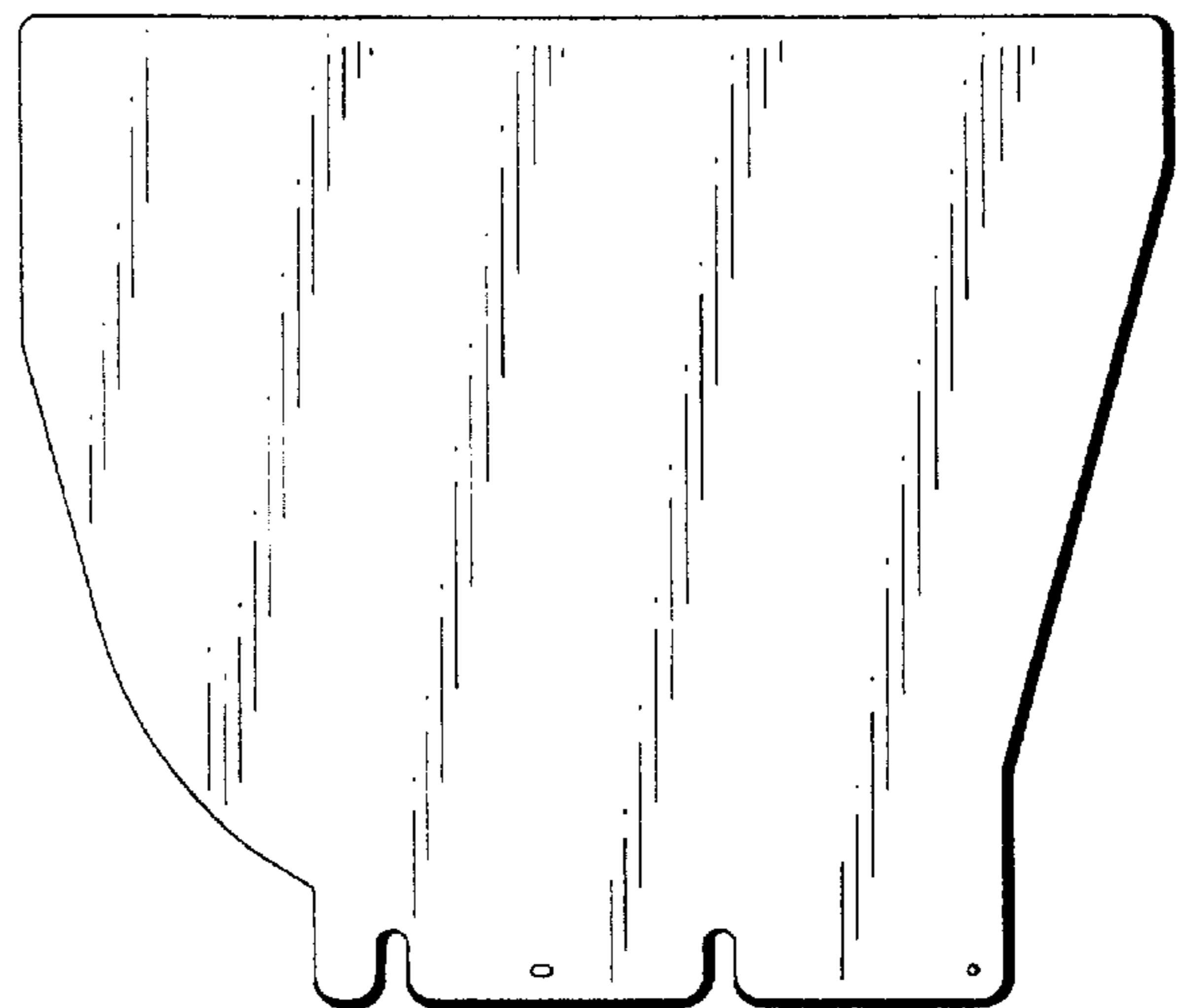


Fig. 5

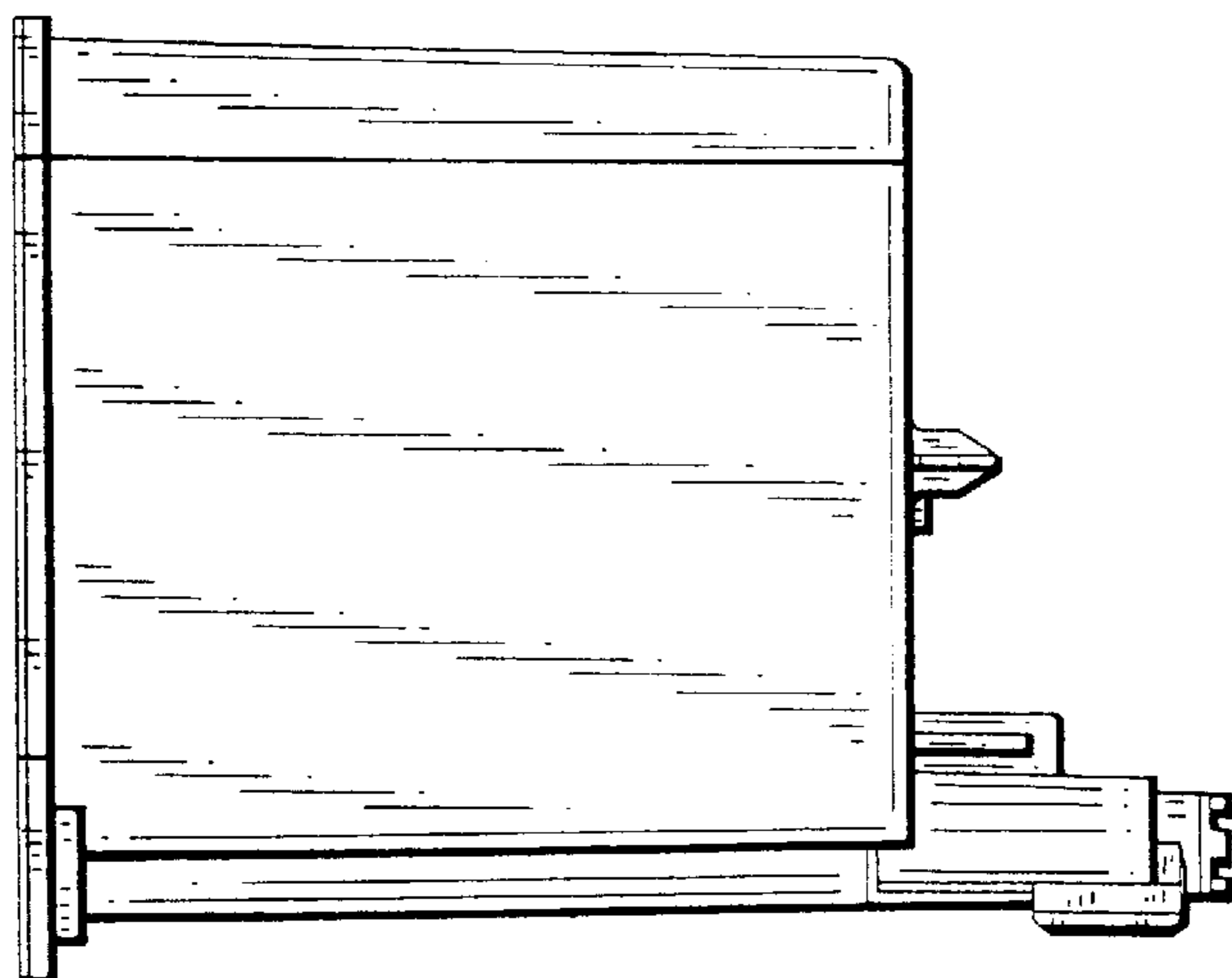


Fig. 6

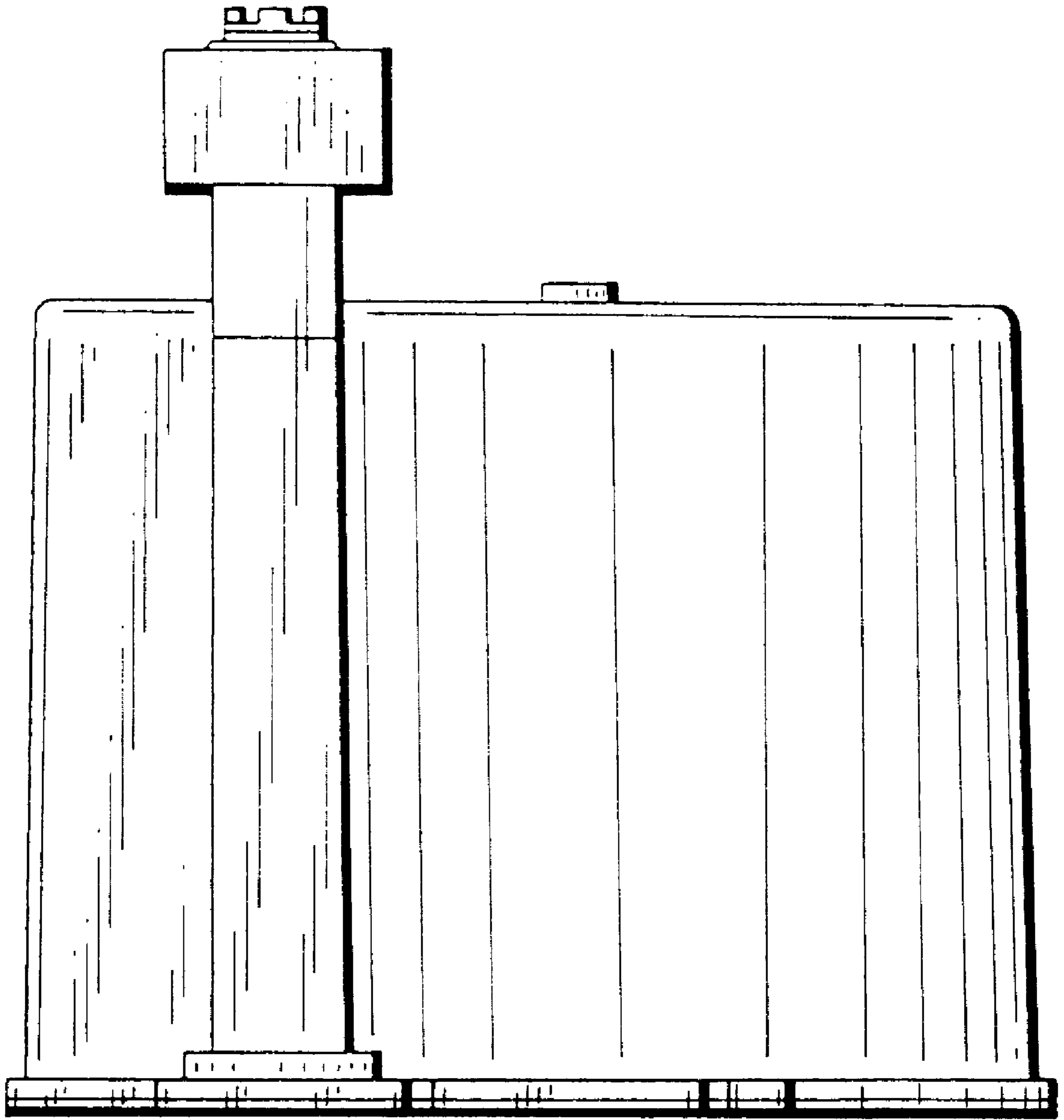


Fig. 7