



US00D410241S

United States Patent [19]
Koinuma

[11] **Patent Number: Des. 410,241**
[45] **Date of Patent: ** May 25, 1999**

[54] **BINOCULARS**

[75] Inventor: **Masahiro Koinuma**, Saitama, Japan

[73] Assignee: **Asahi Kogaku Kogyo Kabushiki Kaisha**, Tokyo, Japan

[**] Term: **14 Years**

[21] Appl. No.: **29/089,088**

[22] Filed: **Jun. 8, 1998**

[30] **Foreign Application Priority Data**

Dec. 17, 1997 [JP] Japan 9-78723

[51] **LOC (6) Cl.** **16-06**

[52] **U.S. Cl.** **D16/133**

[58] **Field of Search** D16/130, 133;
359/407, 408, 409, 410, 411, 412, 416,
417, 420

[56] **References Cited**

U.S. PATENT DOCUMENTS

D. 299,724 2/1989 Aoki D16/133
D. 330,038 10/1992 Ratzlaff D16/133

D. 336,654 6/1993 Kung D16/133
D. 377,184 1/1997 Wells et al. D16/133
D. 387,785 12/1997 Matsushita D16/133
4,013,341 3/1977 Riley 359/408
5,231,535 7/1993 Peters et al. 359/416 X

Primary Examiner—Paula A. Mortimer
Attorney, Agent, or Firm—Sughrue, Mion, Zinn, Macpeak & Seas, PLLC

[57] **CLAIM**

The ornamental design for binoculars, as shown and described.

DESCRIPTION

FIG. 1 is a perspective view of the top, front and right side of binoculars showing my new design;
FIG. 2 is a top plan view thereof;
FIG. 3 is a front elevational view thereof;
FIG. 4 is a right side elevational view thereof;
FIG. 5 is a left side elevational view thereof;
FIG. 6 is a rear elevational view thereof;
FIG. 7 is a bottom plan view thereof; and,
FIG. 8 is a perspective view showing the binoculars in an extended position.

1 Claim, 5 Drawing Sheets

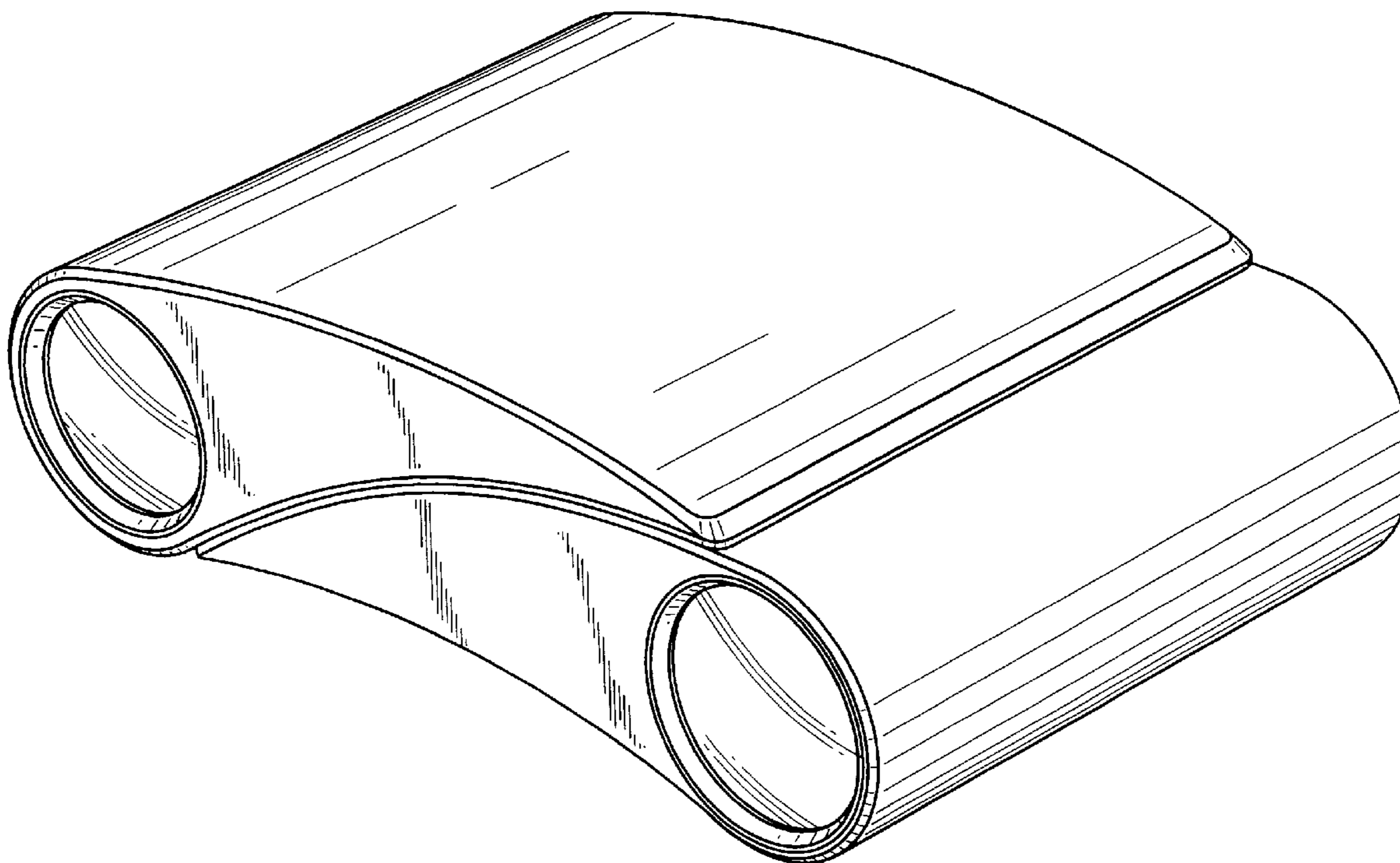


FIG. 1

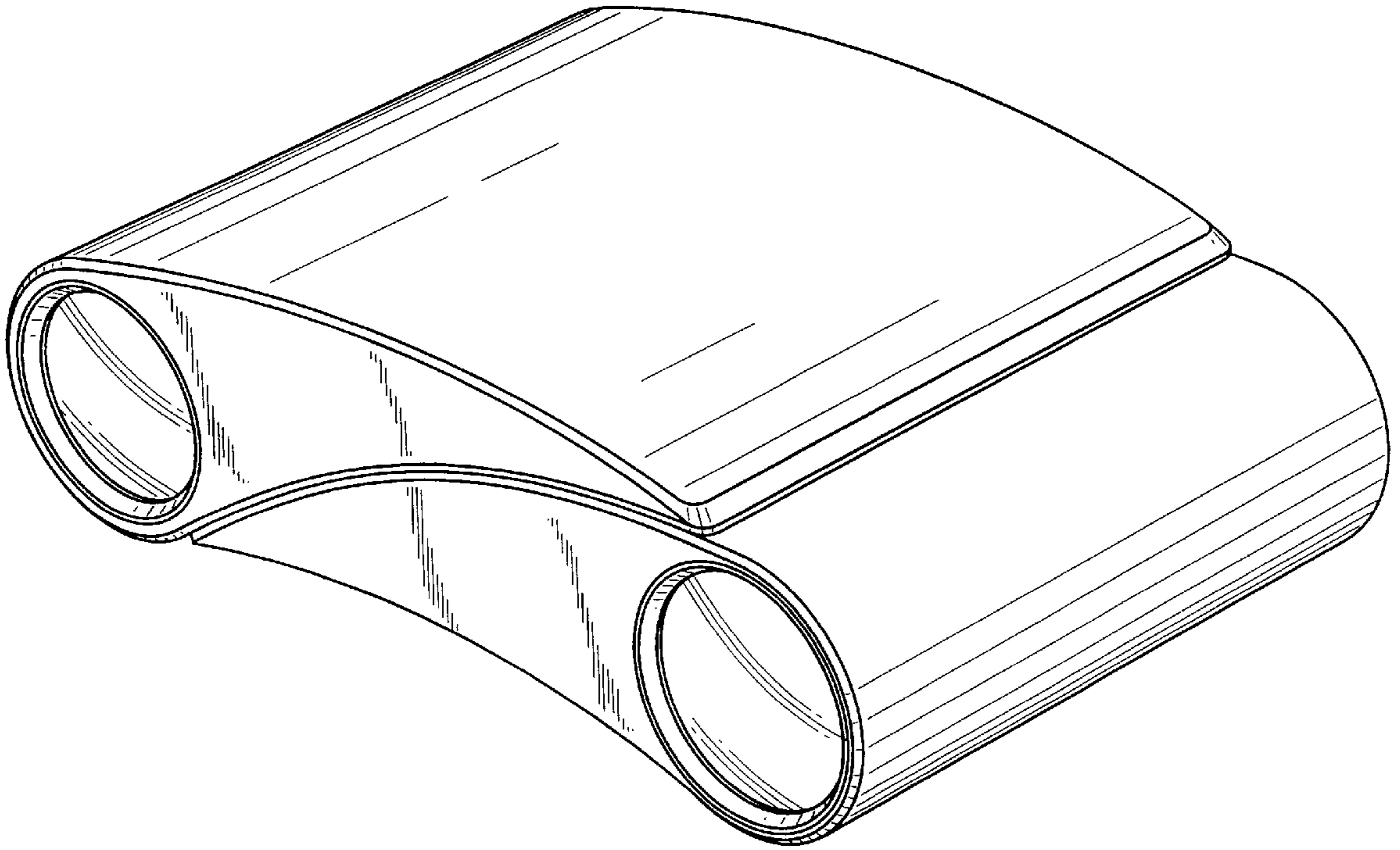


FIG. 2

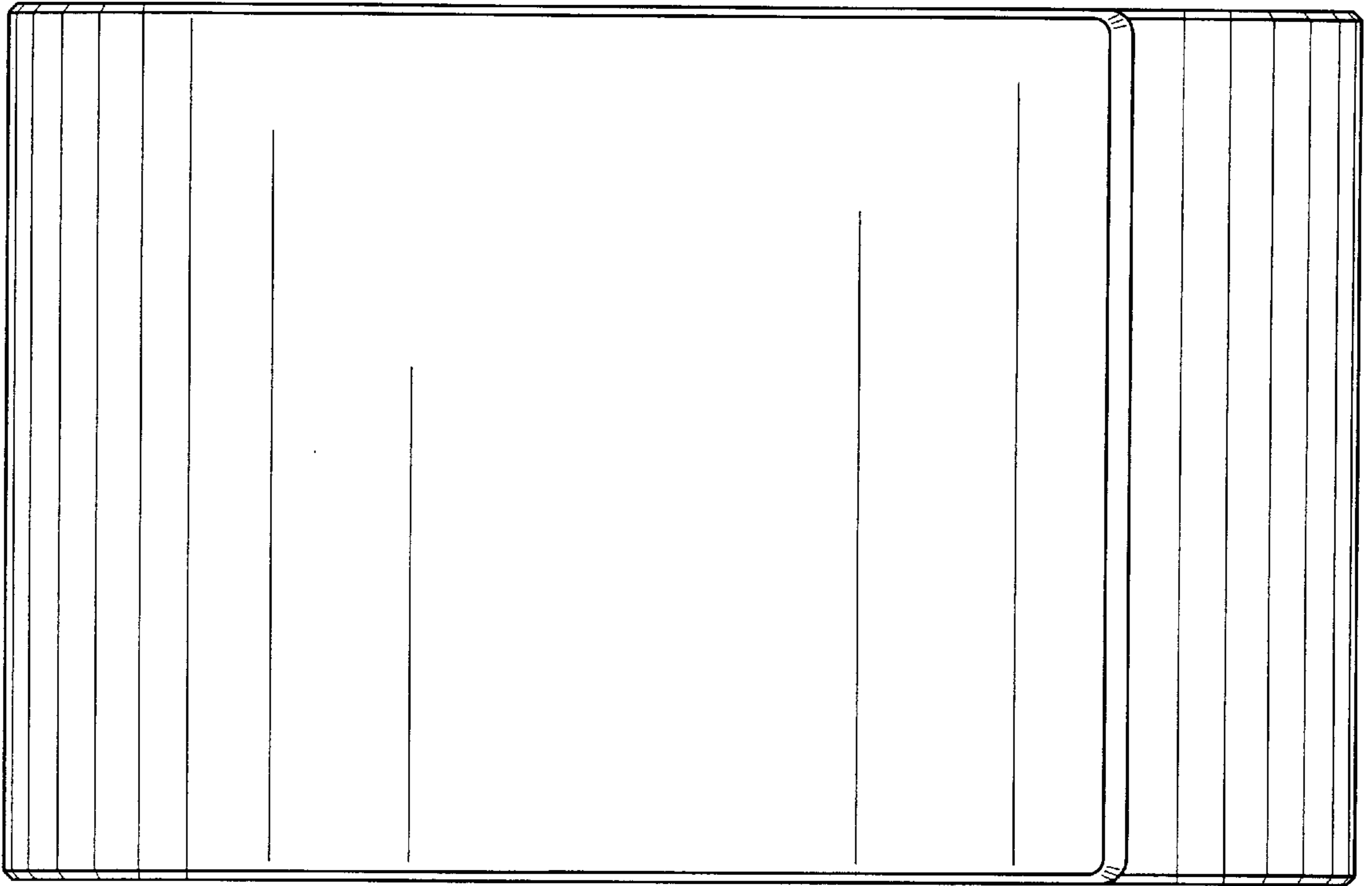


FIG. 3

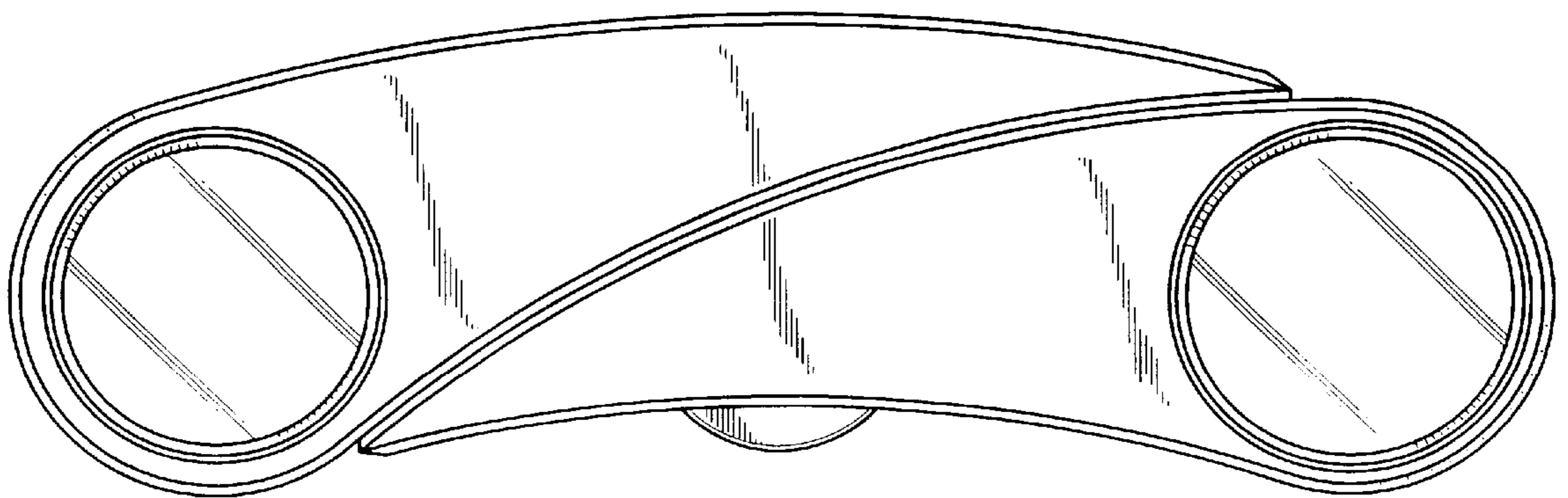


FIG. 4

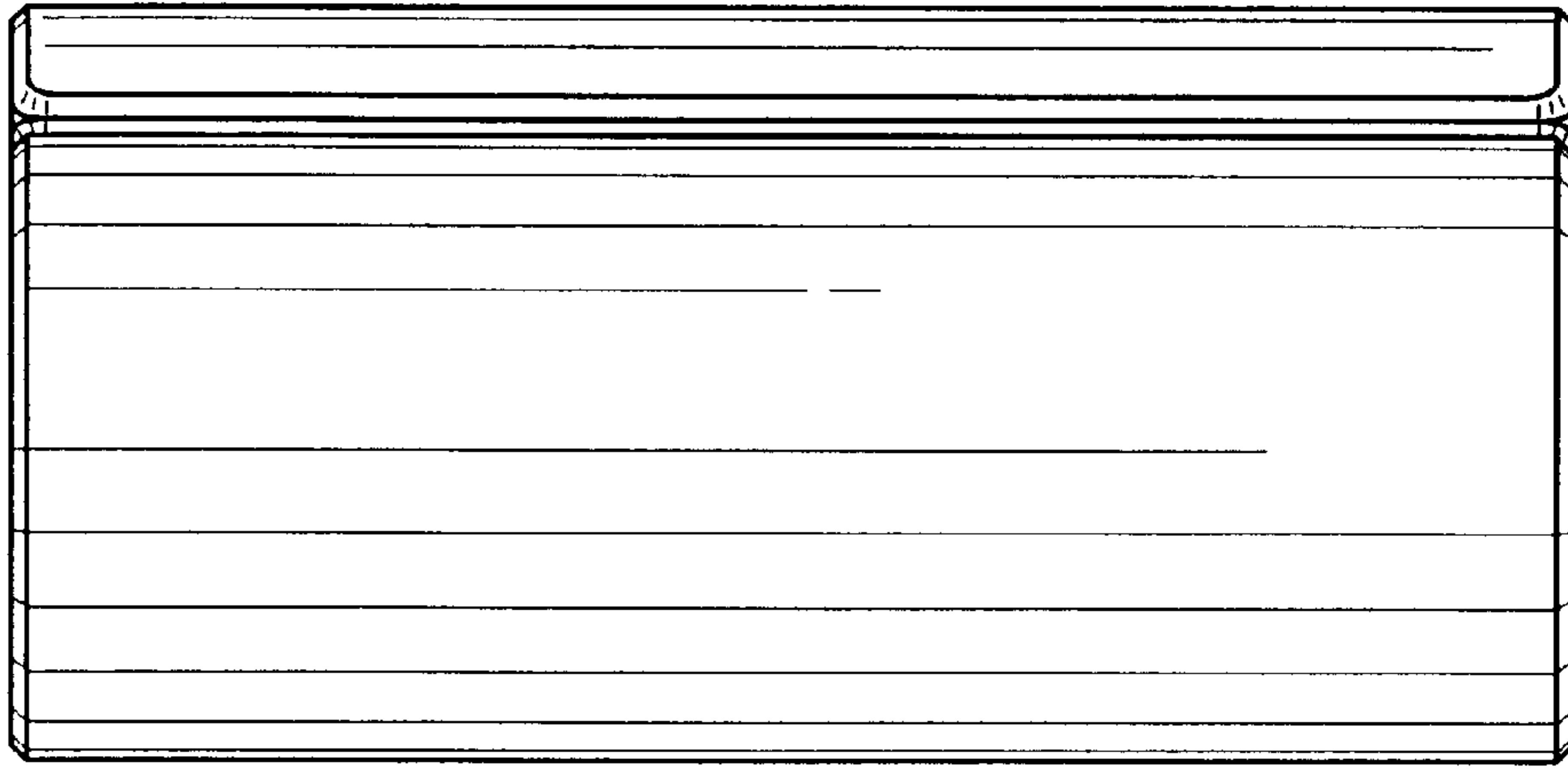


FIG. 5

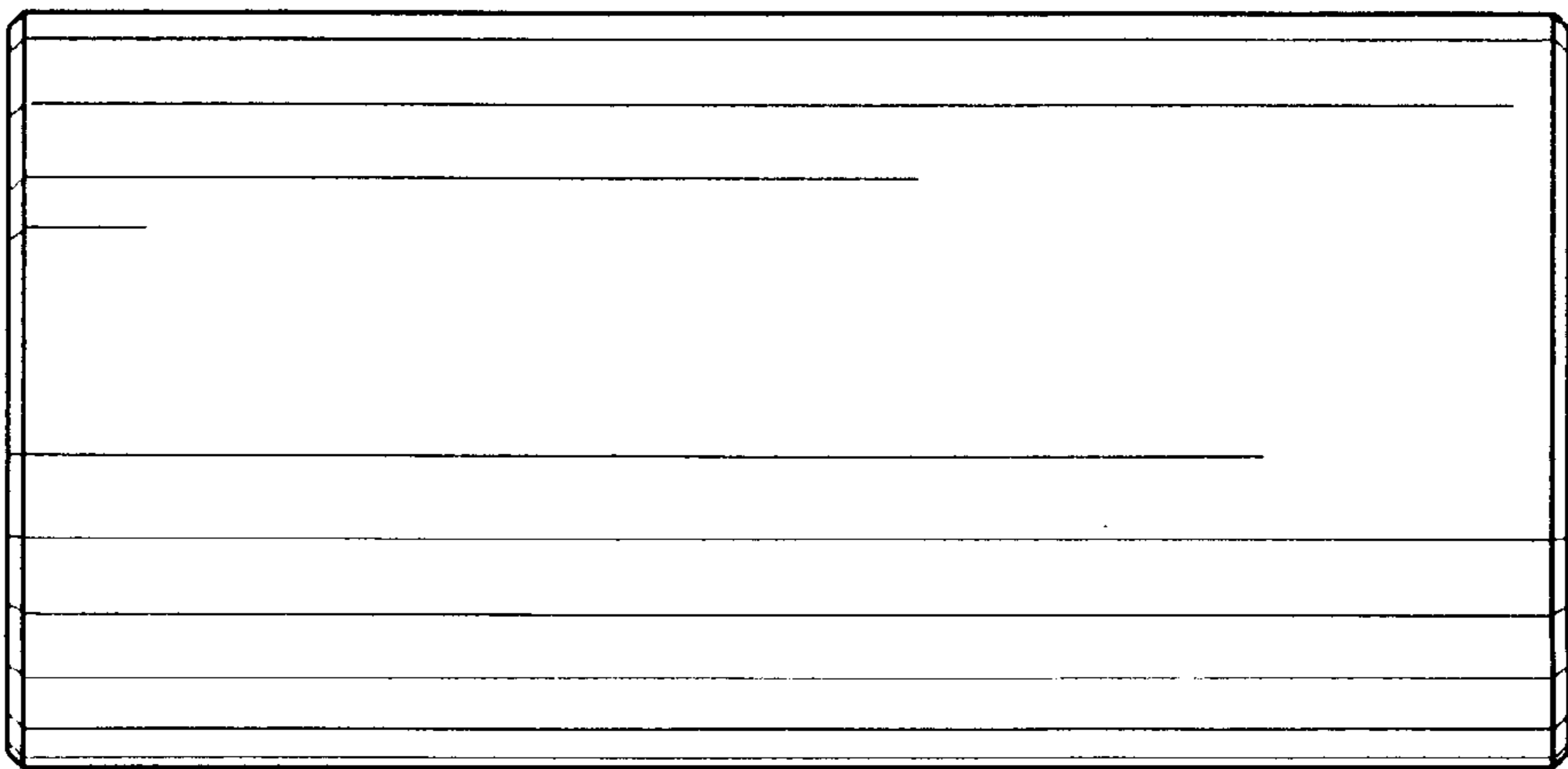


FIG. 6

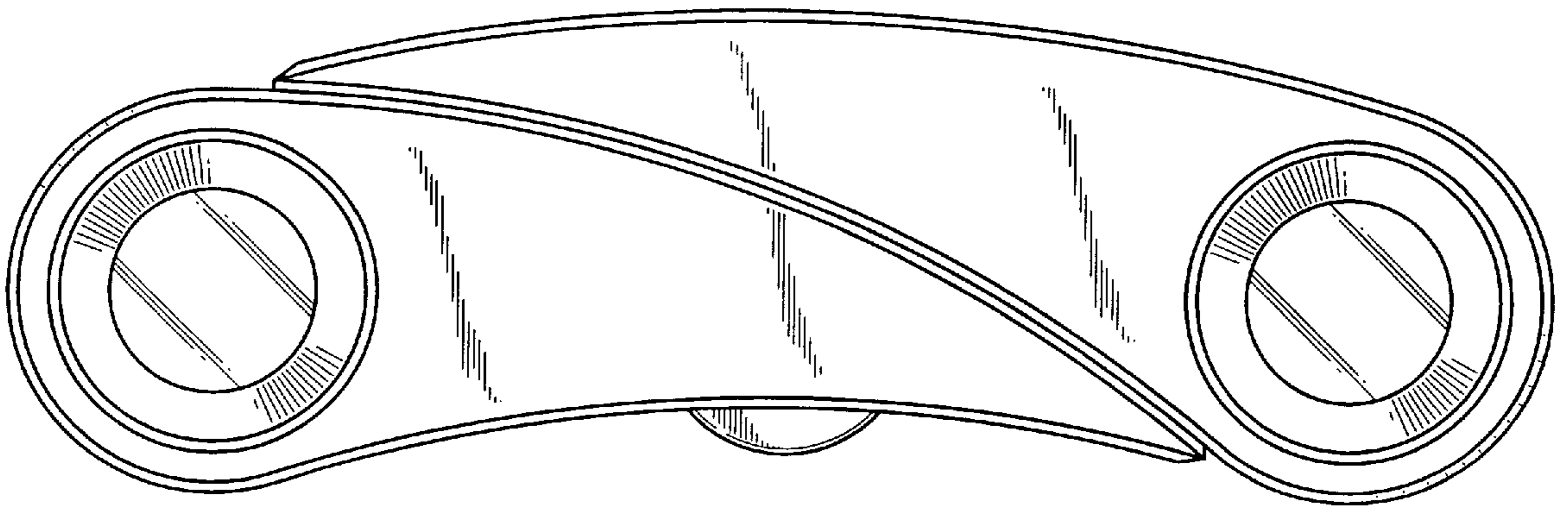


FIG. 7

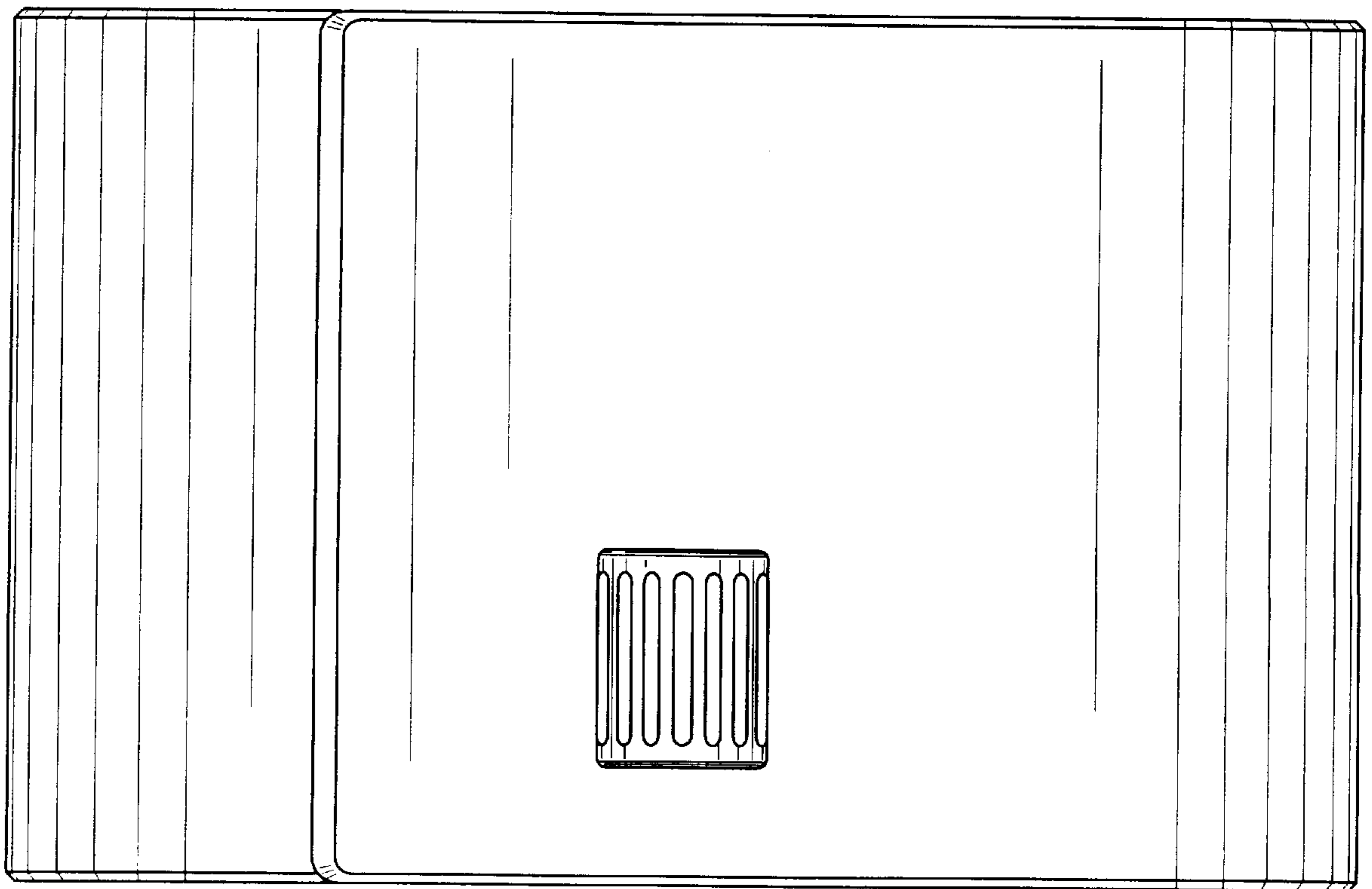


FIG. 8

