



US00D410239S

# United States Patent [19] Coffield

[11] **Patent Number: Des. 410,239**

[45] **Date of Patent: \*\* May 25, 1999**

[54] **TELESCOPIC SATELLITE DISH MOUNT**

[75] Inventor: **Franklin R. Coffield**, Athens, Ala.

[73] Assignee: **Satellite Mobile Systems, Inc.**, Athens, Ala.

[\*\*] Term: **14 Years**

[21] Appl. No.: **29/075,183**

[22] Filed: **Aug. 20, 1997**

[51] **LOC (6) Cl.** ..... **14-03**

[52] **U.S. Cl.** ..... **D14/238**

[58] **Field of Search** ..... D14/147-148,  
D14/230-238, 299; 343/700 R, 701-702,  
761, 840-841, 850, 857-858, 860, 872-875,  
878, 889, 906-908, 888-890, 892, 896,  
898-901, 912, 914; 248/295.11; D8/373,  
376, 382, 71, 356, 396

[56] **References Cited**

**U.S. PATENT DOCUMENTS**

D. 98,652	2/1936	Lehmann	.....	D14/236
D. 366,487	1/1996	Jones	.....	D14/238
D. 379,297	5/1997	Shires	.....	D8/376
3,177,491	4/1965	Rateau	.....	343/786
3,362,668	1/1968	Reinhart	.....	D14/238
3,943,524	3/1976	Sample	.....	343/888
5,198,829	3/1993	Marshall	.....	343/878
5,277,391	1/1994	Haug et al.	.....	248/219.3

**OTHER PUBLICATIONS**

Datron, DBS-4000 advertising brochure, date unknown.  
Datron, DBS-3000 and DBS-4000 advertising brochure, date unknown.  
Datron, DBS-3000 advertising brochure, date unknown.  
Winegard, advertising brochure, 1996.

*Primary Examiner*—Ruth McInroy

*Attorney, Agent, or Firm*—Pillsbury Madison & Sutro LLP

[57] **CLAIM**

The ornamental design for a telescopic satellite dish mount, as shown and described.

**DESCRIPTION**

FIG. 1 is a perspective view of a telescopic satellite dish mount showing my new design;  
FIG. 2 is an enlarged perspective view thereof;  
FIG. 3 is an enlarged side view thereof;  
FIG. 4 is an enlarged side view thereof taken from the side opposite of FIG. 3;  
FIG. 5 is an enlarged front elevational view thereof;  
FIG. 6 is an enlarged back elevational view thereof;  
FIG. 7 is an enlarged bottom view thereof; and,  
FIG. 8 is an enlarged top view thereof.

The details shown in broken lines in FIG. 1 are for illustrative purposes only and form no part of the claimed invention.

**1 Claim, 4 Drawing Sheets**

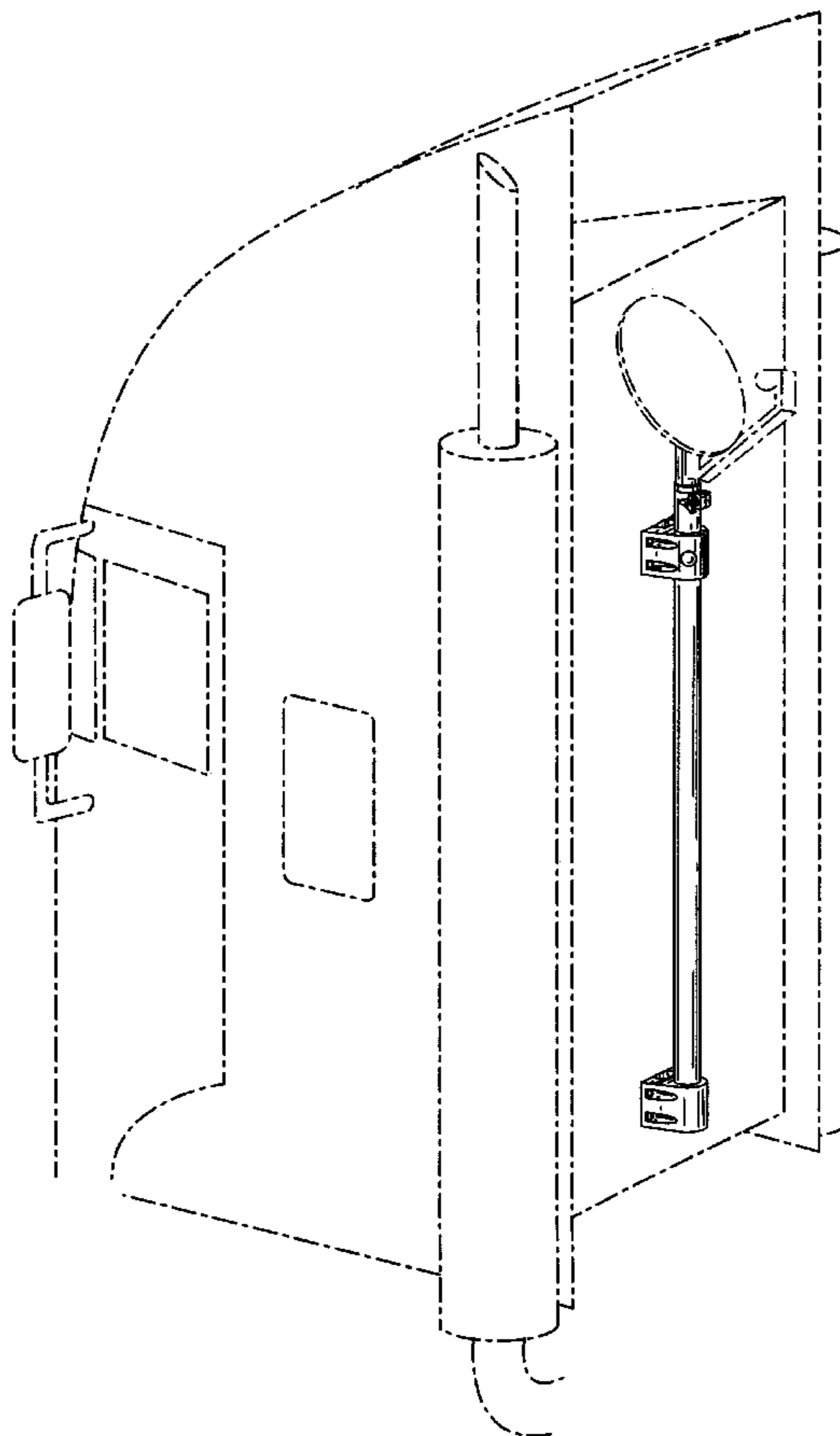
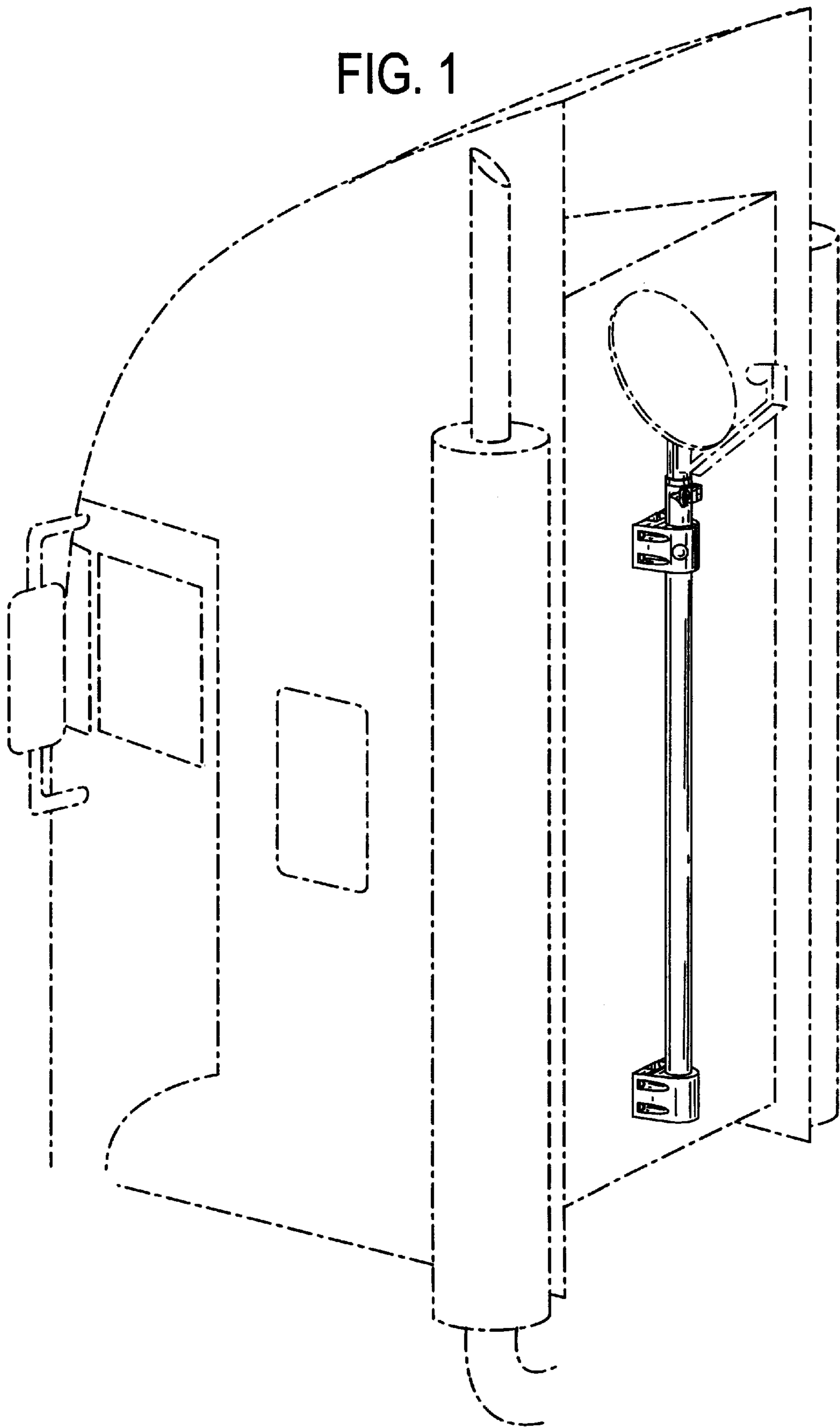


FIG. 1



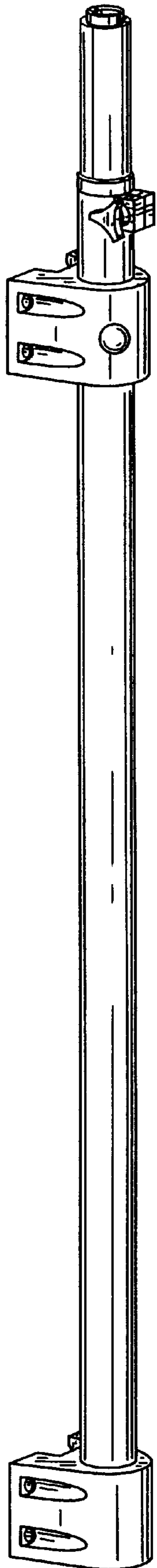


FIG. 2

FIG. 3

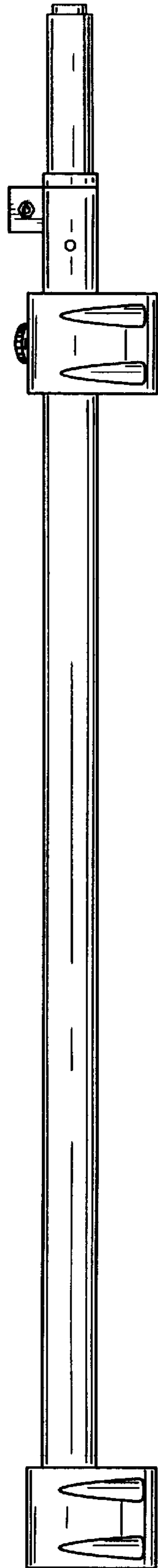


FIG. 4

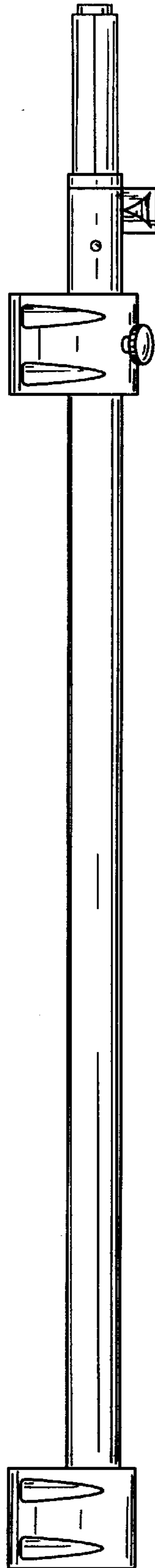


FIG. 5

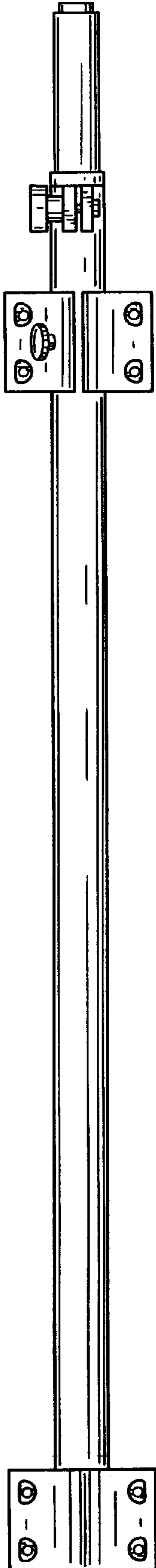


FIG. 6

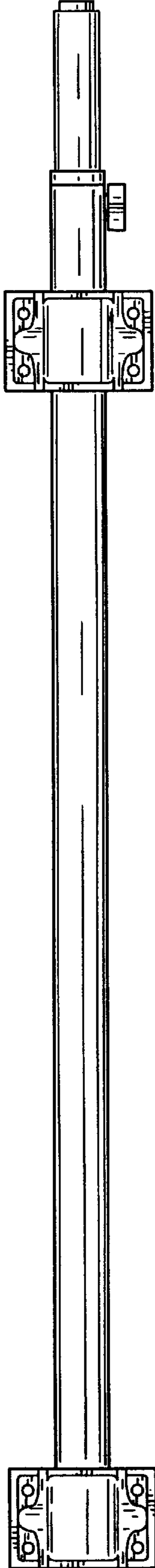


FIG. 7

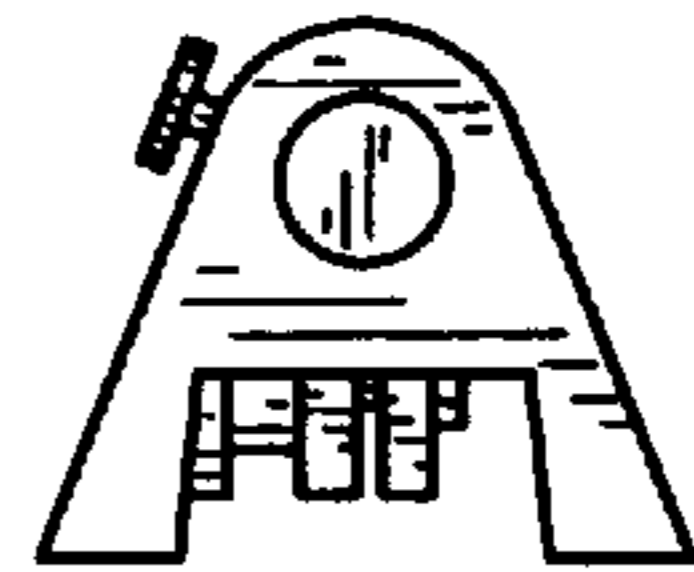


FIG. 8

