



US00D410233S

# United States Patent [19] Renk

[11] **Patent Number: Des. 410,233**

[45] **Date of Patent: \*\* May 25, 1999**

[54] **KEYBOARD**

[75] Inventor: **Thomas Edward Renk**, Indianapolis, Ind.

[73] Assignee: **Thomson Consumer Electronics, Inc.**, Indianapolis, Ind.

[\*\*] Term: **14 Years**

[21] Appl. No.: **29/085,747**

[22] Filed: **Mar. 30, 1998**

[51] **LOC (6) Cl.** ..... **14-02**

[52] **U.S. Cl.** ..... **D14/115**

[58] **Field of Search** ..... D14/100, 106, D14/115; D18/1, 2, 7; 178/17 A, 17 C; 200/5 A, 5 R, 6 A, 6 R; 235/145 A, 145 R; 345/168, 167, 161, 160; 341/22, 23; 364/708.1; 400/472, 479, 484-486, 488, 489

[56] **References Cited**

**U.S. PATENT DOCUMENTS**

D. 354,279	1/1995	Ciccone	.....	D14/115
D. 357,911	5/1995	Grant et al.	.....	D14/115
D. 362,434	9/1995	Abell, Jr. et al.	.....	D14/115
D. 380,465	7/1997	Chang et al.	.....	D14/115

*Primary Examiner*—Freda Nunn

*Attorney, Agent, or Firm*—Woodard, Emhardt, Naughton, Moriarty & McNett

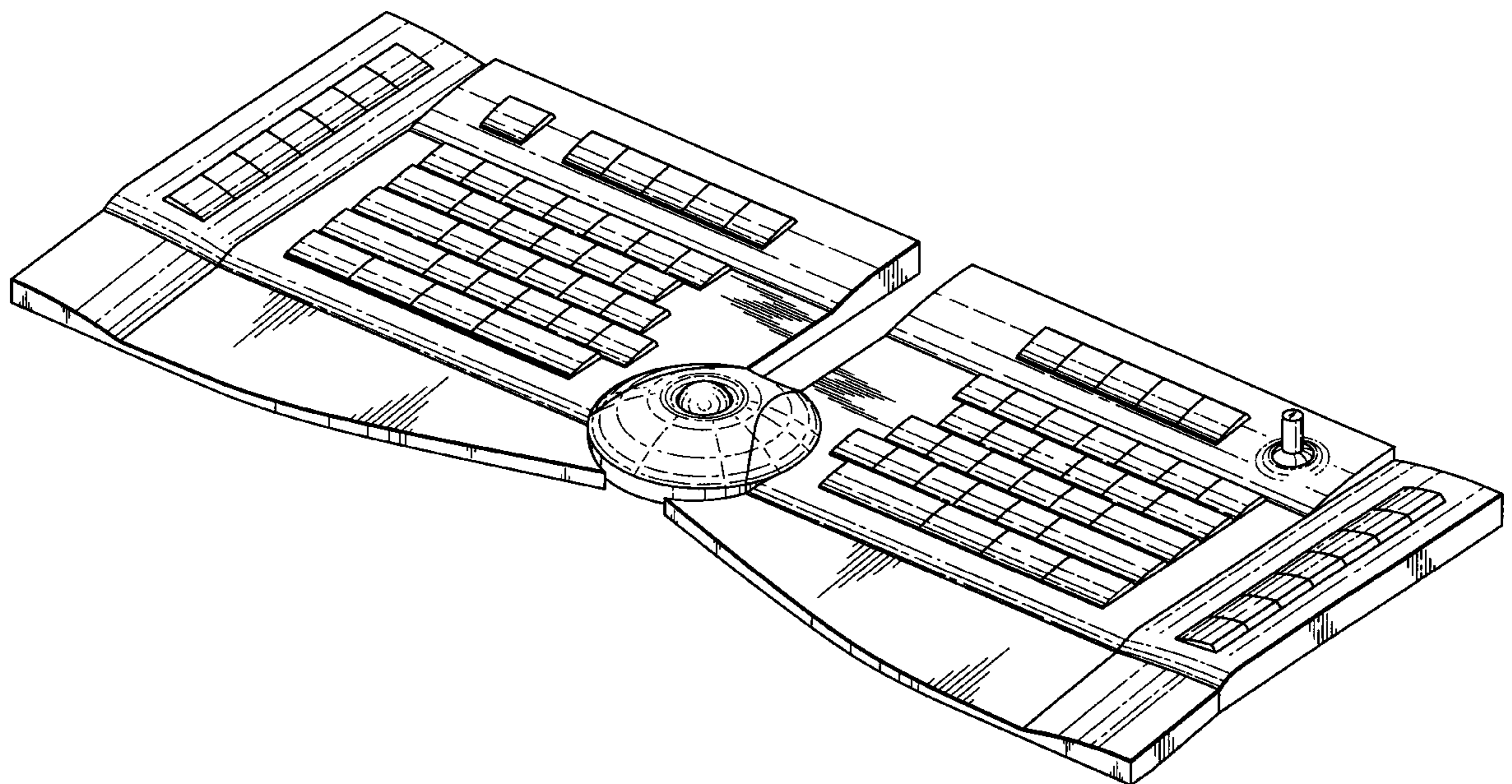
[57] **CLAIM**

The ornamental design for a keyboard, as shown and described.

**DESCRIPTION**

FIG. 1 is a front elevational view of a first embodiment of a keyboard showing my new design;  
 FIG. 2 is a rear elevational view thereof;  
 FIG. 3 is a bottom plan view thereof;  
 FIG. 4 is a top plan view thereof;  
 FIG. 5 is a right side elevational view thereof, the left side elevational view being identical to the right side elevational view; and  
 FIG. 6 is a front, right, and bottom perspective view thereof;  
 FIG. 7 is a front elevational view of a second embodiment of a keyboard showing my new design;  
 FIG. 8 is a rear elevational view thereof;  
 FIG. 9 is a bottom plan view thereof;  
 FIG. 10 is a top plan view thereof;  
 FIG. 11 is a right side elevational view thereof, the left side elevational view being identical to the right side elevational view; and,  
 FIG. 12 is a front, right, and bottom perspective view thereof.

**1 Claim, 12 Drawing Sheets**



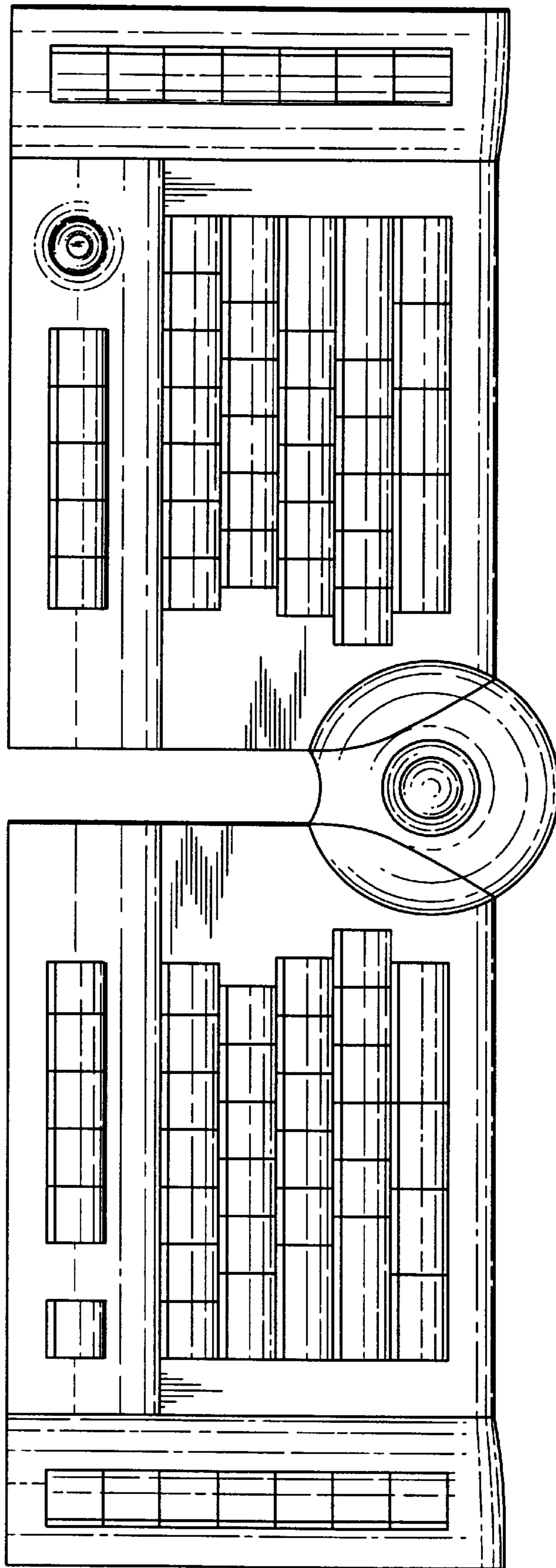


Fig. 1

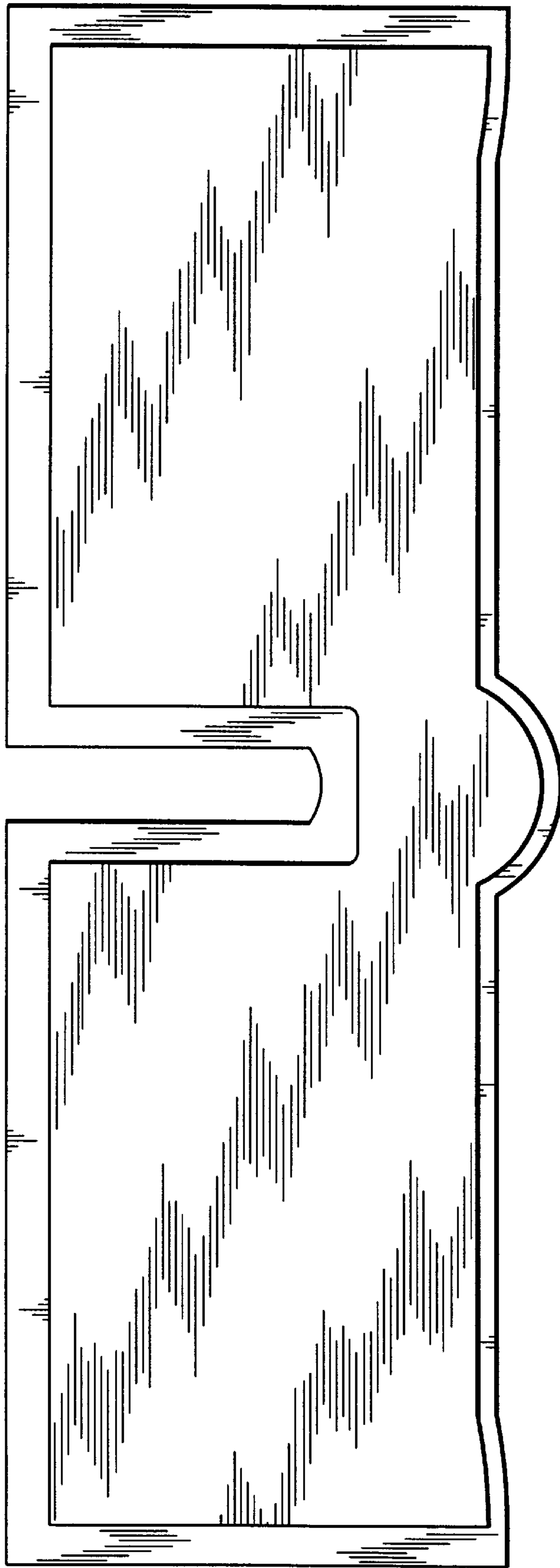


Fig. 2



Fig. 3

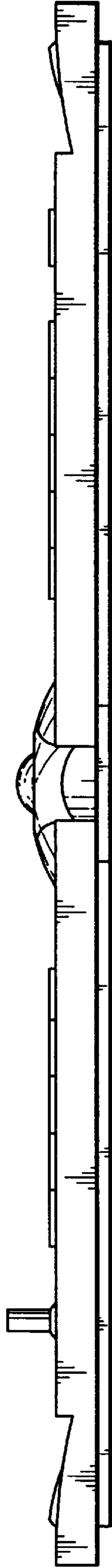


Fig. 4

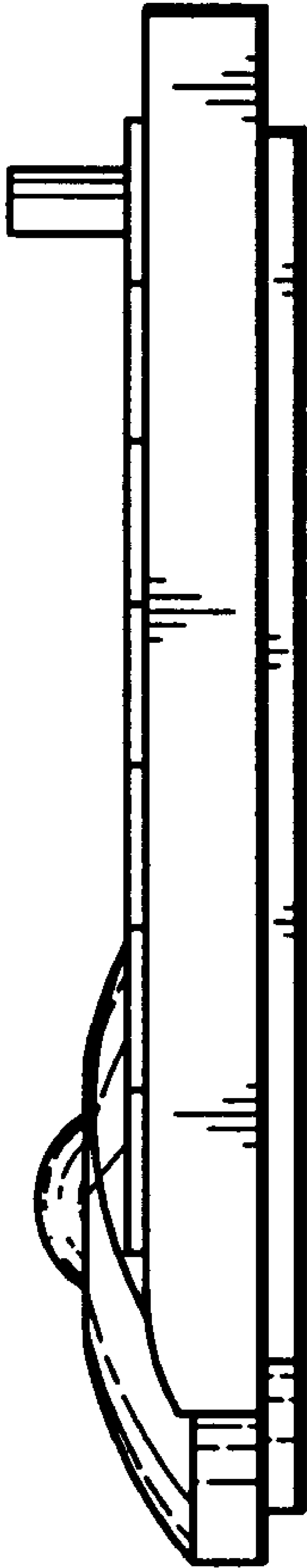


Fig. 5

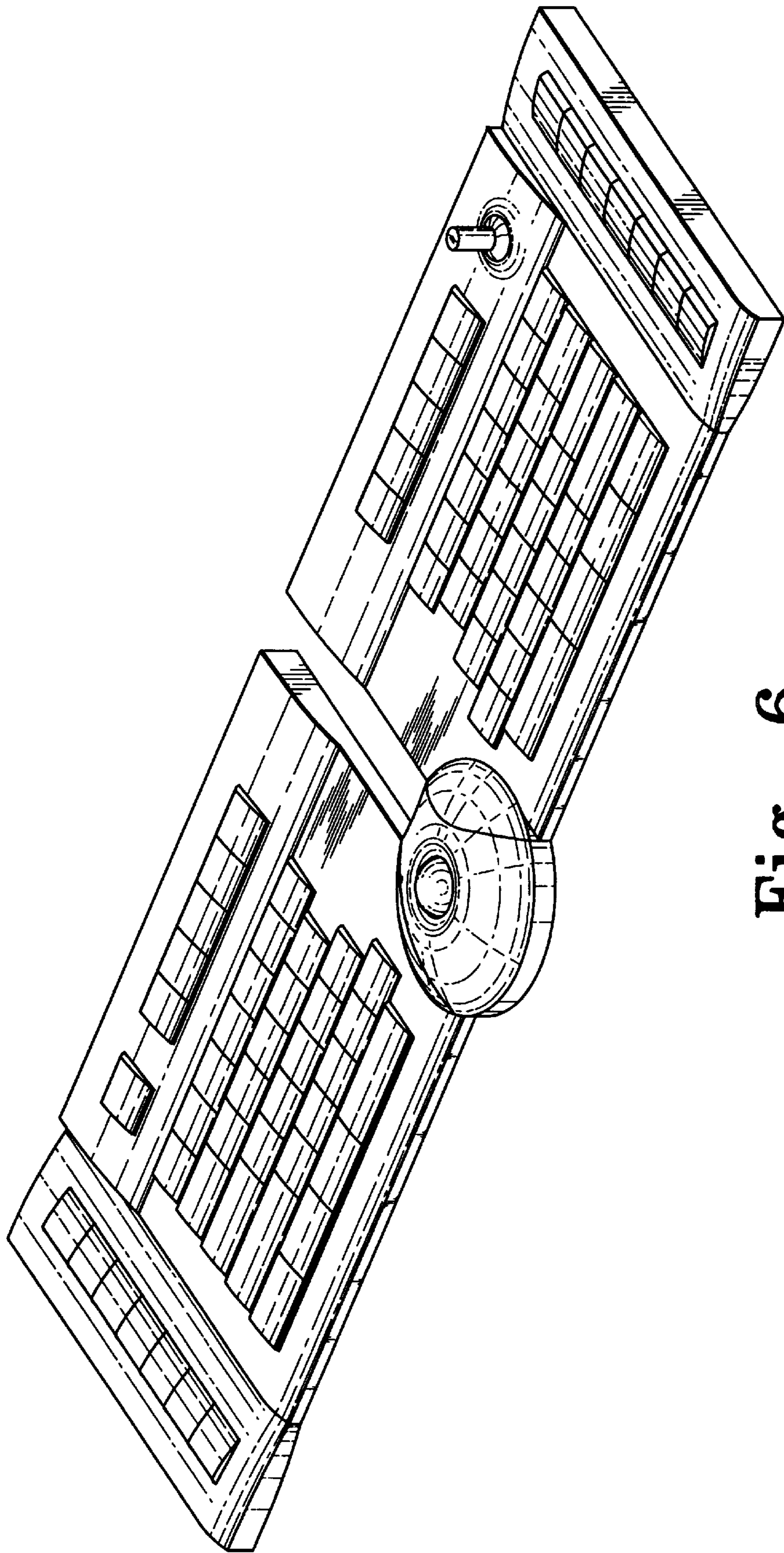


Fig. 6

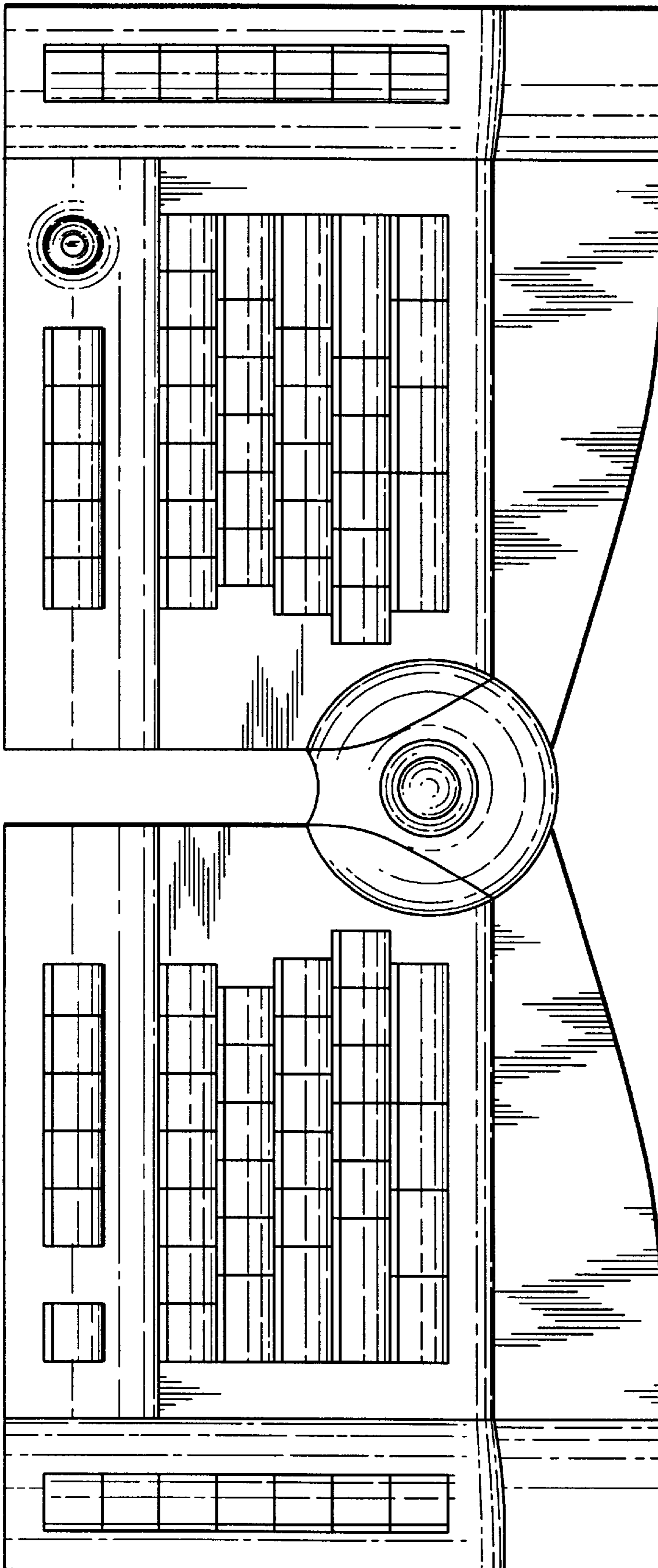


Fig. 7



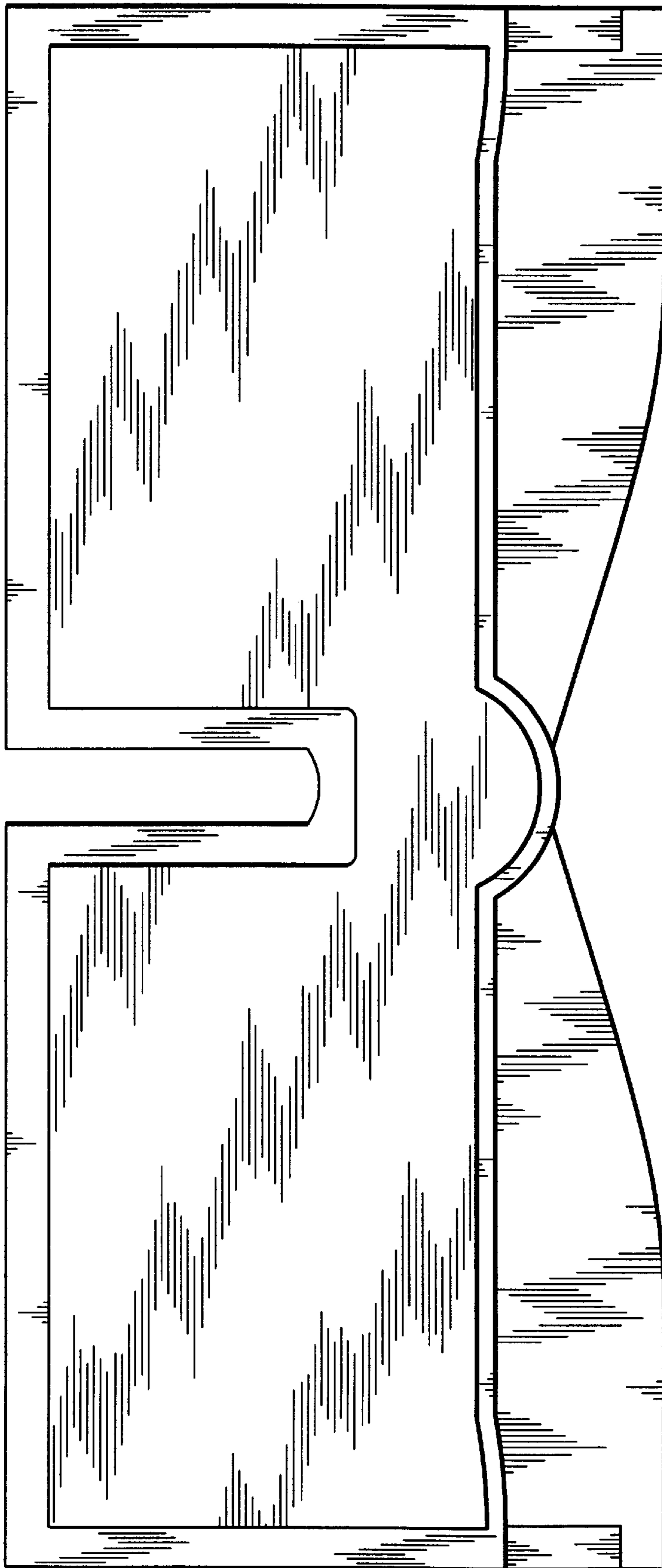


Fig. 8

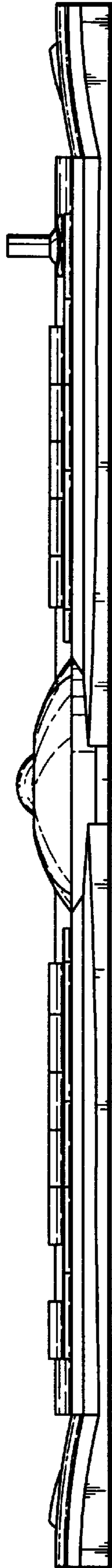


Fig. 9

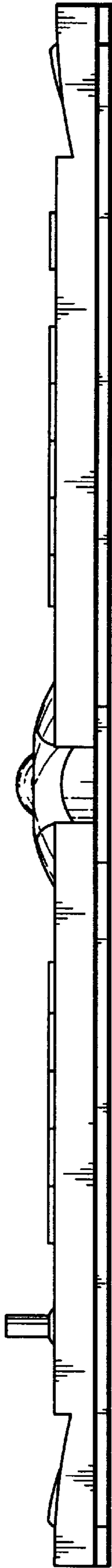


Fig. 10

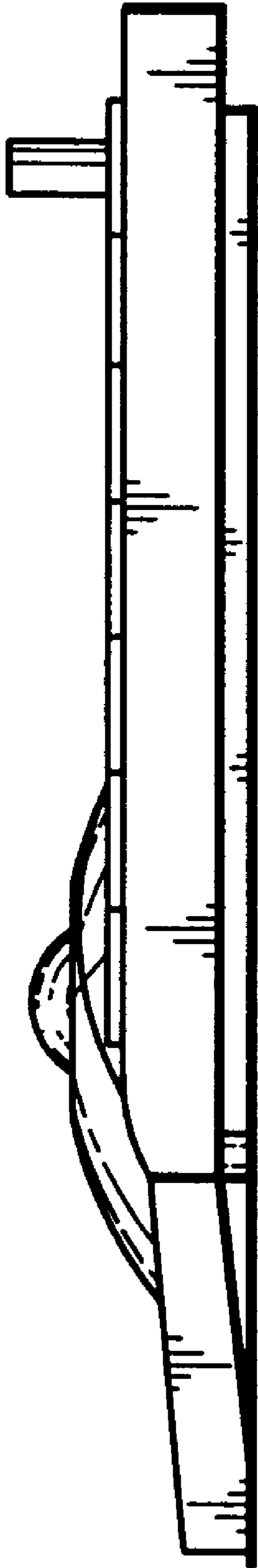


Fig. 11

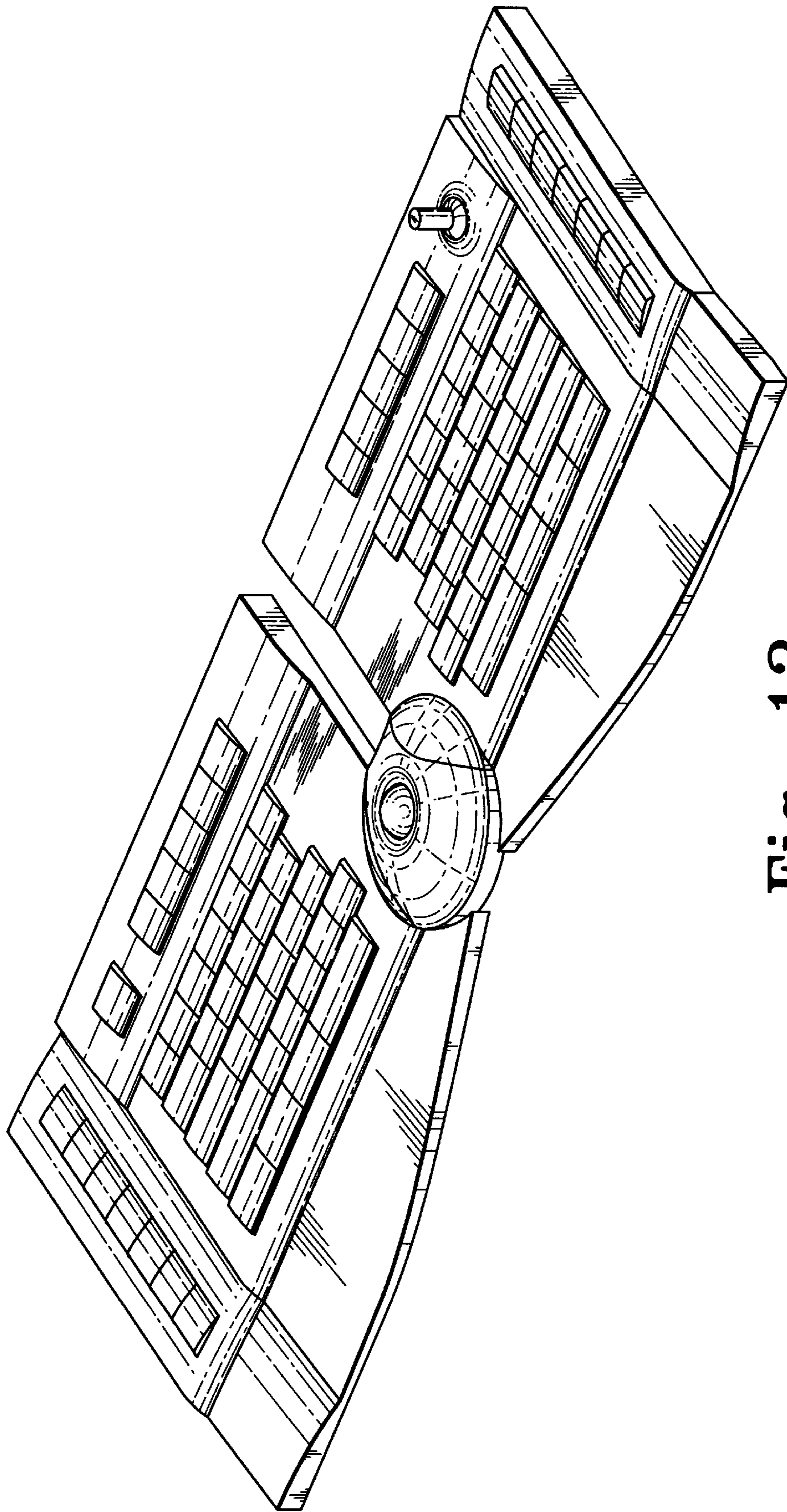


Fig. 12