



US00D410230S

**United States Patent** [19]  
**Witte**

[11] **Patent Number: Des. 410,230**  
[45] **Date of Patent: \*\* May 25, 1999**

[54] **PERSONAL COMPUTER SHELF**

[75] Inventor: **Kay-Uwe Witte**, Offenbach, Germany

[73] Assignee: **Rittal-Werk Rudolf Loh GmbH & Co. KG**, Herborn, Germany

[\*\*] Term: **14 Years**

[21] Appl. No.: **29/076,861**

[22] Filed: **Sep. 15, 1997**

[30] **Foreign Application Priority Data**

Mar. 18, 1997 [DE] Germany ..... M 97 02 663

[51] **LOC (6) Cl.** ..... **14-02**

[52] **U.S. Cl.** ..... **D14/102; D6/432**

[58] **Field of Search** ..... D14/100, 102,  
D14/107-109; D13/162, 184, 199; D6/432,  
436, 445, 448, 511, 512, 514; 312/208.1;  
360/99.12; 361/690-696, 730, 732

[56] **References Cited**

**U.S. PATENT DOCUMENTS**

- D. 297,930 10/1988 Bohm ..... D14/102 X
- D. 336,896 6/1993 Carter ..... D14/100
- D. 349,693 8/1994 Brossardt ..... D14/102

*Primary Examiner*—Freda Nunn

*Attorney, Agent, or Firm*—Pauley Petersen Kinne & Fejer

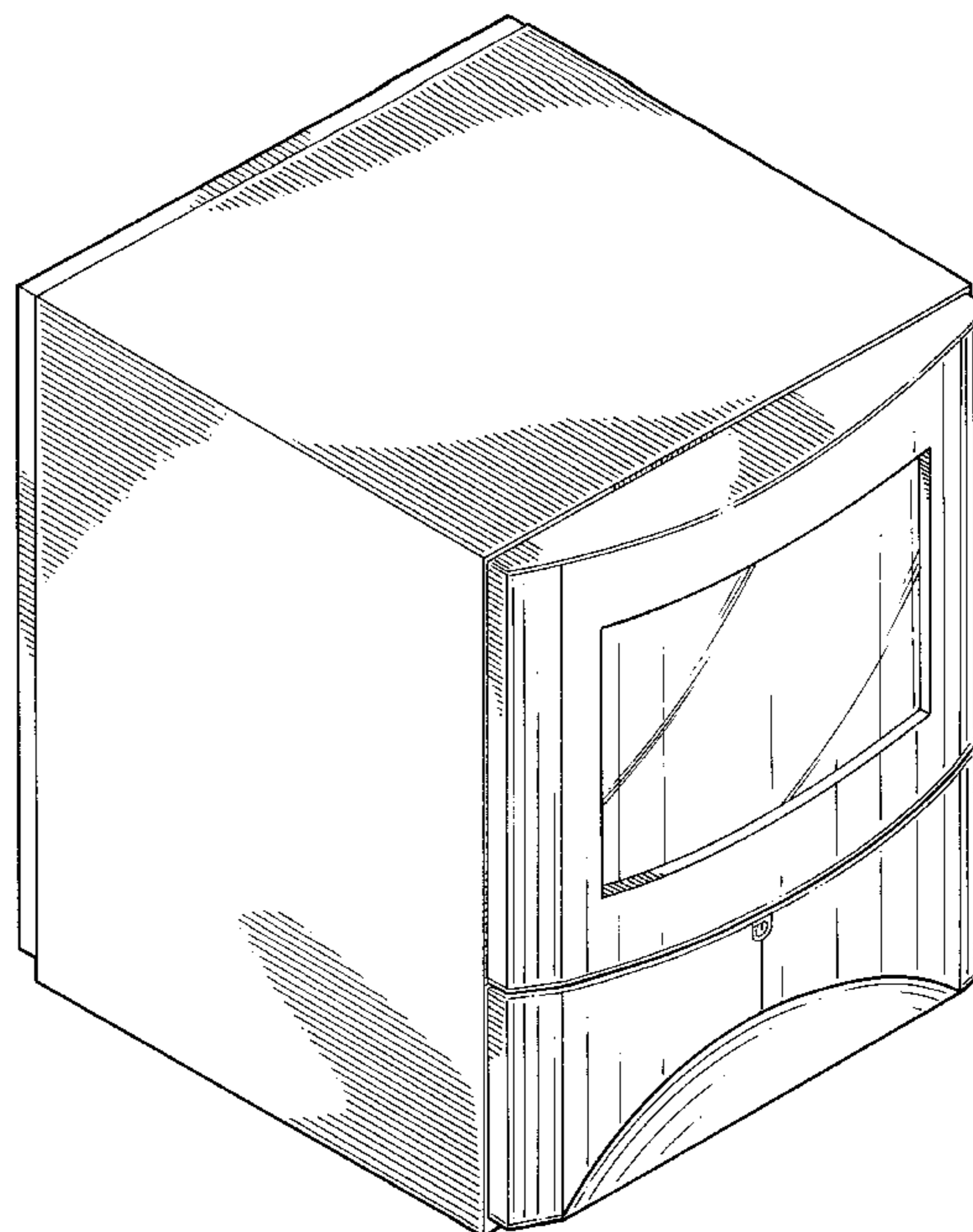
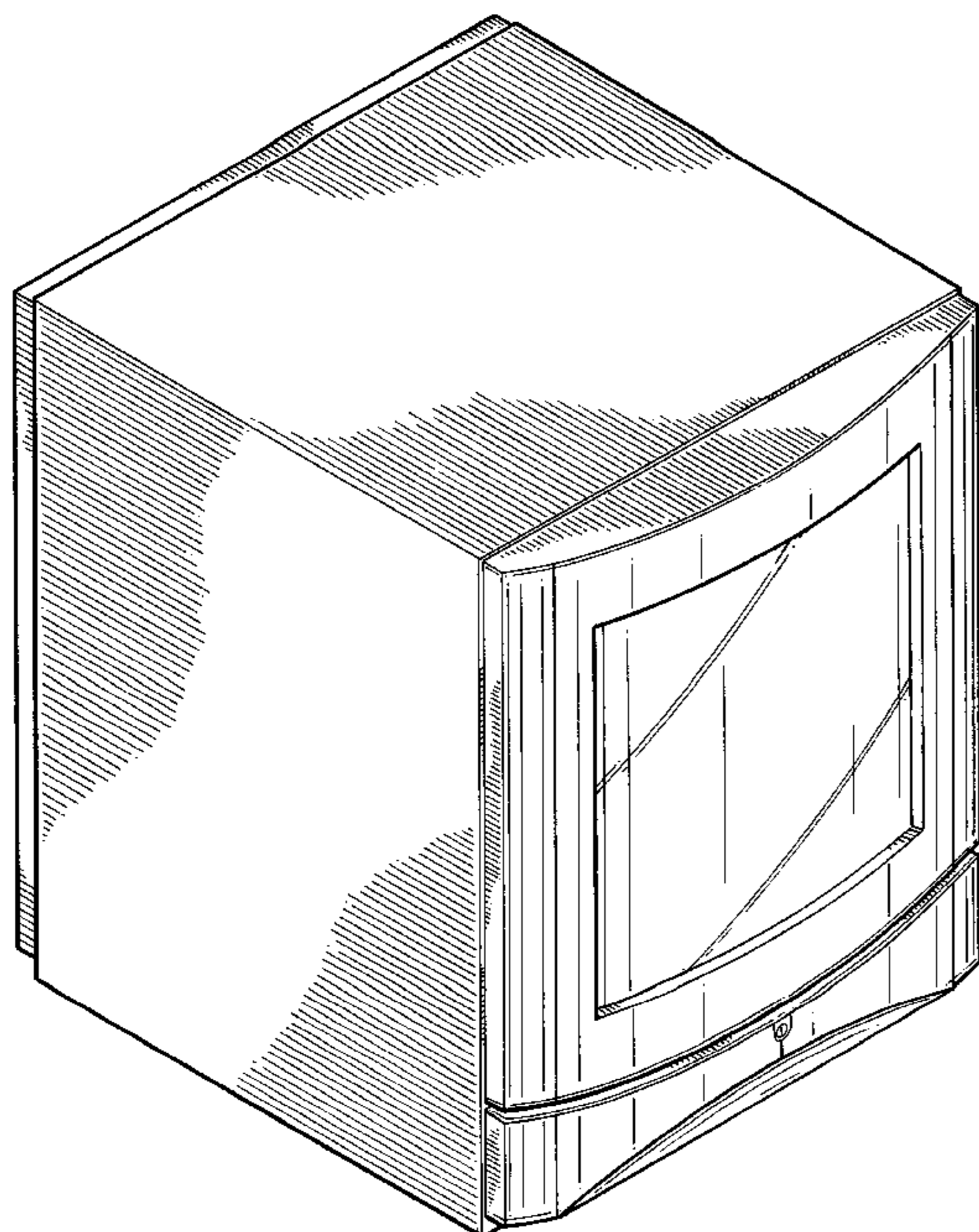
[57] **CLAIM**

The ornamental design for a personal computer shelf, as shown and described.

**DESCRIPTION**

FIG. 1 is a perspective view of a personal computer shelf, according to one preferred embodiment of this invention; FIG. 2 is a front view of the personal computer shelf, as shown in FIG. 1; FIG. 3 is a side view of the personal computer shelf, as shown in FIG. 1; FIG. 4 is a side view, opposite the side view shown in FIG. 3, of the personal computer shelf, as shown in FIG. 1; FIG. 5 is a top view of the personal computer shelf, as shown in FIG. 1; FIG. 6 is a bottom view of the personal computer shelf, as shown in FIG. 1; FIG. 7 is a rear view of the personal computer shelf, as shown in FIG. 1; FIG. 8 is a perspective view of a personal computer shelf, according to another embodiment of this invention; FIG. 9 is a front view of the personal computer shelf, as shown in FIG. 8; FIG. 10 is a side view of the personal computer shelf, as shown in FIG. 8; FIG. 11 is a side view, opposite the side view shown in FIG. 10, of the personal computer shelf, as shown in FIG. 8; FIG. 12 is a top view of the personal computer shelf, as shown in FIG. 8; FIG. 13 is a bottom view of the personal computer shelf, as shown in FIG. 8; and, FIG. 14 is a rear view of the personal computer shelf, as shown in FIG. 8.

**1 Claim, 8 Drawing Sheets**



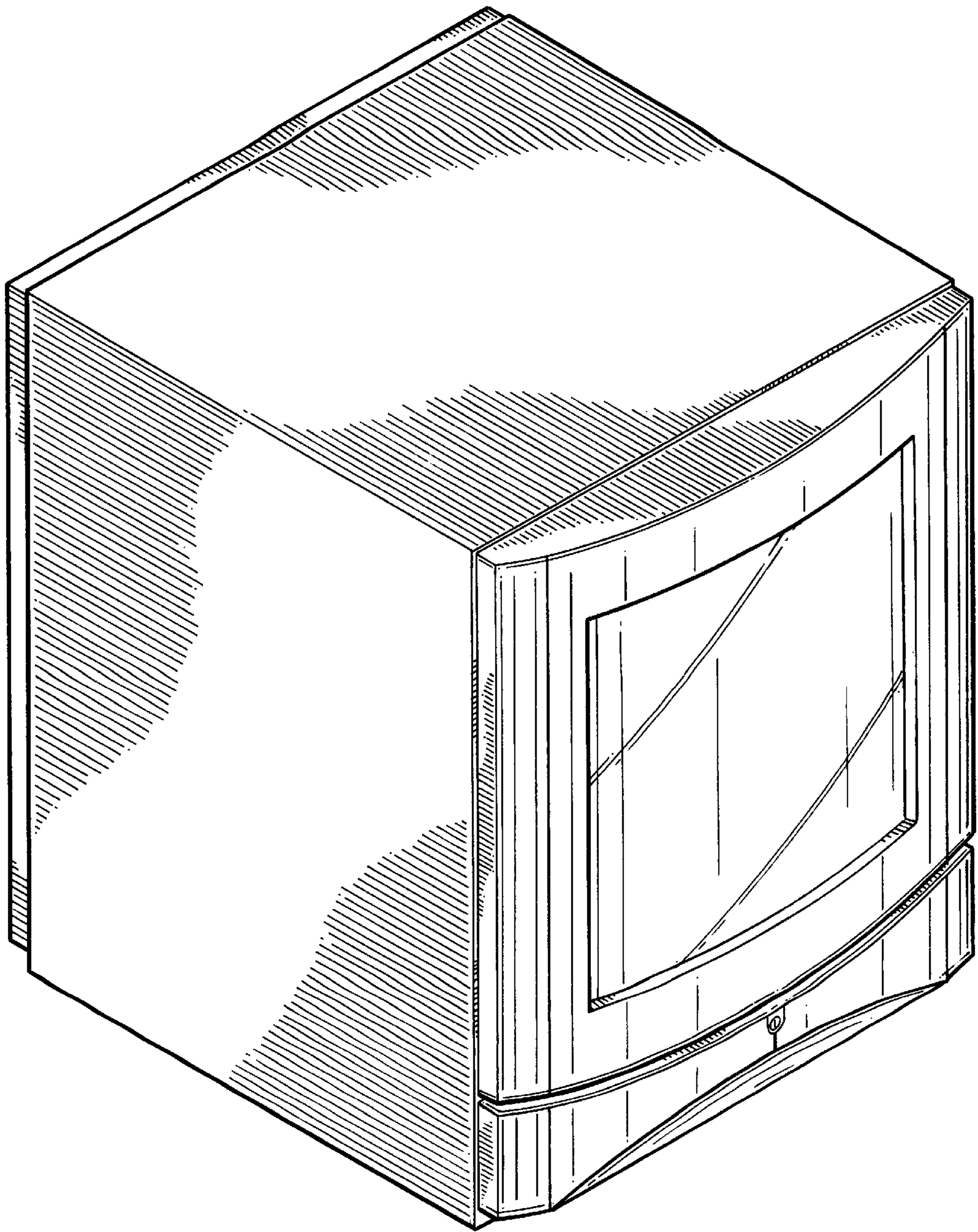


FIG. 1



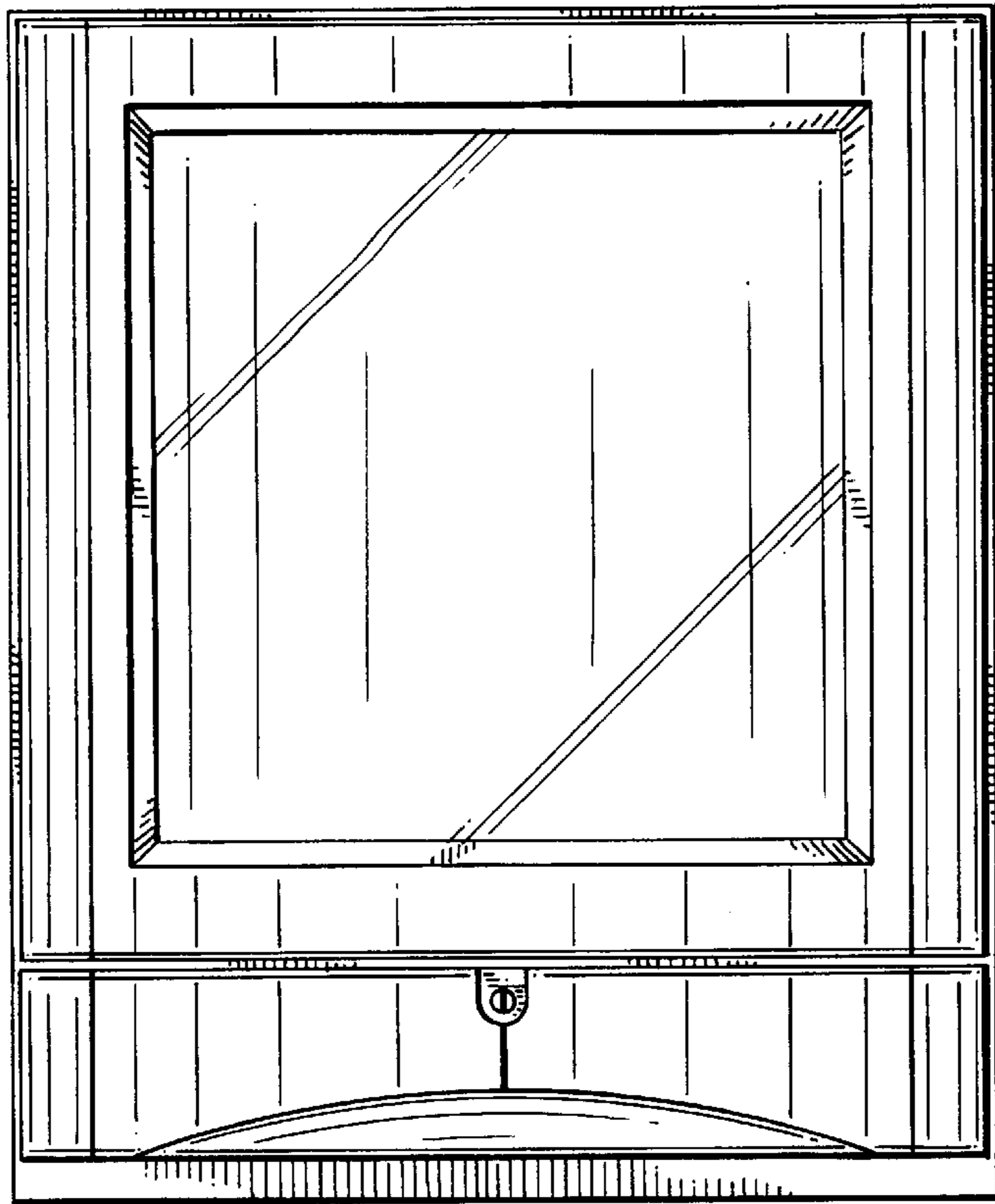


FIG. 2

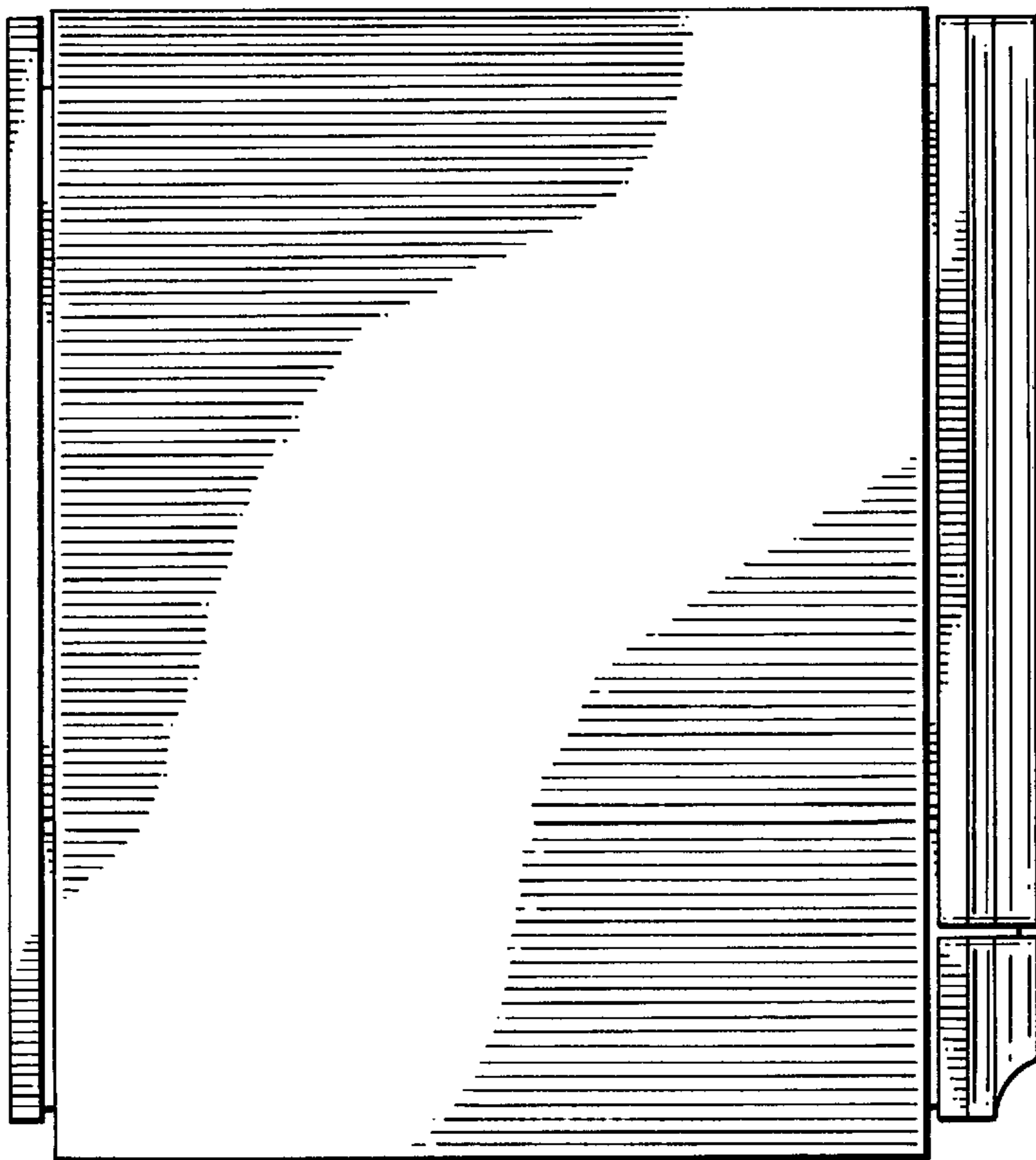


FIG. 3

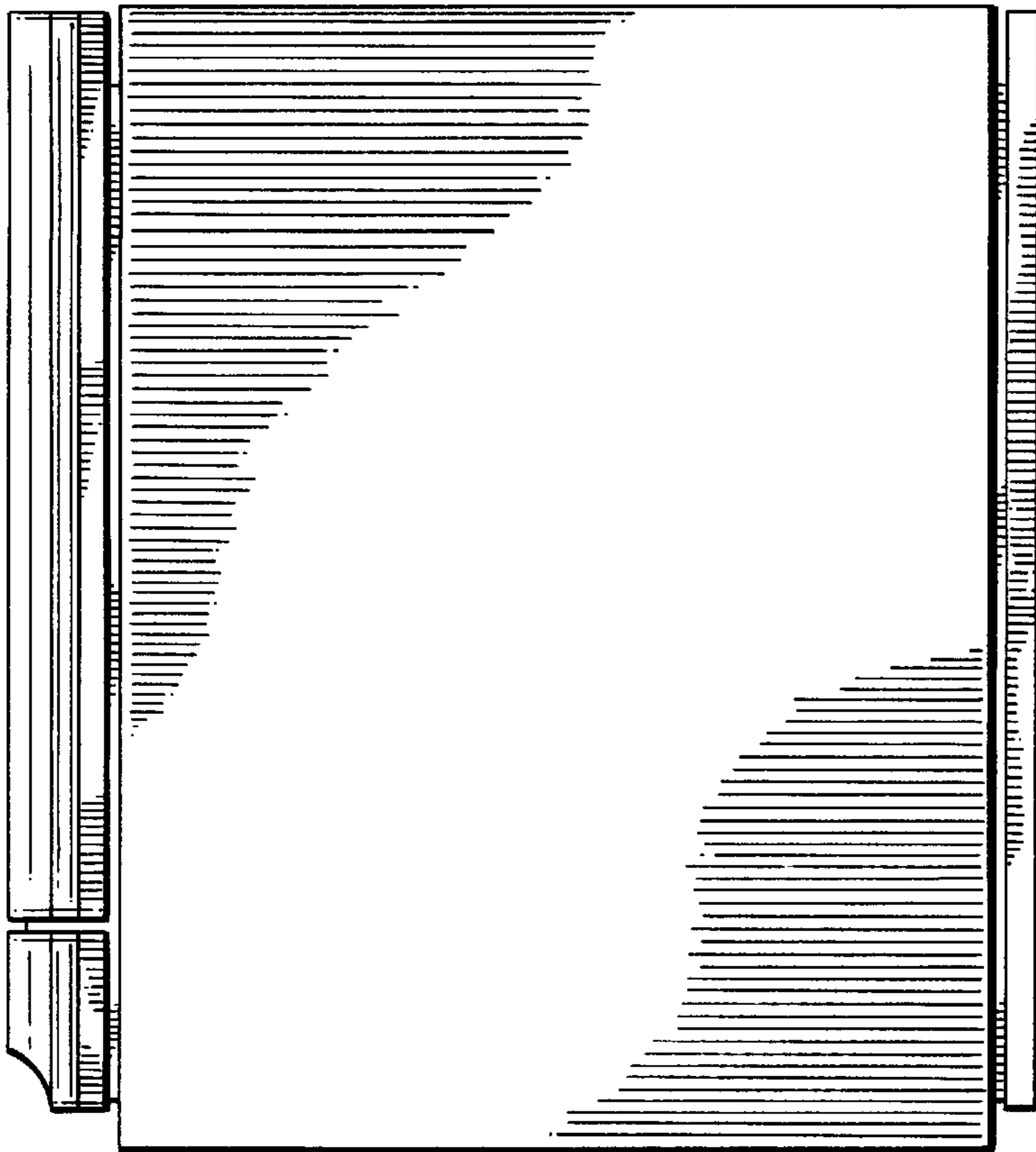


FIG. 4

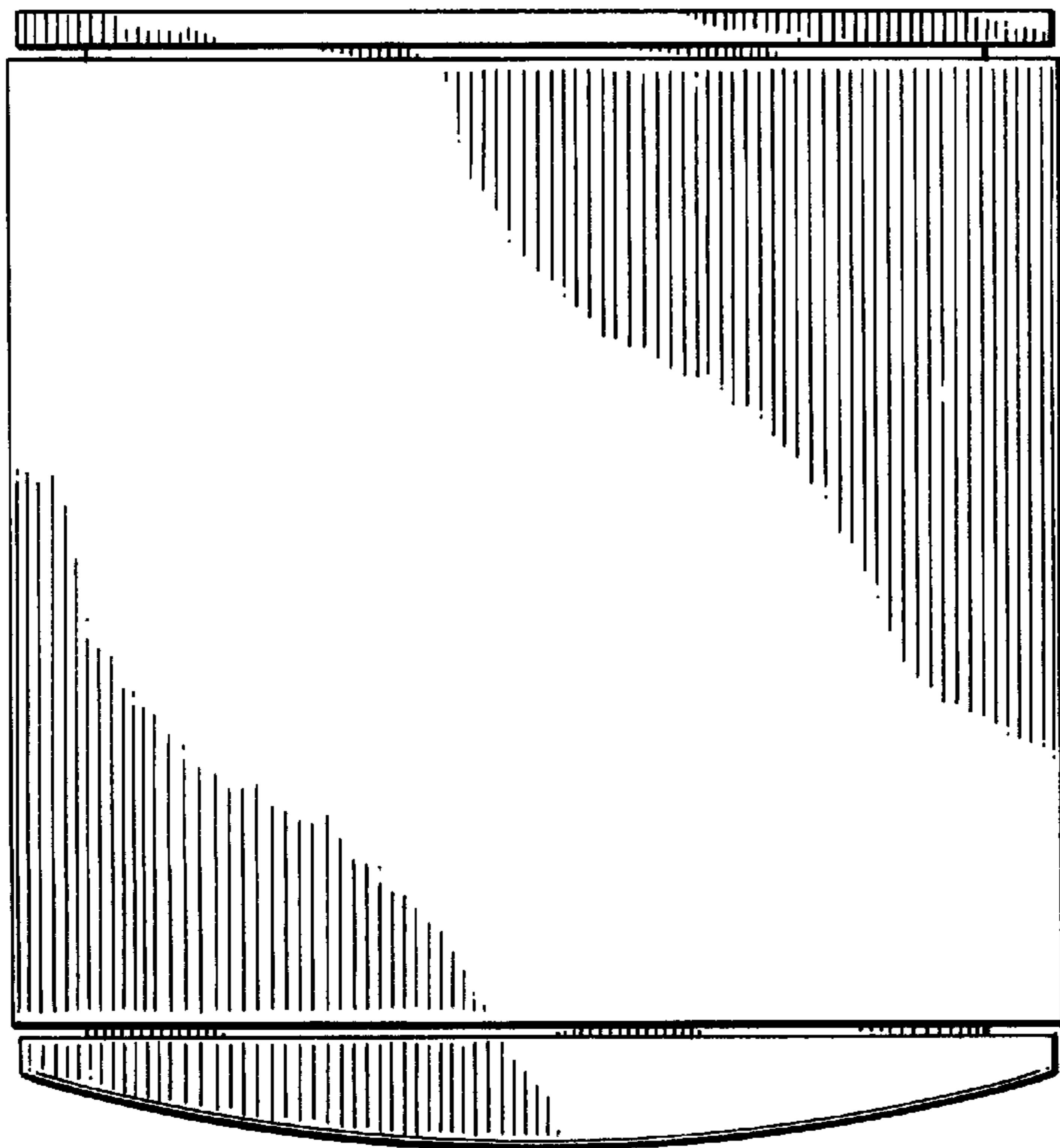


FIG. 5

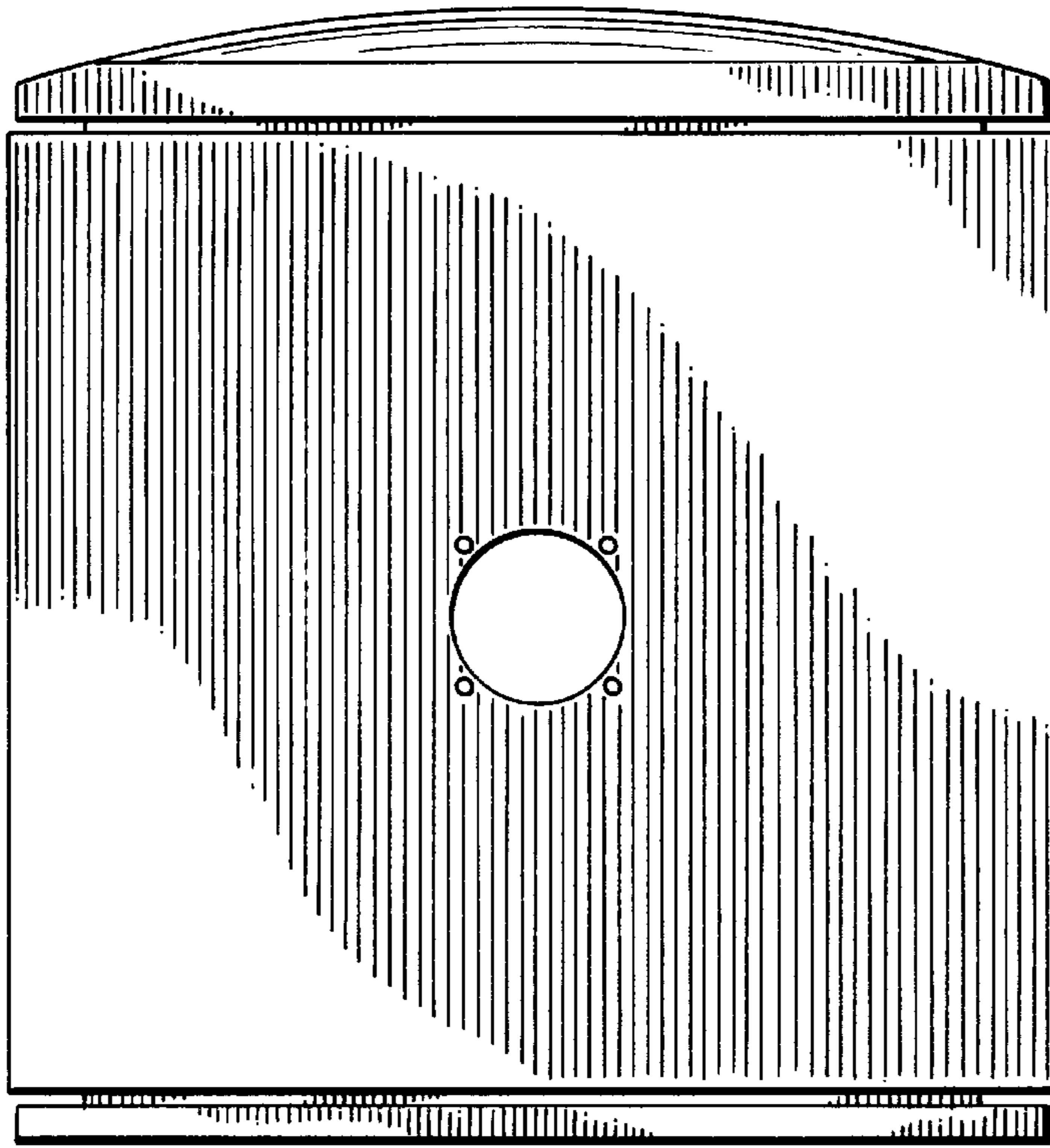


FIG. 6

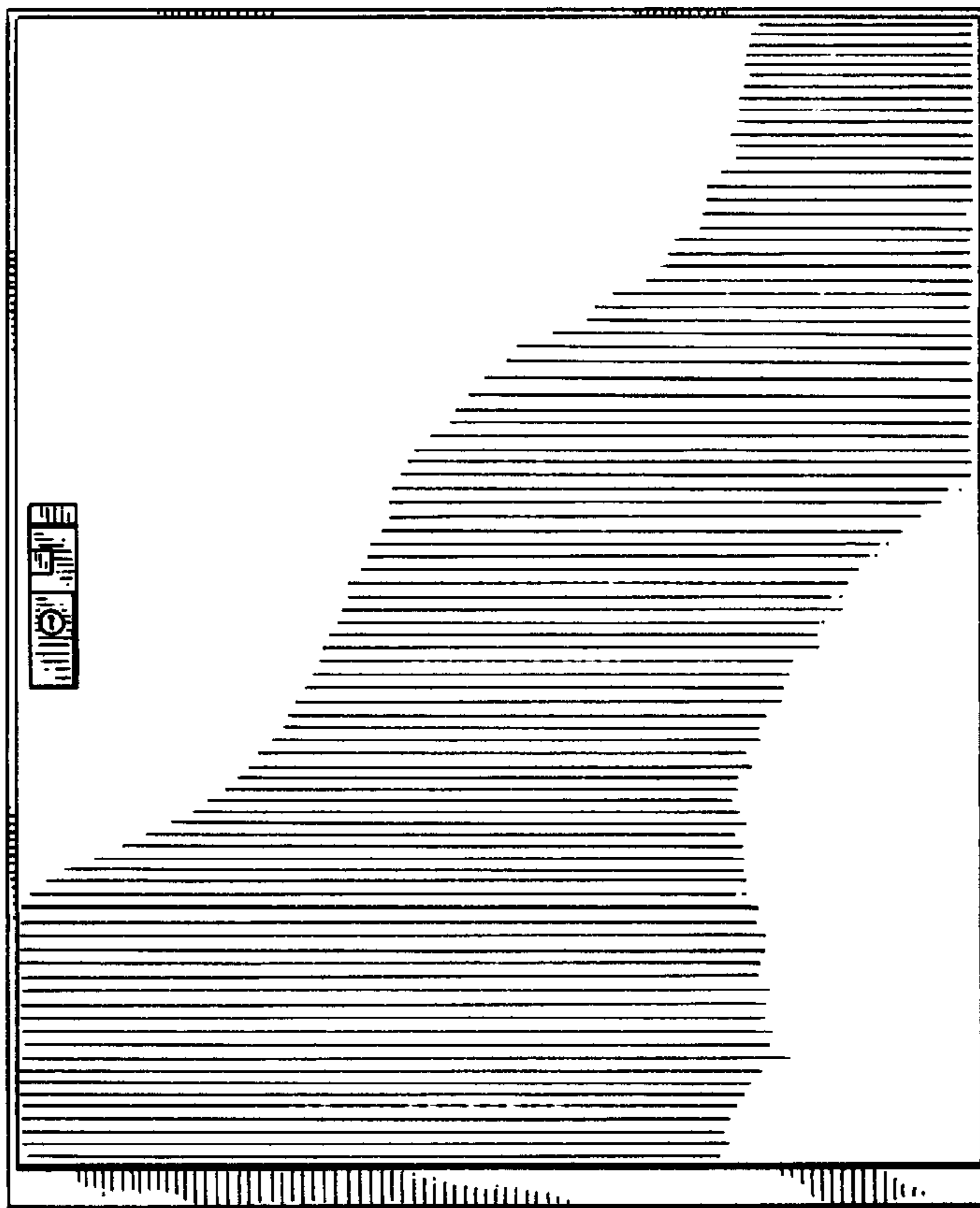


FIG. 7

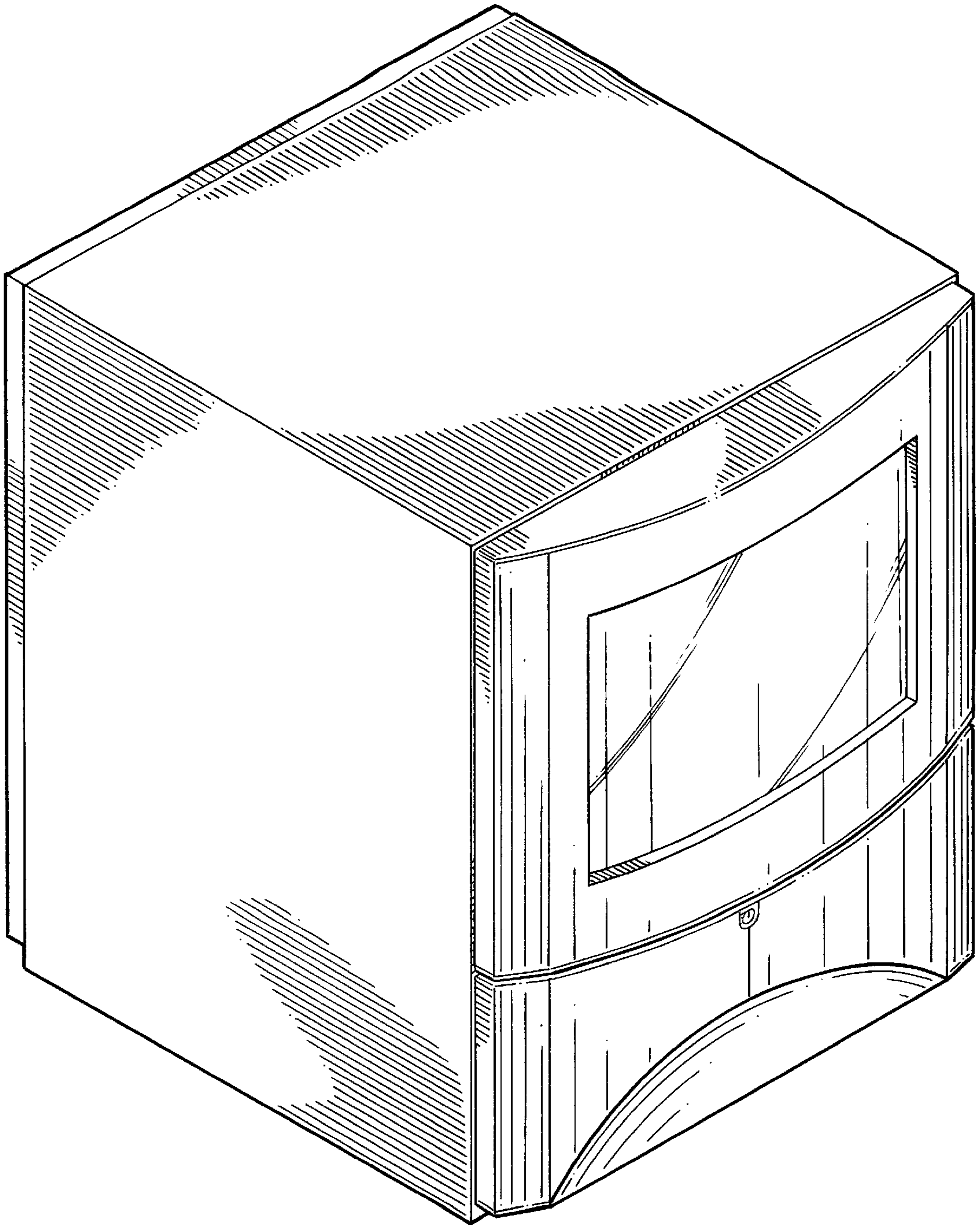


FIG. 8

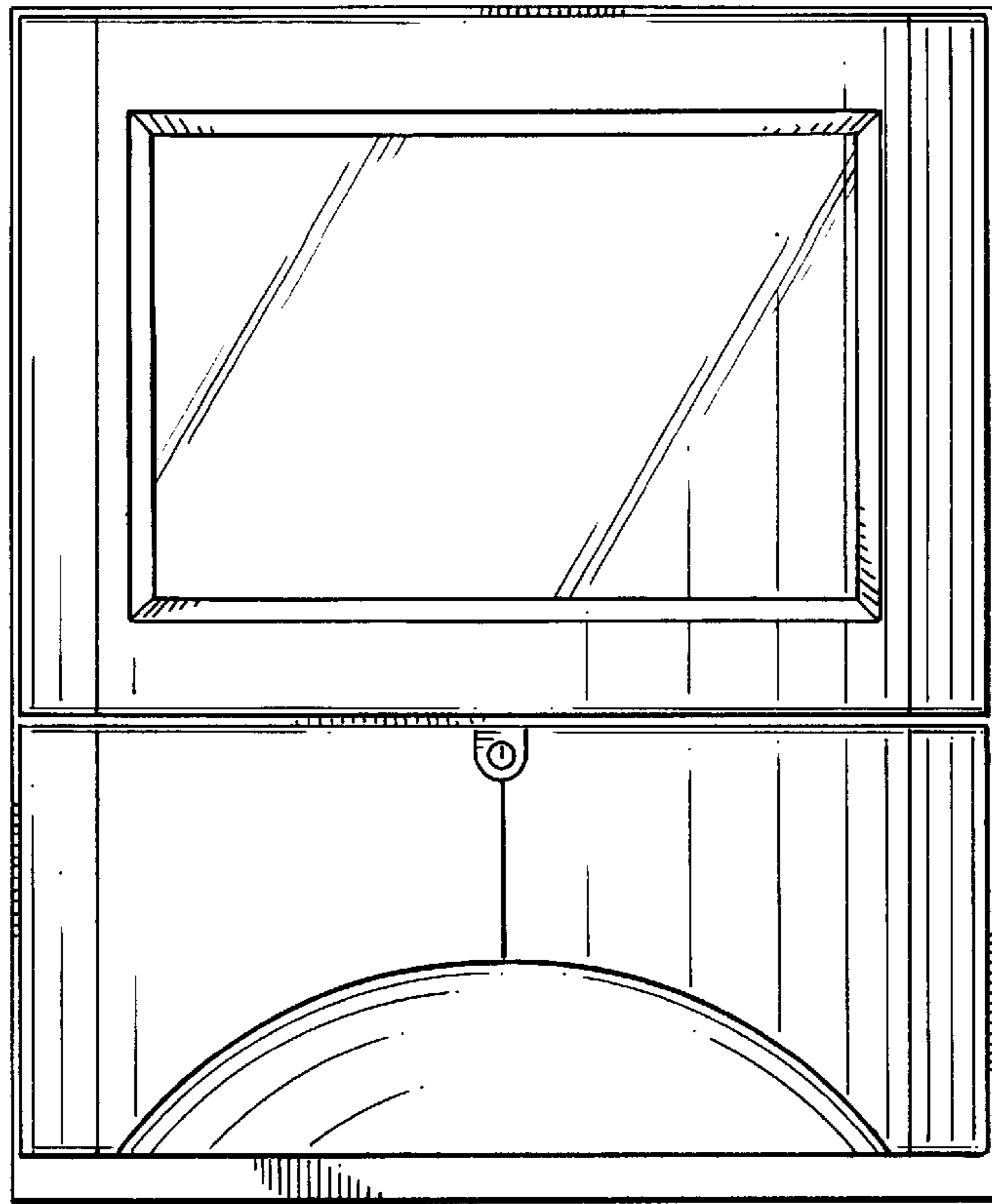


FIG. 9

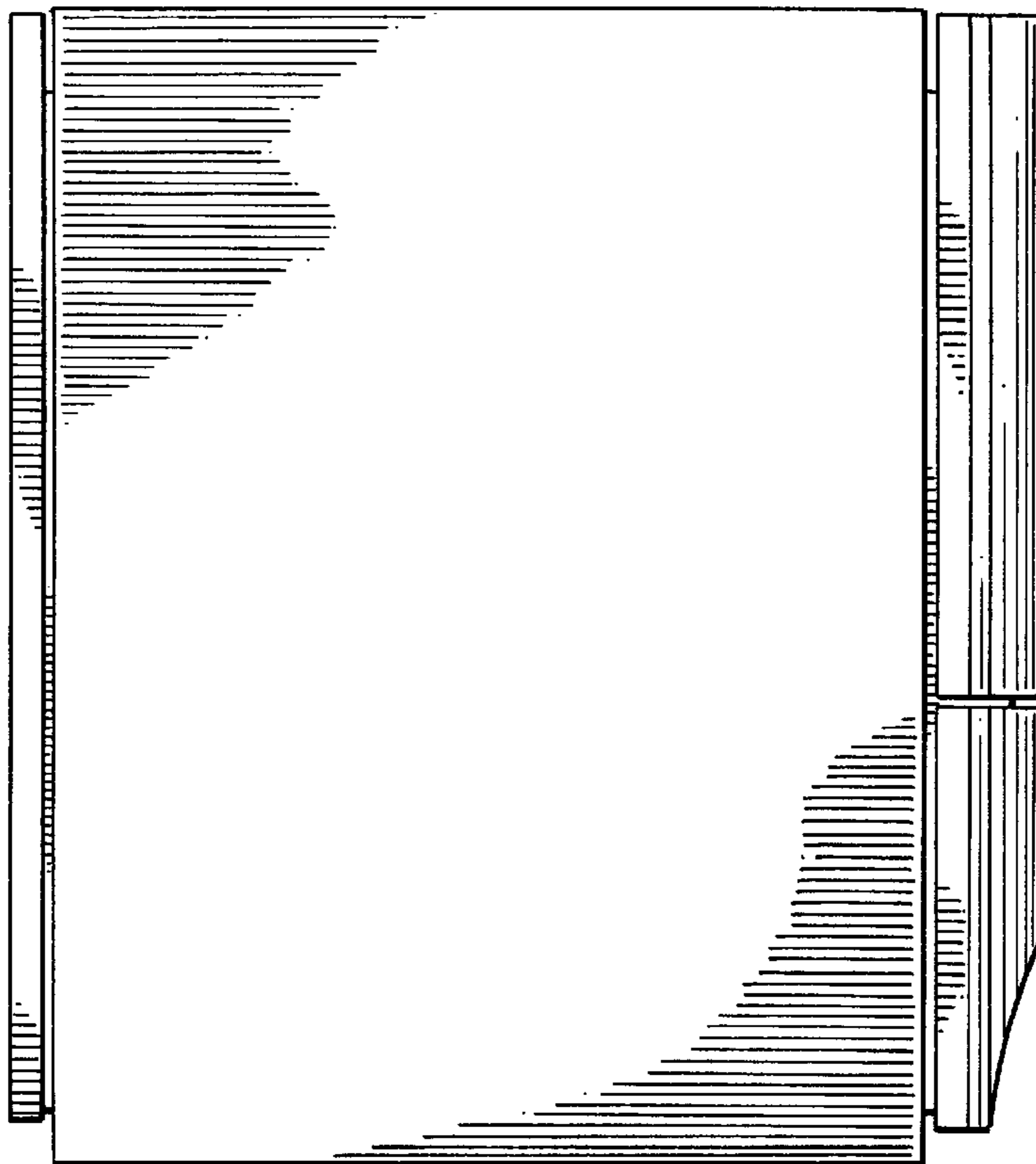


FIG. 10

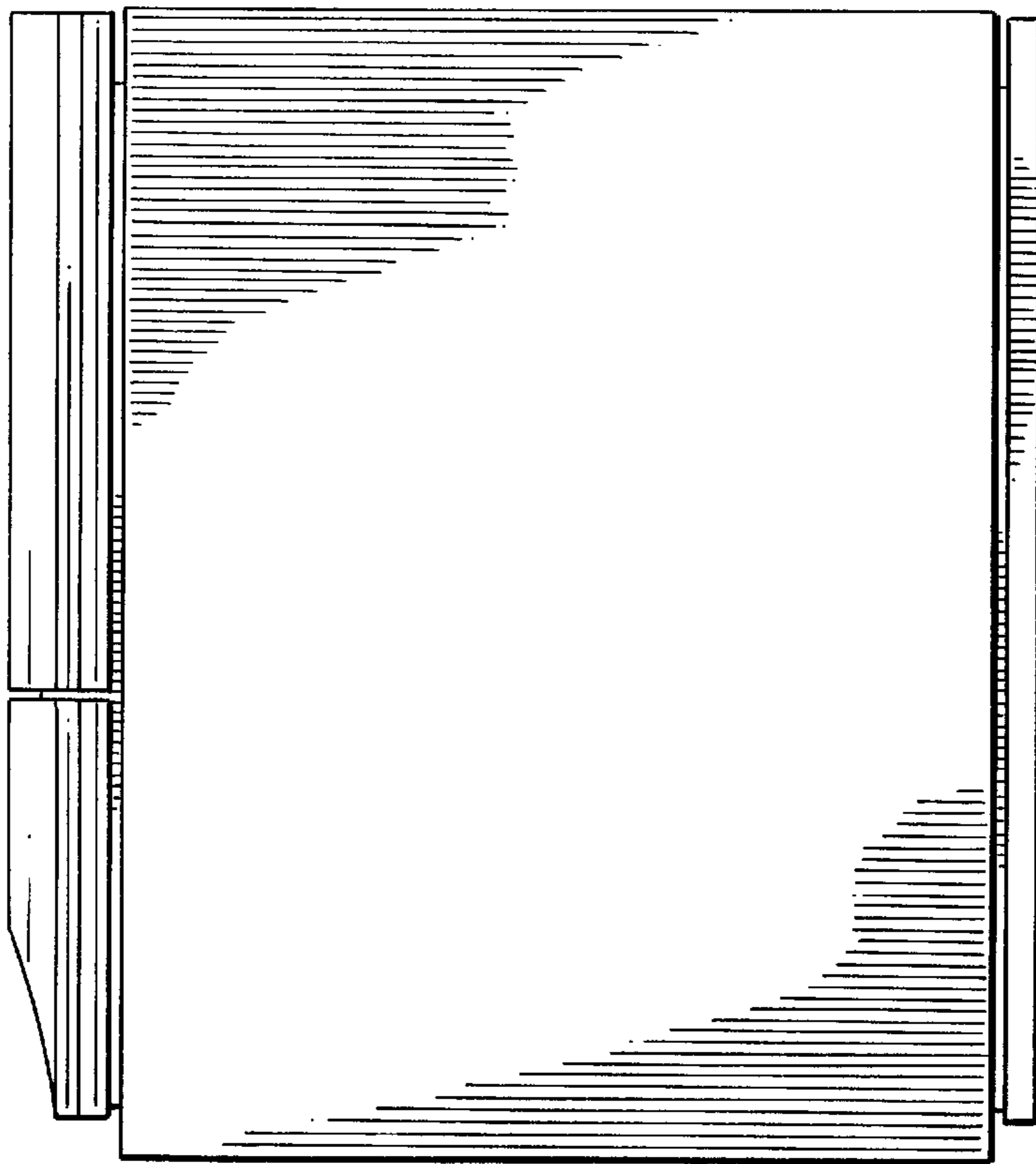


FIG. 11

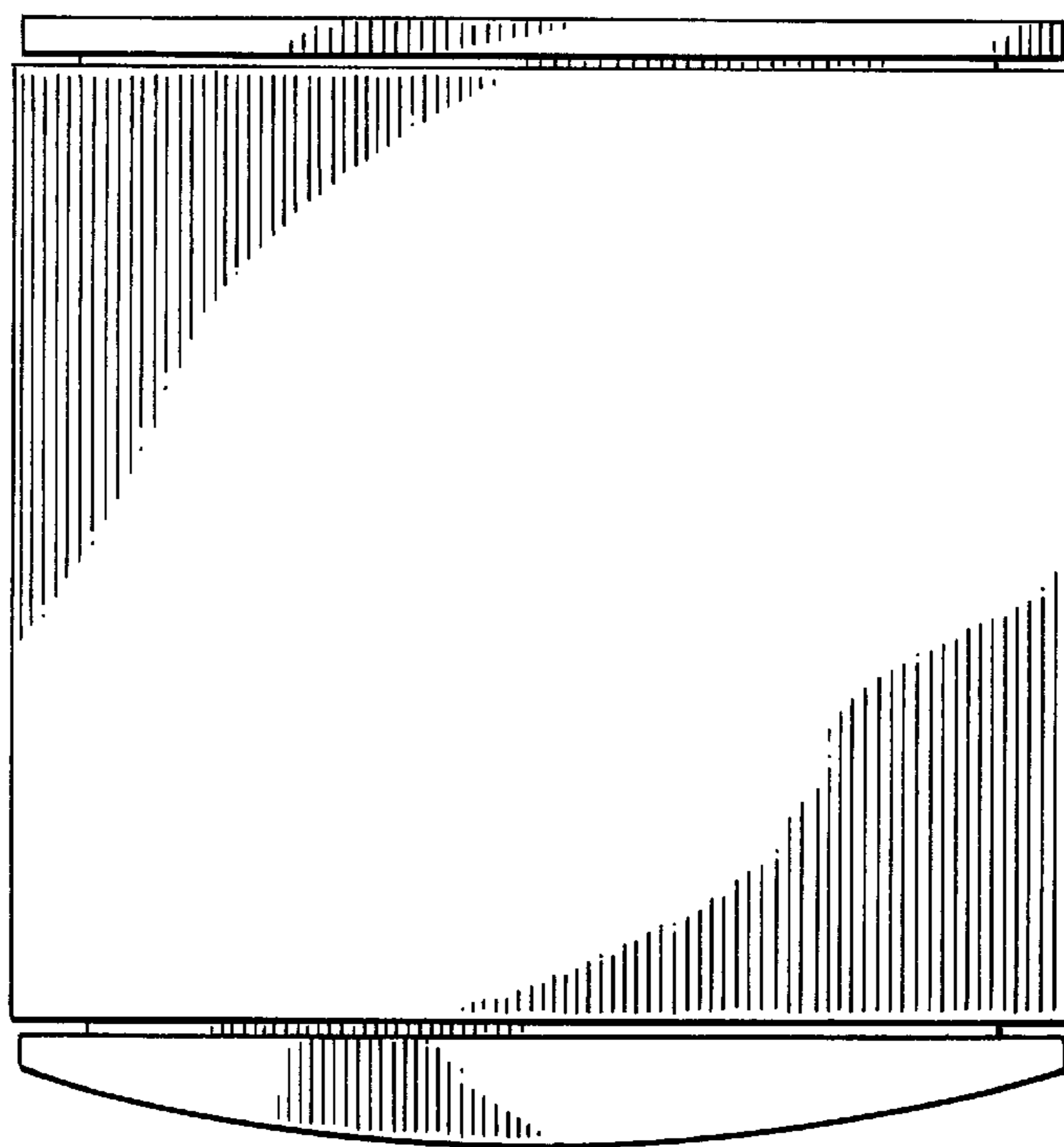


FIG. 12



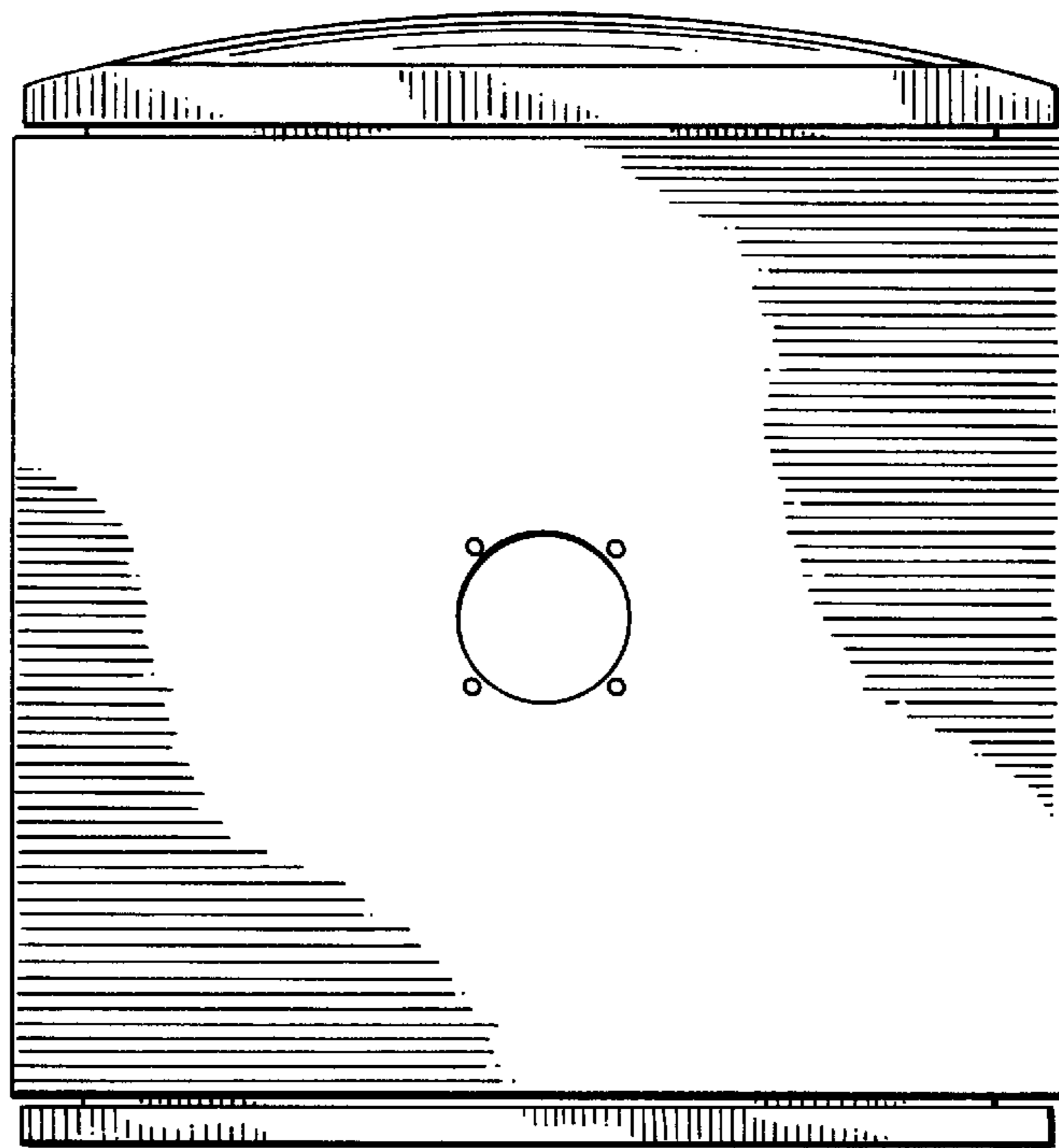


FIG. 13

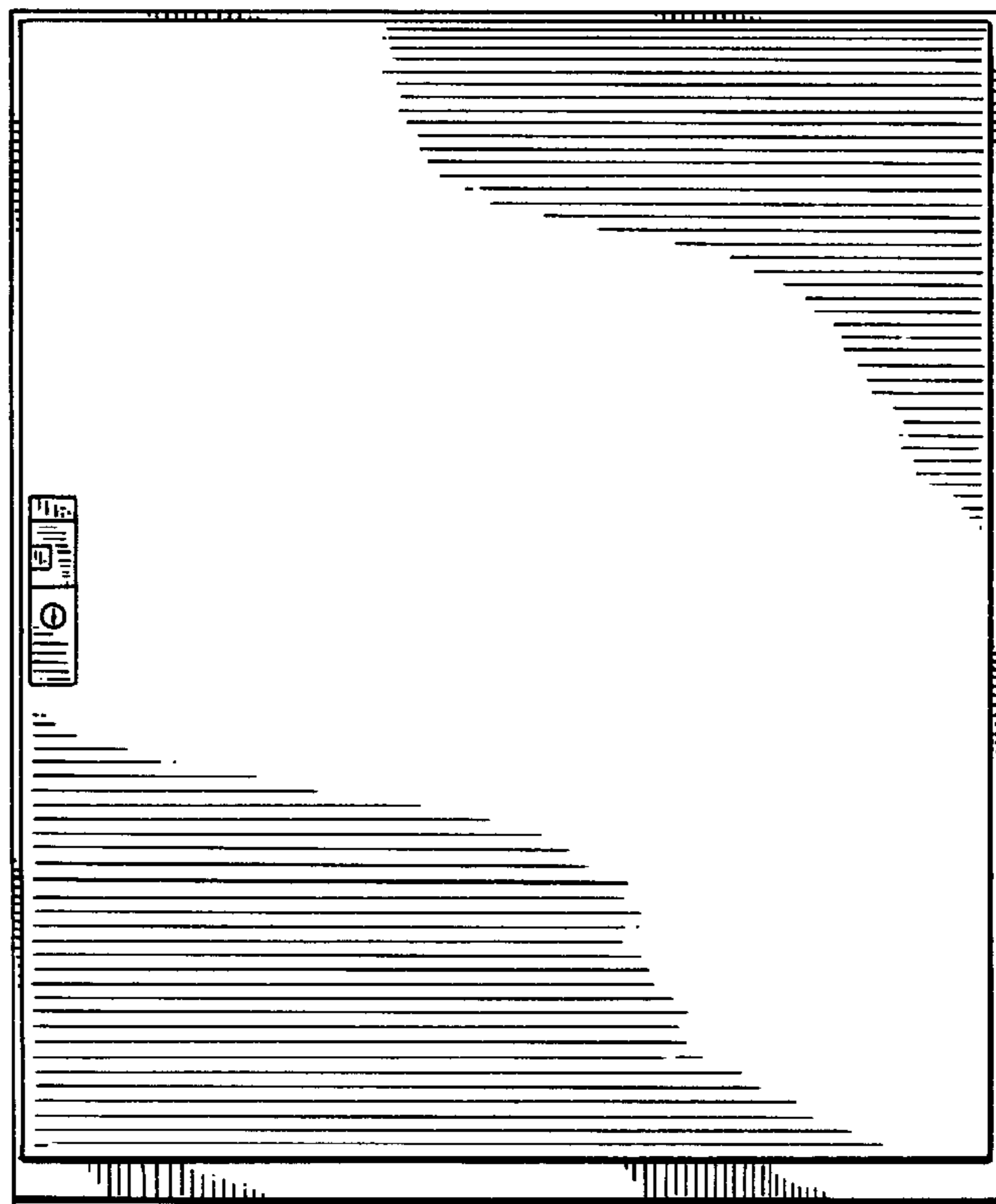


FIG. 14