



US00D410228S

United States Patent [19] Jones

[11] **Patent Number: Des. 410,228**

[45] **Date of Patent: ** May 25, 1999**

[54] **PORTABLE LANGUAGE TRANSLATOR**

5,384,701 1/1995 Stentiford et al. 704/3
5,615,301 3/1997 Rivers 704/277

[76] Inventor: **Garrick S Jones**, 379 Tarrington Way,
Bolingbrook, Ill. 60440

Primary Examiner—Freda Nunn

[**] Term: **14 Years**

[57] **CLAIM**

[21] Appl. No.: **29/077,060**

The ornamental design for a portable language translator, as shown.

[22] Filed: **Sep. 25, 1997**

DESCRIPTION

[51] **LOC (6) Cl.** **14-02**

FIG. 1 is a front elevational view of the portable language translator of the present invention;

[52] **U.S. Cl.** **D14/100; D14/140; D14/240;**
D19/59; D19/60

FIG. 2 is a back elevational view of the portable language translator of FIG. 1;

[58] **Field of Search** D14/100, 101,
D14/107, 242, 114, 140, 205, 223, 225,
226, 240; 704/3, 23.5, 257, 260, 277, 4,
2, 254, 270; D19/60, 59

FIG. 3 is a left side elevational view of the portable language translator of FIG. 1;

FIG. 4 is a right side elevational view of the portable language translator of FIG. 1;

[56] **References Cited**

U.S. PATENT DOCUMENTS

D. 273,111 3/1984 Hirata et al. D14/101
D. 324,544 3/1992 Duh D19/60
D. 332,775 1/1993 Cavanaugh D14/100

FIG. 5 is a top plan view of the portable language translator of FIG. 1; and,

FIG. 6 is a bottom plan view of the portable language translator of FIG. 1.

1 Claim, 3 Drawing Sheets

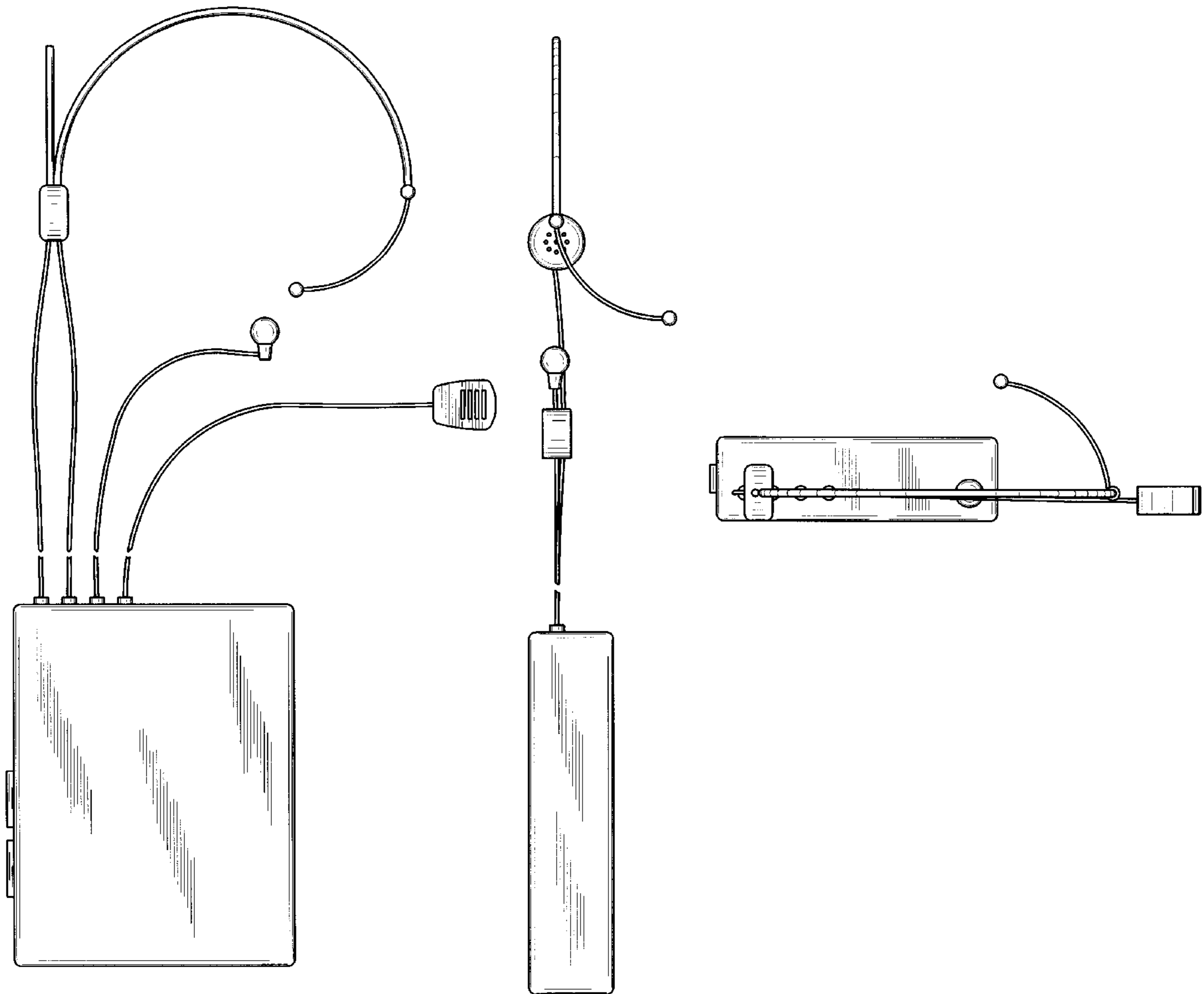


FIG. 1

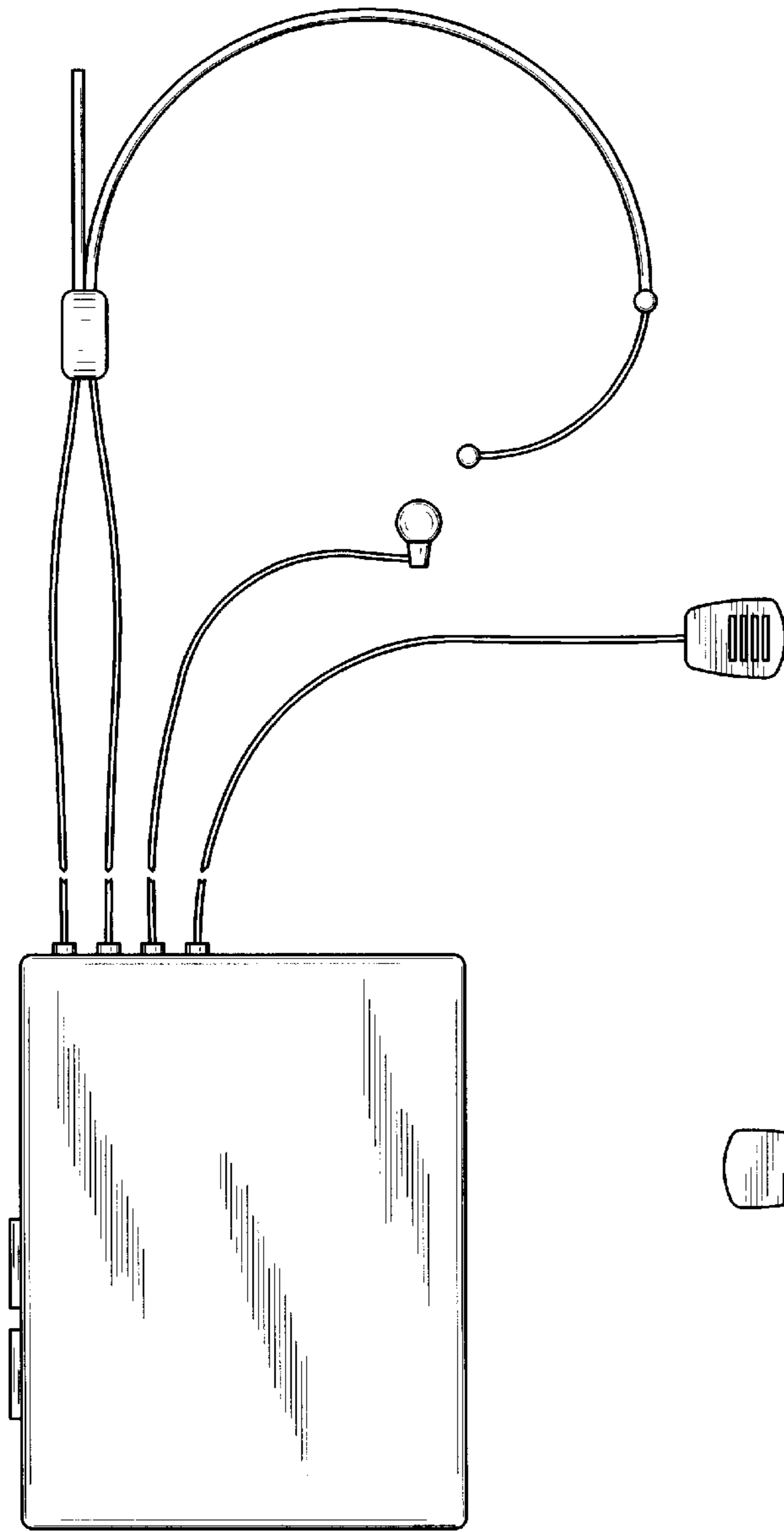


FIG. 2

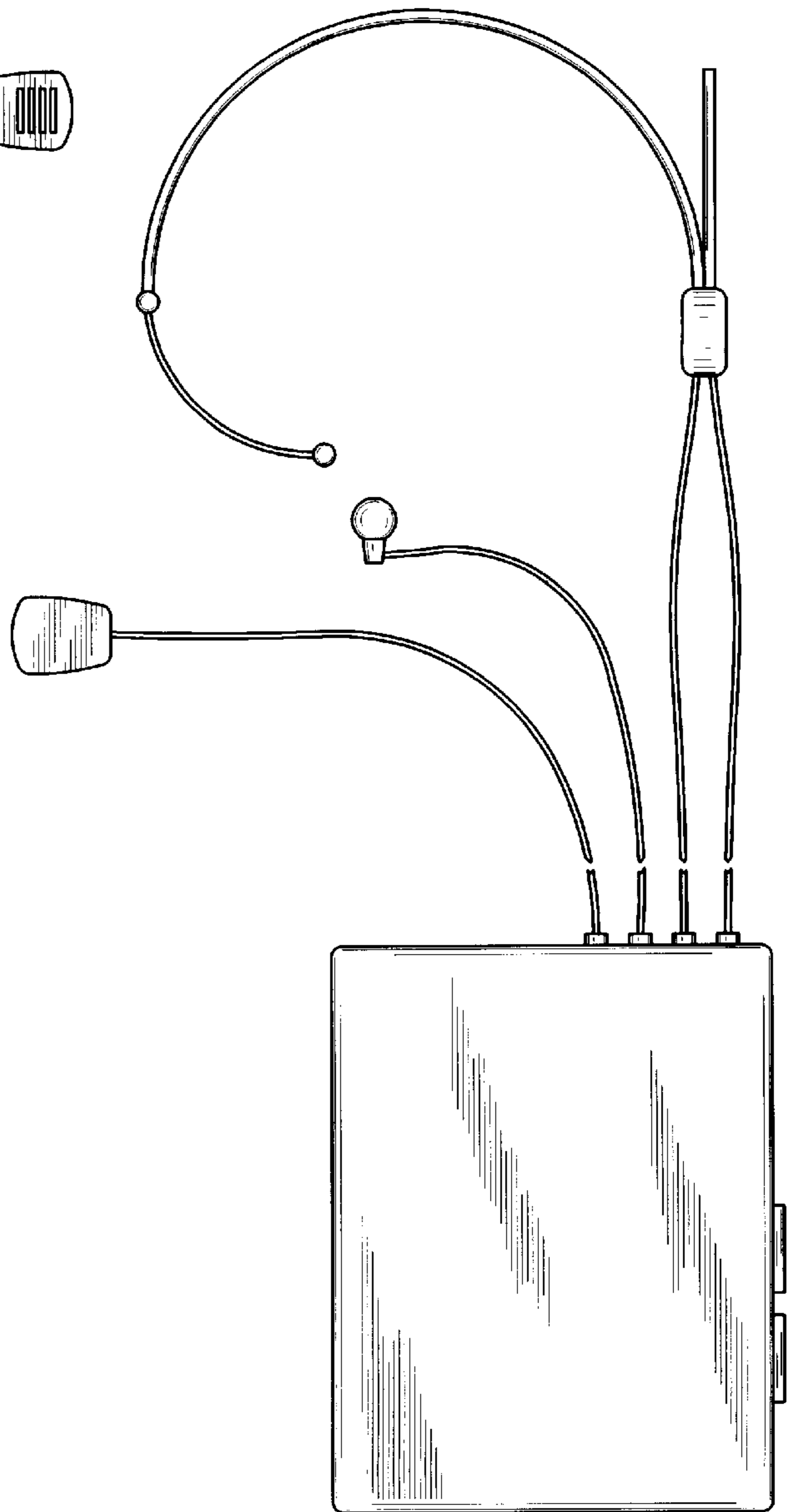


FIG. 3

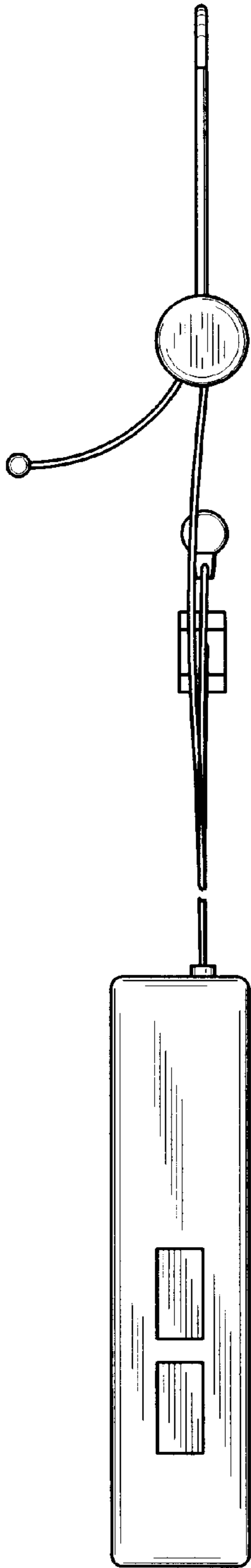


FIG. 4

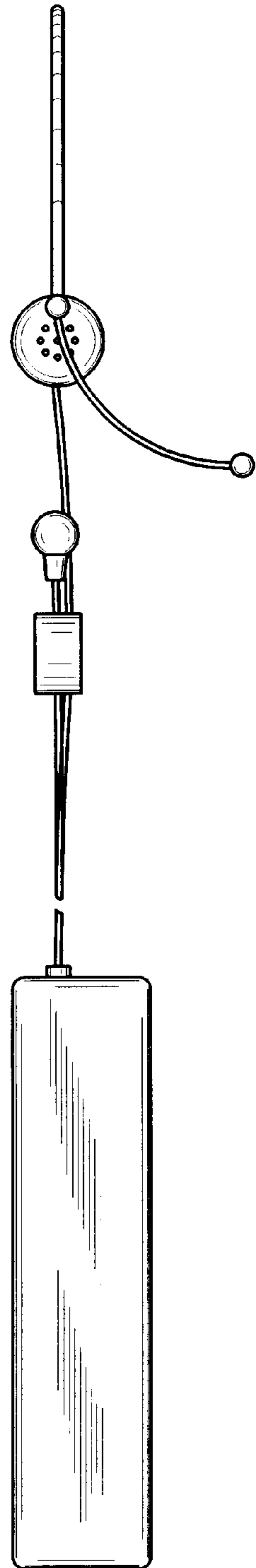


FIG. 5

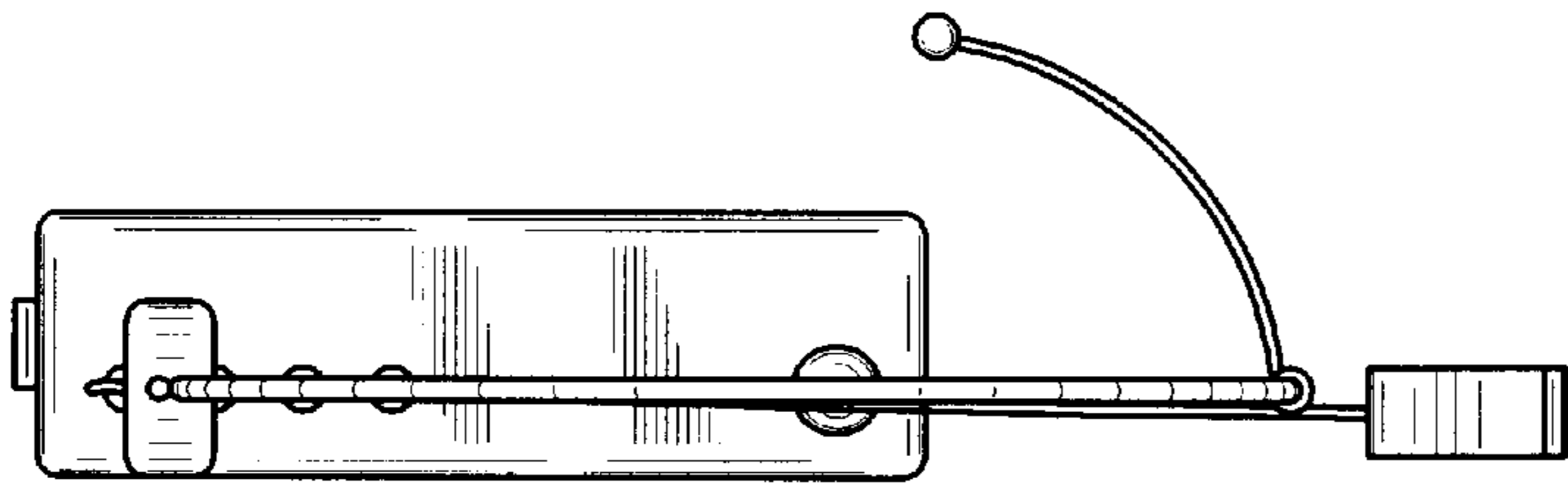


FIG. 6

