



US00D410225S

United States Patent [19]
Yu

[11] **Patent Number: Des. 410,225**

[45] **Date of Patent: ** May 25, 1999**

[54] **BATTERY CHARGER**

5,656,914 8/1997 Nagele et al. 320/2
5,847,541 12/1998 Hahn 320/111

[75] Inventor: **Hung-Lin Yu**, Taipei Hsien, Taiwan

[73] Assignee: **Senao International Co., Ltd.**, Taiwan

[**] Term: **14 Years**

Primary Examiner—Joel Sincavage
Attorney, Agent, or Firm—Nixon & Vanderhye

[21] Appl. No.: **29/094,934**

[22] Filed: **Oct. 14, 1998**

[57] **CLAIM**

The ornamental design for a battery charger, as shown and described.

[51] **LOC (6) Cl.** **13-02**

[52] **U.S. Cl.** **D13/107**

[58] **Field of Search** D13/107, 108;
320/107, 111–115

DESCRIPTION

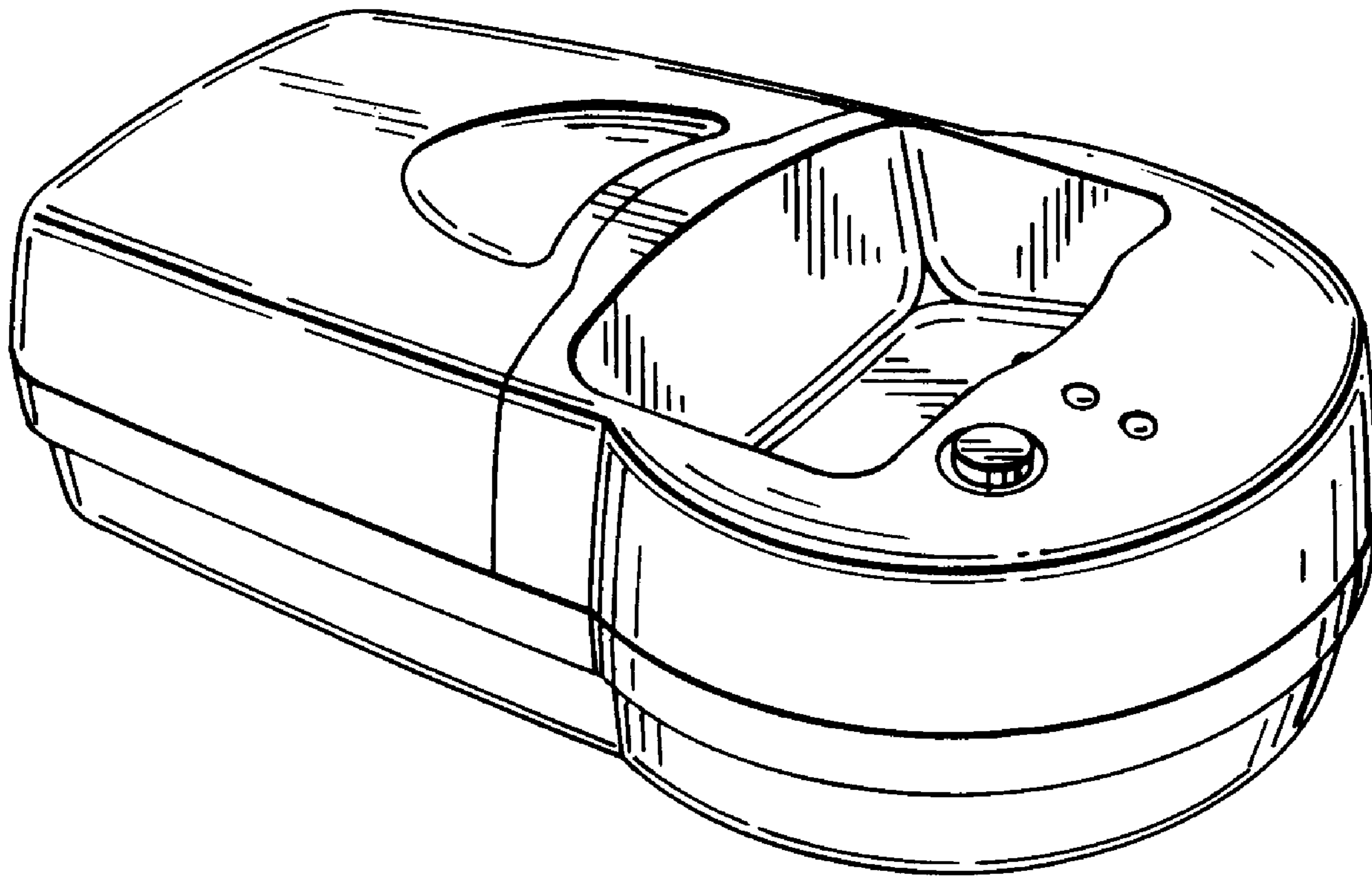
FIG. 1 is a perspective view of battery charger showing my new design;
FIG. 2 is a front elevational view thereof;
FIG. 3 is a rear elevational view thereof;
FIG. 4 is a left side elevational view thereof;
FIG. 5 is a right side elevational view thereof;
FIG. 6 is a top plan view thereof; and,
FIG. 7 is a bottom plan view thereof.

[56] **References Cited**

U.S. PATENT DOCUMENTS

- D. 258,364 2/1981 Siddoway D13/108
- D. 361,979 9/1995 Shirakawa et al. D13/108
- D. 394,423 5/1998 Nagele et al. D13/107

1 Claim, 3 Drawing Sheets



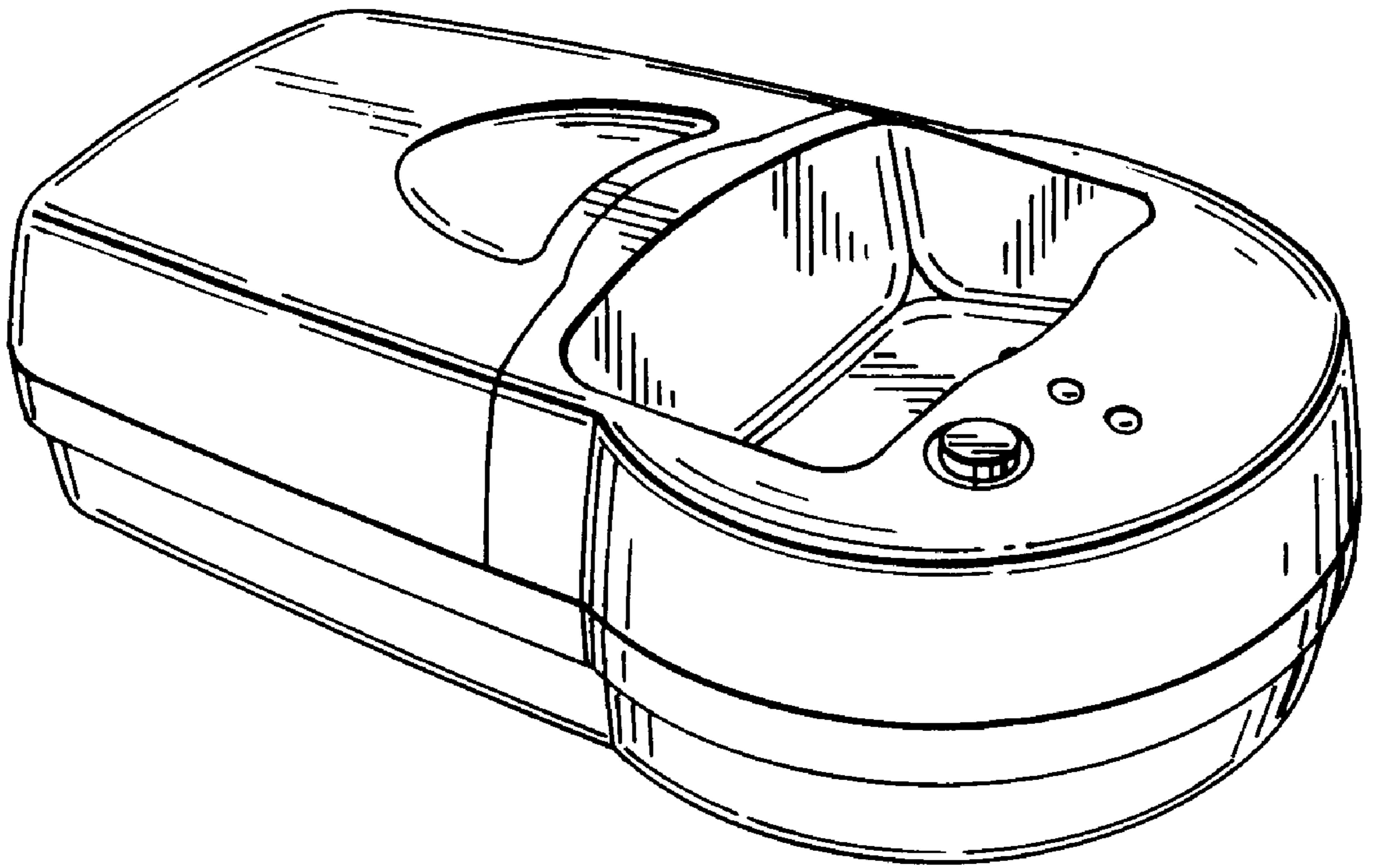


FIG. 1

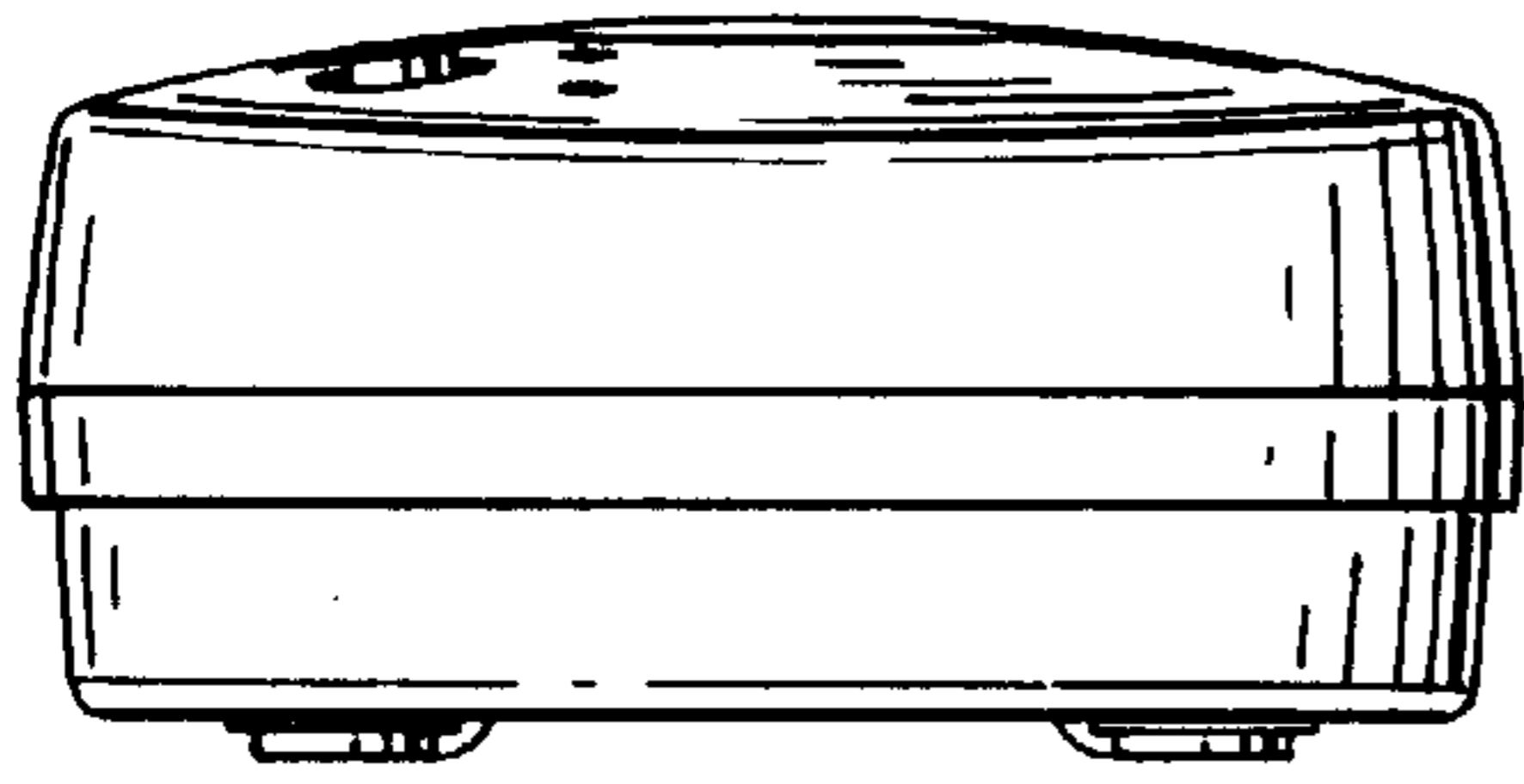


FIG. 2

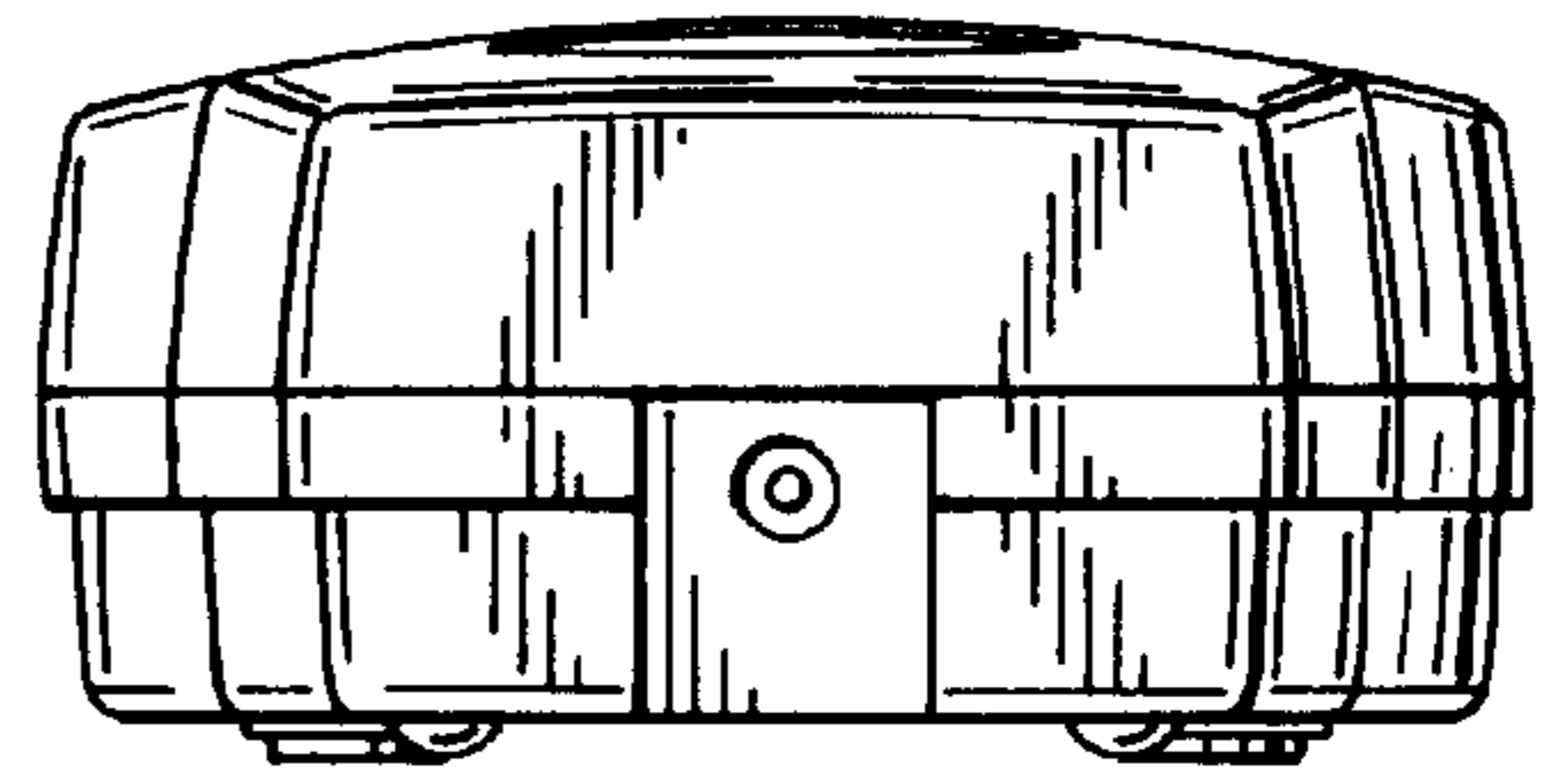


FIG. 3

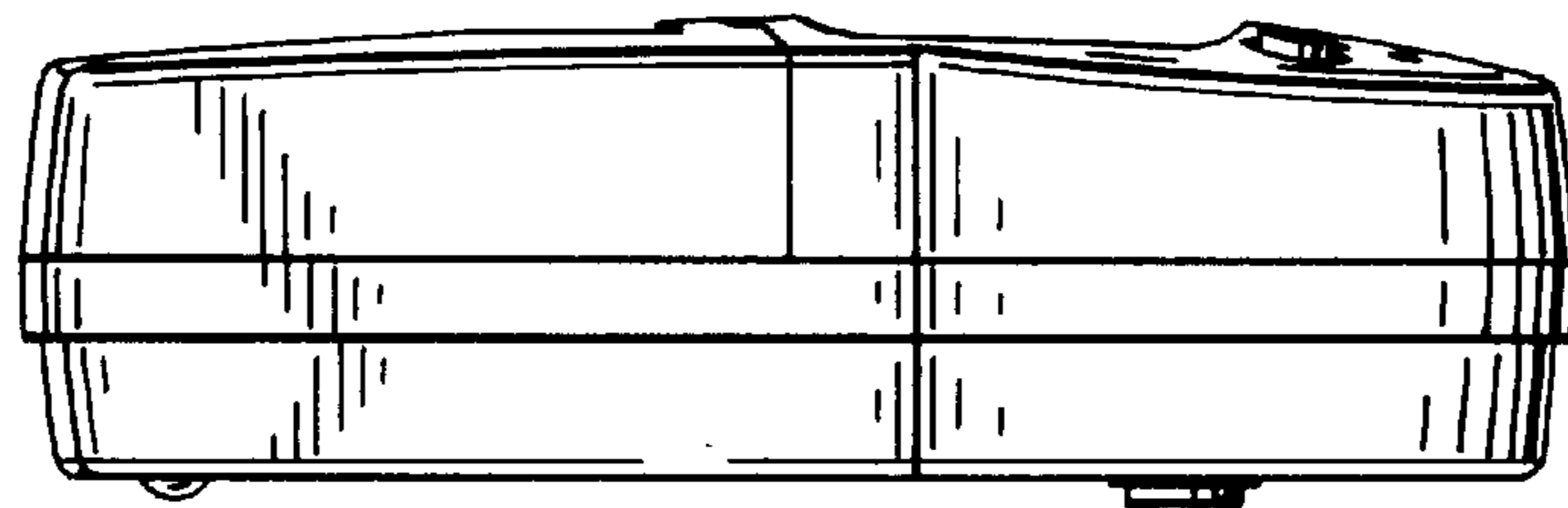


FIG. 4

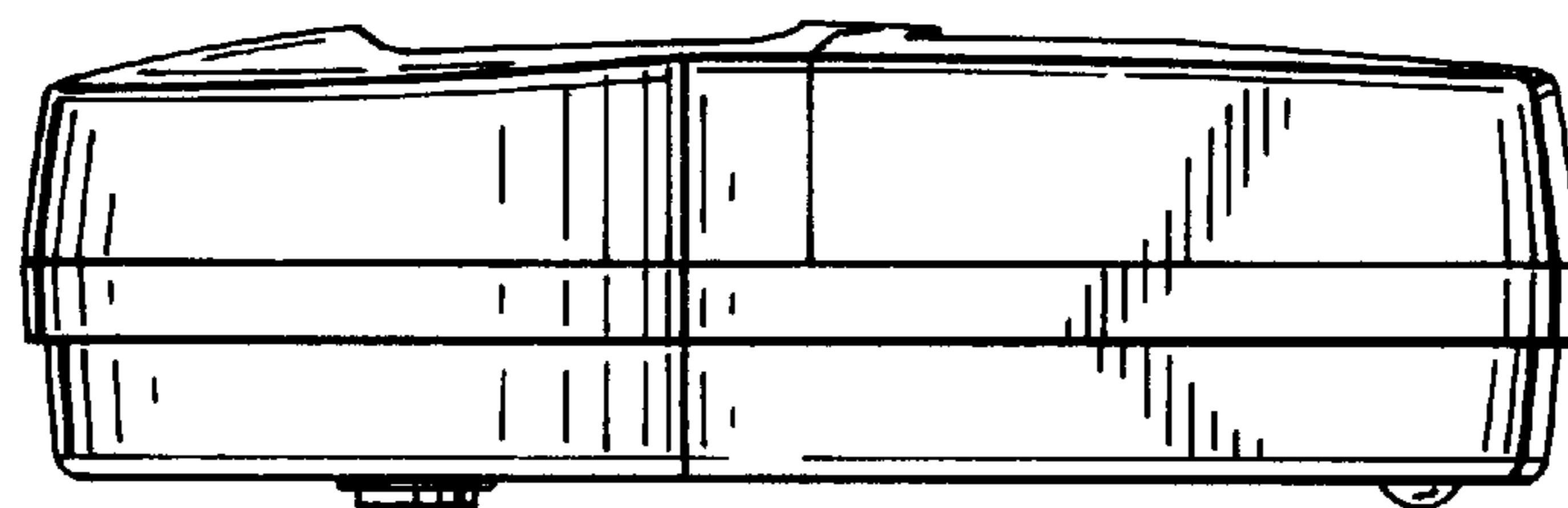


FIG. 5

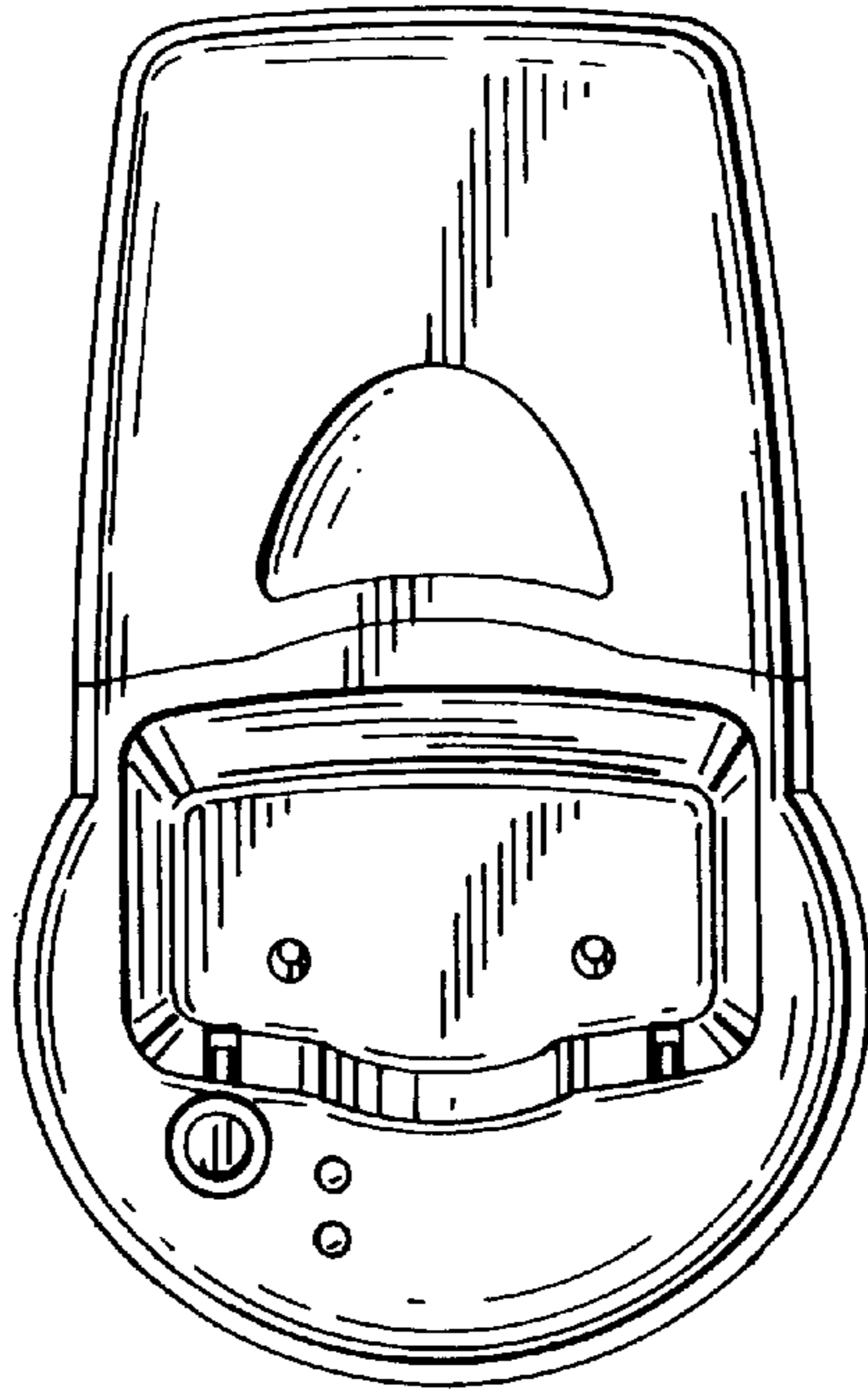


FIG. 6

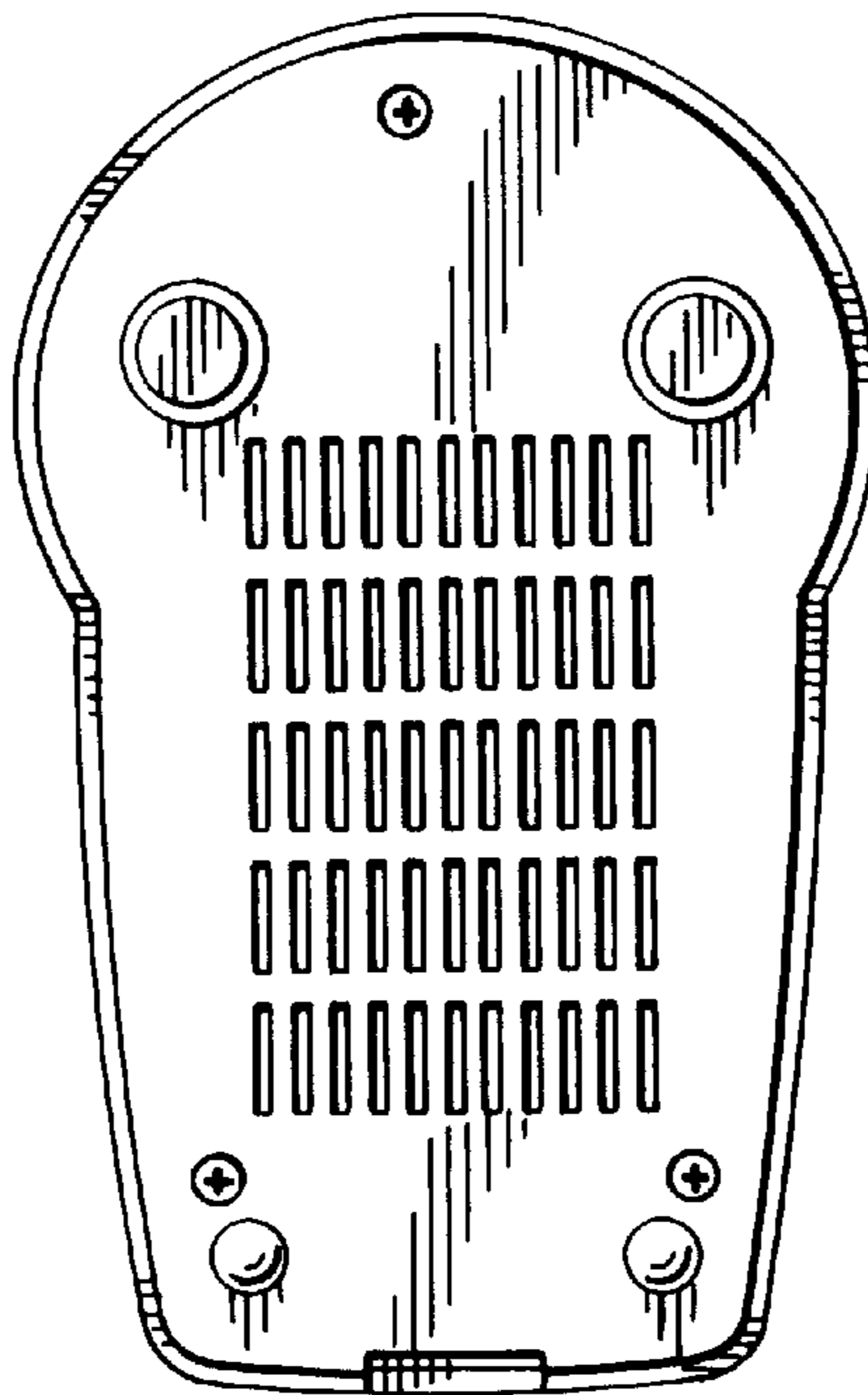


FIG. 7