



US00D410217S

United States Patent [19] Tsang-Chun

[11] **Patent Number: Des. 410,217**

[45] **Date of Patent: ** May 25, 1999**

[54] **BICYCLE FRAME**

D. 390,505 2/1998 Shiao D12/111
5,205,572 4/1993 Buell et al. 280/284

[75] Inventor: **Chang Tsang-Chun**, Chang Hwa,
Taiwan

Primary Examiner—Melody N. Brown
Attorney, Agent, or Firm—Harrison & Egbert

[73] Assignee: **Soar Run Industrial Co., Ltd.**, Chang
Hwa, Taiwan

[57] **CLAIM**

[**] Term: **14 Years**

I claim the ornamental design for a bicycle frame, as shown
and described.

[21] Appl. No.: **29/087,327**

DESCRIPTION

[22] Filed: **Apr. 30, 1998**

FIG. 1 is an top and front perspective view of a bicycle
frame showing my design.

[51] **LOC (6) Cl.** **12-11**

FIG. 2 is an end view thereof;

[52] **U.S. Cl.** **D12/111**

FIG. 3 is a front view thereof;

[58] **Field of Search** D12/111; 280/281.1,
280/288.1–288.3, 284

FIG. 4 is a side view thereof;

FIG. 5 is an opposite side view thereof;

FIG. 6 is a bottom view thereof; and,

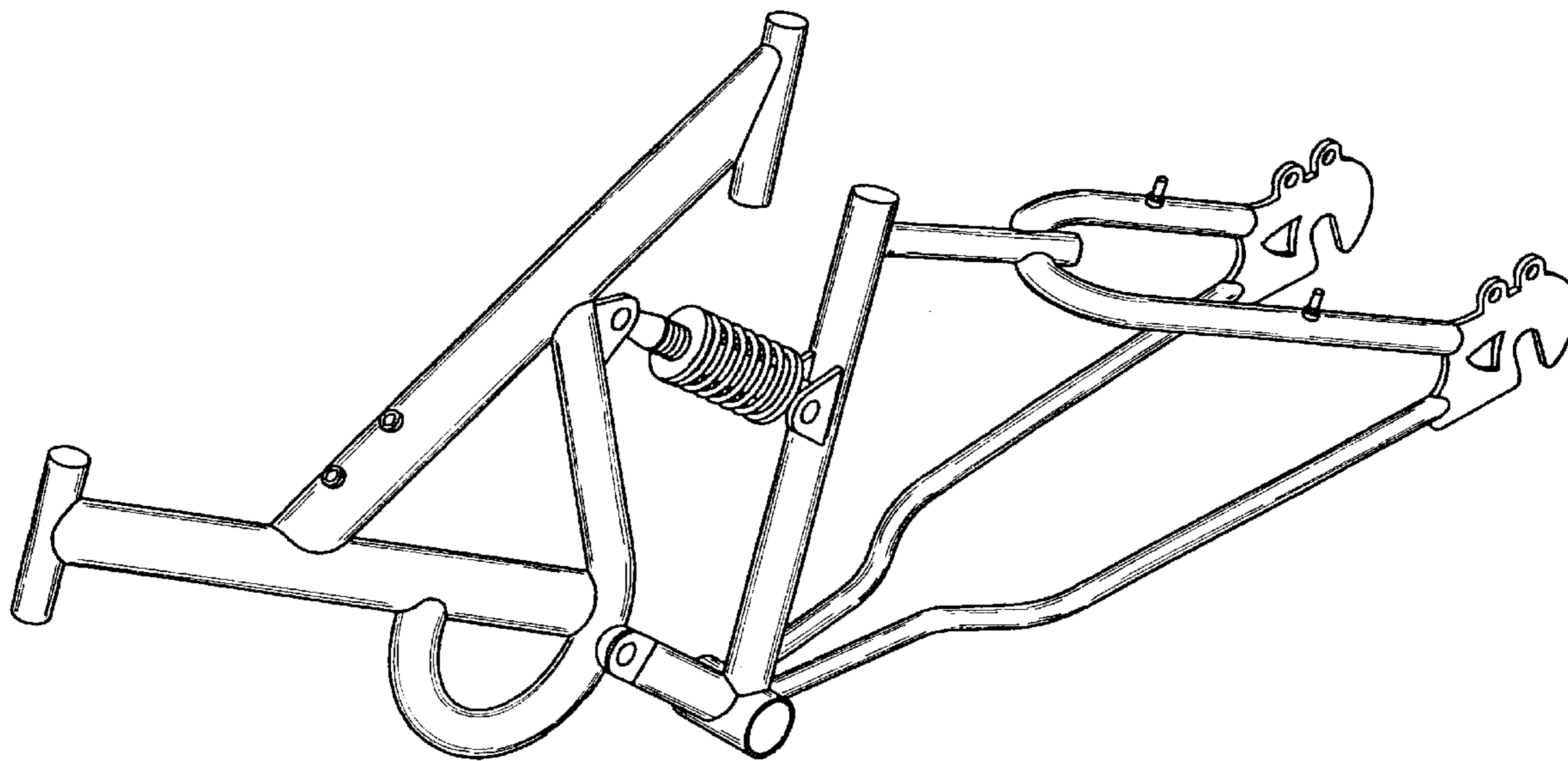
FIG. 7 is a top plan view thereof.

[56] **References Cited**

U.S. PATENT DOCUMENTS

D. 377,464 1/1997 Keink D12/111

1 Claim, 4 Drawing Sheets



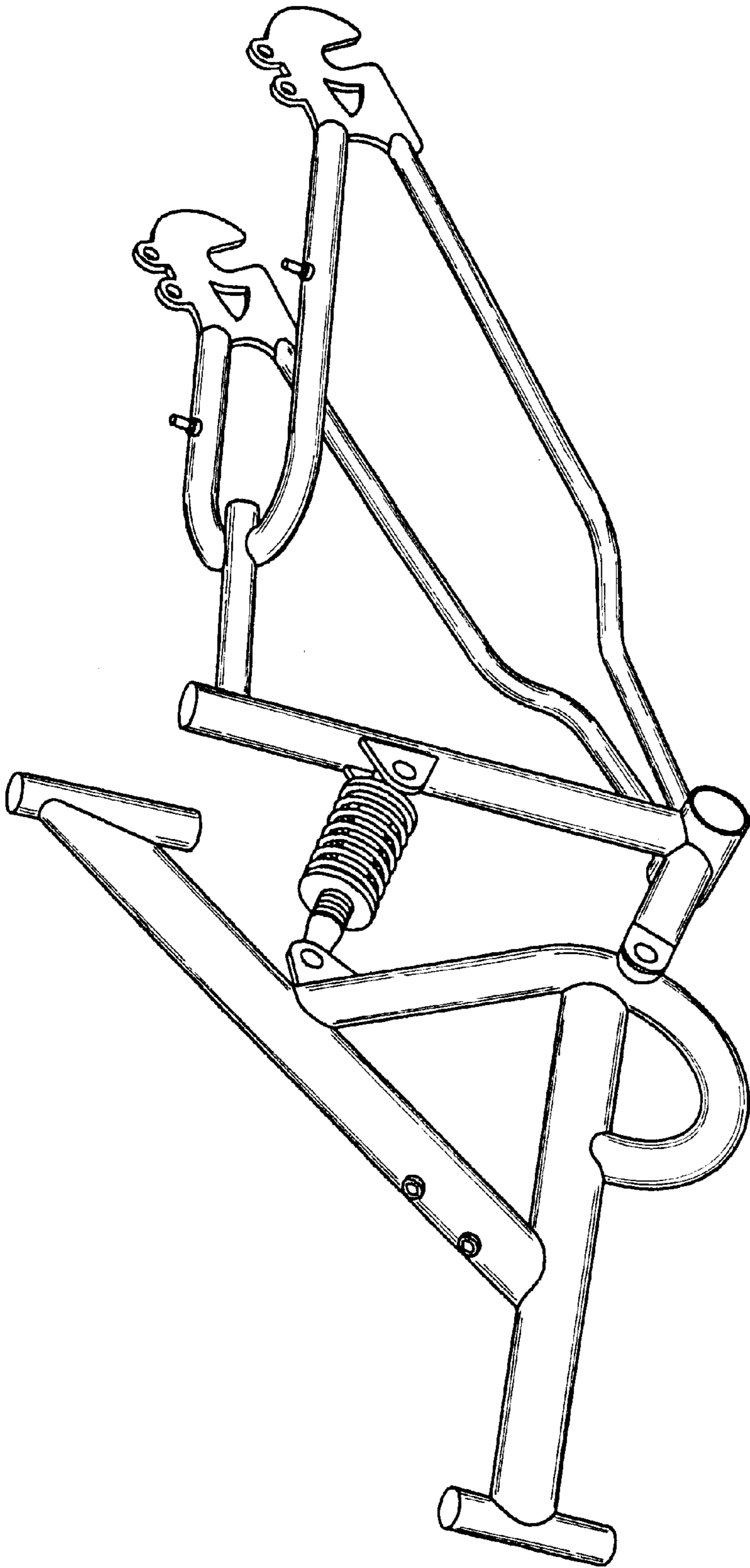


FIG.1

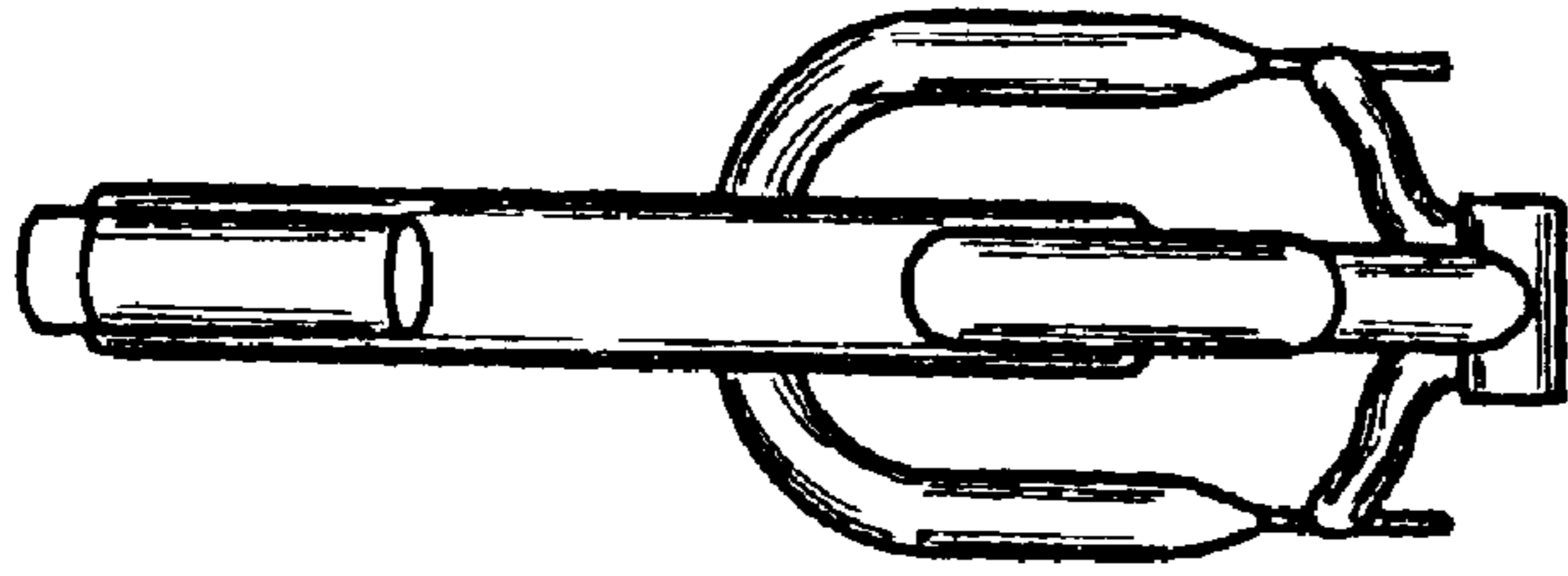


FIG. 2

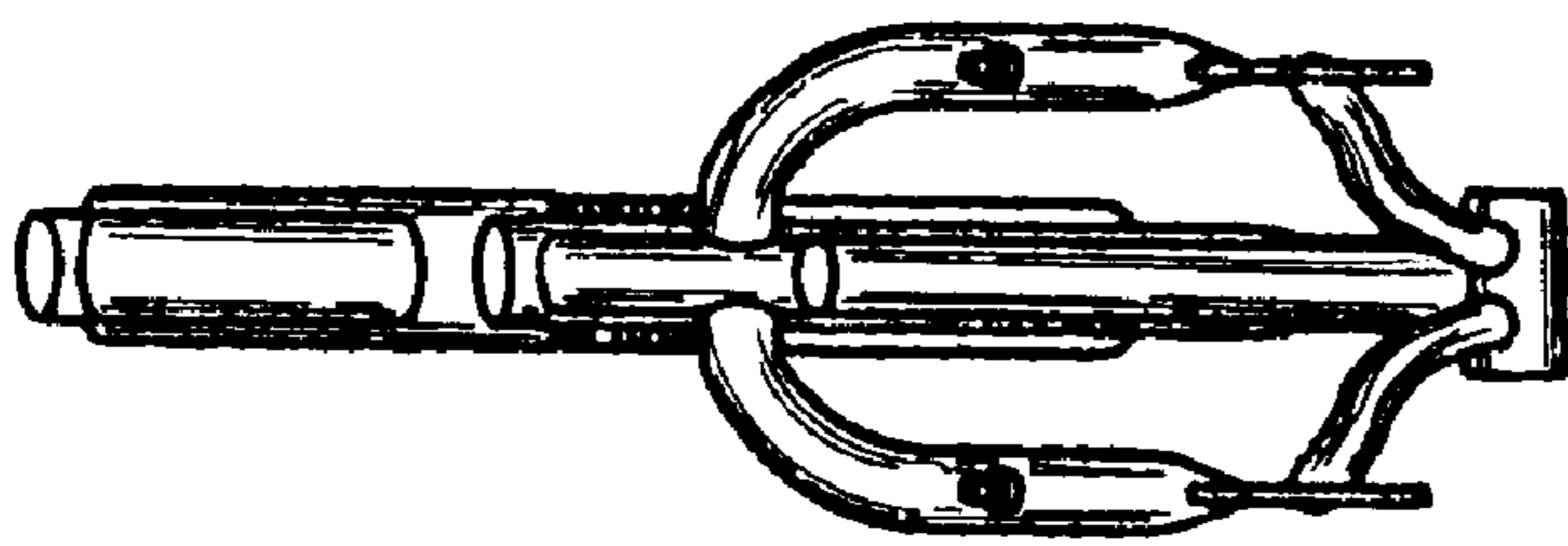


FIG. 3

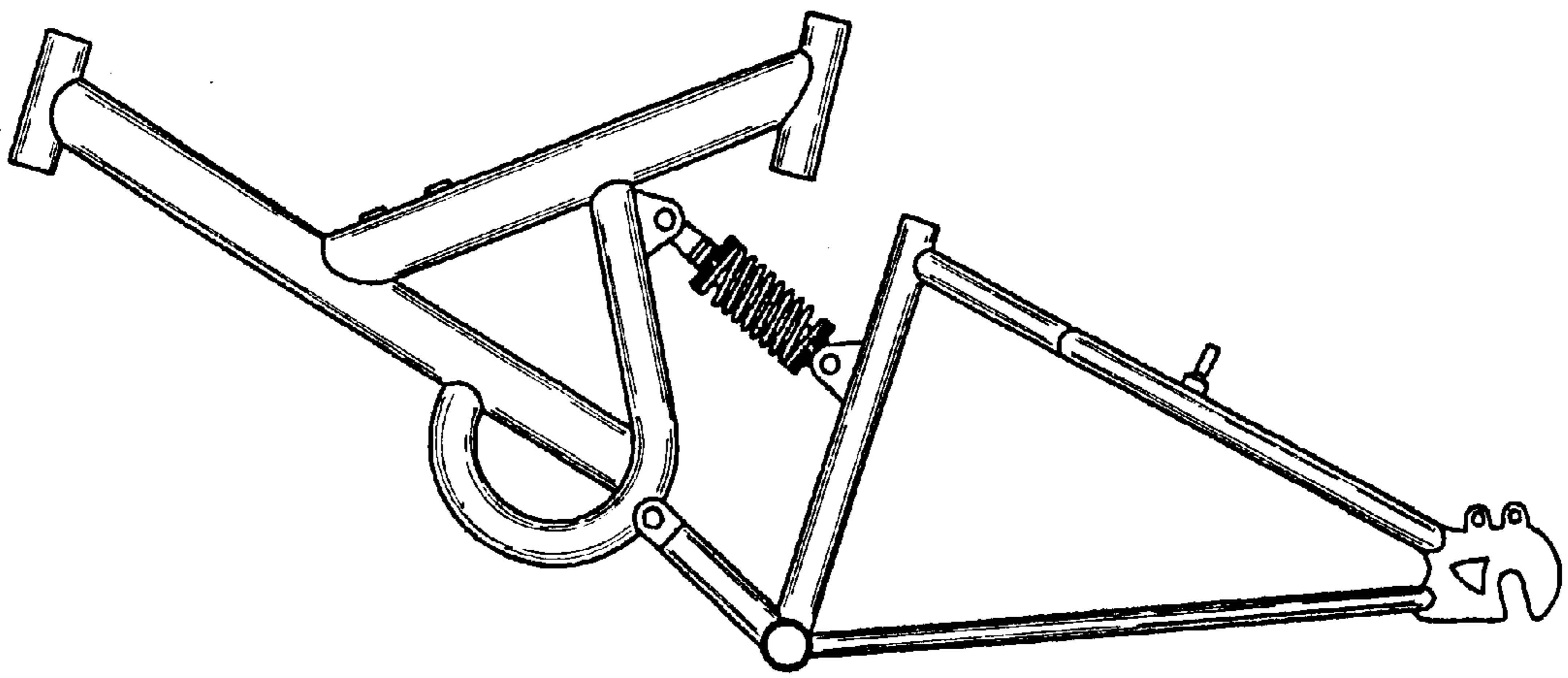


FIG.4

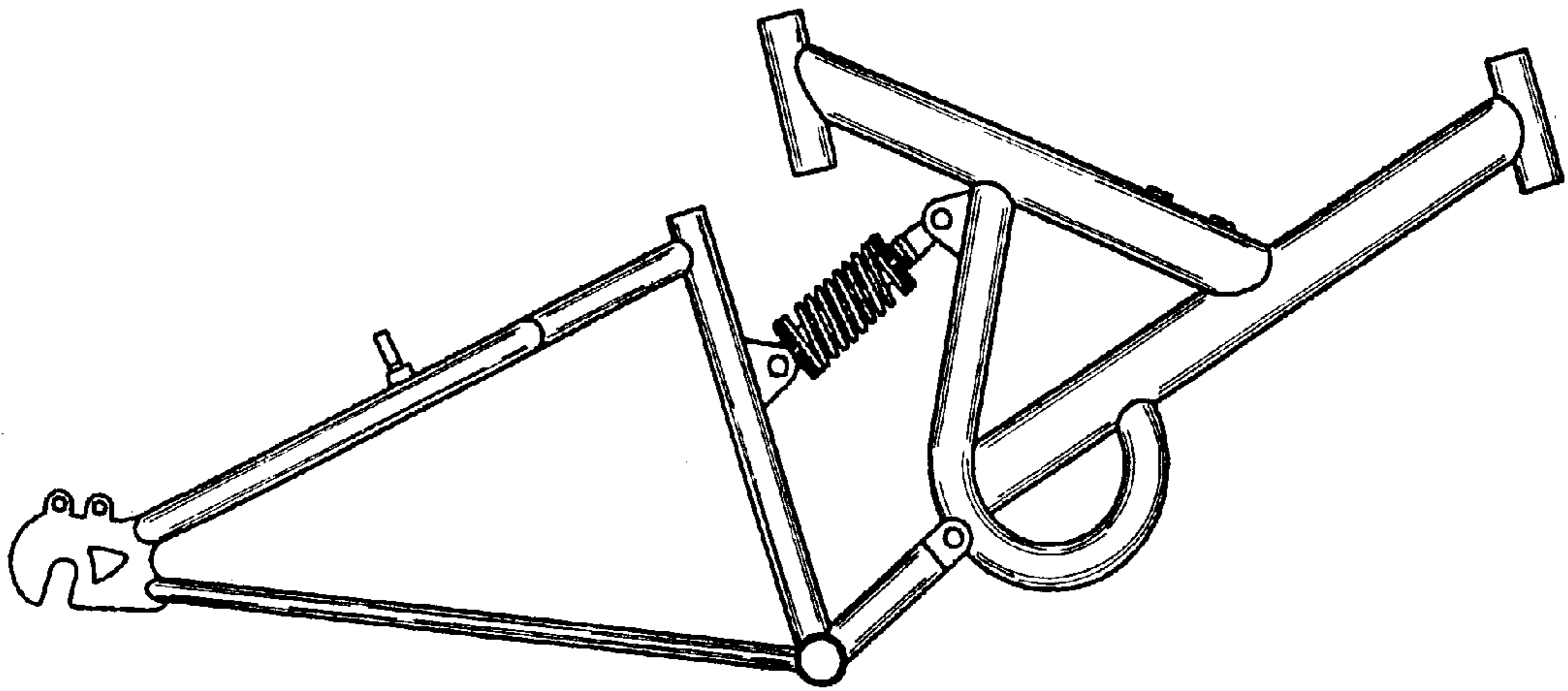


FIG.5

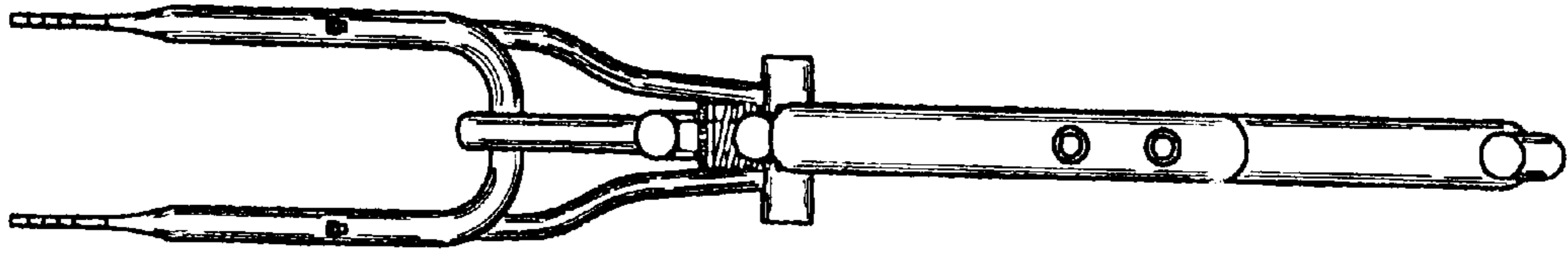


FIG. 6

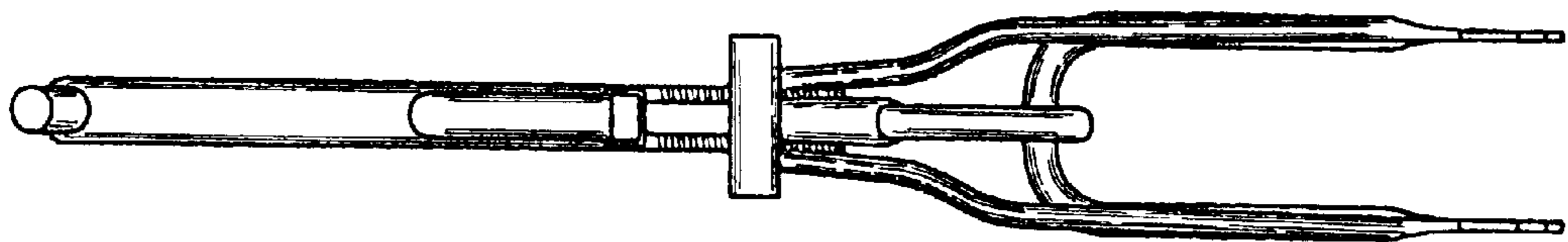


FIG. 7