



US00D410214S

United States Patent [19] Nielsen

[11] Patent Number: Des. 410,214

[45] Date of Patent: ** May 25, 1999

[54] WIND SPINNER

[75] Inventor: Robert B. Nielsen, Inverness, Ill.

[73] Assignee: Robert Nielson & Associates Ltd.,
Rolling Meadow, Ill.

[**] Term: 14 Years

[21] Appl. No.: 29/078,140

[22] Filed: Oct. 20, 1997

[51] LOC (6) Cl. 11-02

[52] U.S. Cl. D11/131

[58] Field of Search D11/131, 141;
D10/52, 59; 40/479, 480; 428/8, 542.2,
542.4; 73/170.07

[56] **References Cited**

U.S. PATENT DOCUMENTS

D. 318,252	7/1991	Bakter	D11/131	X
D. 335,401	5/1993	Nations	D11/131	X
D. 347,393	5/1994	Young	D11/141	X
D. 389,090	1/1998	Armijo	D11/141	
4,578,291	3/1986	Miner	428/8	

Primary Examiner—Dominic Simone
Attorney, Agent, or Firm—Lee, Mann, Smith, McWilliams,
Sweeney & Ohlson

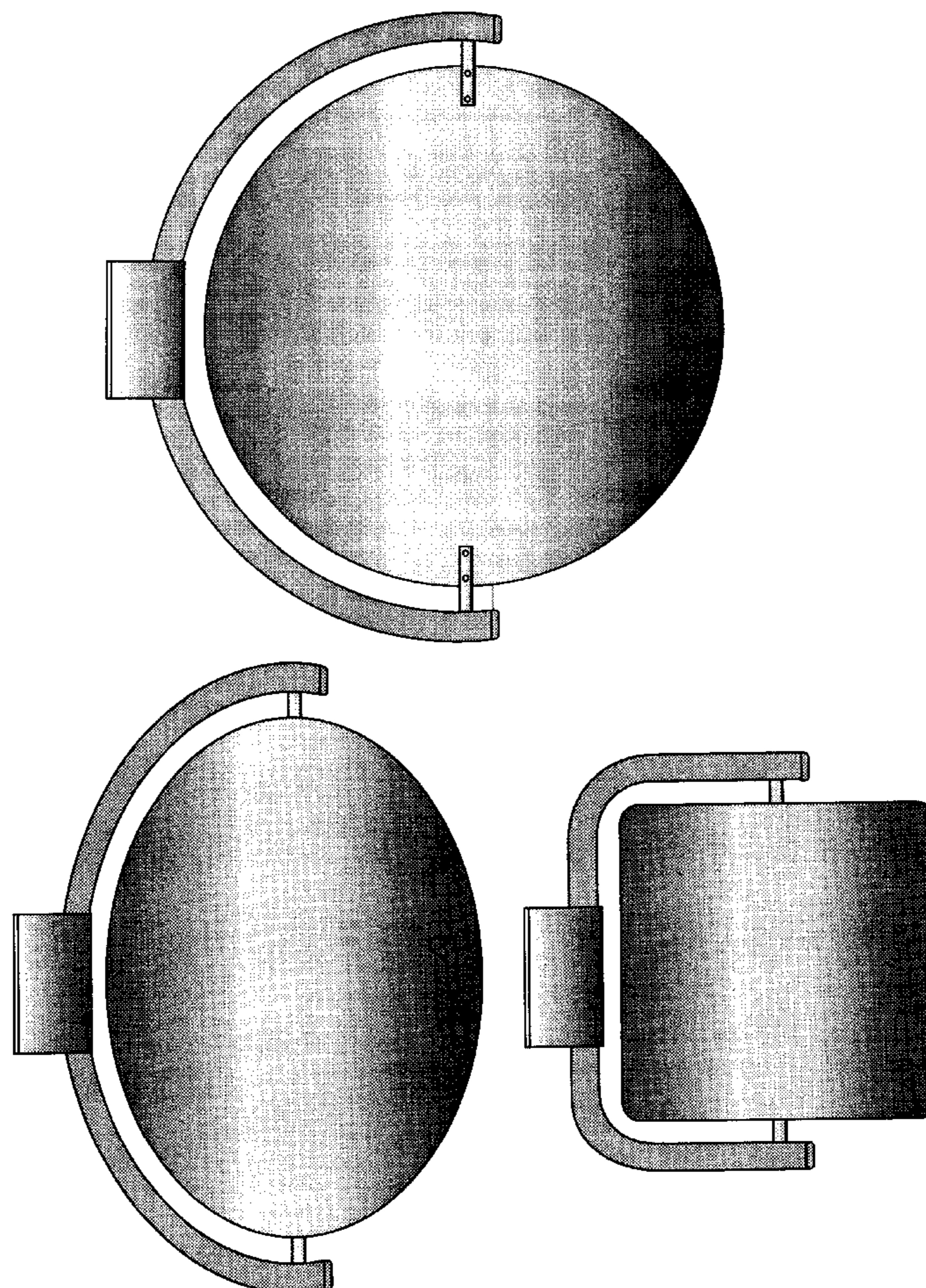
[57] **CLAIM**

The ornamental design for a wind spinner, as shown and described.

DESCRIPTION

FIG. 1 is a front elevational view of a wind spinner showing my new design, the rear being a mirror image;
FIG. 2 is a left side elevational view thereof, the right side being a mirror image;
FIG. 3 is a bottom plan view thereof;
FIG. 4 is a top plan view thereof;
FIG. 5 is a front elevational view of a second embodiment of FIG. 1, the difference residing in the change in shape, the rear being a mirror image and the other sides being essentially the same as FIGS. 2-4;
FIG. 6 is a front elevational view of a third embodiment of FIG. 1, the difference residing in the change in shape, the rear being a mirror image and the other sides being essentially the same as FIGS. 2-4; and,
FIG. 7 is a front elevational view of a fourth embodiment of FIG. 1, the difference residing in the change in shape, the rear being a mirror image and the other sides being essentially the same as FIGS. 2-4.

1 Claim, 2 Drawing Sheets



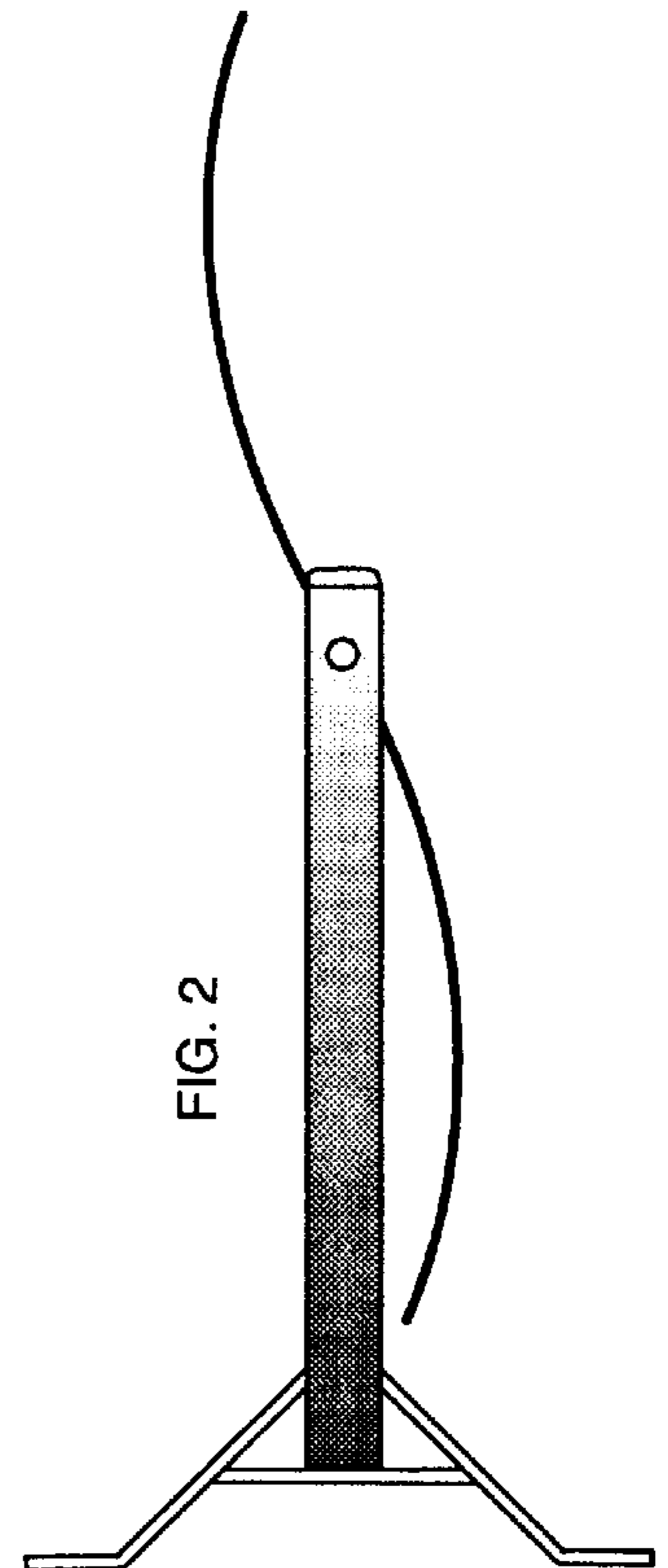
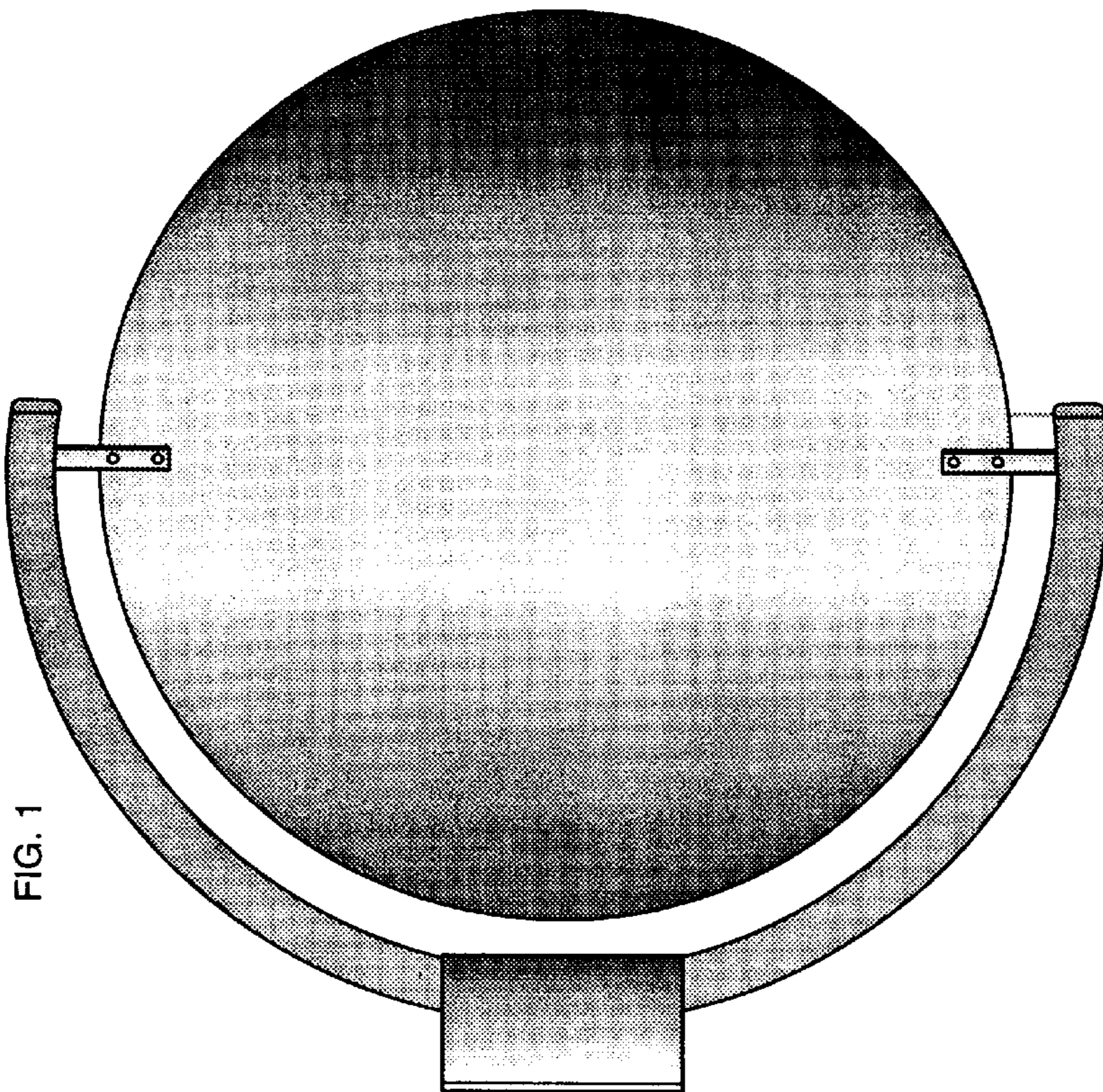
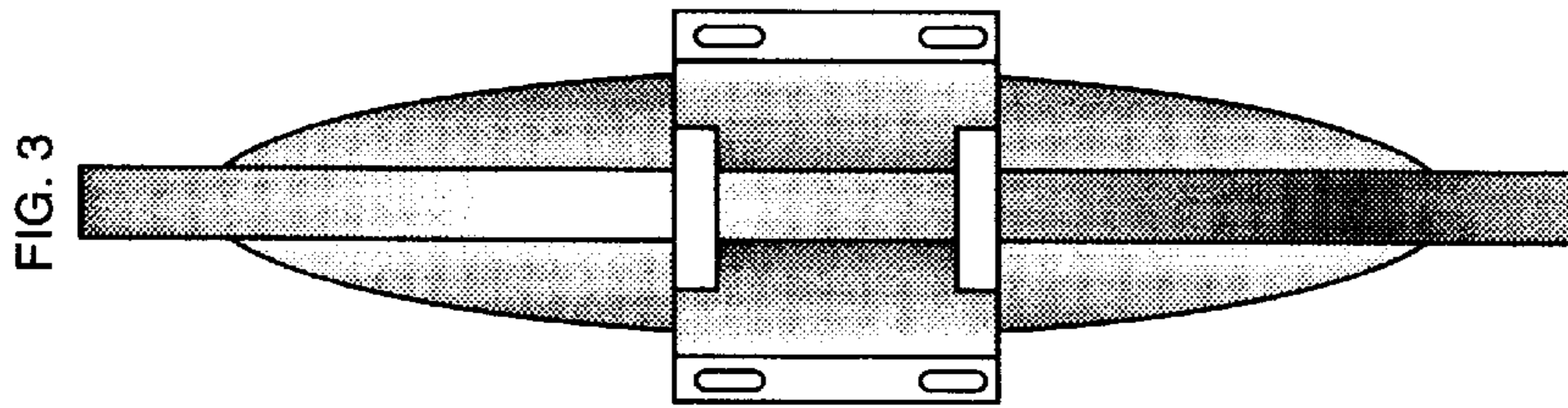
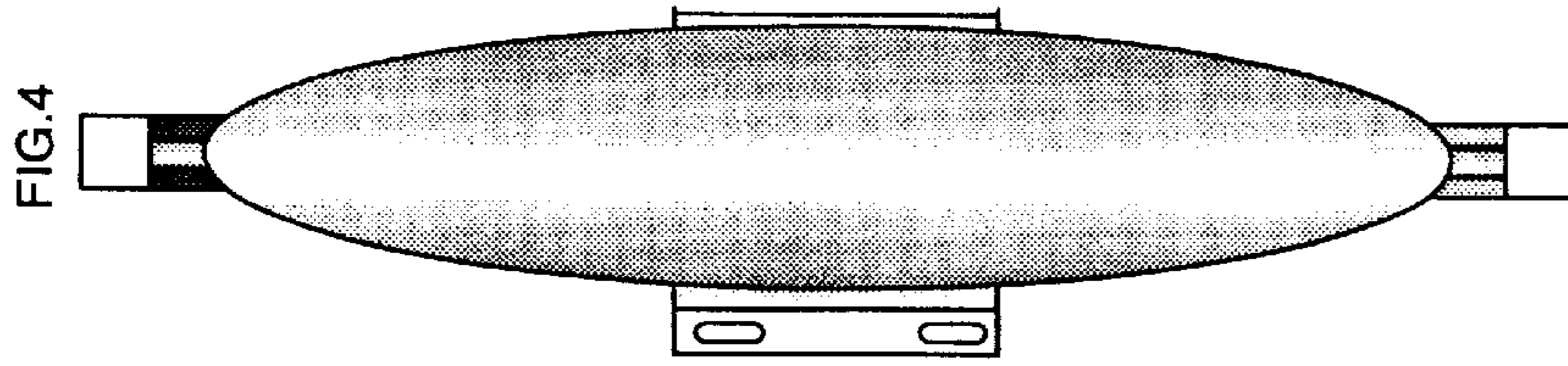


FIG. 7

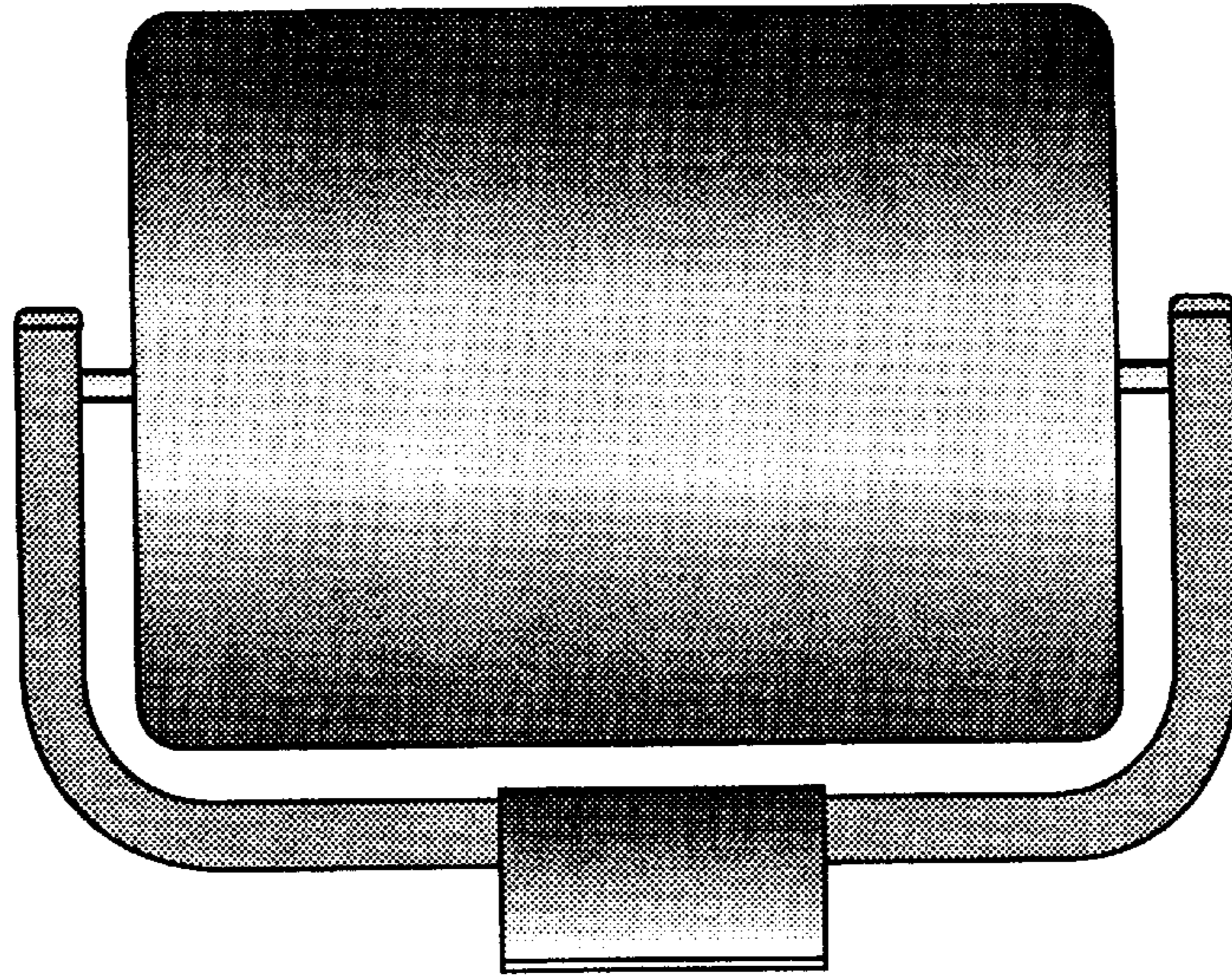


FIG. 6

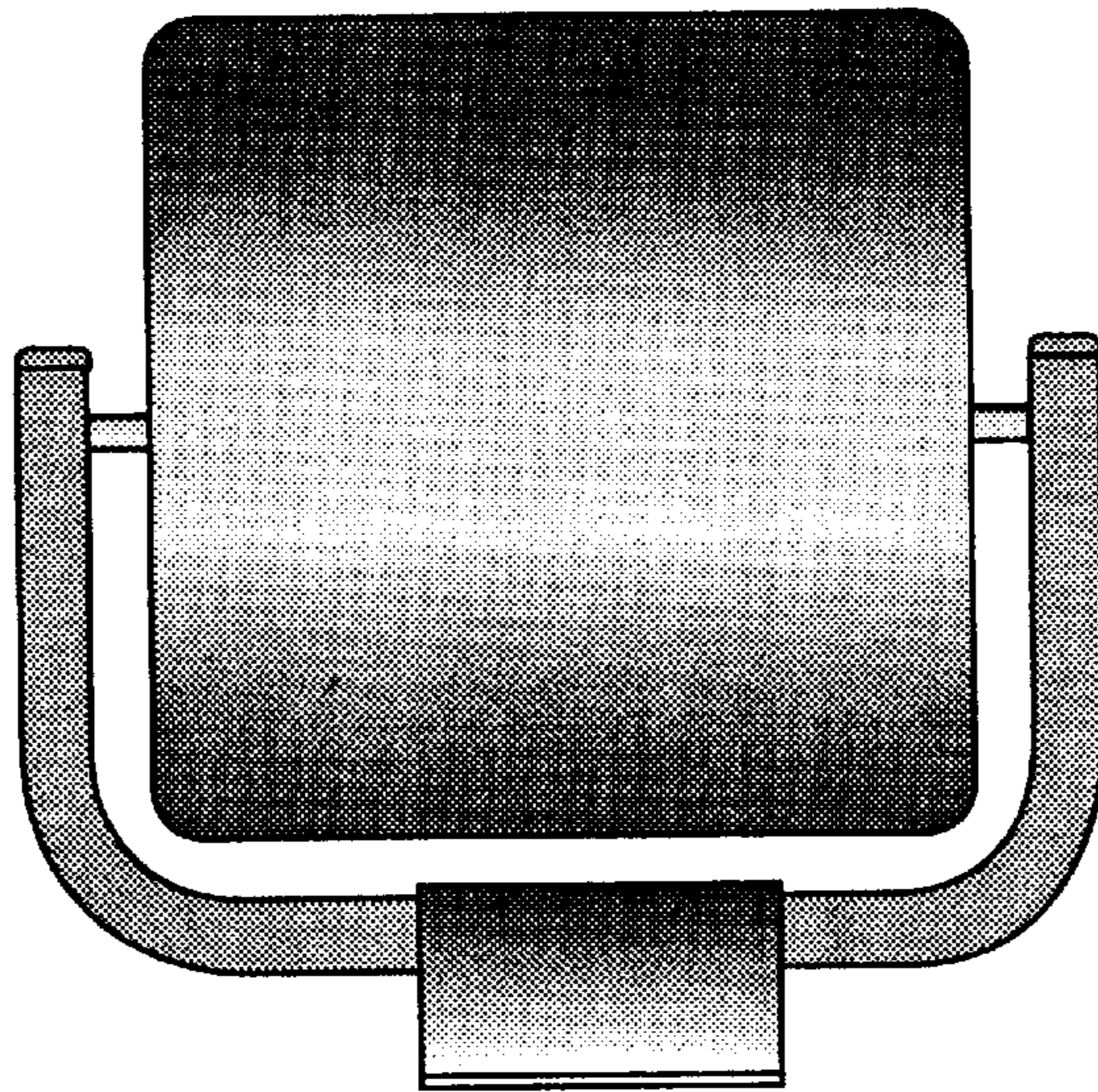


FIG. 5

