



US00D410212S

United States Patent [19]
Otero

[11] **Patent Number: Des. 410,212**

[45] **Date of Patent: ** May 25, 1999**

[54] **COMBINED RING AND SPRING CLIP**

3,154,056 10/1964 Strange D11/27
5,398,534 3/1995 Rochez 63/1.12

[76] Inventor: **Carmelo Otero**, 254 Hamilton Ave.,
Stratford, Conn. 06497

FOREIGN PATENT DOCUMENTS

[**] Term: **14 Years**

3784 2/1910 United Kingdom D11/34

[21] Appl. No.: **29/070,100**

OTHER PUBLICATIONS

[22] Filed: **Apr. 29, 1997**

Premium Practice and Business Promot.; Leavens Mfg. Co.
advertisement for Custon Premiums #5; p. 104; D11-30,
Jan. 1951.

[51] **LOC (6) Cl.** **11-01**

[52] **U.S. Cl.** **D11/26**

[58] **Field of Search** D11/26-39; 63/3,
63/1.13, 15.1-15.3, 15.45, 15, 20, 1.12;
132/331; 224/217

Primary Examiner—Cathy Anne MacCormac

[57] **CLAIM**

The ornamental design for a combined ring and spring clip,
as shown.

[56] **References Cited**

DESCRIPTION

U.S. PATENT DOCUMENTS

D. 21,570	5/1892	Verpilier	D11/30
D. 163,425	5/1951	Smipson	D11/30
D. 205,899	10/1966	Zimmerman	63/1.12
D. 259,547	6/1981	Texidor	D11/35
D. 267,483	1/1983	Wefler	D11/30
272,985	2/1883	Stone	63/1.12
D. 326,241	5/1992	Kroh	63/1.12
1,143,857	6/1915	Patton	D11/27
2,072,851	3/1937	Bailey	224/217
2,109,609	3/1938	Aull	224/217
2,484,313	10/1949	Rennecamp	132/331

FIG. 1 is a front elevational view of a combined ring and
spring clip showing my new design;
FIG. 2 is a rear elevational view thereof;
FIG. 3 is a left side elevational view thereof;
FIG. 4 is a right side elevational view thereof;
FIG. 5 is a top plan view thereof;
FIG. 6 is a bottom plan view thereof; and,
FIG. 7 is a front, top, right side perspective view thereof.

1 Claim, 4 Drawing Sheets

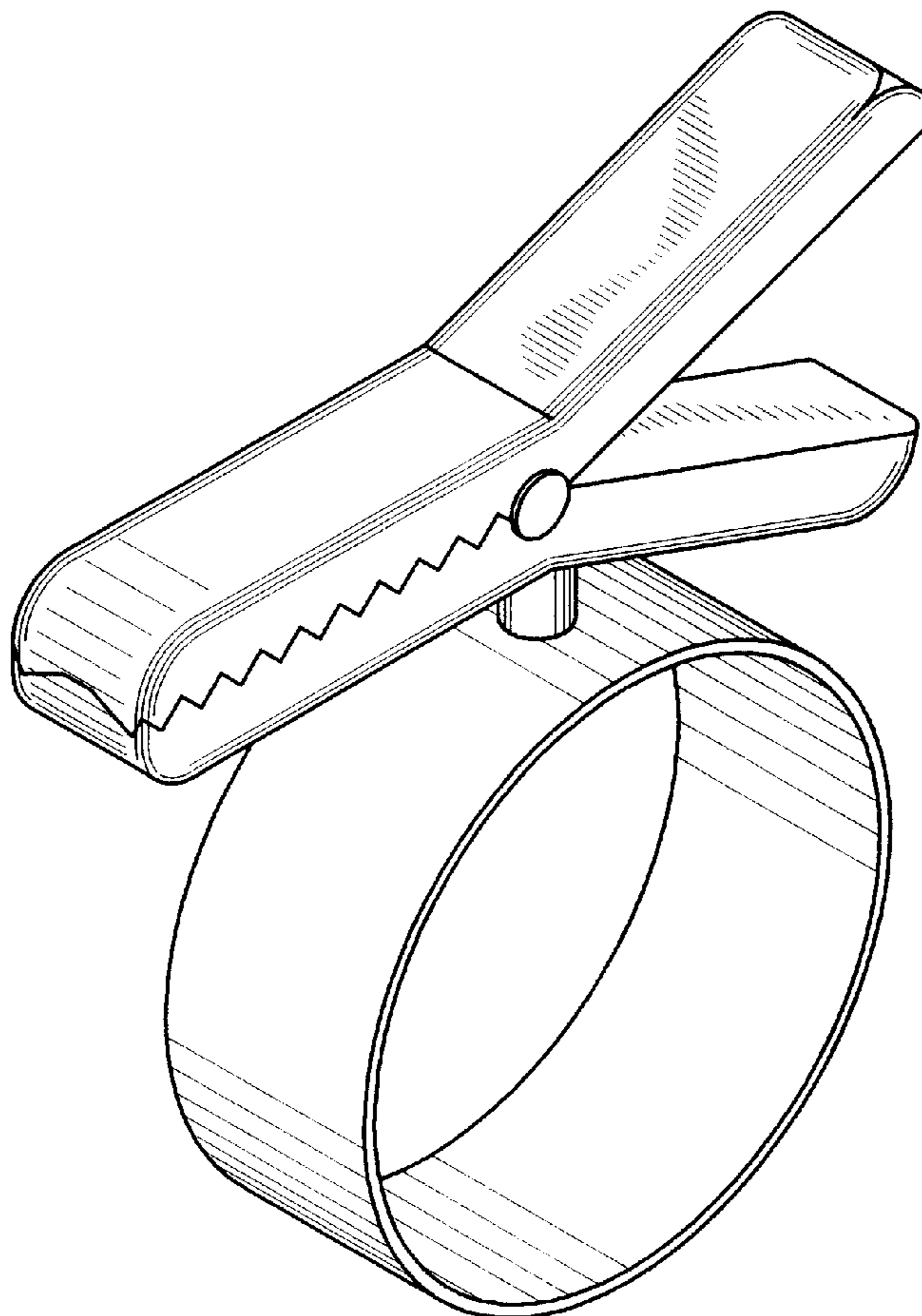


FIG. 1

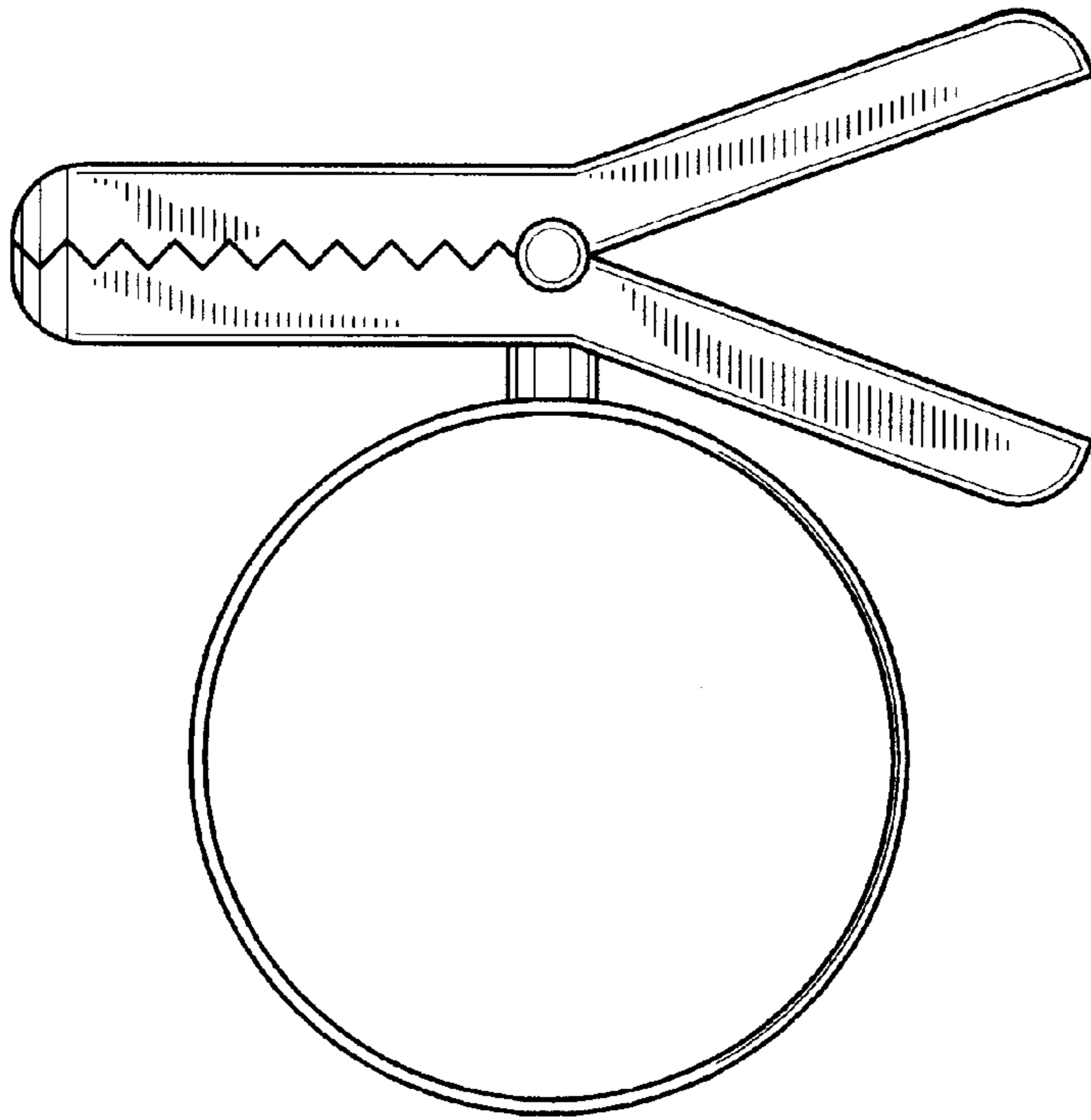


FIG. 2

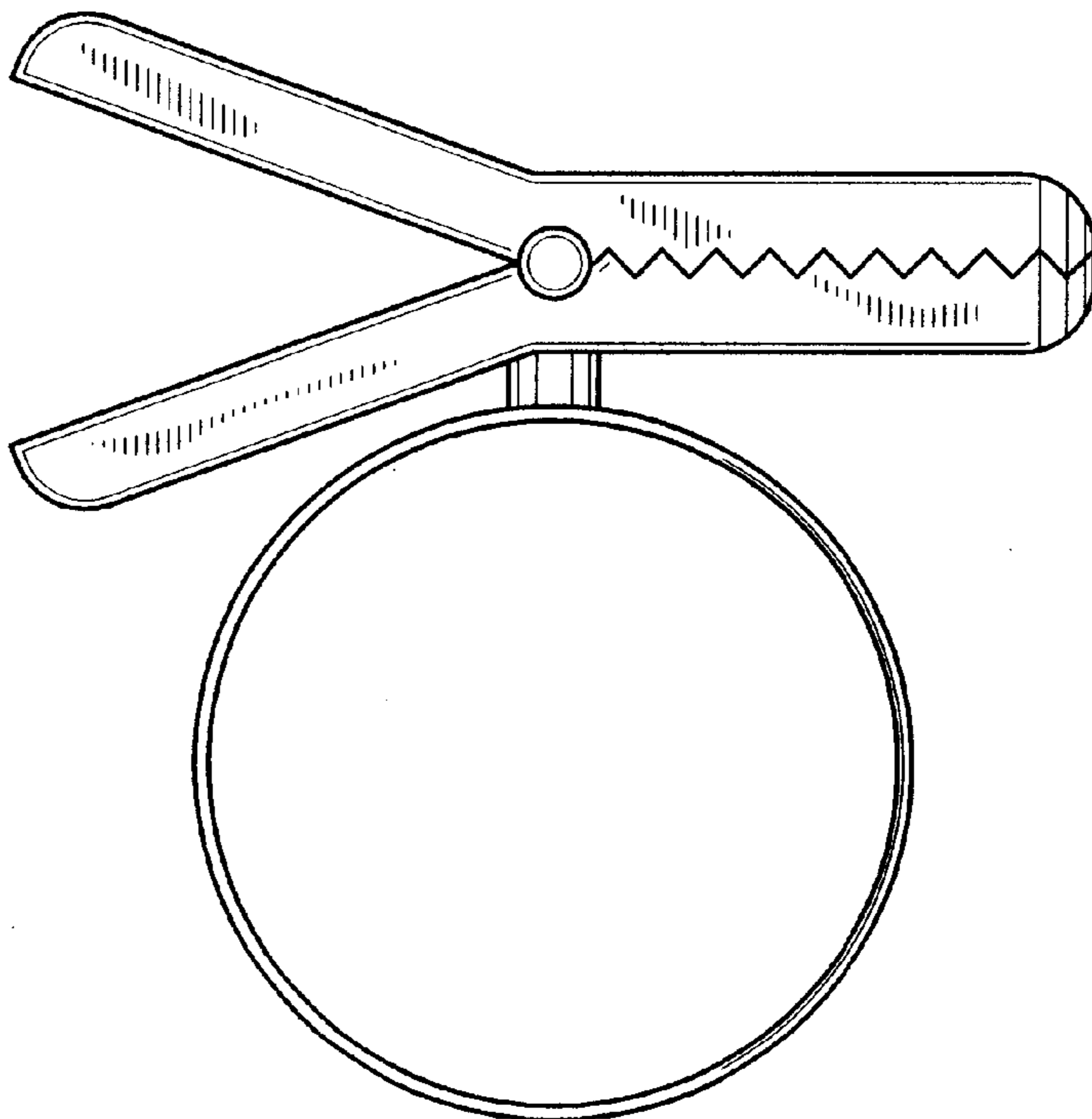


FIG. 3

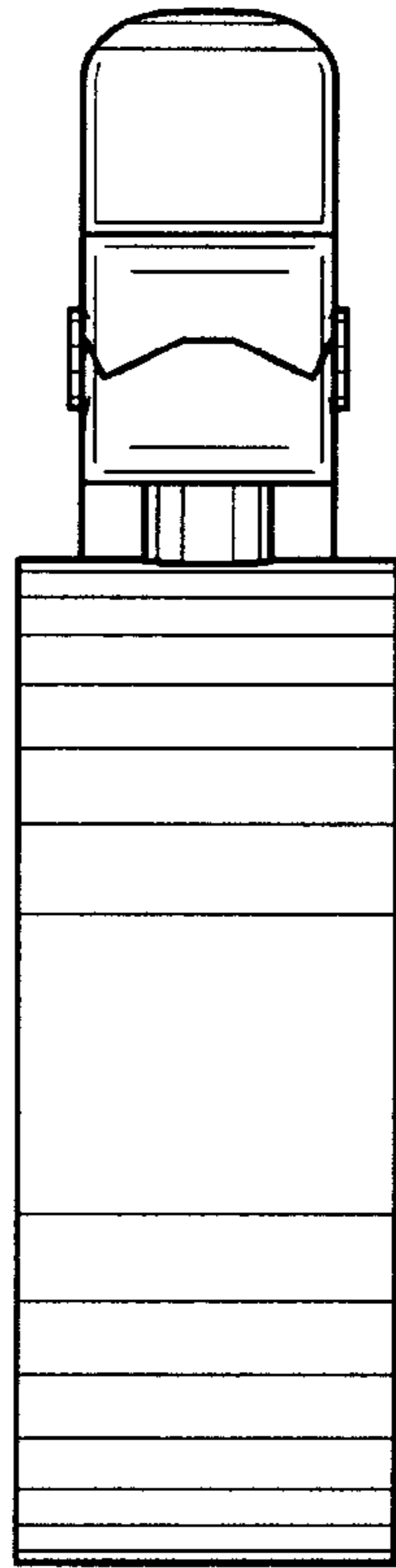


FIG. 4

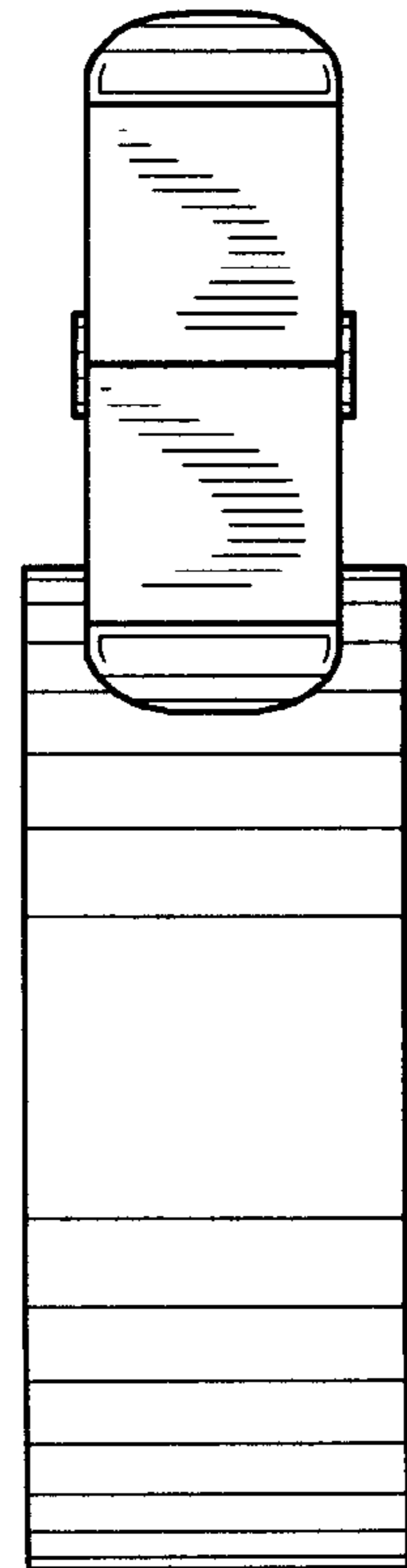


FIG. 5

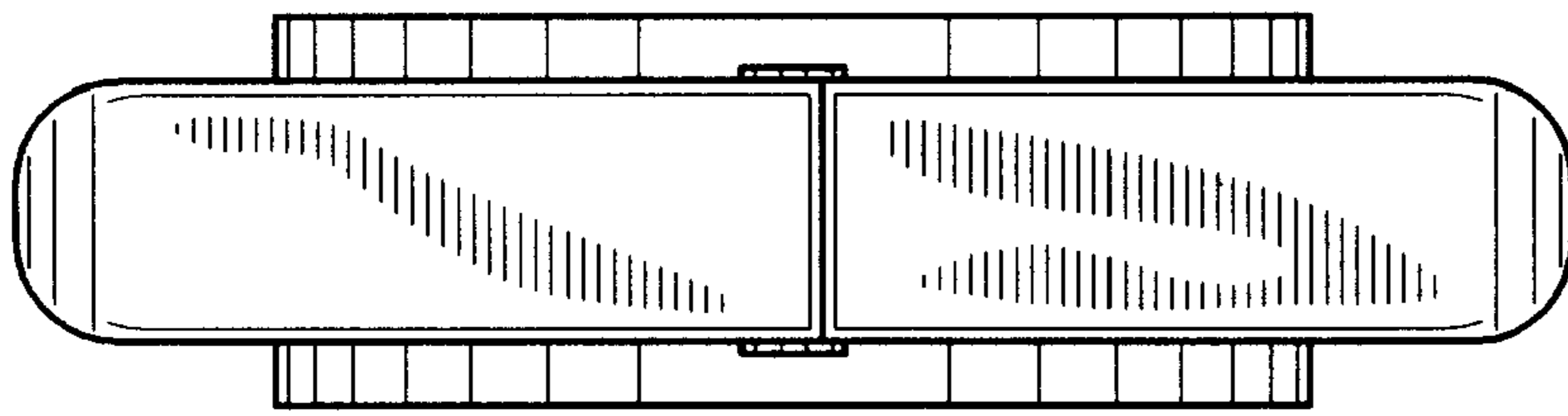


FIG. 6

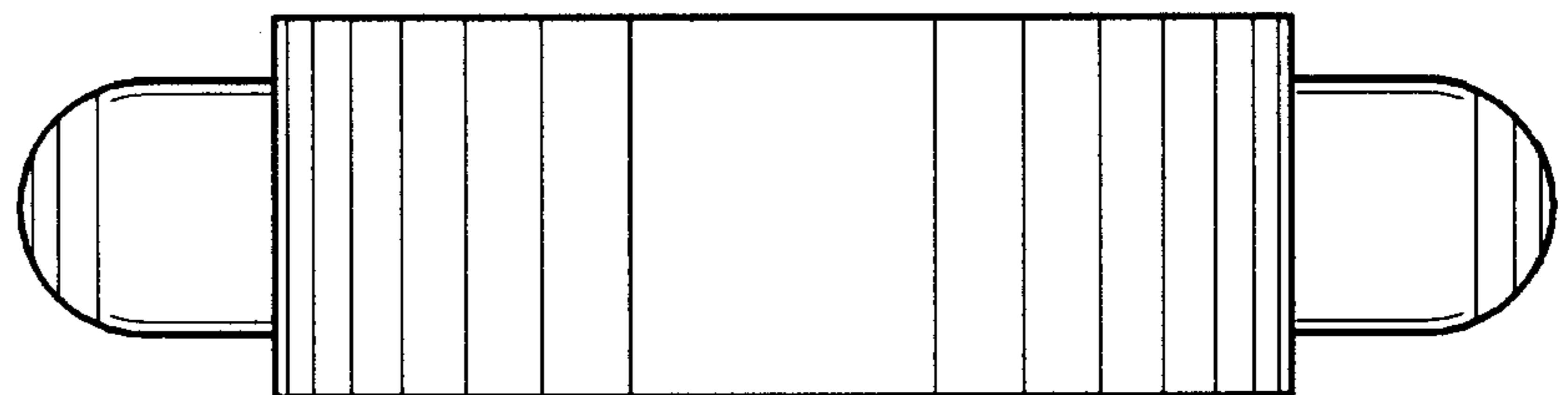


FIG. 7

