



US00D410211S

United States Patent [19] Murano

[11] **Patent Number: Des. 410,211**

[45] **Date of Patent: ** May 25, 1999**

[54] **AUDIBLE SIGNAL FOR ALARM UNITS**

D. 378,746 4/1997 Imahori D10/116
D. 389,765 1/1998 Imahori D10/116
D. 401,179 11/1998 Sone et al. D10/116

[75] Inventor: **Yoshio Murano**, Fujiyoshida, Japan

[73] Assignee: **Citizen Electronics Co., Ltd.**,
Yamanashi-ken, Japan

Primary Examiner—Marcus A. Jackson
Attorney, Agent, or Firm—Browdy and Neimark

[**] Term: **14 Years**

[57] **CLAIM**

[21] Appl. No.: **29/094,615**

The ornamental design for an audible signal for alarm units,
as shown and described.

[22] Filed: **Oct. 6, 1998**

DESCRIPTION

[51] **LOC (6) Cl.** **10-05**

[52] **U.S. Cl.** **D10/116**

[58] **Field of Search** D10/104, 106,
D10/116, 121; D13/152, 156; 340/384.1,
384.3, 384.7, 392.1, 388.1, 390.1, 391.1,
392.2, 407.1

FIG. 1 is a perspective view of my an audible signal for
alarm units.

FIG. 2 is a front elevation view thereof.

FIG. 3 is a plan view thereof.

FIG. 4 is a bottom view plan thereof.

FIG. 5 is a right side elevation view thereof.

FIG. 6 is a left side elevation view thereof; and,

FIG. 7 is a rear elevation view thereof.

[56] **References Cited**

U.S. PATENT DOCUMENTS

D. 373,546 9/1996 Imahori D10/116

1 Claim, 3 Drawing Sheets

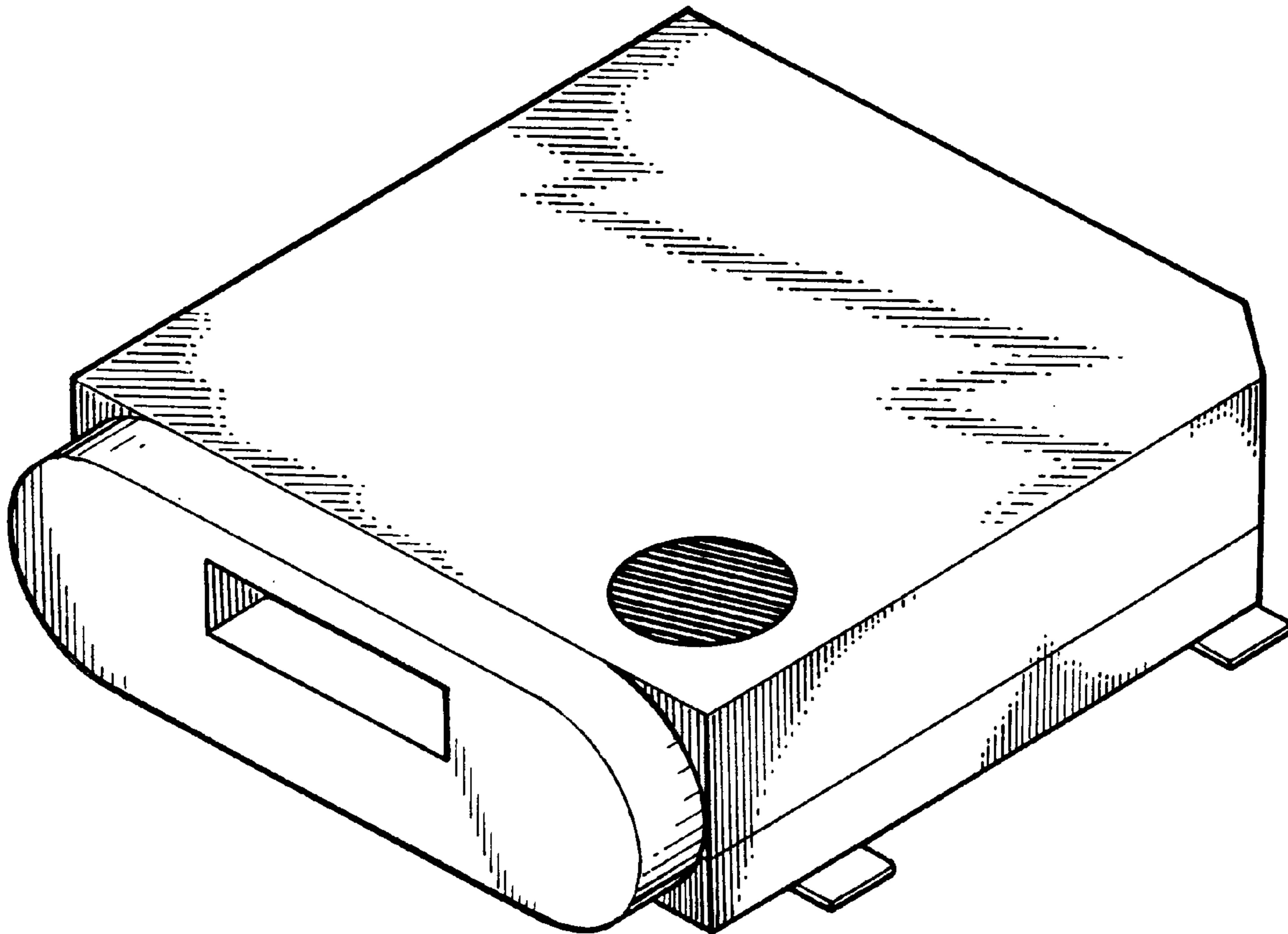


Fig. 1

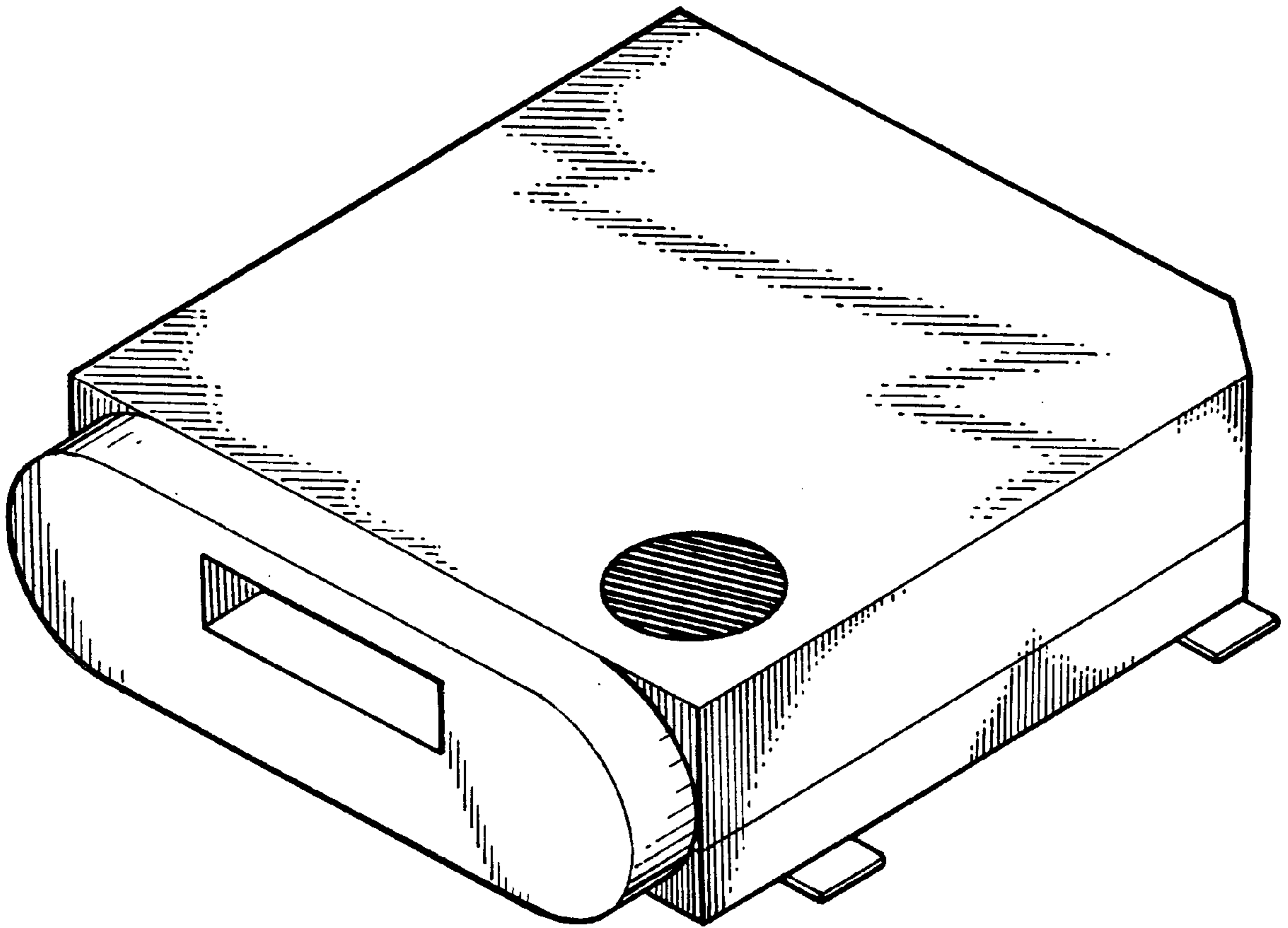


Fig. 3

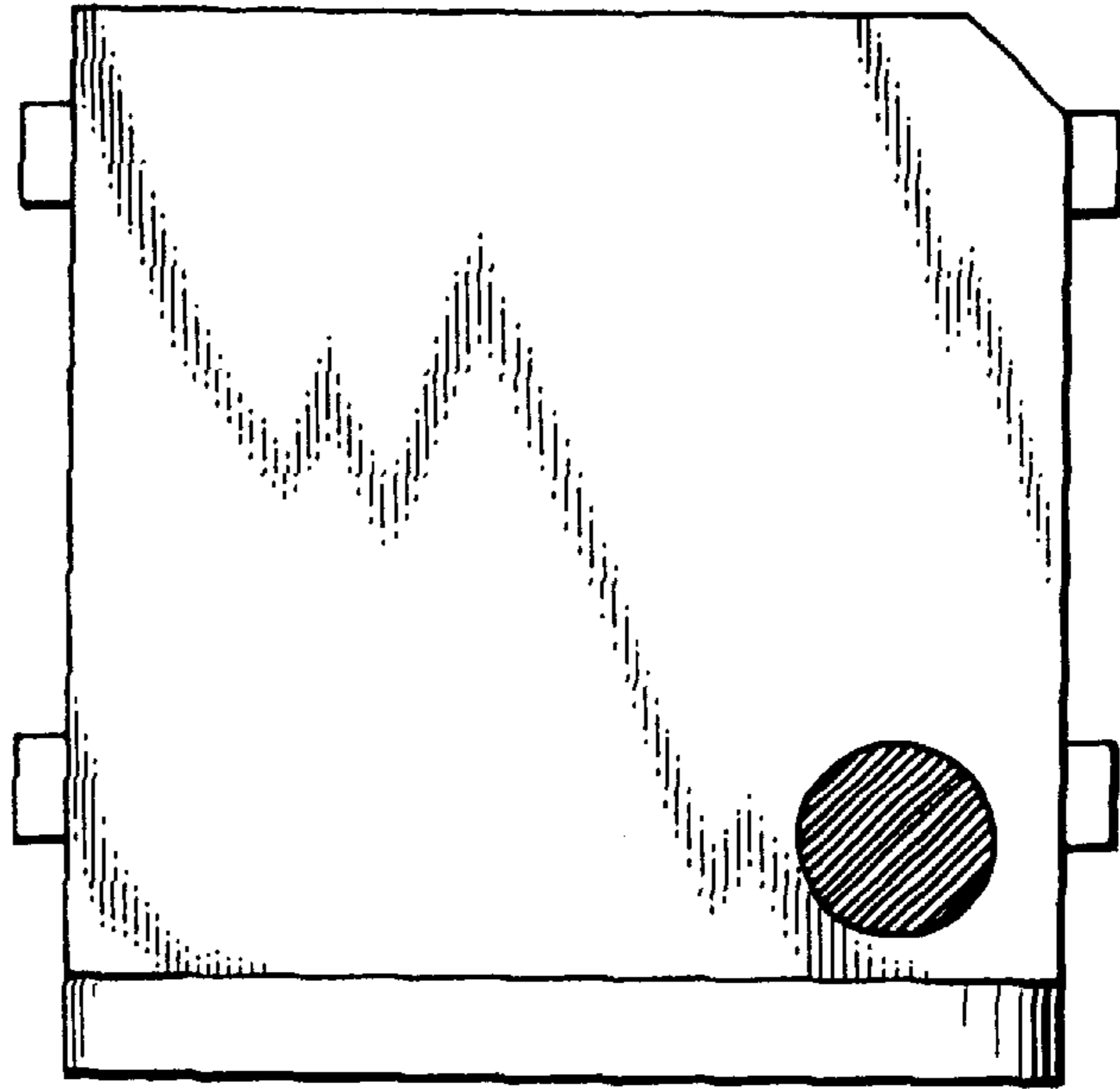


Fig. 2



Fig. 4

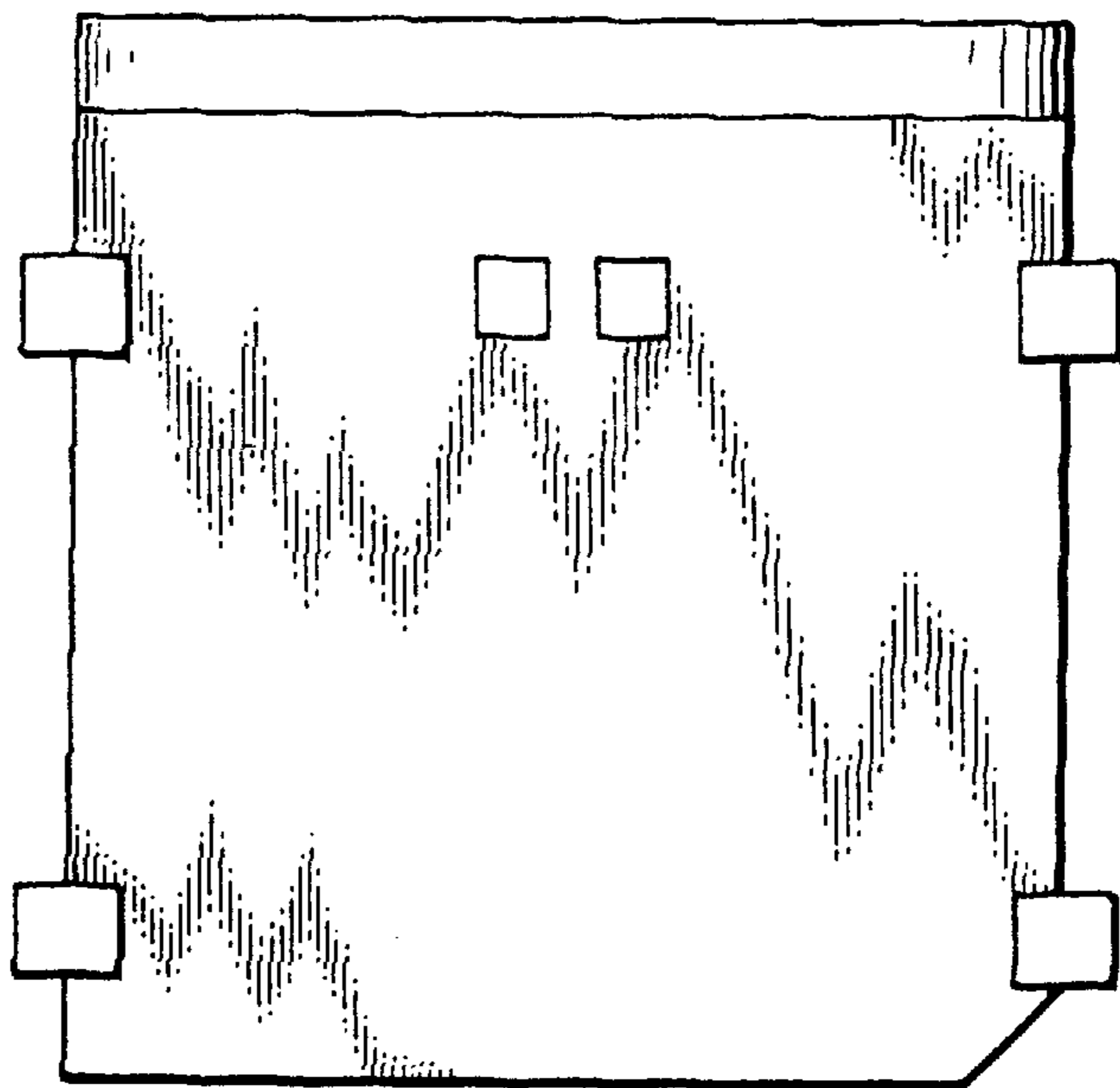


Fig. 5

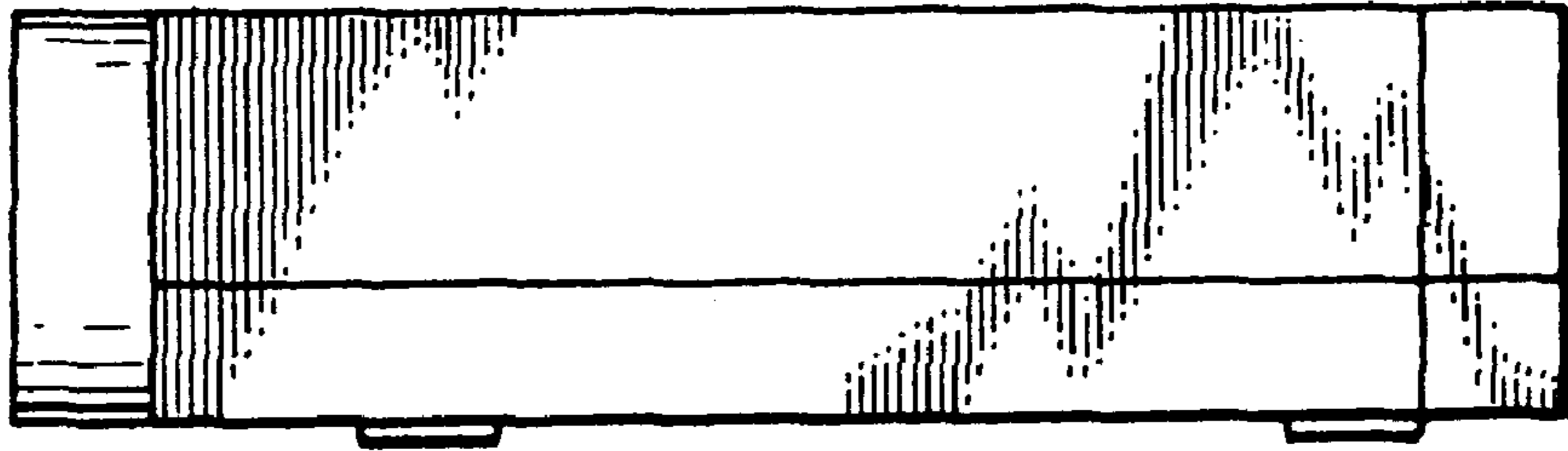


Fig. 6

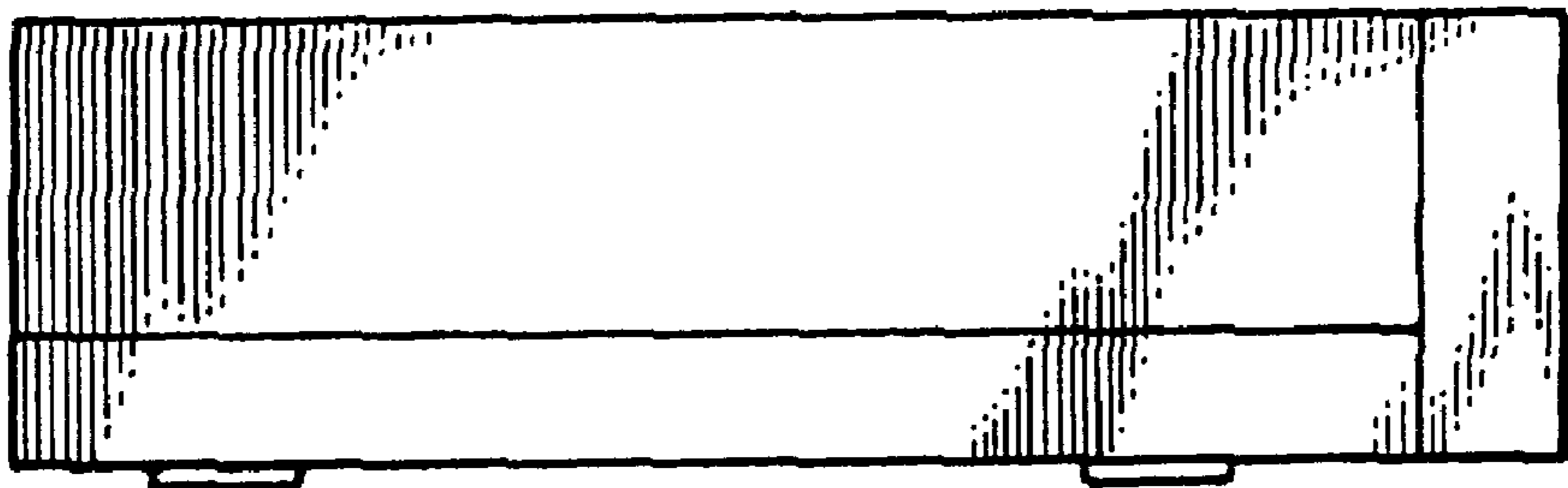


Fig. 7

