



US00D410210S

**United States Patent** [19]  
**Akasaki**

[11] **Patent Number: Des. 410,210**

[45] **Date of Patent: \*\* May 25, 1999**

[54] **AUDIBLE SIGNAL FOR ALARM UNITS**

D. 378,746 4/1997 Imahori ..... D10/116  
D. 389,765 1/1998 Imahori ..... D10/116  
D. 401,179 11/1998 Sone et al. .... D10/116

[75] Inventor: **Tetsuya Akasaki**, Fujiyoshida, Japan

[73] Assignee: **Citizen Electronics Co., Ltd.**,  
Yamanashi-ken, Japan

*Primary Examiner*—Marcus A. Jackson  
*Attorney, Agent, or Firm*—Browdy and Neimark

[\*\*] Term: **14 Years**

[57] **CLAIM**

[21] Appl. No.: **29/094,017**

The ornamental design for an audible signal for alarm units,  
as shown and described.

[22] Filed: **Sep. 24, 1998**

[30] **Foreign Application Priority Data**

**DESCRIPTION**

Mar. 25, 1998 [JP] Japan ..... 10-8299

FIG. 1 is a perspective view of my an audible signal for  
alarm units.

[51] **LOC (6) Cl.** ..... **10-05**

FIG. 2 is a front elevation view thereof.

[52] **U.S. Cl.** ..... **D10/116**

FIG. 3 is a plan view thereof.

[58] **Field of Search** ..... D10/104, 106,  
D10/116, 121; D13/152, 156; 340/384.1,  
384.3, 384.7, 392.1, 388.1, 390.1, 391.1,  
392.2, 407.1

FIG. 4 is a bottom view plan thereof.

FIG. 5 is a right side elevation view thereof.

FIG. 6 is a left side elevation view thereof; and,

FIG. 7 is a rear elevation view thereof.

[56] **References Cited**

**U.S. PATENT DOCUMENTS**

D. 373,546 9/1996 Imahori ..... D10/116

**1 Claim, 3 Drawing Sheets**

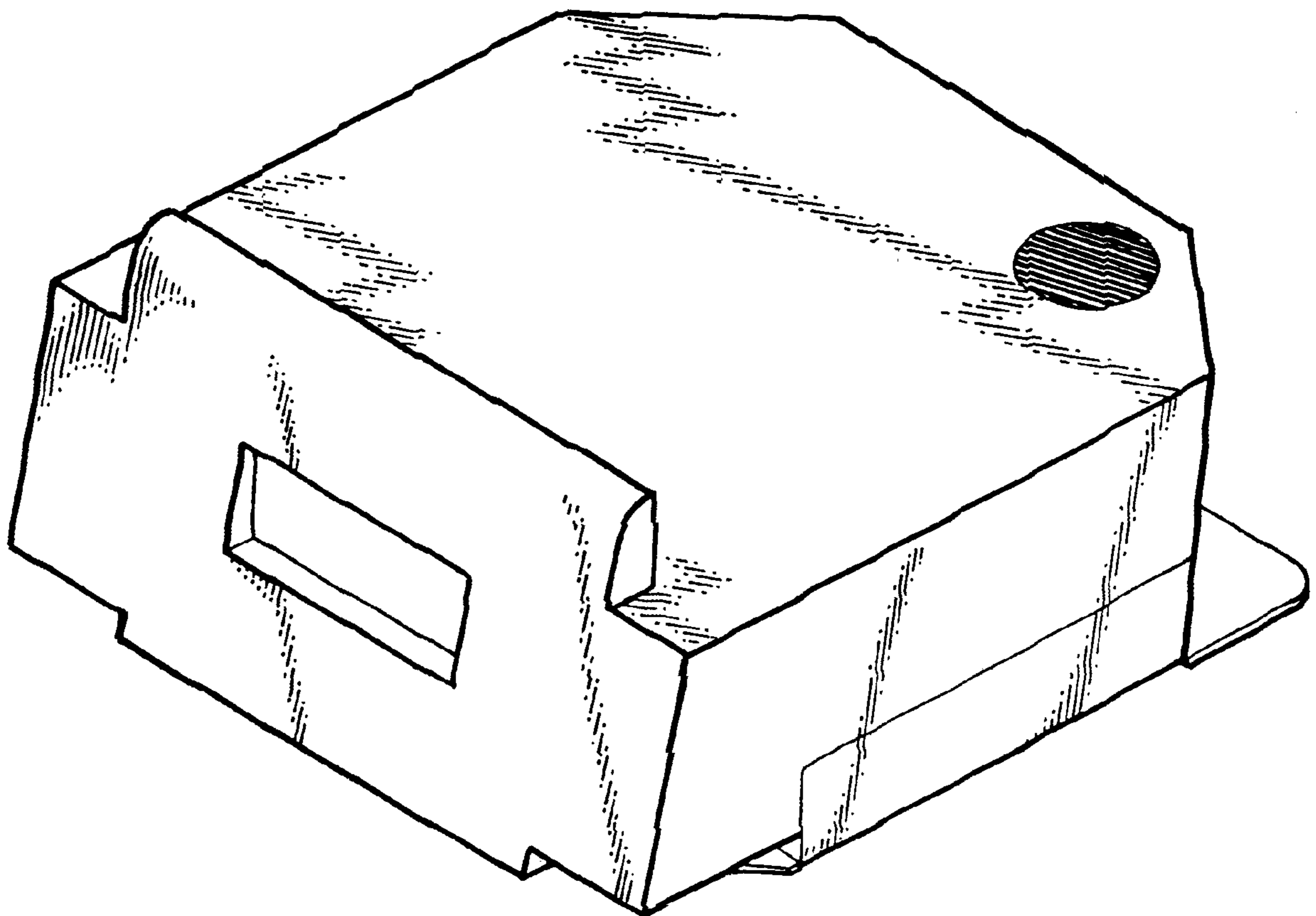


Fig. 1

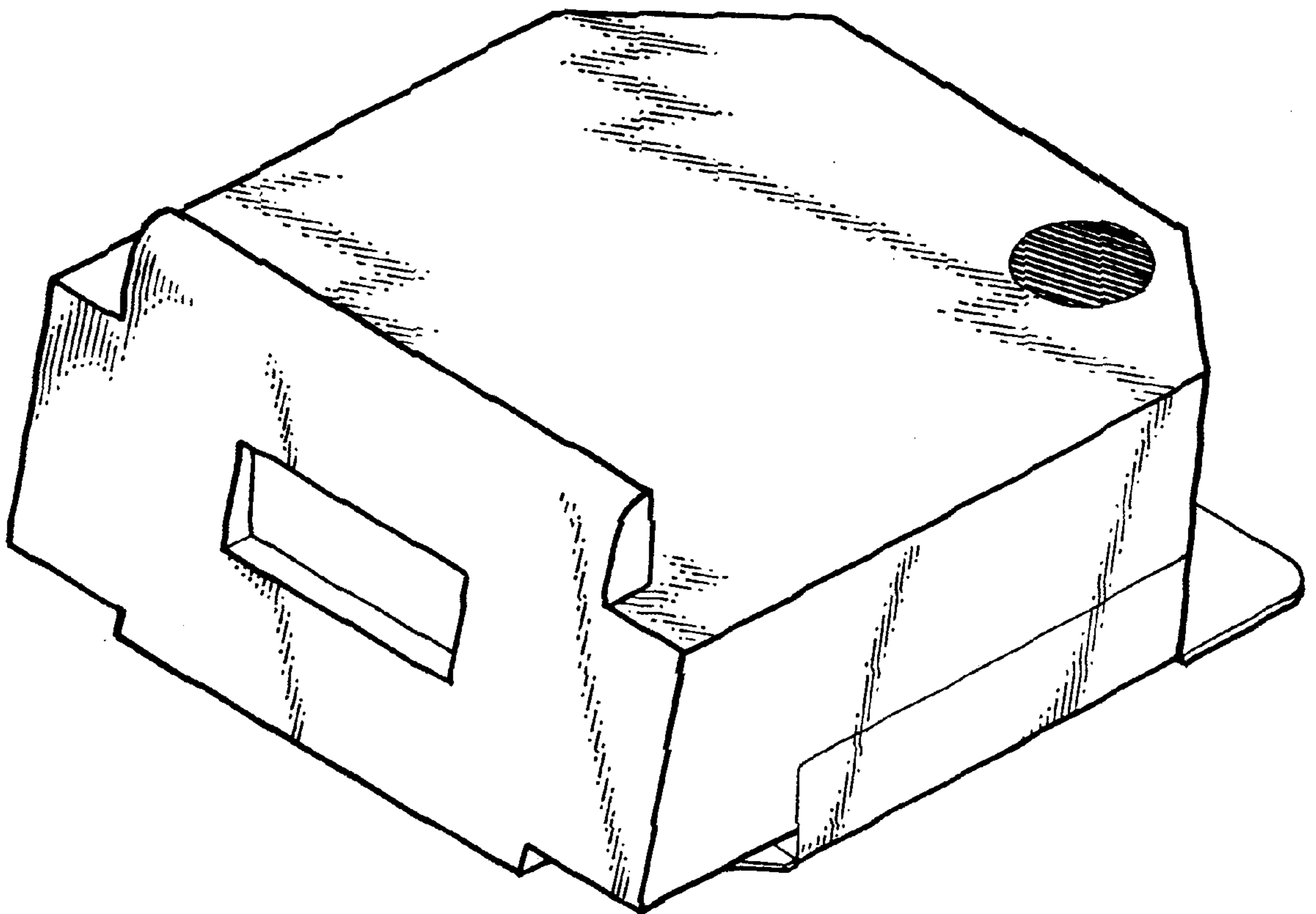


Fig. 3

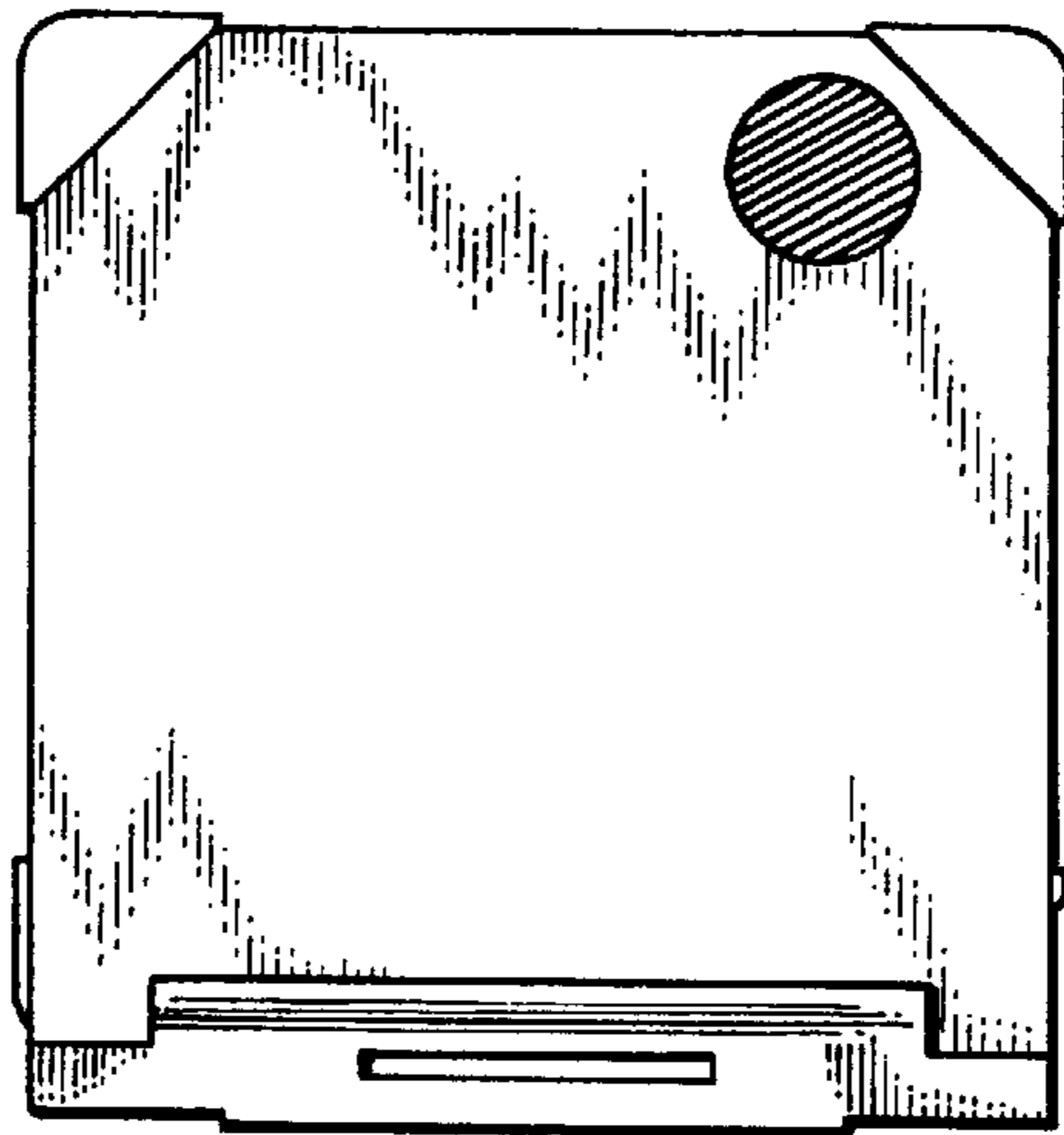


Fig. 2

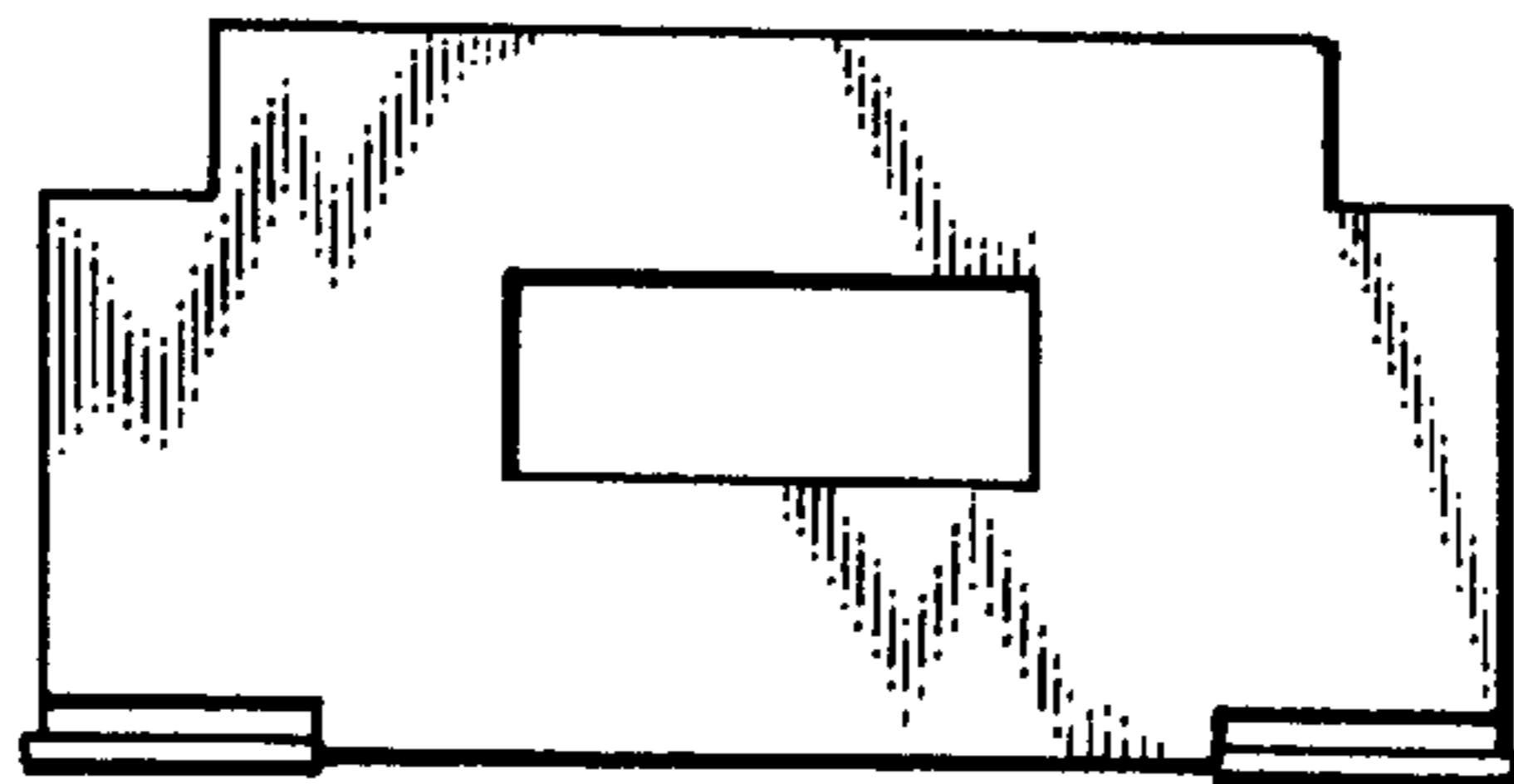


Fig. 4

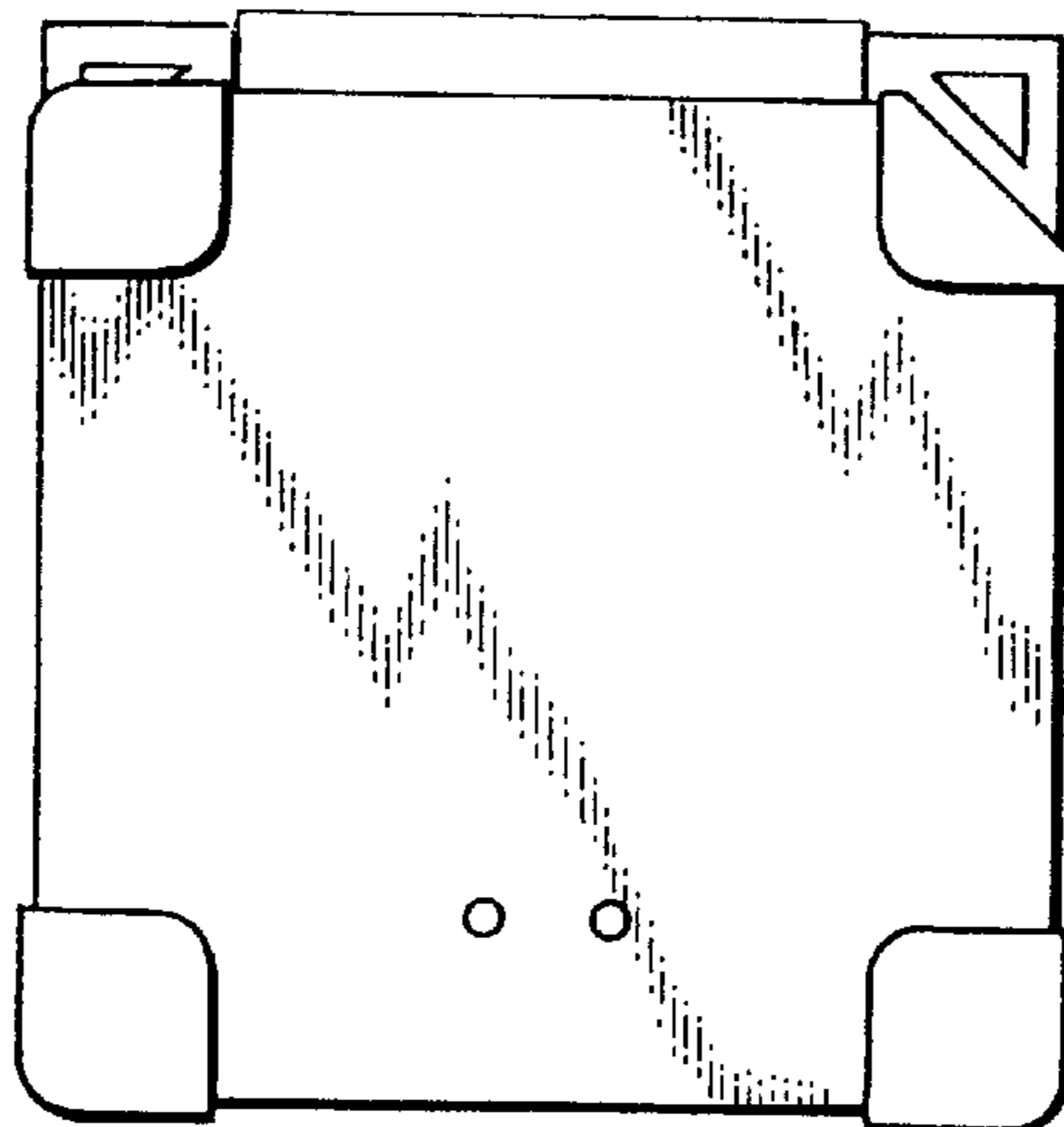


Fig. 7

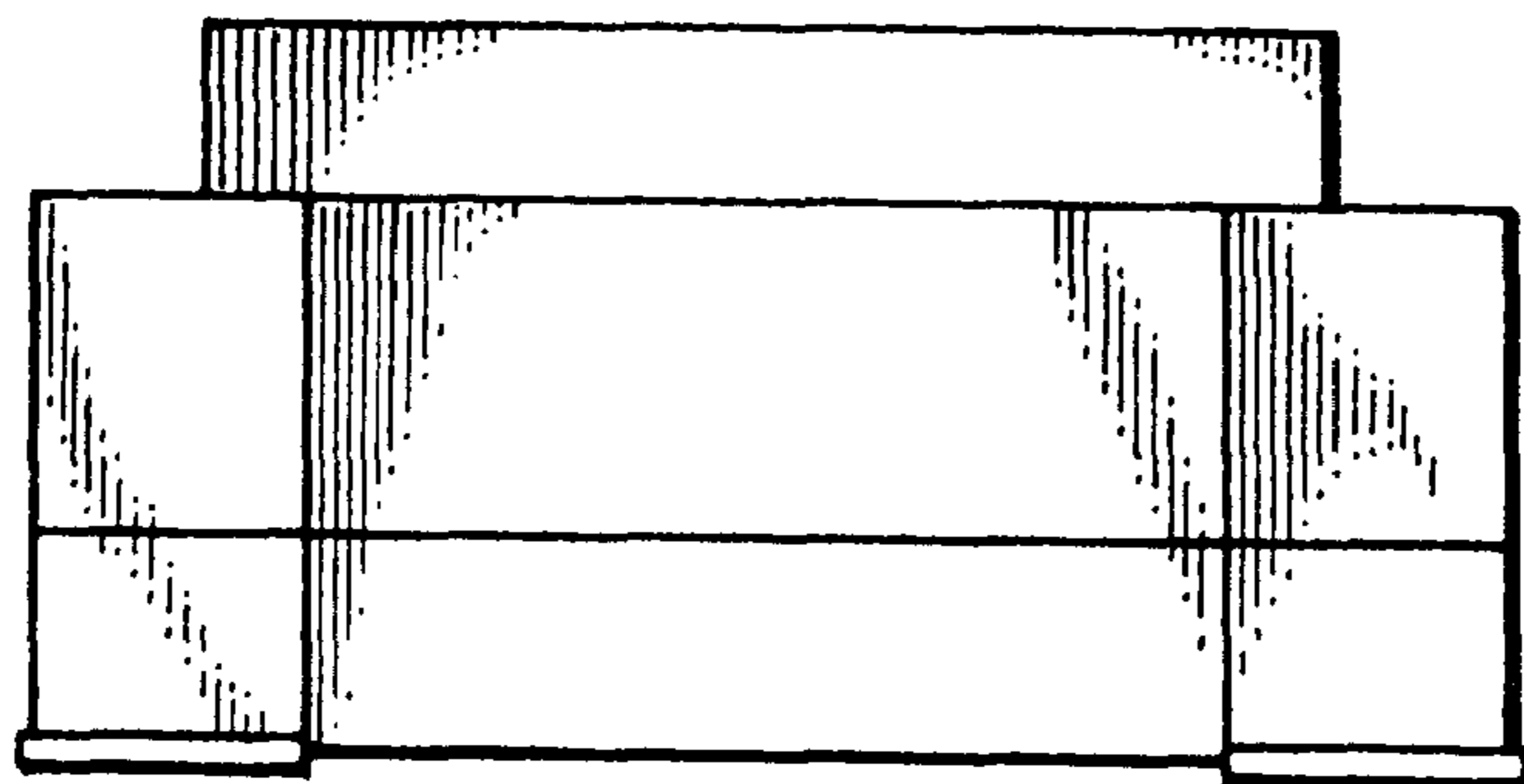


Fig. 6

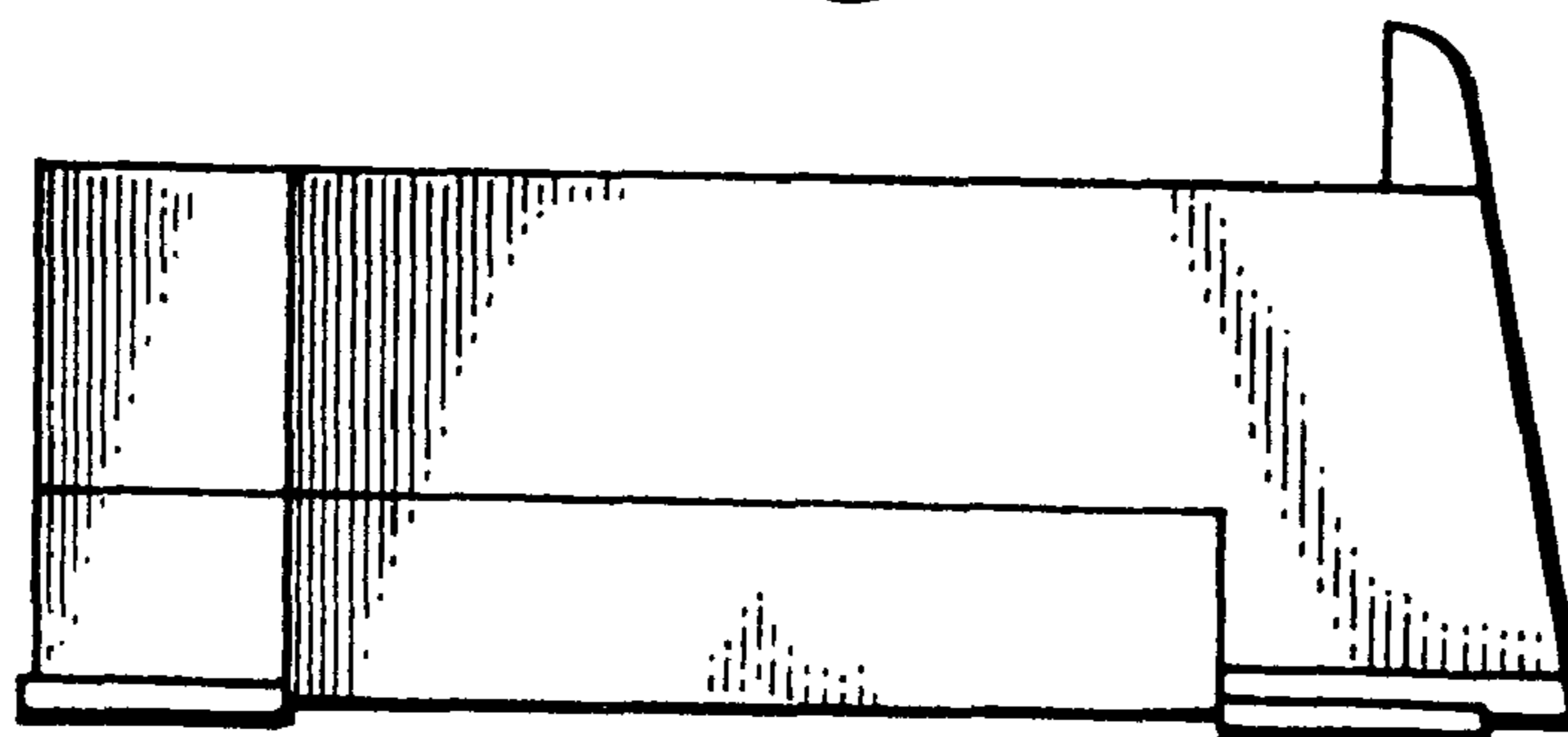


Fig. 5

