



US00D410206S

United States Patent [19]
Slater

[11] **Patent Number: Des. 410,206**

[45] **Date of Patent: ** May 25, 1999**

[54] **COLLAR-MOUNTED STIMULUS TRAINER**

[75] Inventor: **Robert E. Slater**, Tucson, Ariz.

[73] Assignee: **Tri-Tronics, Inc.**, Tucson, Ark.

[**] Term: **14 Years**

[21] Appl. No.: **29/096,112**

[22] Filed: **Nov. 5, 1998**

[51] **LOC (6) Cl. 10-05**

[52] **U.S. Cl. D10/104; D30/152**

[58] **Field of Search D30/152-153;**
119/770, 719, 720, 792-793, 856, 859,
863, 821, 865, 860, 78, 654; 340/384.1-384.4

[56] **References Cited**

U.S. PATENT DOCUMENTS

D. 298,872	12/1988	Cassel et al.	D30/199
D. 330,173	10/1992	Juliana et al.	D10/106
D. 376,553	12/1996	Heun	D10/104
D. 380,692	7/1997	Heun	D10/104
D. 400,458	11/1998	Titus et al.	D10/104
4,335,682	6/1982	Gonda et al.	119/719
4,794,402	12/1988	Gonda et al.	119/720
4,802,482	2/1989	Gonda et al.	119/720
5,054,428	10/1991	Farkus	119/720
5,099,797	3/1992	Gonda	119/720

5,161,485	11/1992	McDade	1119/859
5,353,744	10/1994	Custer	119/719
5,605,116	2/1997	Kim et al.	119/720
5,666,908	9/1997	So	119/720

OTHER PUBLICATIONS

Taylor Gifts Catalog; p. 16; #8079 Pet-Agree ultrasonic trainer collar, Aug. 1990.

Primary Examiner—Cathy Anne MacCormac
Attorney, Agent, or Firm—Cahill, Sutton & Thomas P.L.C.

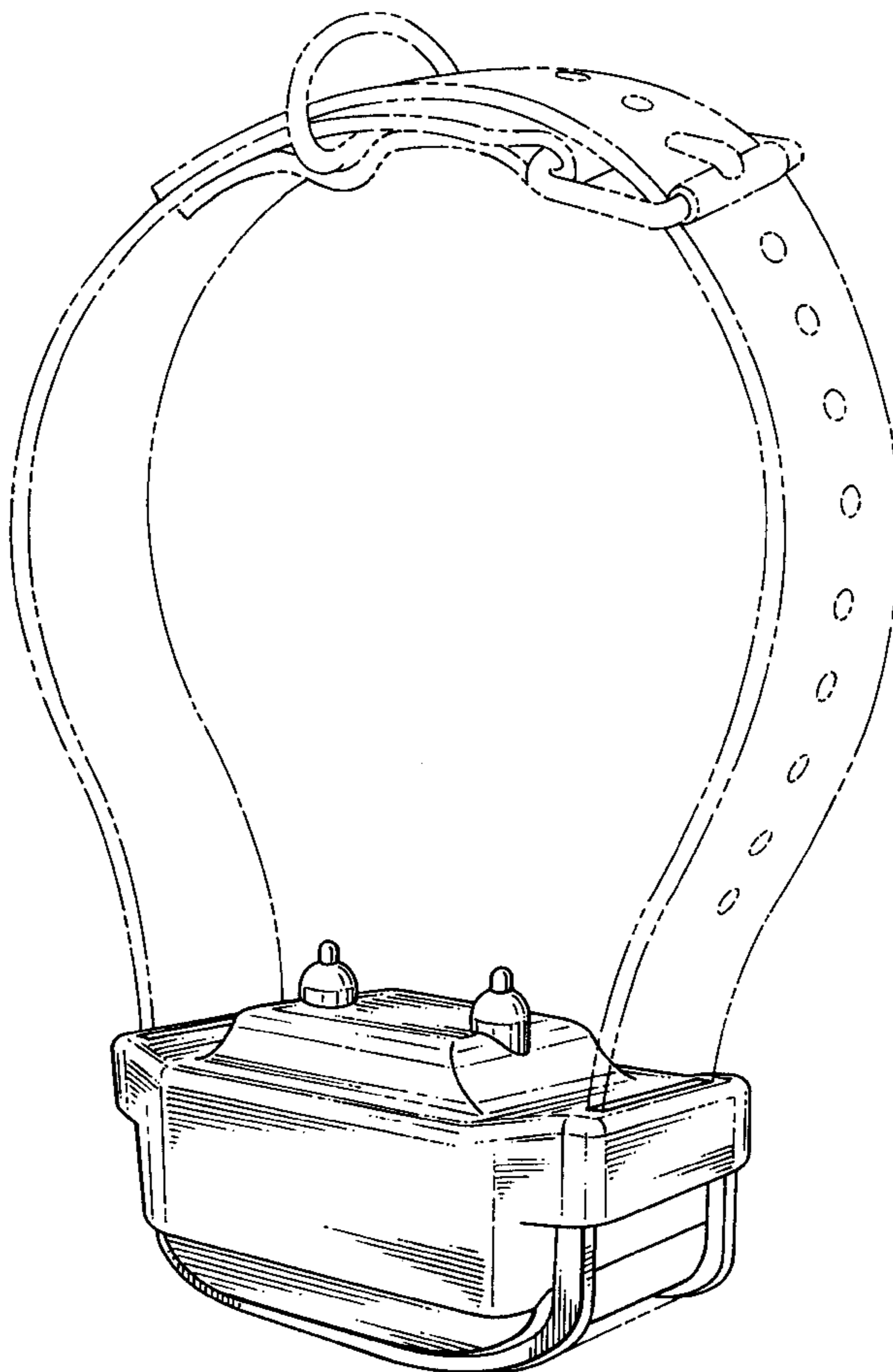
[57] **CLAIM**

The ornamental design for a collar-mounted stimulus trainer, as shown and described.

DESCRIPTION

FIG. 1 is a perspective view taken from the front, right and top of a collar-mounted stimulus trainer showing my new design, the broken lines are for illustrative purposes only and form no part of the claimed design;
FIG. 2 is a bottom plan view thereof;
FIG. 3 is a top plan view thereof;
FIG. 4 is a front elevational view thereof, the rear elevational view being a mirror image; and,
FIG. 5 is a right elevational view thereof; the left elevational view being a mirror image.

1 Claim, 2 Drawing Sheets



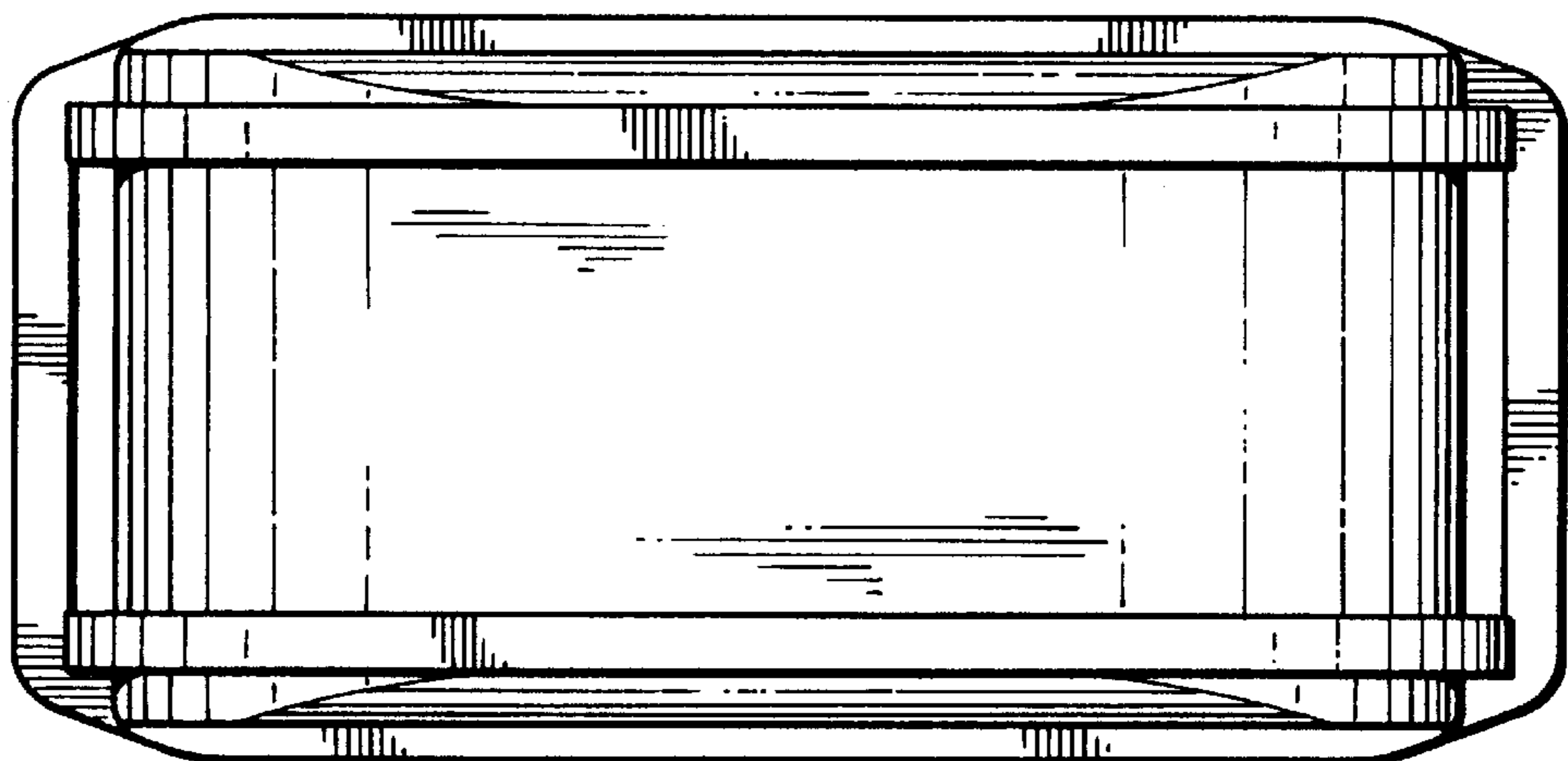
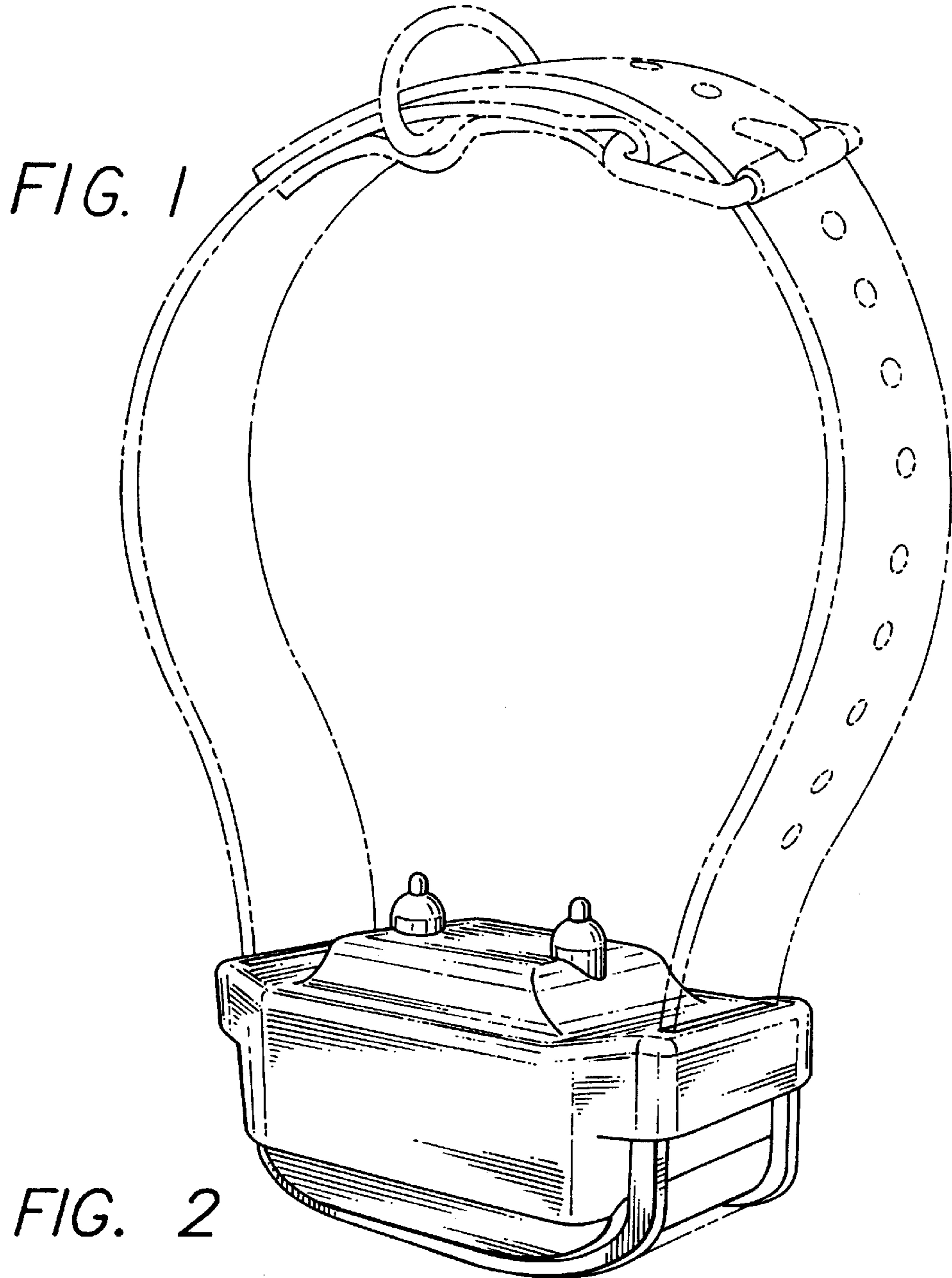


FIG. 3

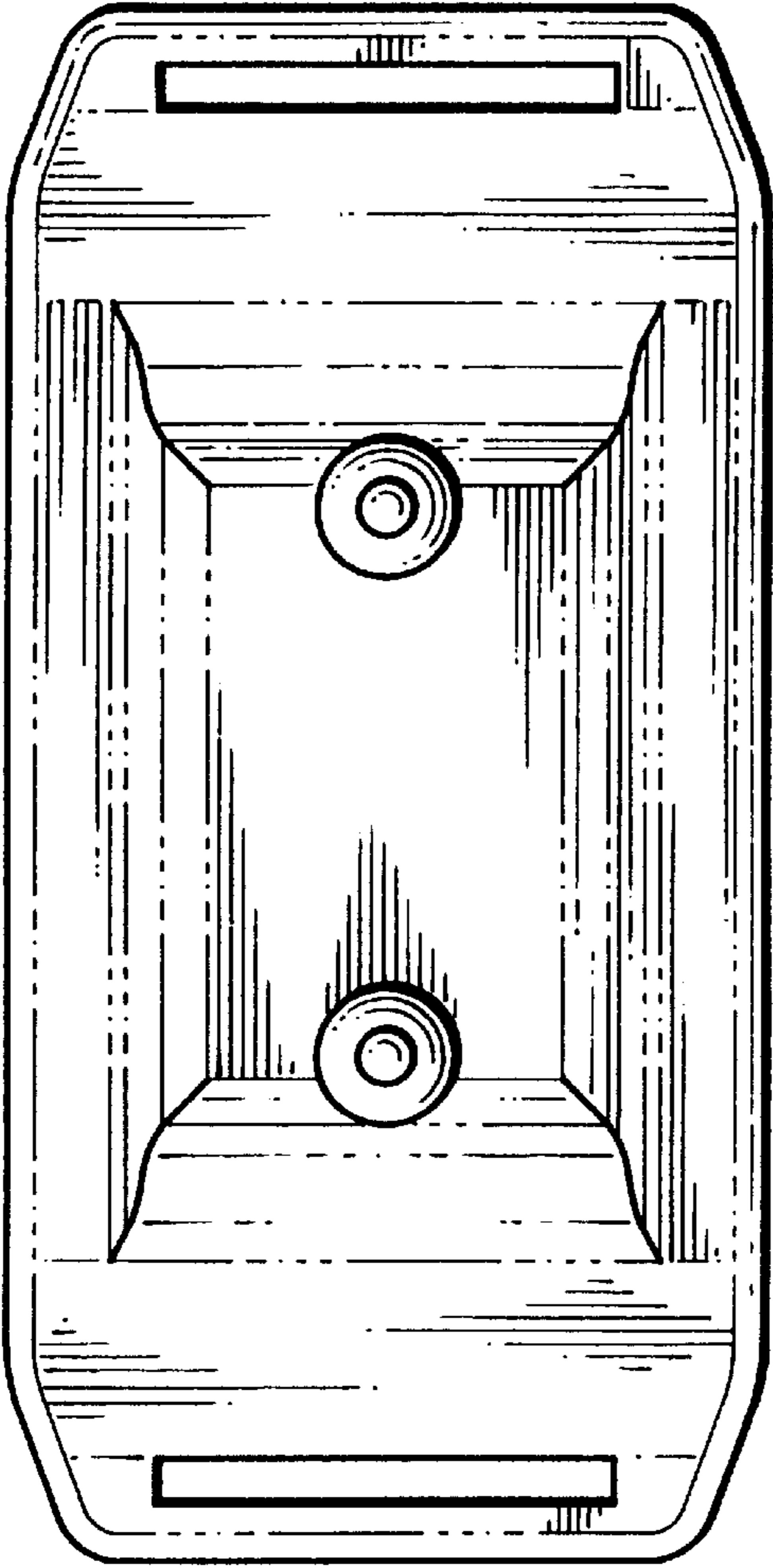


FIG. 4

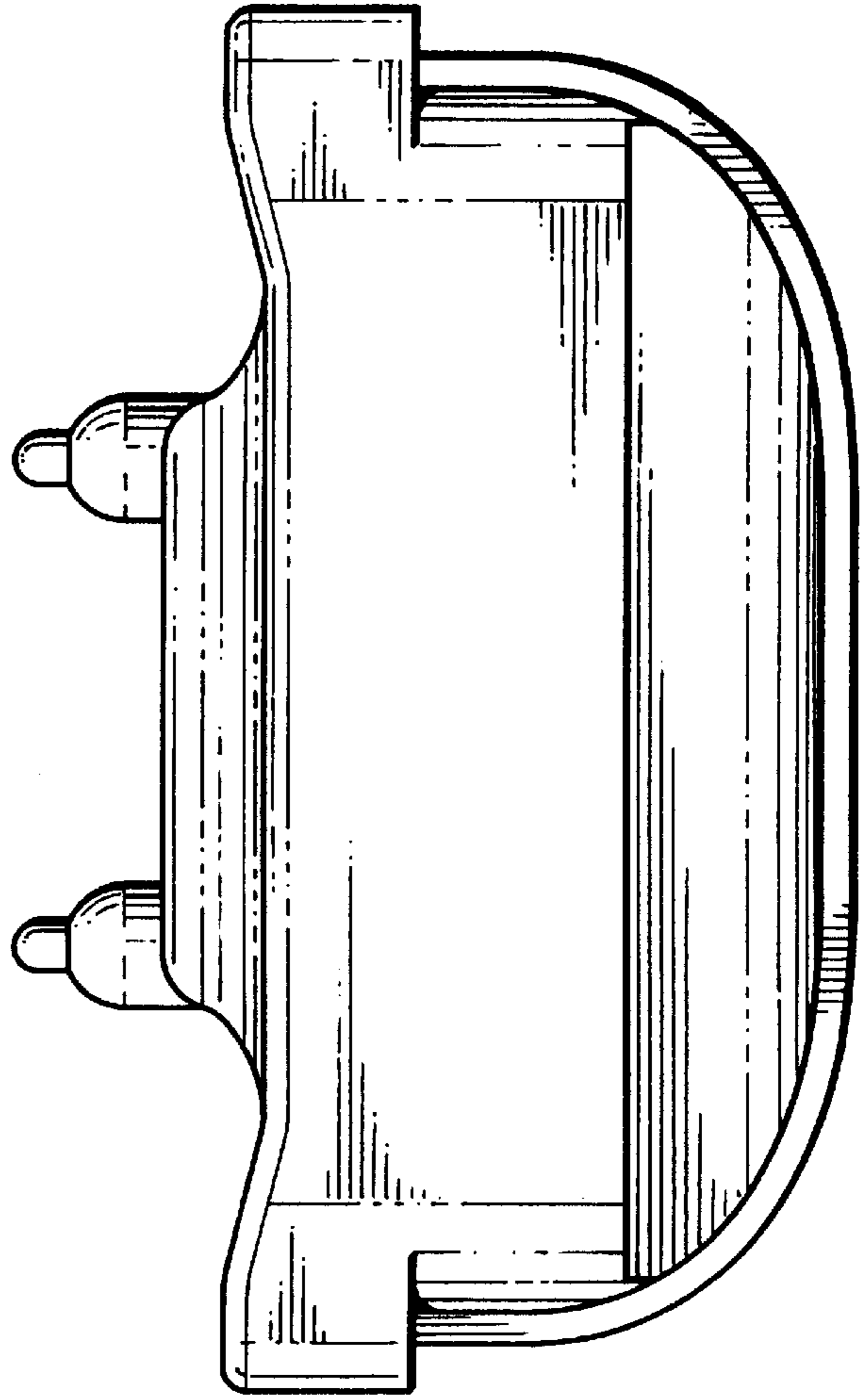


FIG. 5

