



US00D410201S

United States Patent [19]
Allison

[11] **Patent Number: Des. 410,201**

[45] **Date of Patent: ** May 25, 1999**

[54] **BIRD AND FLOWER WINDMILL**

Primary Examiner—Antoine Duval Davis

[76] Inventor: **Ian T. Allison**, P.O. Box 1705, Santa Rosa, Calif. 95402

[57] **CLAIM**

[**] Term: **14 Years**

The ornamental design for a bird and flower windmill, as shown.

[21] Appl. No.: **29/072,570**

[22] Filed: **Jun. 19, 1997**

DESCRIPTION

[51] **LOC (6) Cl.** **10-04**

FIG. 1 is a side view.

[52] **U.S. Cl.** **D10/59**

[58] **Field of Search** D10/59; 73/170.05,
73/170.07

FIG. 2 is a top view; and,

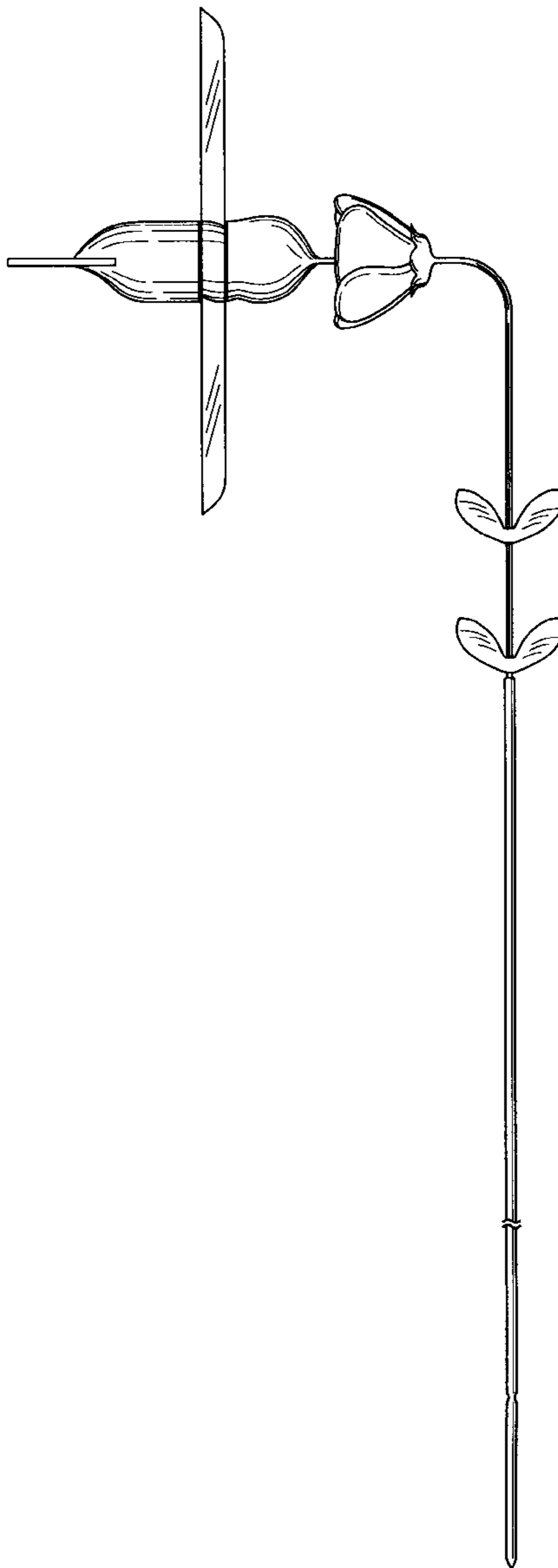
FIG. 3 is a front view.

[56] **References Cited**

U.S. PATENT DOCUMENTS

D. 347,393 5/1994 Young D10/59

1 Claim, 1 Drawing Sheet



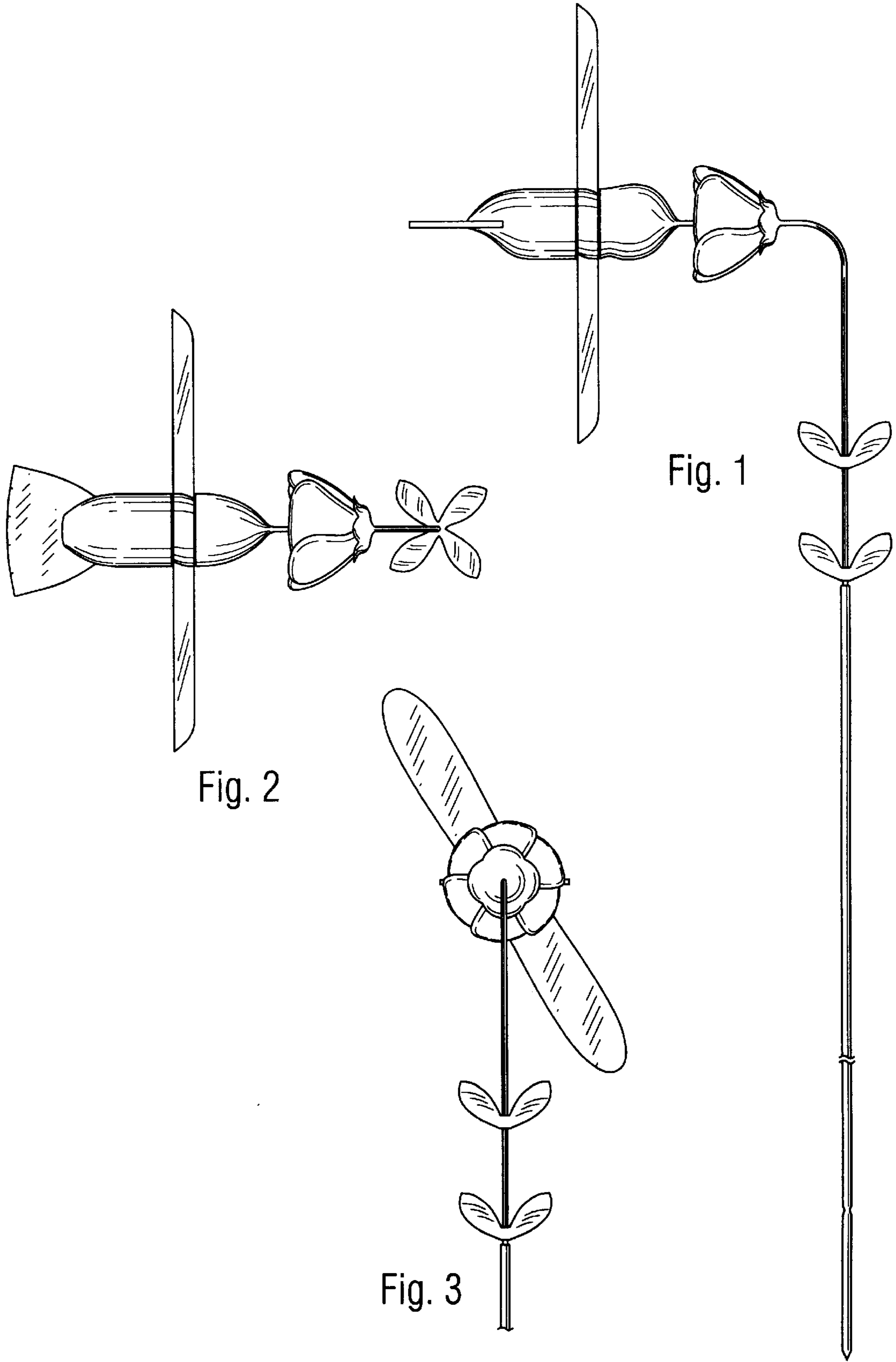


Fig. 2

Fig. 1

Fig. 3