



US00D410194S

United States Patent [19]
Hilton et al.

[11] **Patent Number: Des. 410,194**

[45] **Date of Patent: ** May 25, 1999**

[54] **MALE CLIP FASTENER**

[75] Inventors: **Kevin Hilton; Daniel Martin**, both of
Newcastle-Upon-Tyne, United Kingdom

[73] Assignee: **Caldwell Investments Plc**, Leeds,
United Kingdom

[**] Term: **14 Years**

[21] Appl. No.: **29/072,235**

[22] Filed: **Jun. 10, 1997**

[30] **Foreign Application Priority Data**

Dec. 10, 1996	[GB]	United Kingdom	2061638
Dec. 10, 1996	[GB]	United Kingdom	2061639
Dec. 10, 1996	[GB]	United Kingdom	2061640
Jan. 8, 1997	[GB]	United Kingdom	2062254
May 7, 1997	[GB]	United Kingdom	2065592

[51] **LOC (6) Cl.** **08-08**

[52] **U.S. Cl.** **D8/382**

[58] **Field of Search** D8/382; 411/500,
411/508, 510; 24/453

[56] **References Cited**

U.S. PATENT DOCUMENTS

D. 273,091	3/1984	Kurosaki	D8/382 X
D. 299,113	12/1988	Takahashi	D8/382
D. 392,554	3/1998	Shimazu et al.	D8/382
4,762,437	8/1988	Mitomi	411/510
5,387,065	2/1995	Sullivan	411/510
5,592,719	1/1997	Eto et al.	24/453
5,738,476	4/1998	Assimakopoulos	411/508

Primary Examiner—Mitchell I Siegel
Attorney, Agent, or Firm—Madson & Metcalf

[57] **CLAIM**

The ornamental design for a male clip fastener, as shown and described.

DESCRIPTION

FIG. 1 is a perspective view of a male clip fastener.

FIG. 2 is a front view of the male clip of FIG. 1, the back view is the same as the front view.

FIG. 3 is a top view of the male clip of FIG. 1.

FIG. 4 is a bottom view of the male clip of FIG. 1.

FIG. 5 is a side view of the male clip of FIG. 1, the other side view is the same as this view.

FIG. 6 is a perspective view of another male clip according to the present invention in which the top surface does not extend fully to cover the gaps between the side release members.

FIG. 7 is a front view of the male clip of FIG. 6, the back view is the same as the front view.

FIG. 8 is a top view of the male clip of FIG. 6.

FIG. 9 is a bottom view of the male clip of FIG. 6.

FIG. 10 is a side view of the male clip of FIG. 6, the other side view is the same as this view.

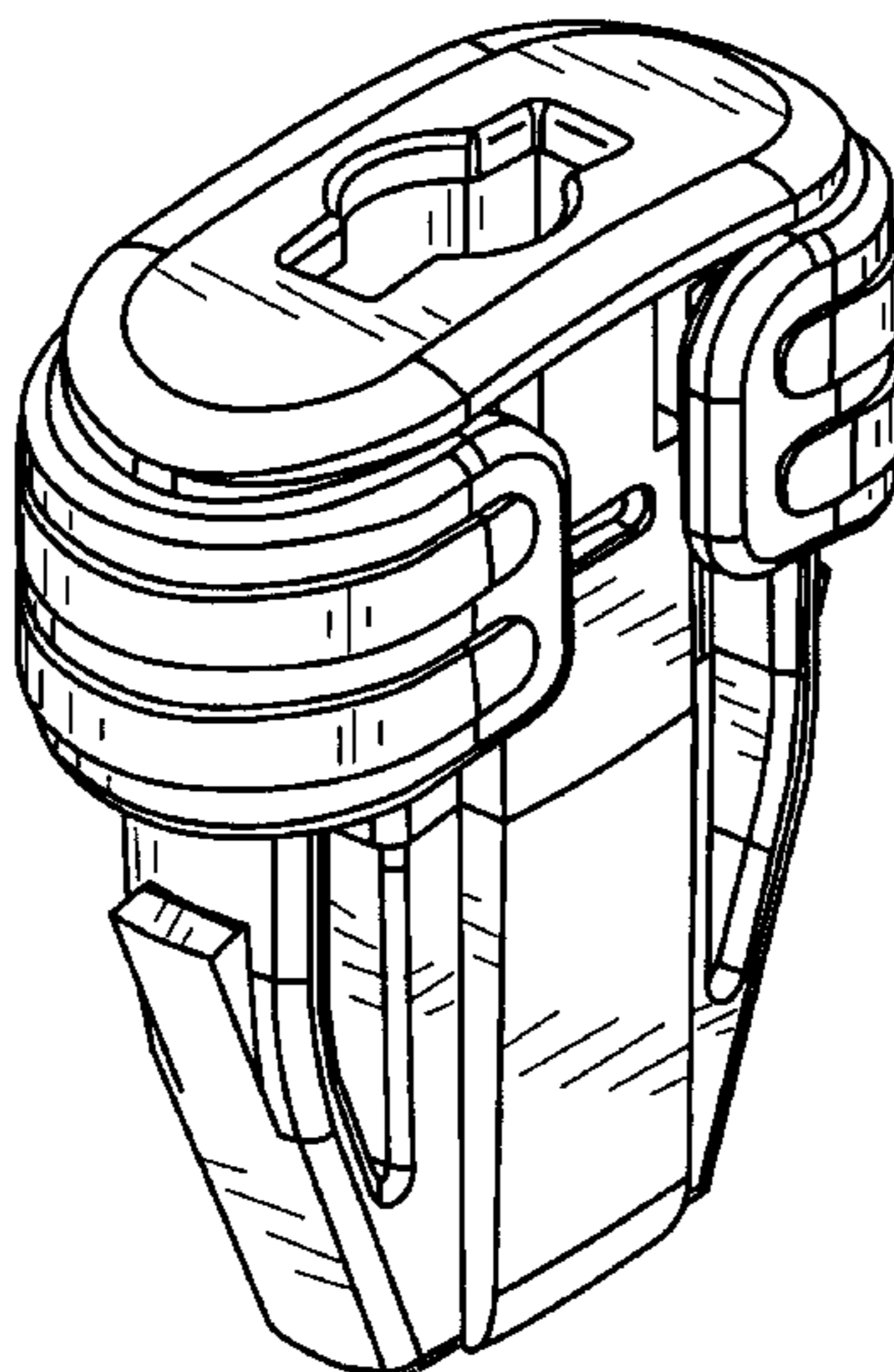
FIG. 11 is a reduced perspective view of the male clip fastener, the broken line showing a rain shield is for illustrative purposes only and forms no part of the claimed design.

FIG. 12 is a reduced perspective view of the male clip fastener, the broken line showing a sun shield is for illustrative purposes only and forms no part of the claimed design.

FIG. 13 is a reduced perspective view of the male clip fastener, the broken line showing a parasol is for illustrative purposes only and forms no part of the claimed design; and,

FIG. 14 is a reduced perspective view of the male clip fastener, the broken line showing a table is for illustrative purposes only and forms no part of the claimed design.

1 Claim, 8 Drawing Sheets



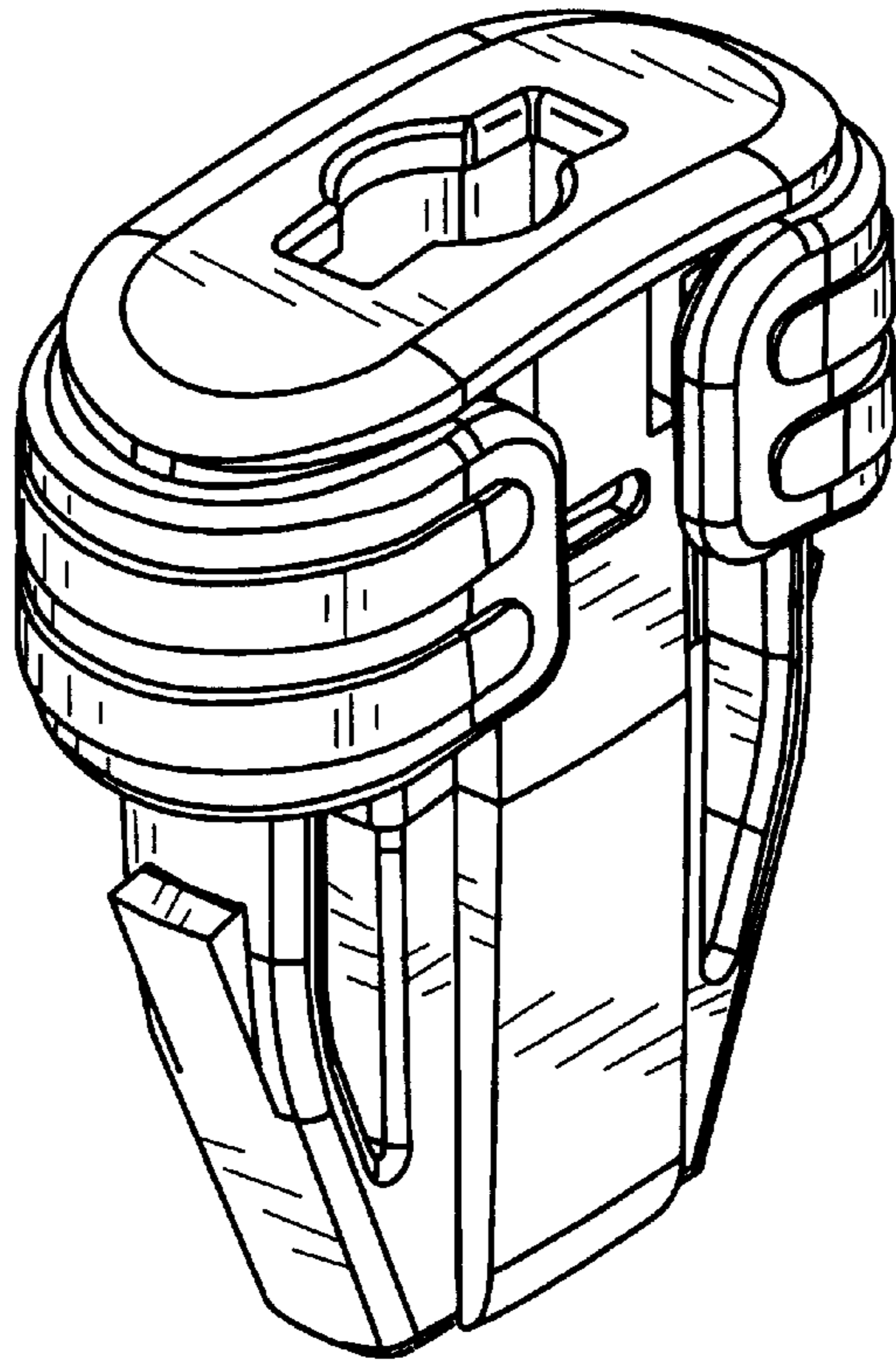


Fig. 1

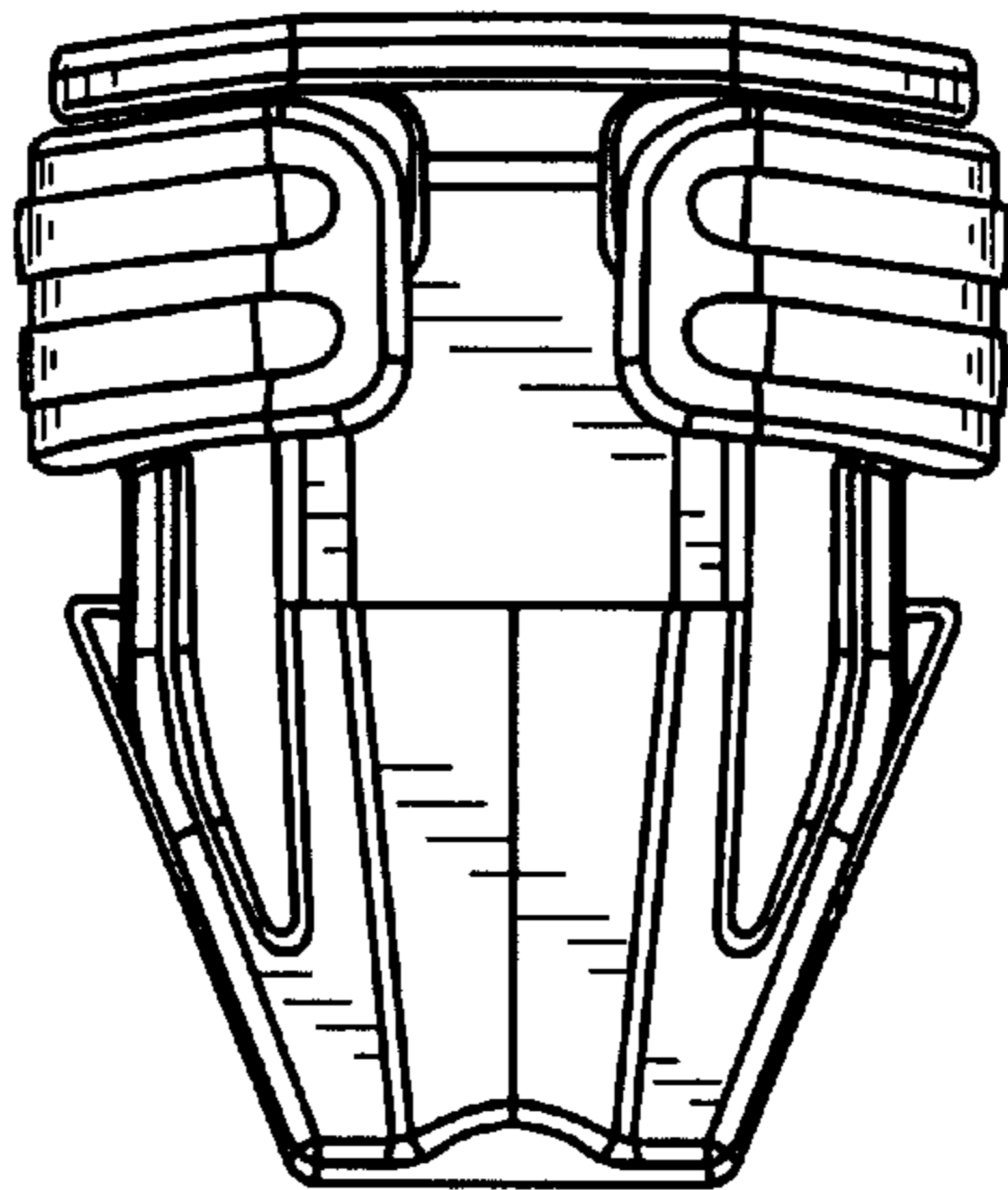


Fig. 2

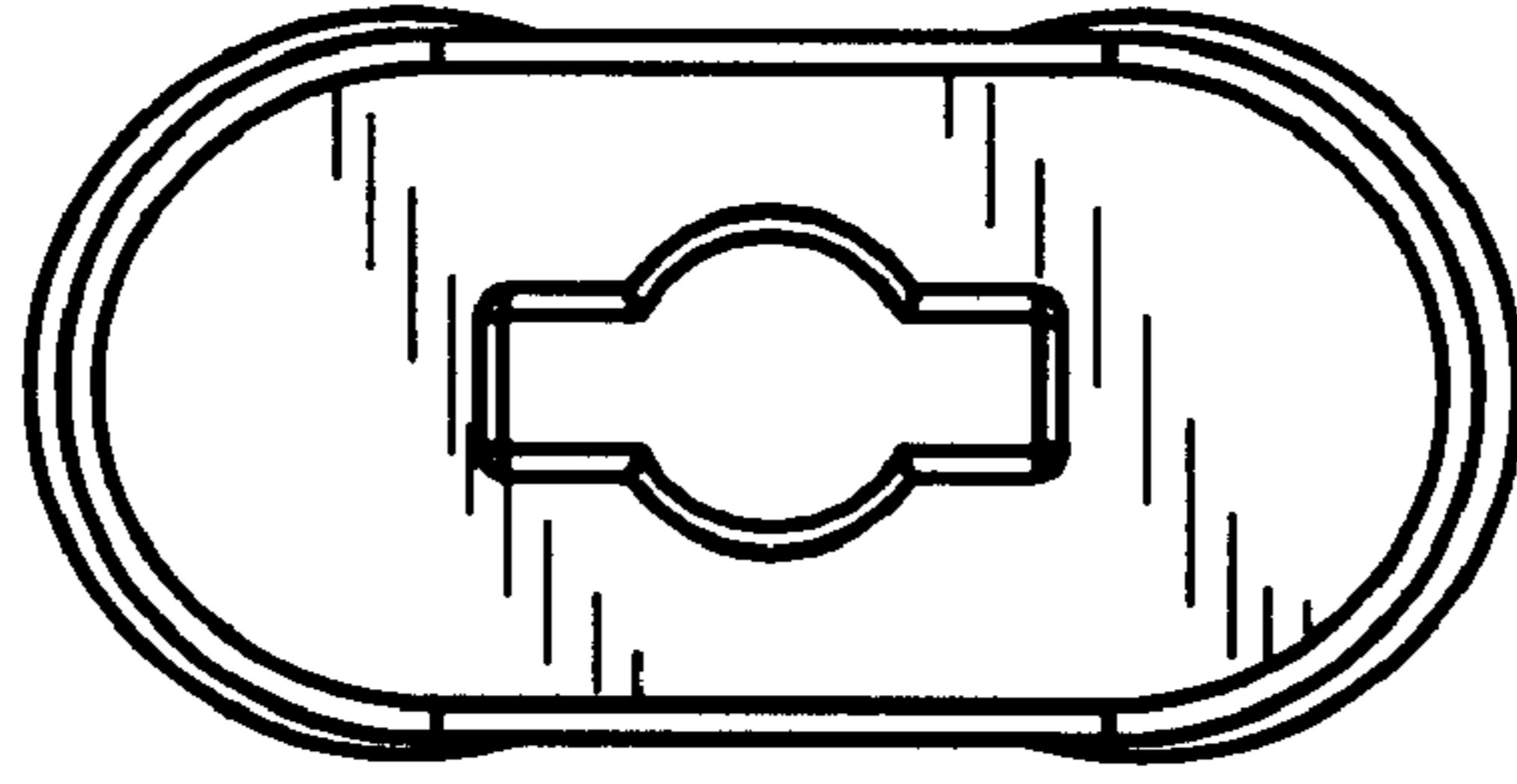


Fig. 3

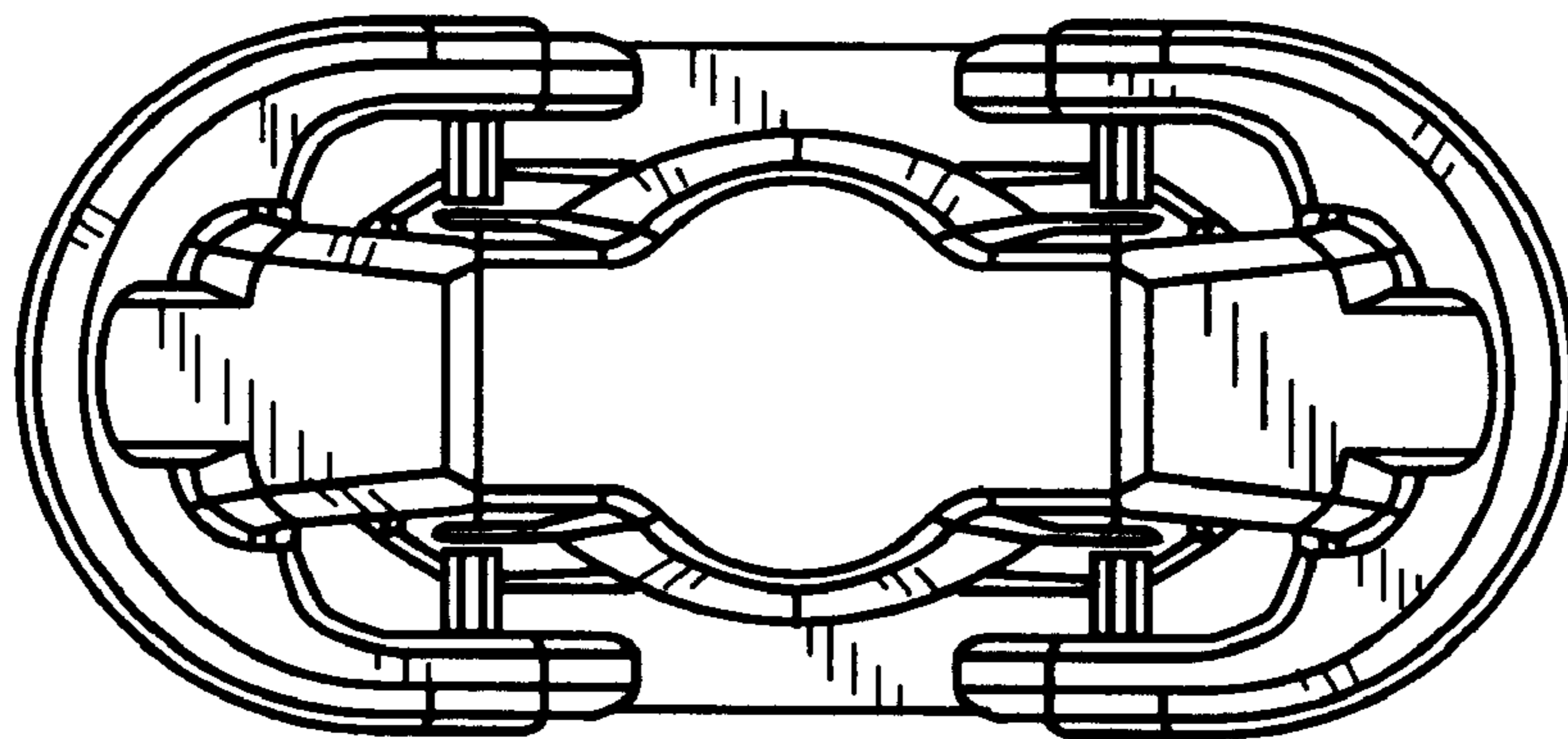


Fig. 4

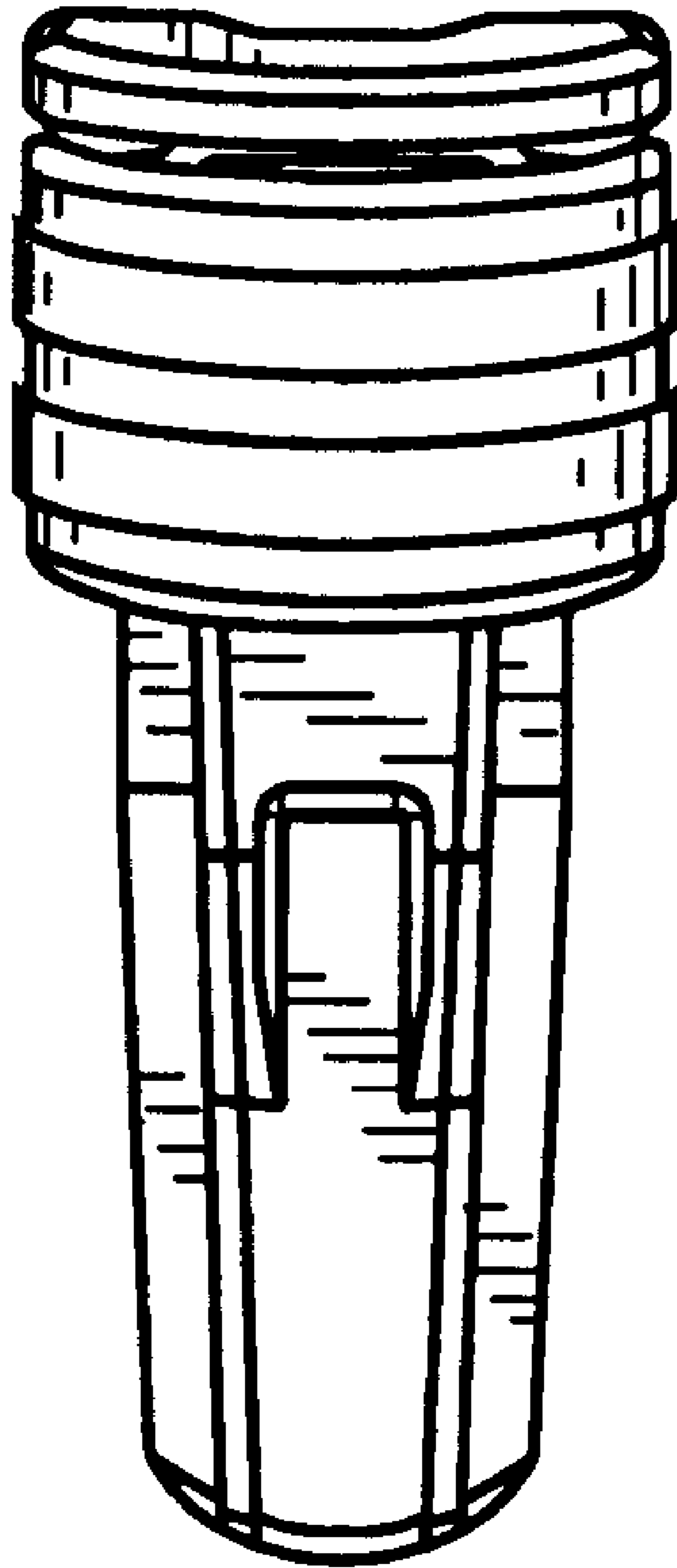


Fig. 5

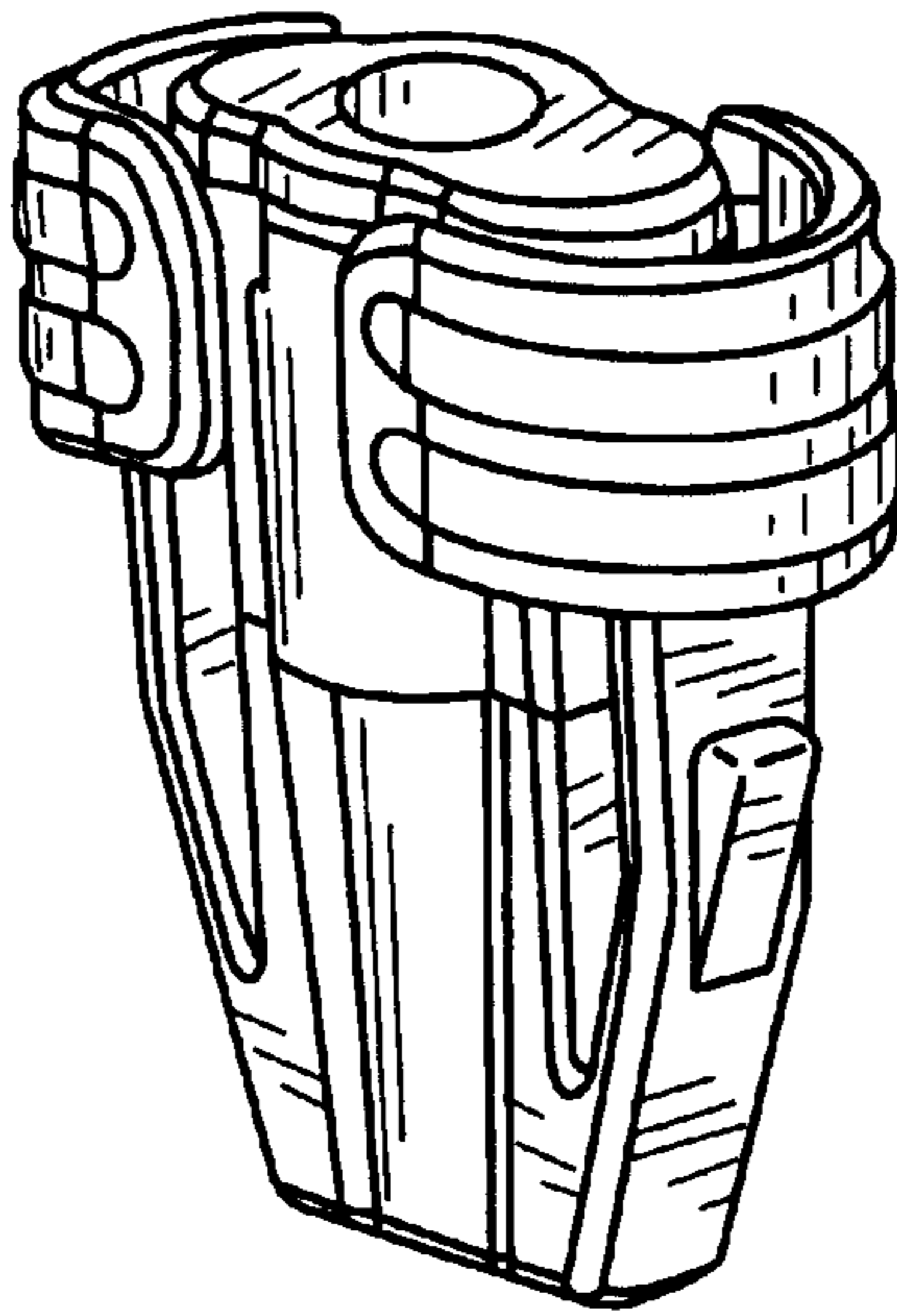


Fig. 6

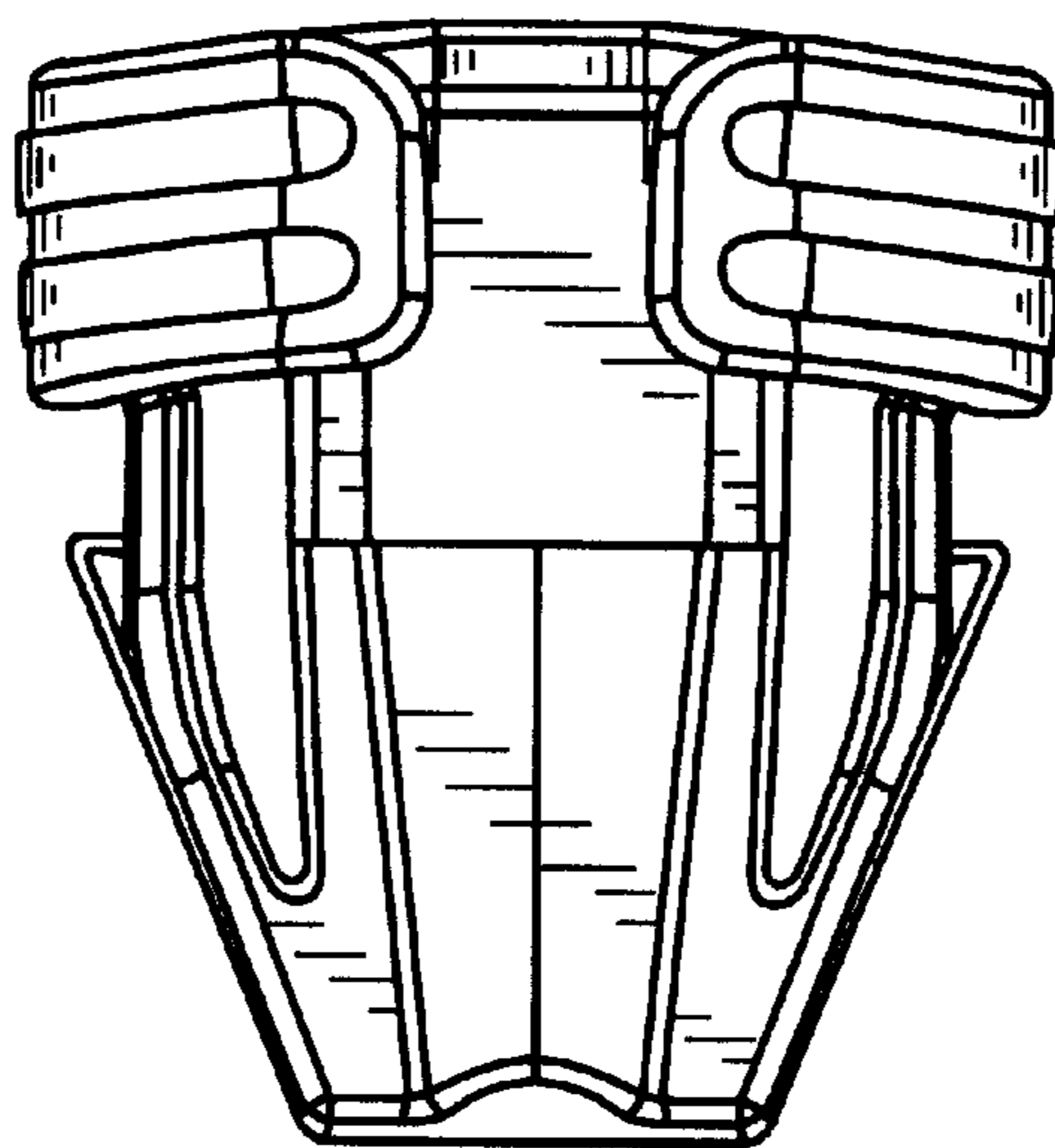


Fig. 7

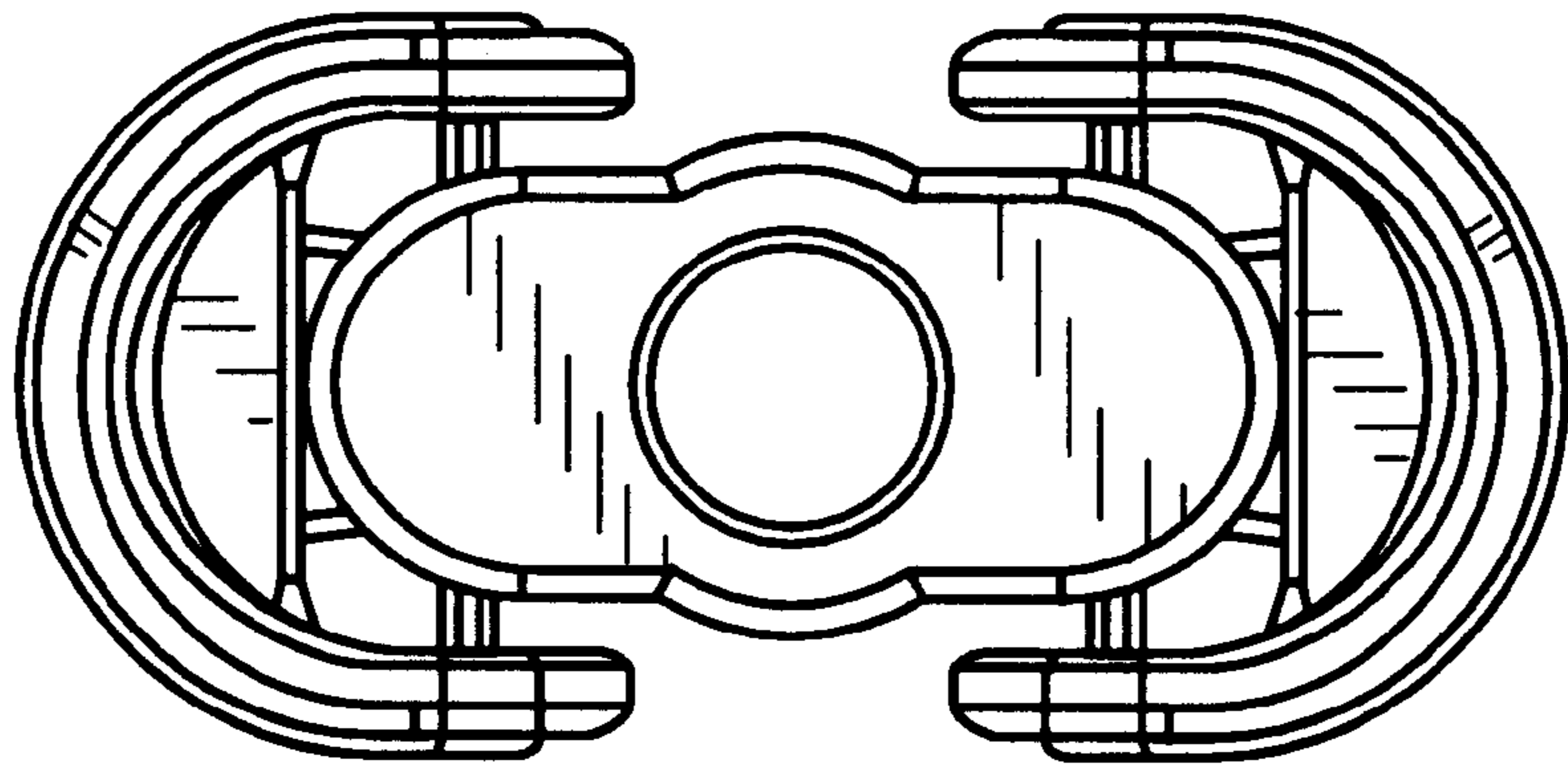


Fig. 8

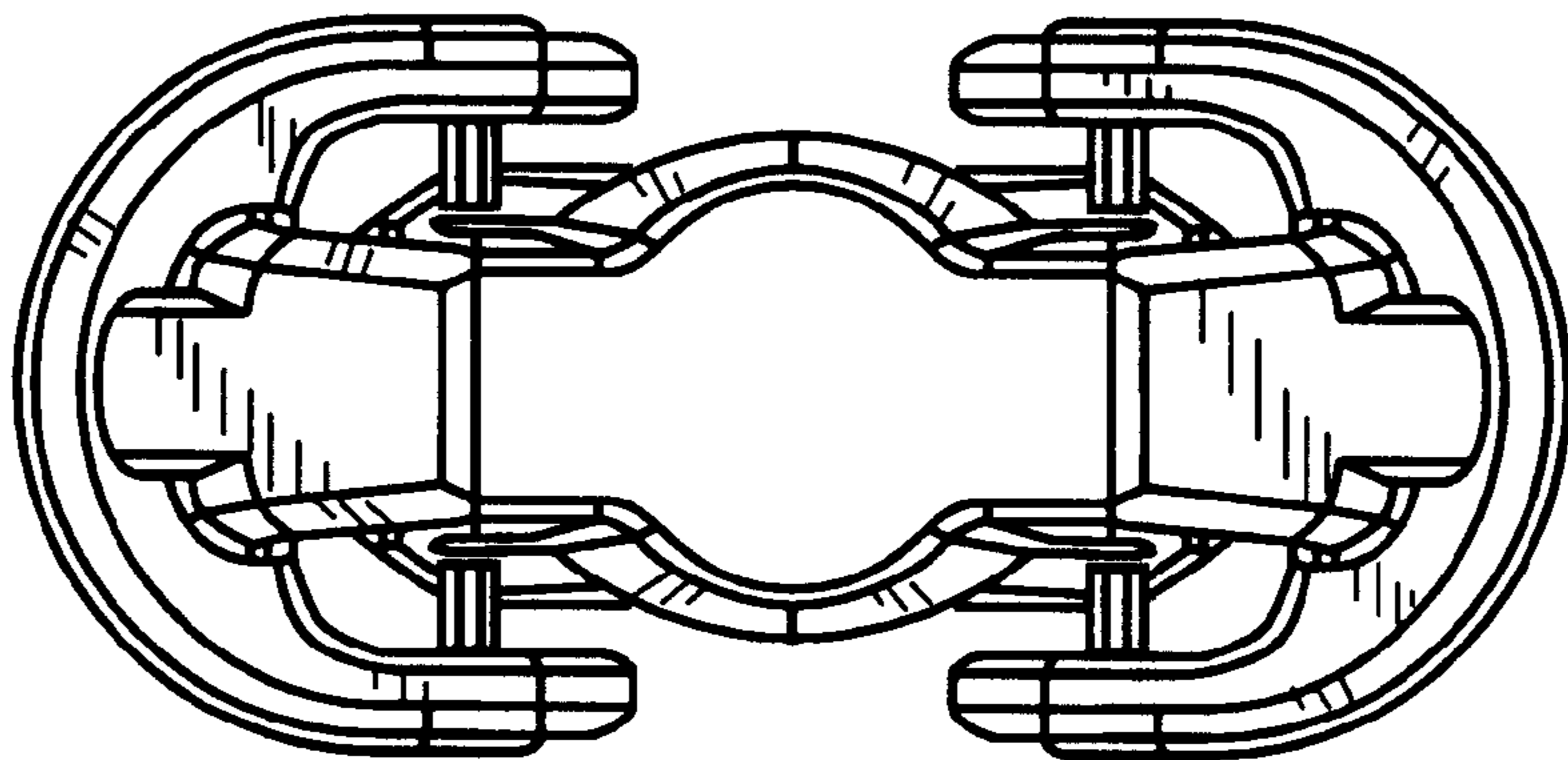


Fig. 9

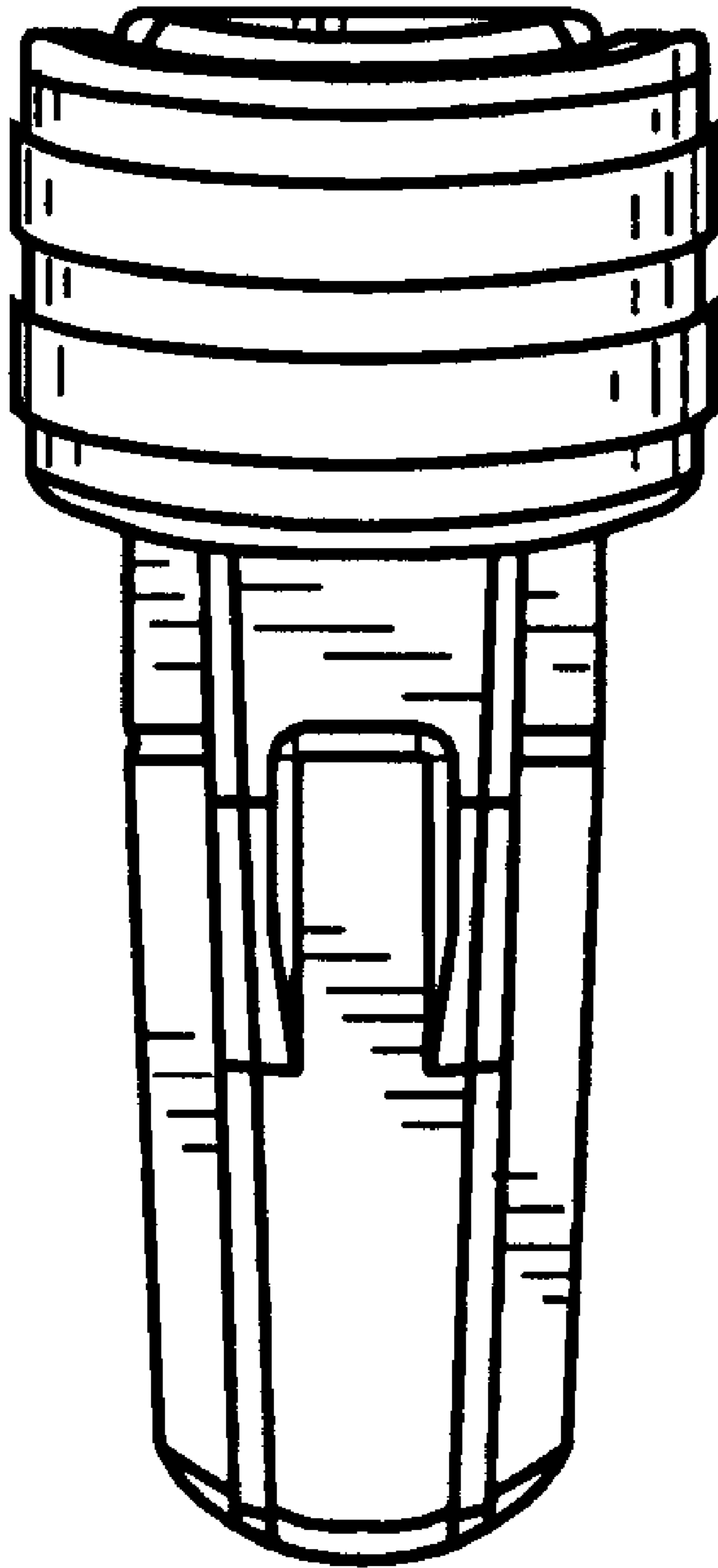


Fig. 10

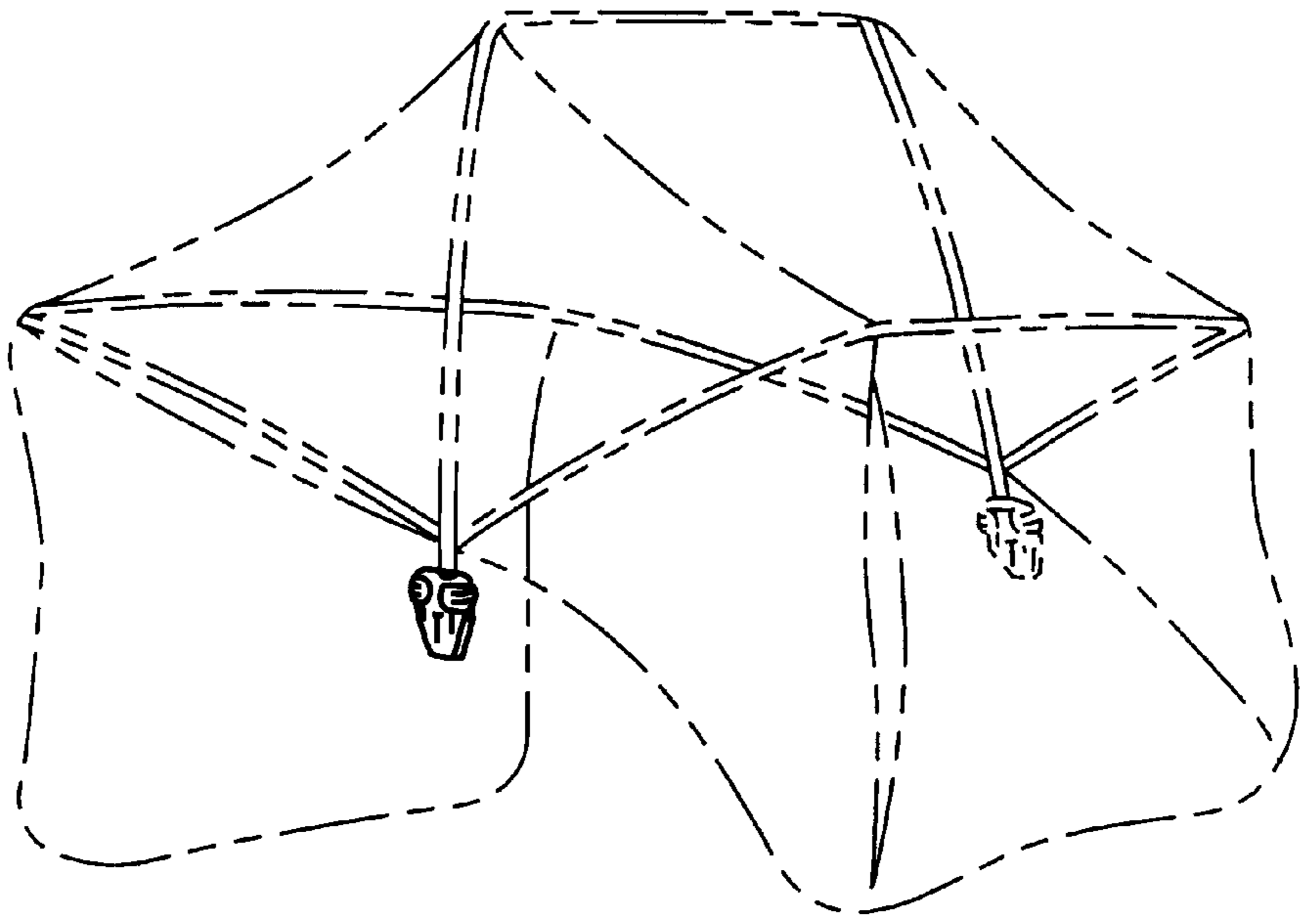


Fig. 11

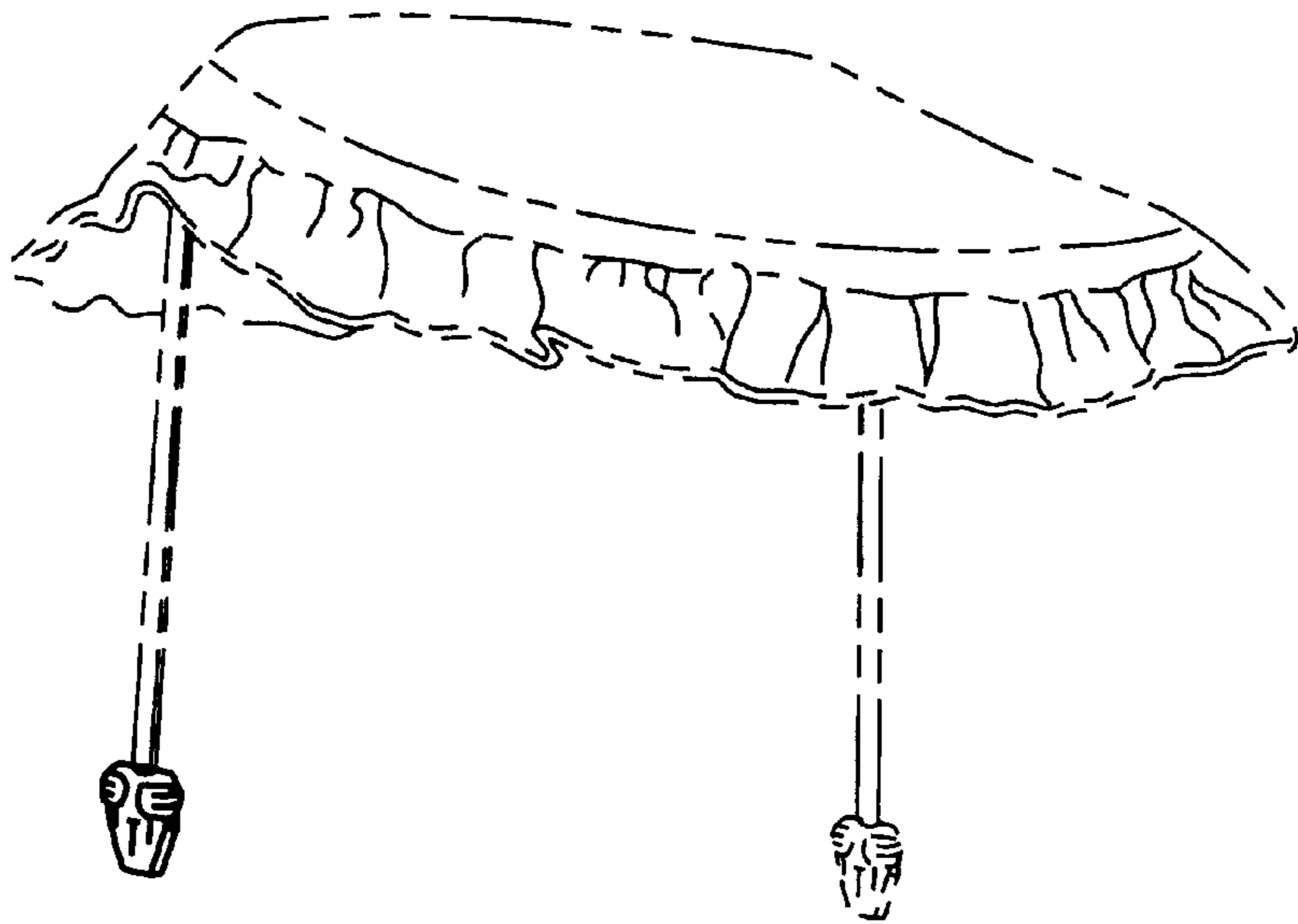


Fig. 12

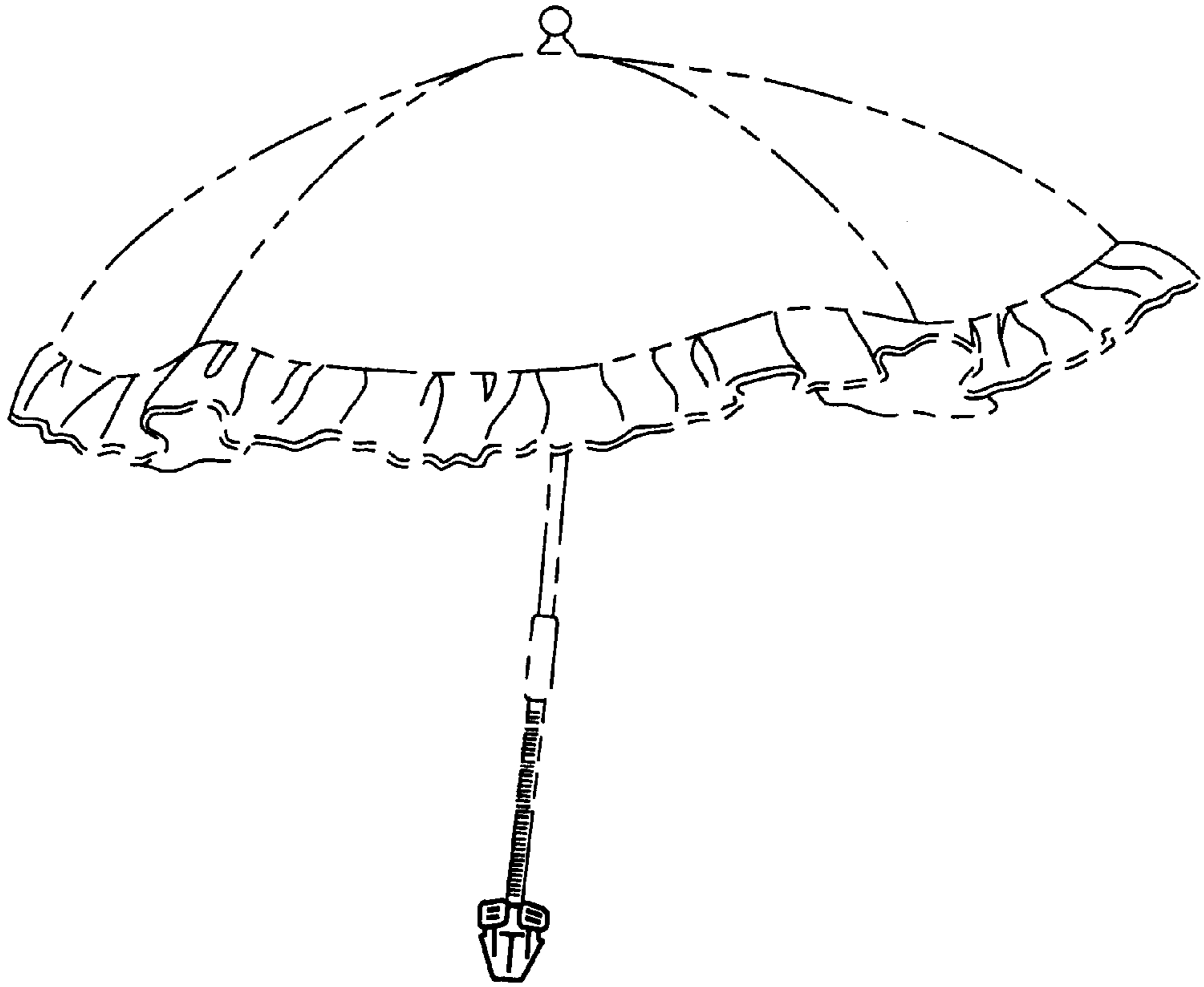


Fig. 13

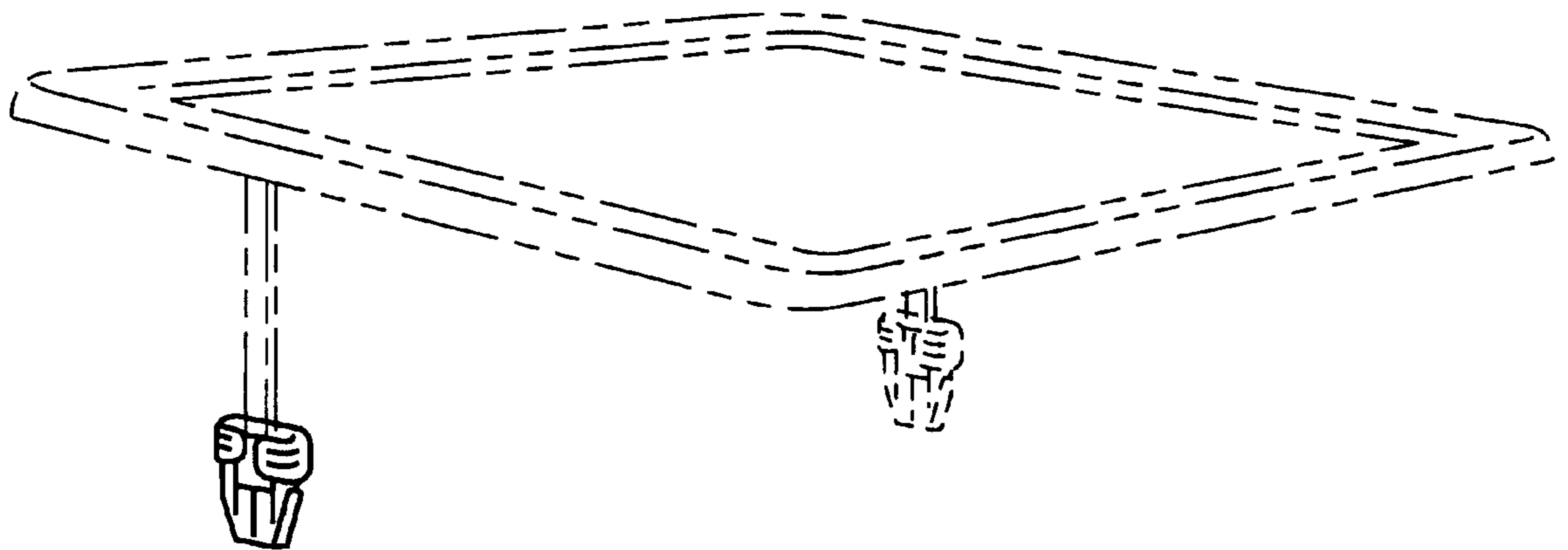


Fig. 14