



US00D410192S

United States Patent [19]
Giese

[11] **Patent Number: Des. 410,192**

[45] **Date of Patent: ** May 25, 1999**

[54] **MOUNTING BRACKET**

[75] Inventor: **Robert D. Giese**, Kenosha, Wis.

[73] Assignee: **White Consolidated Industries, Inc.**,
Cleveland, Ohio

[**] Term: **14 Years**

[21] Appl. No.: **29/092,945**

[22] Filed: **Aug. 31, 1998**

[51] **LOC (6) Cl.** **08-05**

[52] **U.S. Cl.** **D8/354**

[58] **Field of Search** D8/349, 354; 248/300,
248/200, 27.1, 201, 229.1, 262, 261

[56] **References Cited**

U.S. PATENT DOCUMENTS

5,667,178 9/1997 Yang 248/262

Primary Examiner—Holly Baynham
Attorney, Agent, or Firm—Pearne, Gordon, McCoy &
Granger LLP

[57] **CLAIM**

The ornamental design for a mounting bracket, as shown and described.

DESCRIPTION

FIG. 1 is a perspective view of a mounting bracket, showing my new design.

FIG. 2 is a side elevation view thereof, with the opposite side being a mirror image;

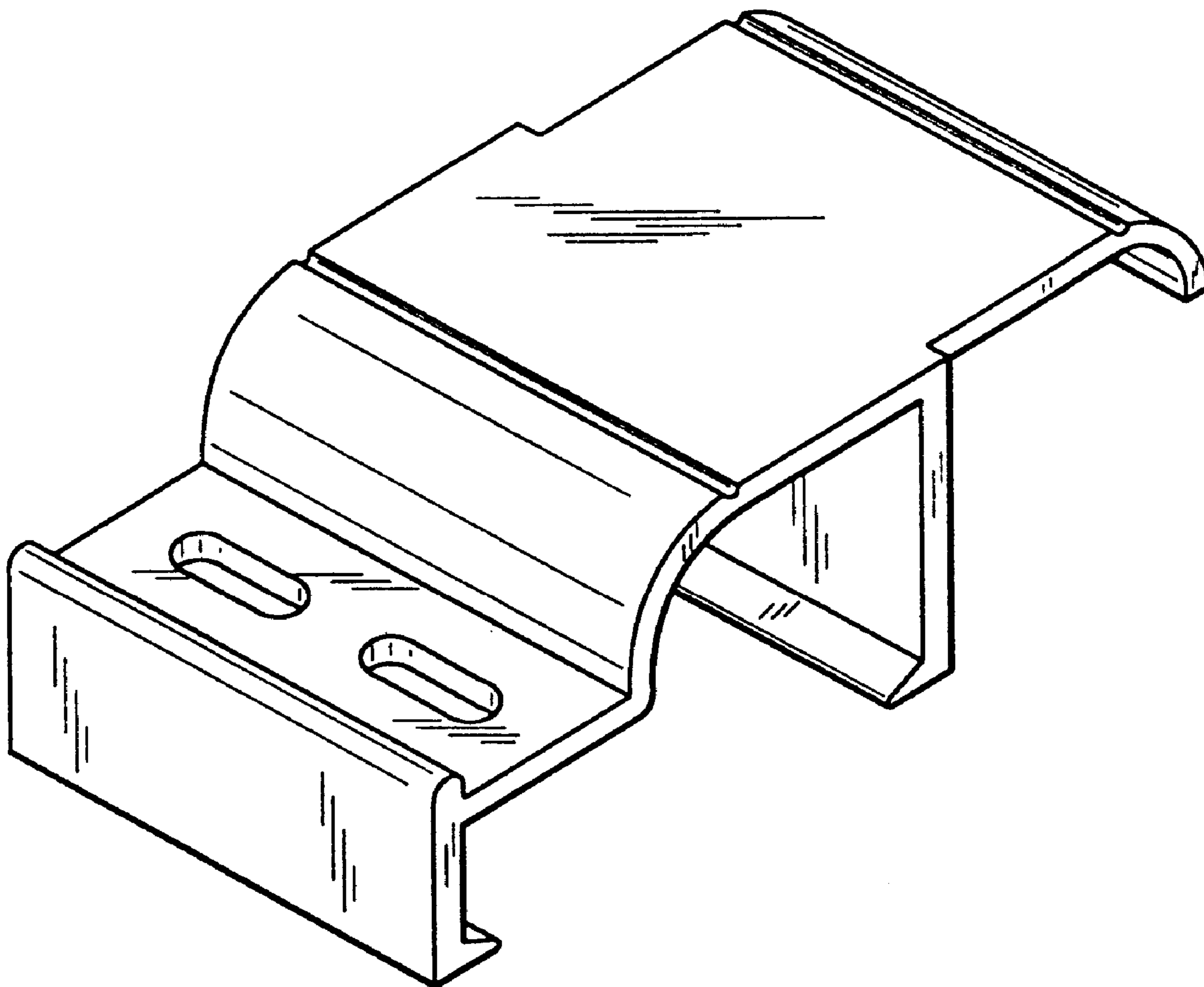
FIG. 3 is a top view thereof.

FIG. 4 is a rear end view thereof.

FIG. 5 is a front end view thereof; and,

FIG. 6 is a bottom view thereof.

1 Claim, 2 Drawing Sheets



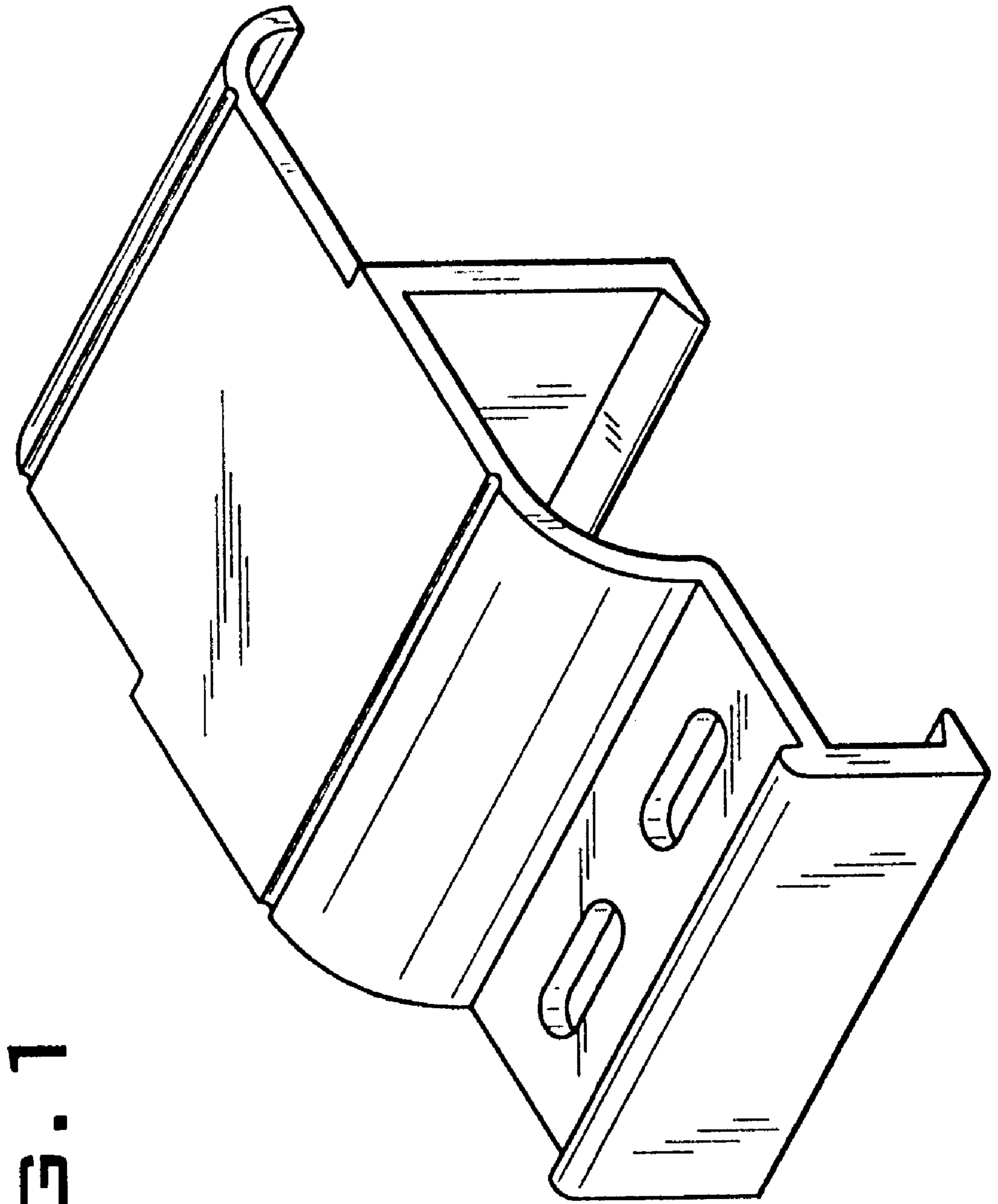


FIG. 1

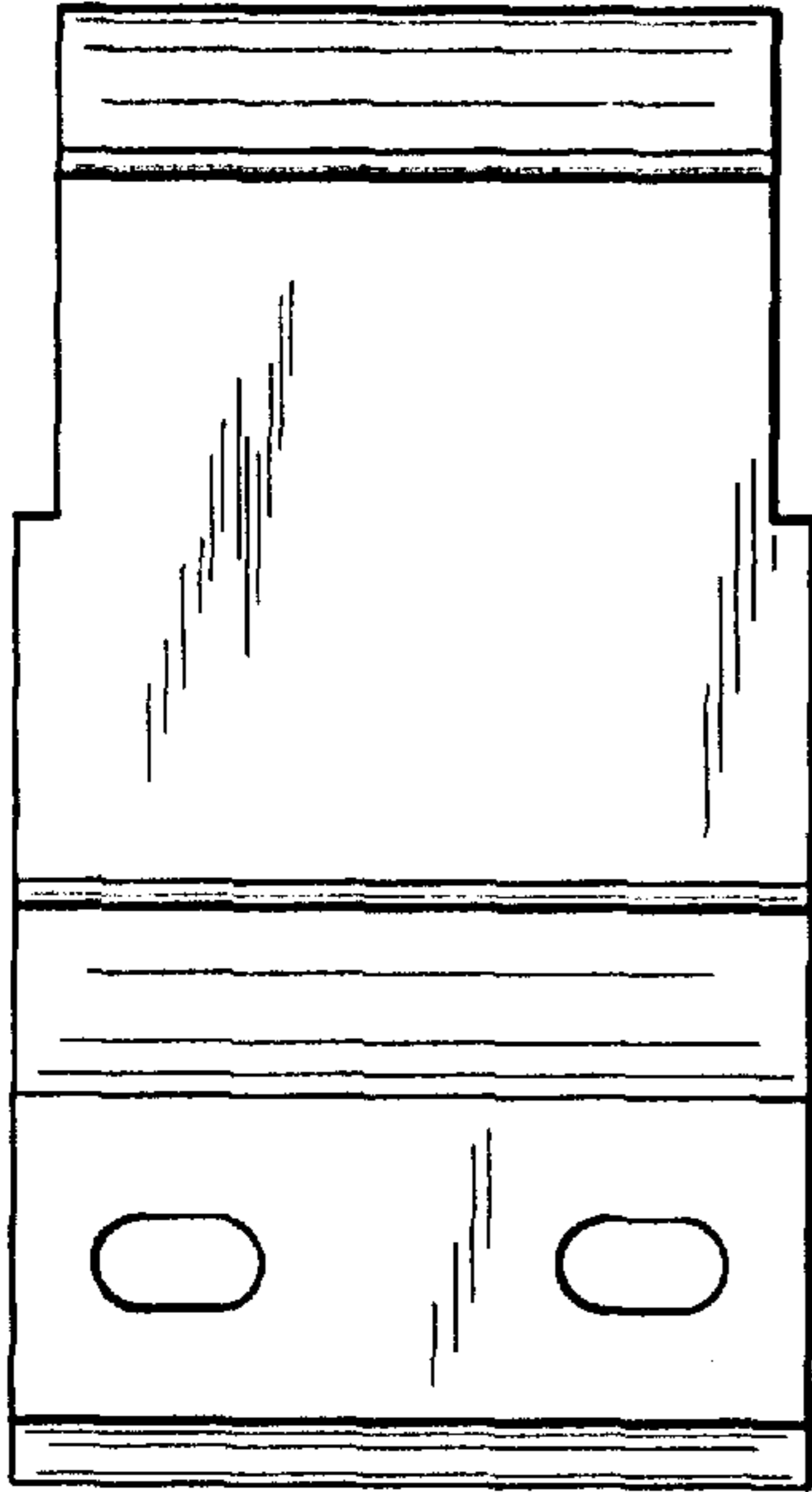


FIG. 3

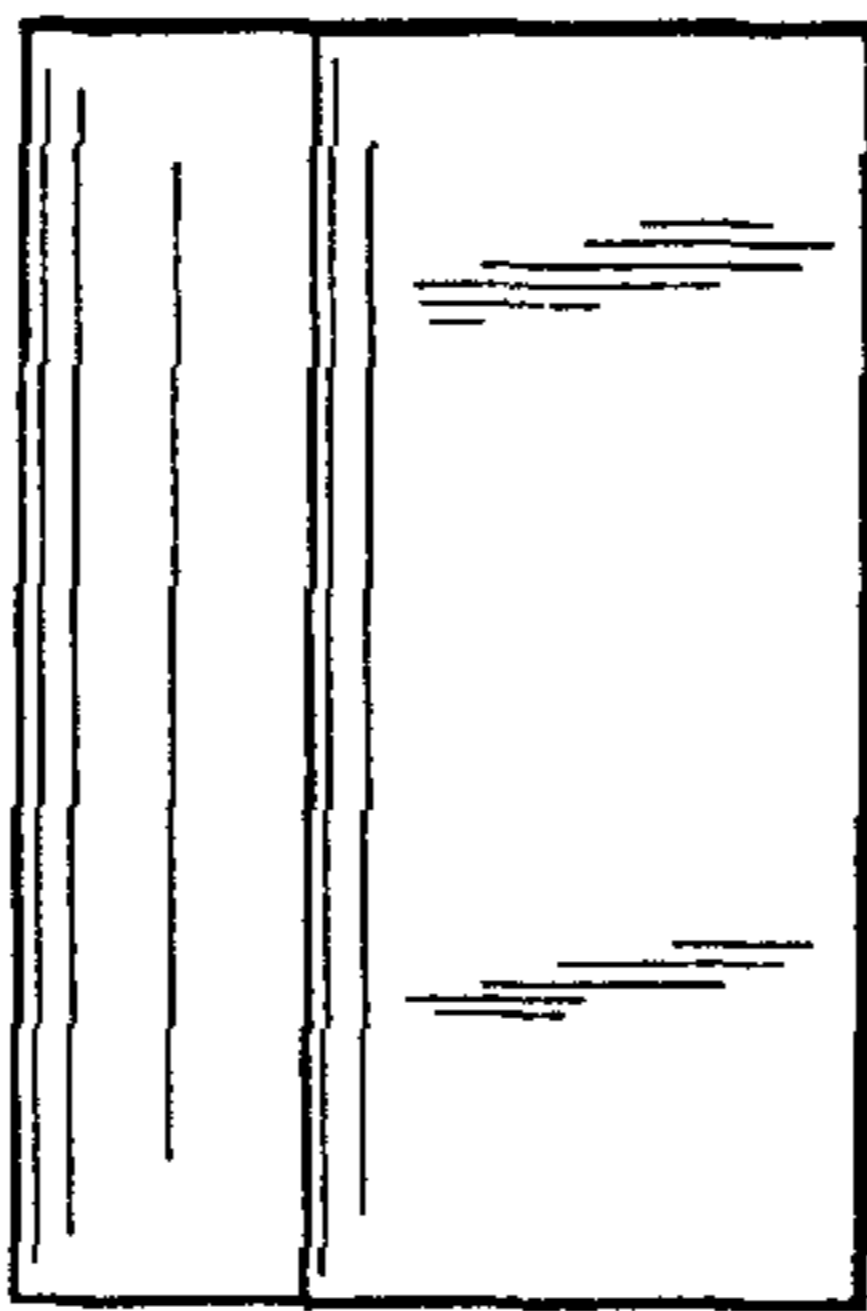


FIG. 5

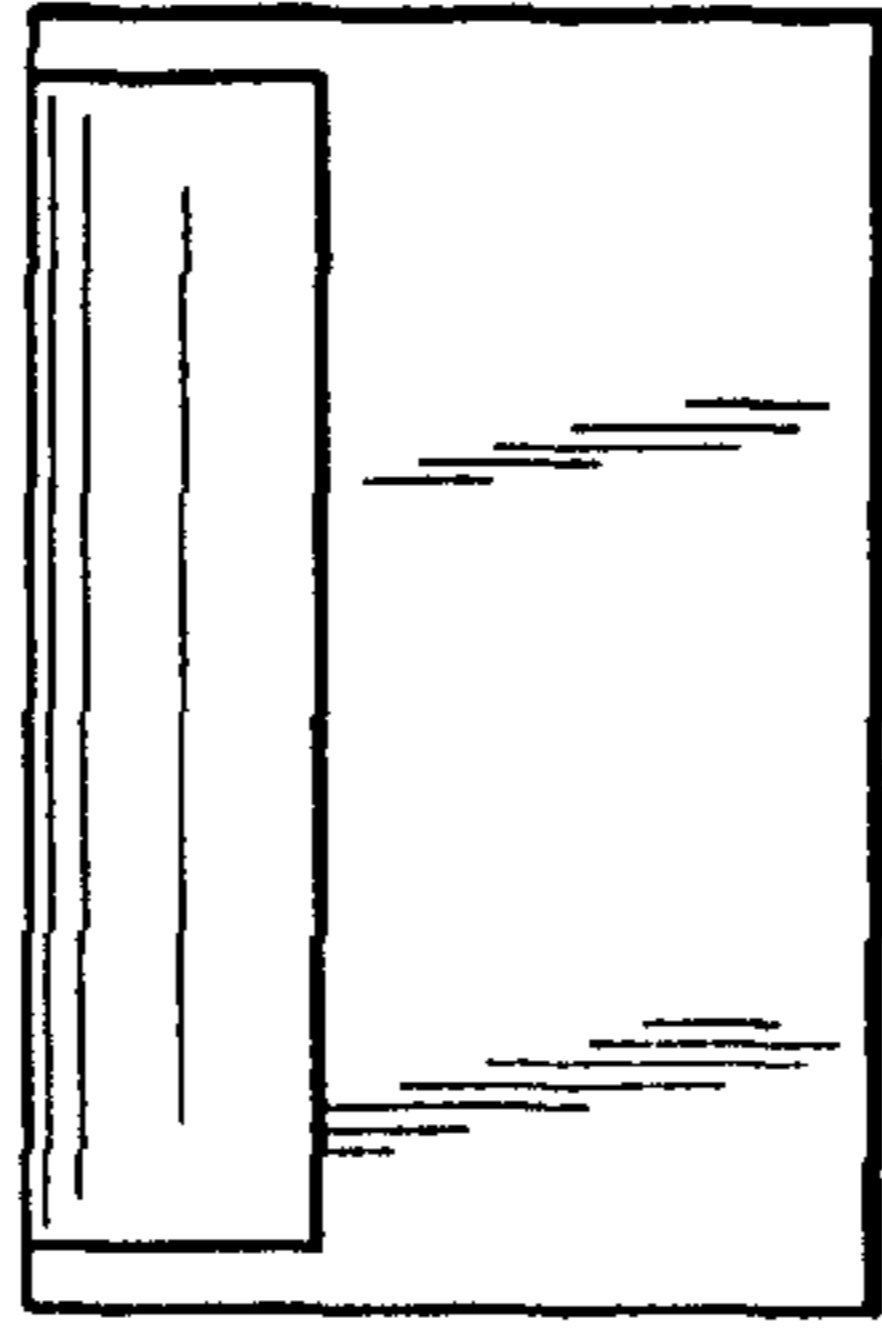


FIG. 4

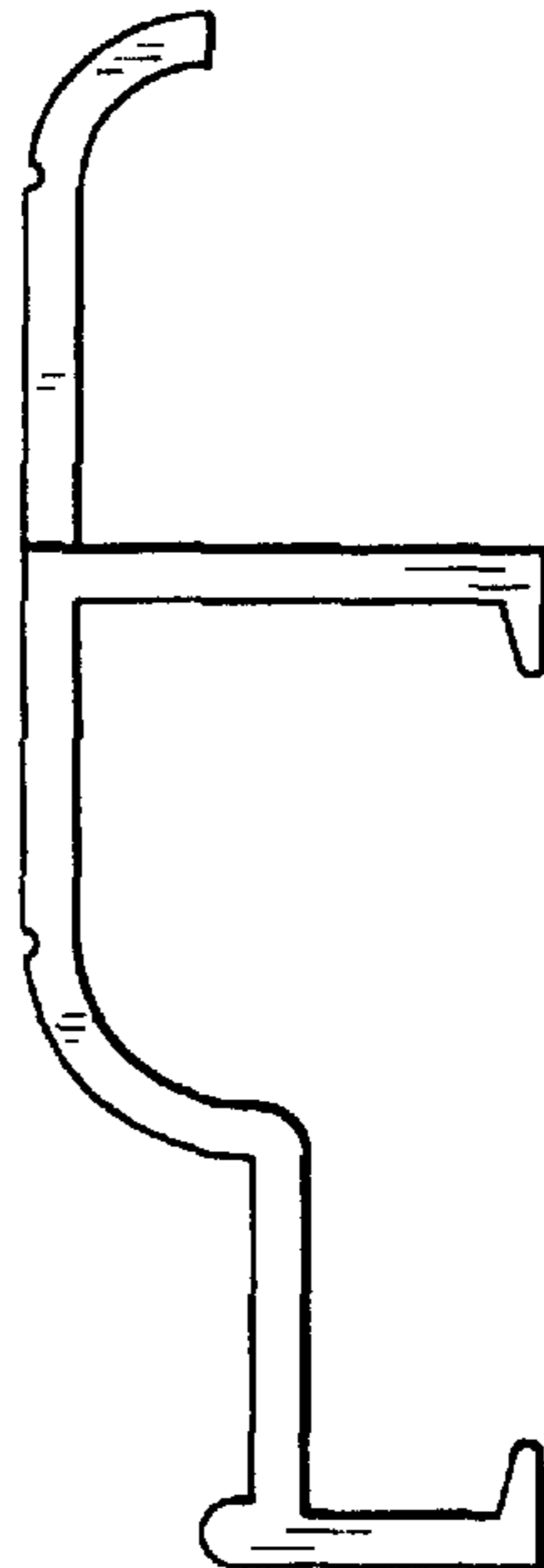


FIG. 2

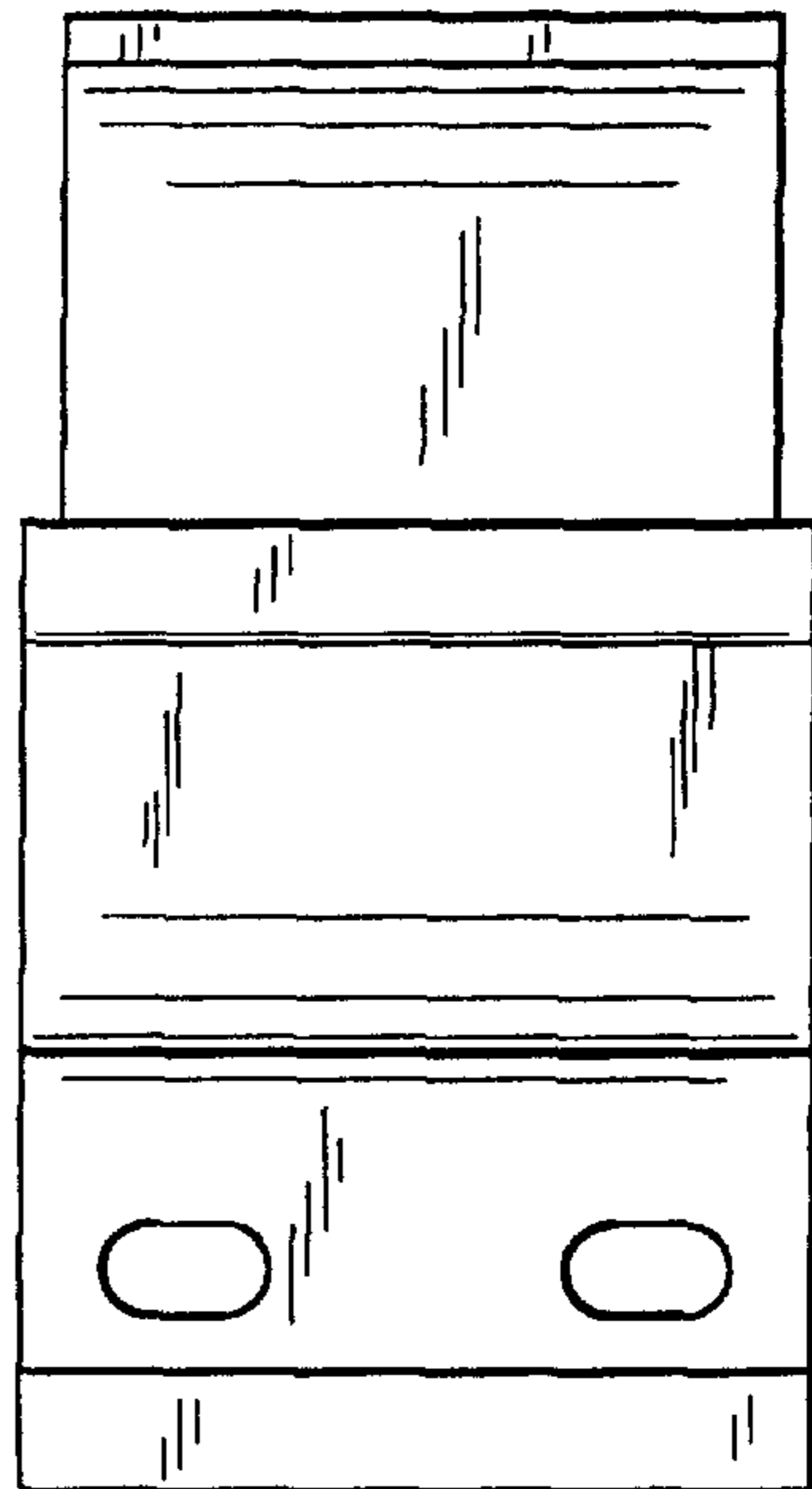


FIG. 6