



US00D410190S

United States Patent [19] Freck

[11] Patent Number: **Des. 410,190**

[45] Date of Patent: **** May 25, 1999**

[54] **LOCK**
[75] Inventor: **Lawrence L. Freck**, Crystal Lake, Ill.
[73] Assignee: **Royal Lock Corporation**, Wauconda, Ill.
[**] Term: **14 Years**

4,425,770 1/1984 Mentani et al. 70/252
4,637,667 1/1987 Reid et al. 312/217
4,715,201 12/1987 Craig 70/369
5,199,285 4/1993 Lin 70/220
5,249,443 10/1993 Anderson 70/370
5,251,467 10/1993 Anderson 70/370
5,265,455 11/1993 Grimmer 70/492
5,491,993 2/1996 Anderson 70/367

[21] Appl. No.: **29/088,545**
[22] Filed: **May 27, 1998**

FOREIGN PATENT DOCUMENTS

2120311 5/1982 United Kingdom E05B 9/08

[51] **LOC (6) Cl.** **08-07**
[52] **U.S. Cl.** **D8/331**
[58] **Field of Search** D8/331, 387, 312,
D8/384; 411/347, 352, 107, 108; 70/455,
452, 369, 220, 370, 367

OTHER PUBLICATIONS

Jan. 1, 1990, C.T. Johnson Enterprises Sales Literature.

Primary Examiner—Pamela Burgess
Attorney, Agent, or Firm—Michael, Best & Friedrich

[56] References Cited

[57] CLAIM

U.S. PATENT DOCUMENTS

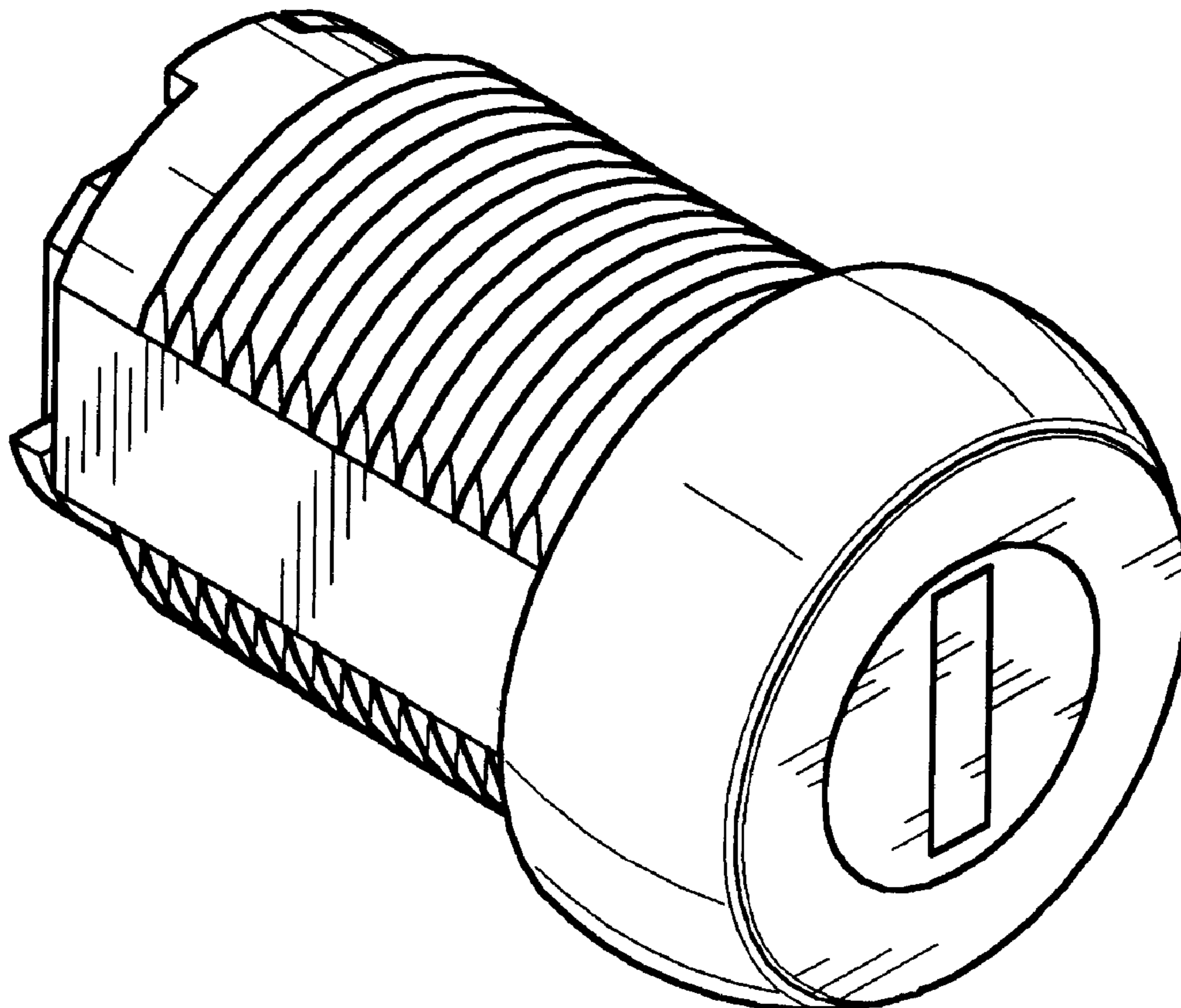
I claim the ornamental design for a lock, as shown and described.

D. 347,382	5/1994	Carruthers	D8/382
D. 352,887	11/1994	Schlack	D8/384
D. 361,501	8/1995	Myers	D8/331
D. 364,548	11/1995	Platt	D8/331
D. 364,550	11/1995	Myers	D8/331
D. 365,011	12/1995	Myers	D8/331
D. 371,952	7/1996	Evans	D8/331
D. 388,316	12/1997	McDonough et al.	D8/387
4,006,616	2/1977	Rubner et al.	70/455
4,239,309	12/1980	De Fouw et al.	312/221

DESCRIPTION

FIG. 1 is a perspective view;
FIG. 2 is a top view;
FIG. 3 is a side view, opposite from the side shown in FIG. 1; and,
FIG. 4 is a bottom view.

1 Claim, 1 Drawing Sheet



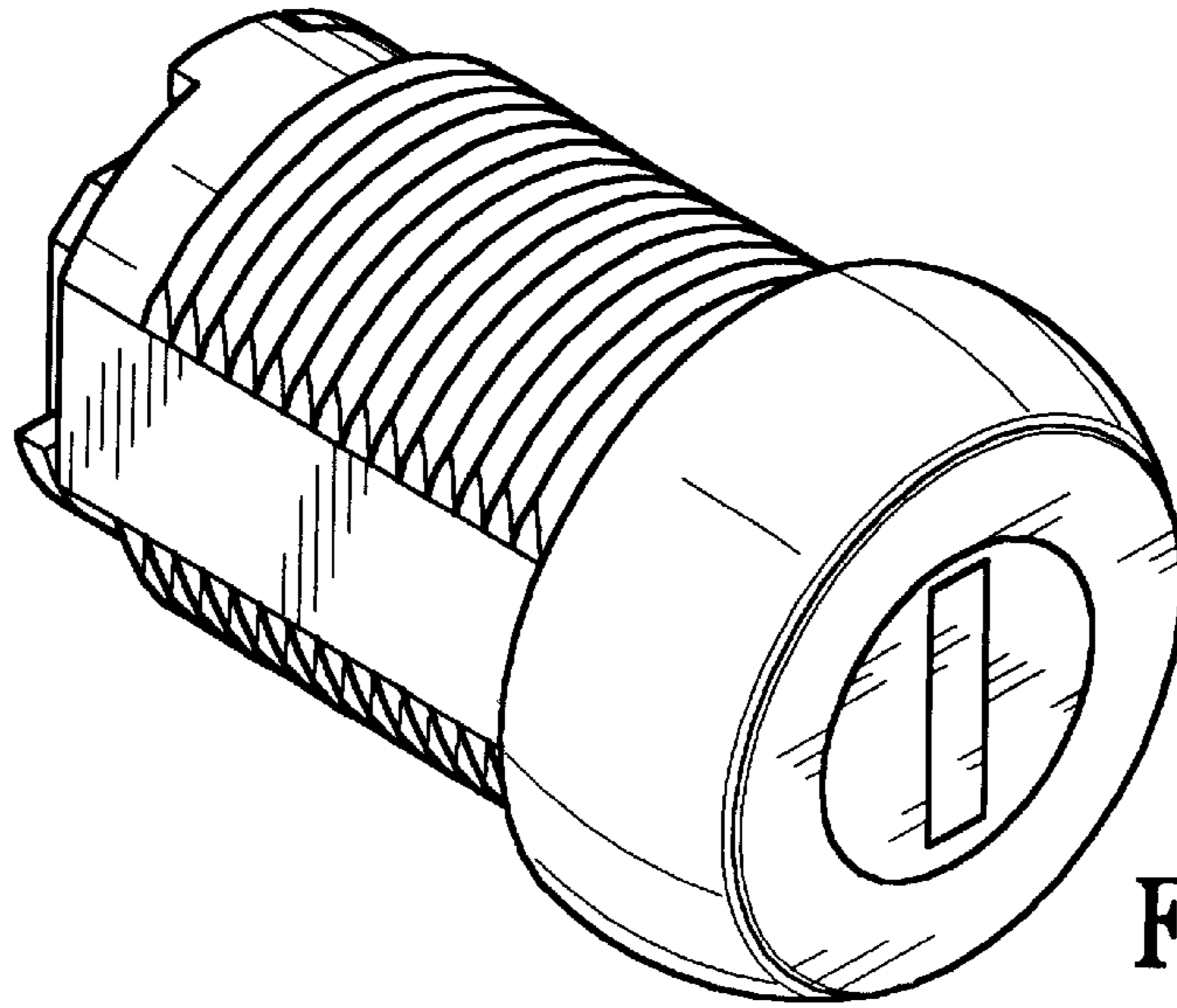


FIG. 1

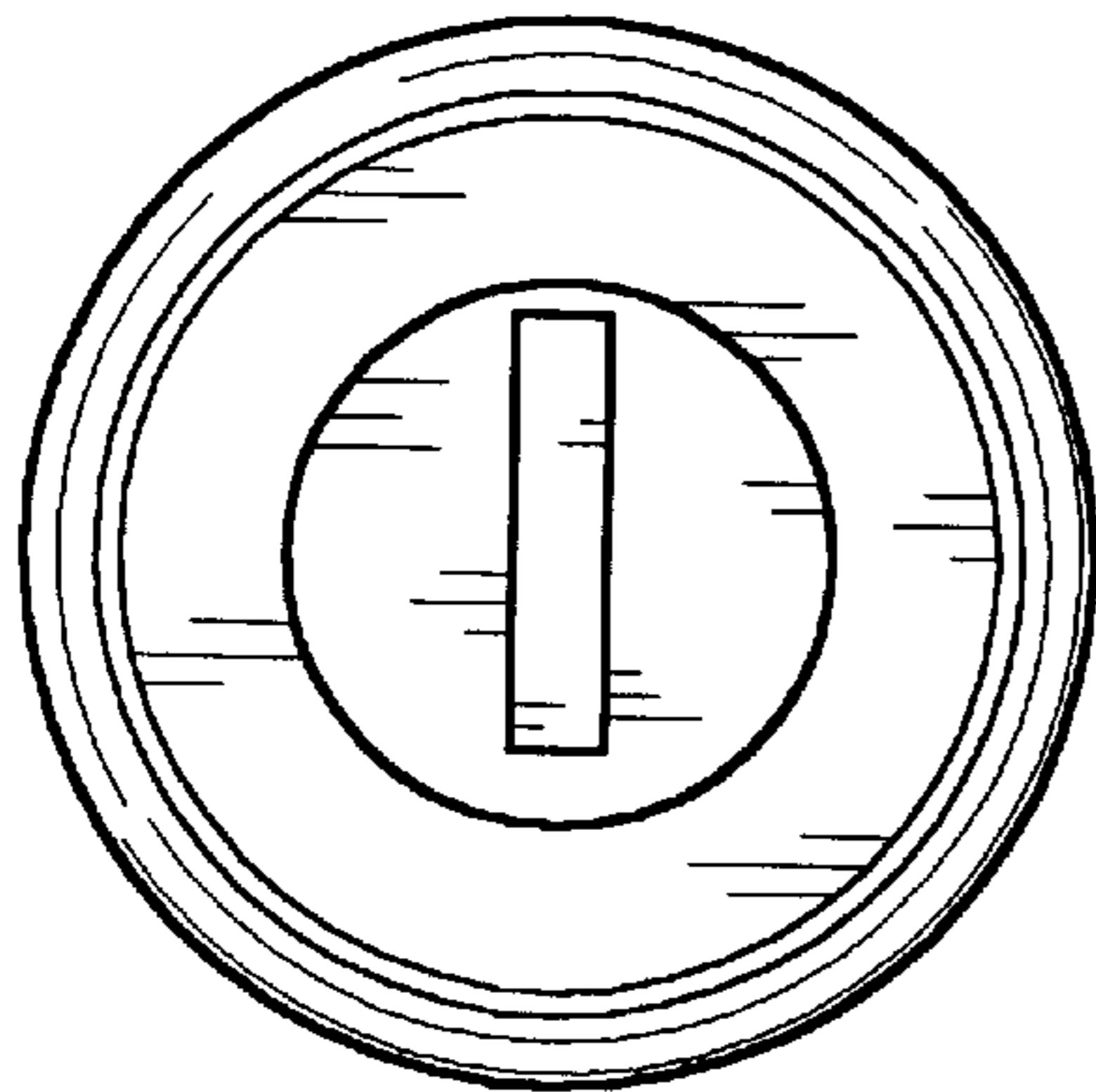


FIG. 2

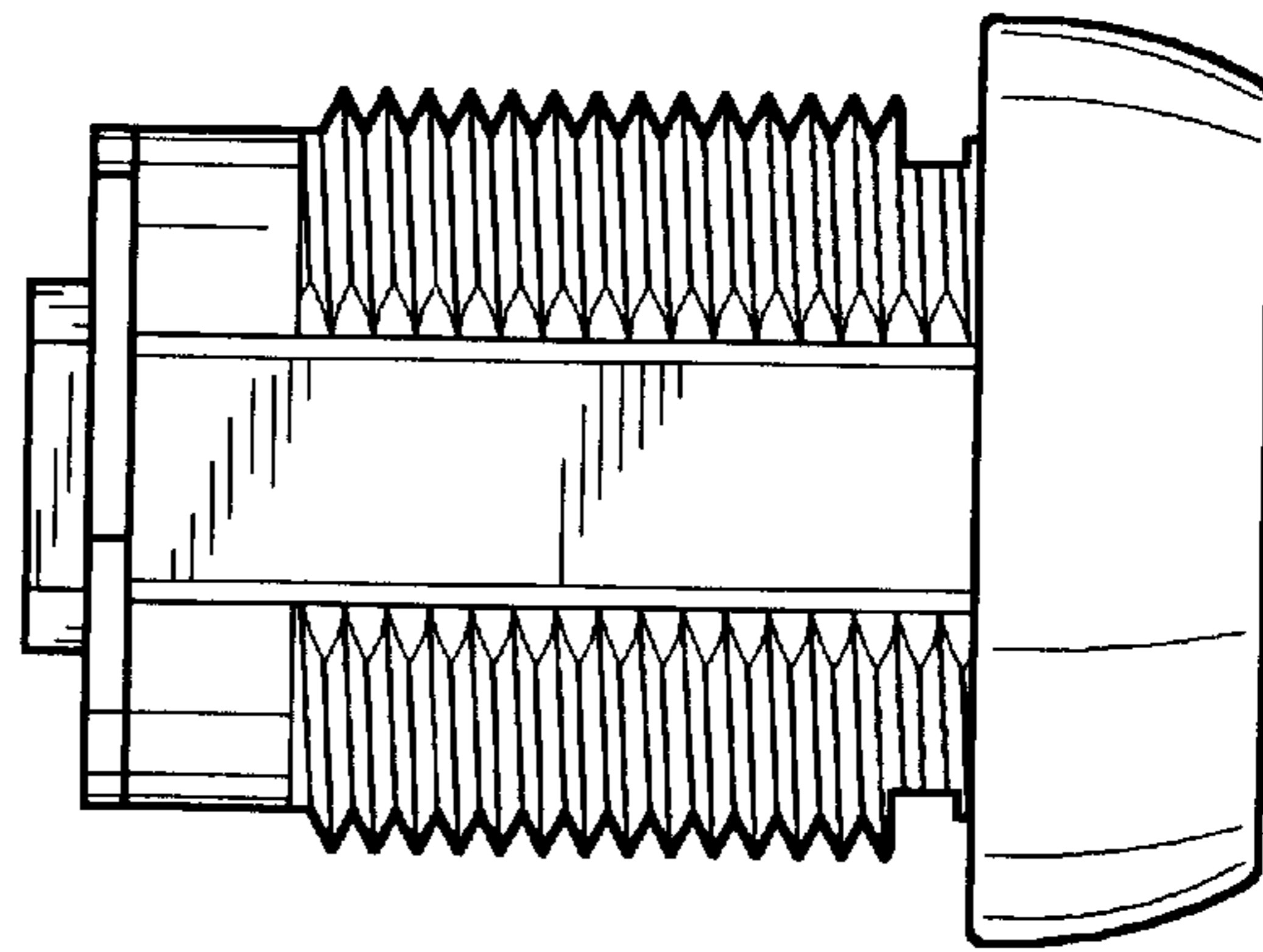


FIG. 3

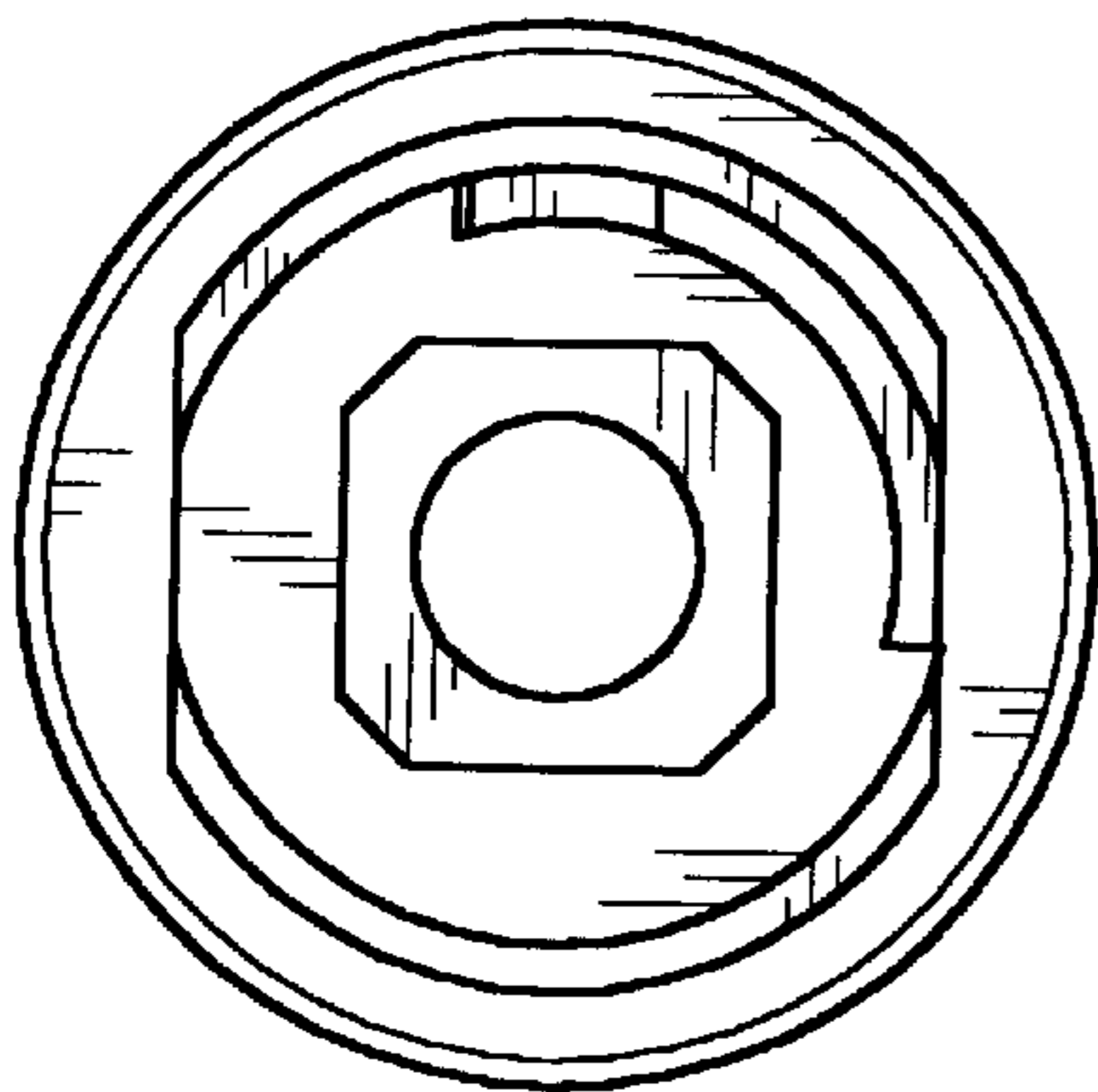


FIG. 4