



US00D410189S

United States Patent [19]

Wehrs et al.

[11] Patent Number: Des. 410,189

[45] Date of Patent: ** May 25, 1999

[54] KEYCHAIN KNIFE

[75] Inventors: James A. Wehrs, Tigard; David G. Looper, Tualatin, both of Oreg.

[73] Assignee: Fiskars Inc., Madison, Wis.

[**] Term: 14 Years

[21] Appl. No.: 29/086,133

[22] Filed: Apr. 6, 1998

[51] LOC (6) Cl. 08-03

[52] U.S. Cl. D8/105; D8/99

[58] Field of Search D8/98, 99, 105; D22/118; 30/125, 152, 153, 154, 155; 7/118, 158

2,270,655	1/1942	Keeran .	
2,497,587	2/1950	Corley .	
2,512,862	6/1950	Ingwer .	
2,591,655	4/1952	Foley .	
2,640,260	6/1953	Taylor et al. .	
2,735,176	2/1956	Costin .	
2,749,924	6/1956	Polincovsky .	
3,079,686	3/1963	Christy .	
3,370,307	2/1968	Beeks .	
4,203,208	5/1980	Tausendfreundt et al.	30/155
4,539,749	9/1985	Hyeong-Woon	30/147
4,592,140	6/1986	Chasen	30/123.7
5,511,261	4/1996	Collins	7/158
5,553,340	9/1996	Brown, Jr.	7/118
5,581,834	12/1996	Collins	7/118
5,584,123	12/1996	Chi	30/125

OTHER PUBLICATIONS

Smokey Mountain Knife Works Catalog, p. 48, SOG EZ Knives, 1996.

Special Projects Catalog, p. 38, Rescue Series Knives, 1994.

Primary Examiner—Philip S. Hyder
Attorney, Agent, or Firm—Foley & Lardner

[56] References Cited

U.S. PATENT DOCUMENTS

72,463	12/1867	Dean .	
95,964	10/1869	Zerbe .	
208,654	10/1878	Waldman et al. .	
235,726	12/1880	Benson .	
273,981	3/1883	Glover .	
285,304	9/1883	Pearson .	
D. 302,102	7/1989	Amagaya	D8/105
D. 308,462	6/1990	Komatsu	D8/105
310,439	1/1885	Kamak .	
315,148	4/1885	Kriz et al. .	
D. 318,070	7/1991	Amagaya	D8/105
D. 321,637	11/1991	Chan	D8/105
328,911	10/1885	Wood .	
470,777	3/1892	Billings .	
586,849	7/1897	Ibelli .	
1,187,842	6/1916	Kaas .	
1,230,724	6/1917	Kluft .	
1,259,603	3/1918	Conord .	
1,275,364	8/1918	Bassity .	
1,953,690	4/1934	Samways .	
1,960,130	5/1934	Trubel .	

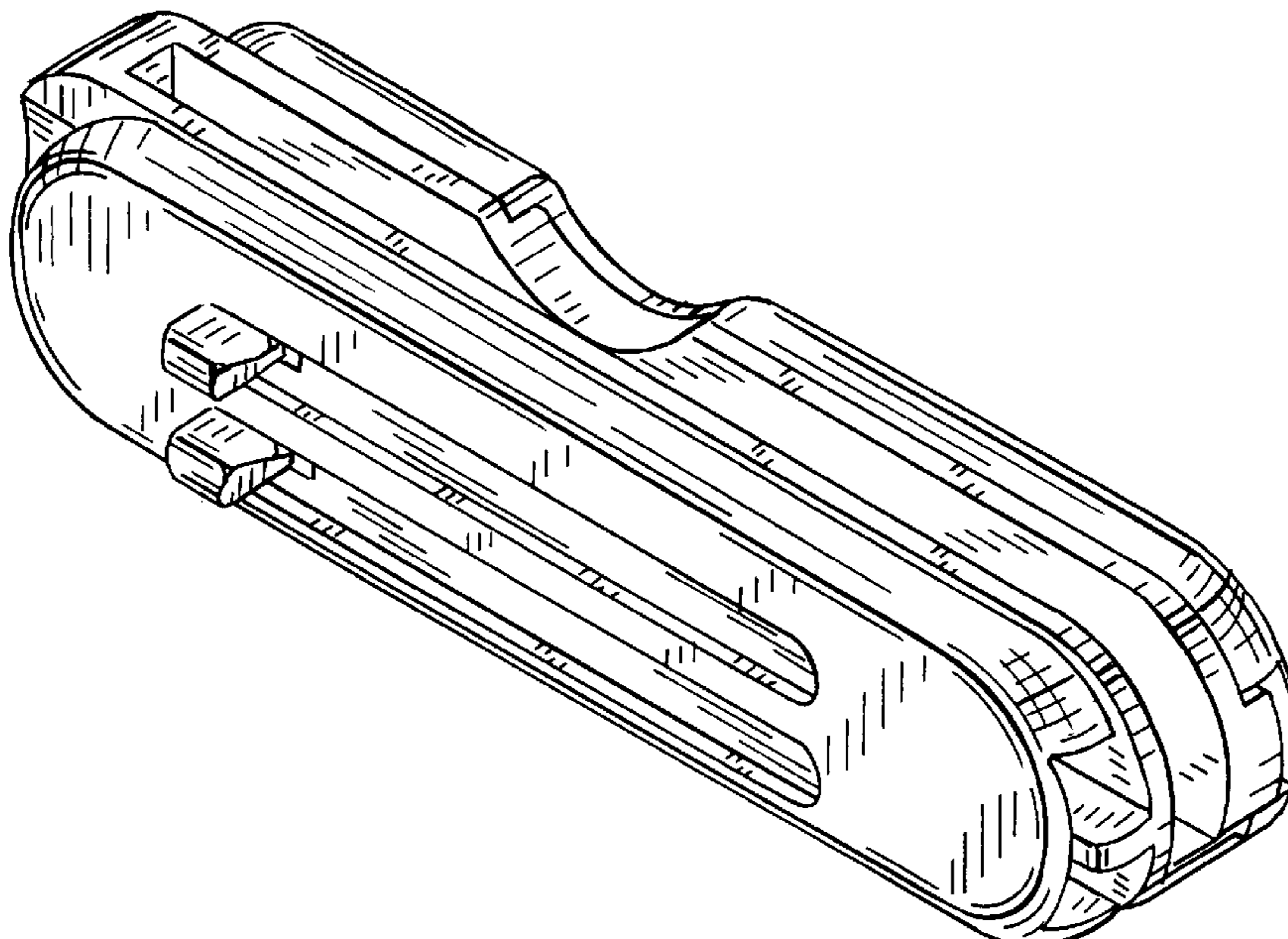
[57] CLAIM

The ornamental design for a keychain knife, as shown.

DESCRIPTION

FIG. 1 is a perspective view of a keychain knife in accordance with our new design;
FIG. 2 is a front elevational view thereof;
FIG. 3 is a top plan view thereof;
FIG. 4 is a right side elevational view thereof;
FIG. 5 is a rear elevational view thereof;
FIG. 6 is a left side elevational view thereof; and,
FIG. 7 is a bottom plan view thereof.
The broken lines showing further details of the keychain knife are for illustrative purposes only and form no part of the claimed design.

1 Claim, 2 Drawing Sheets



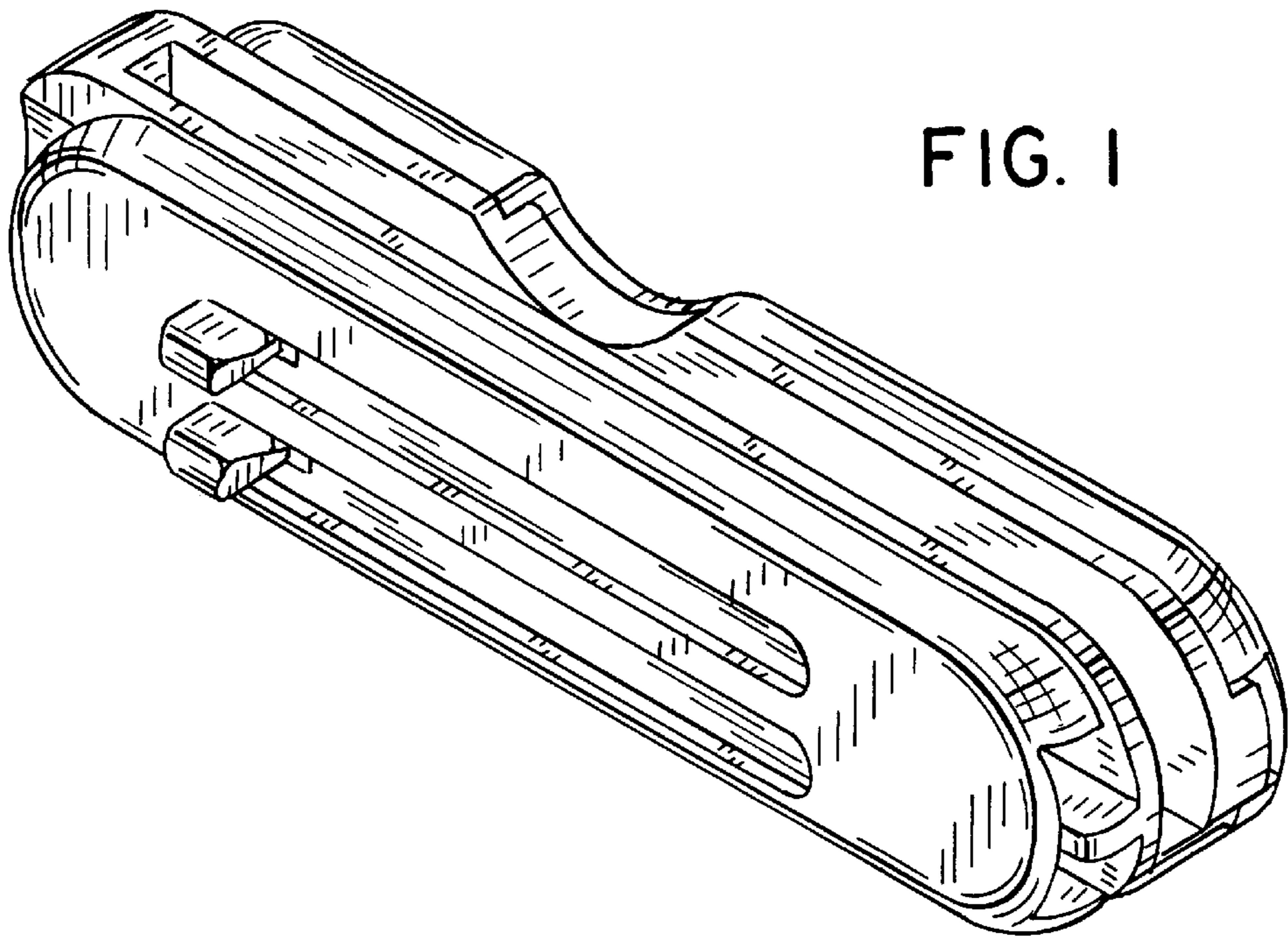


FIG. 1

FIG. 2

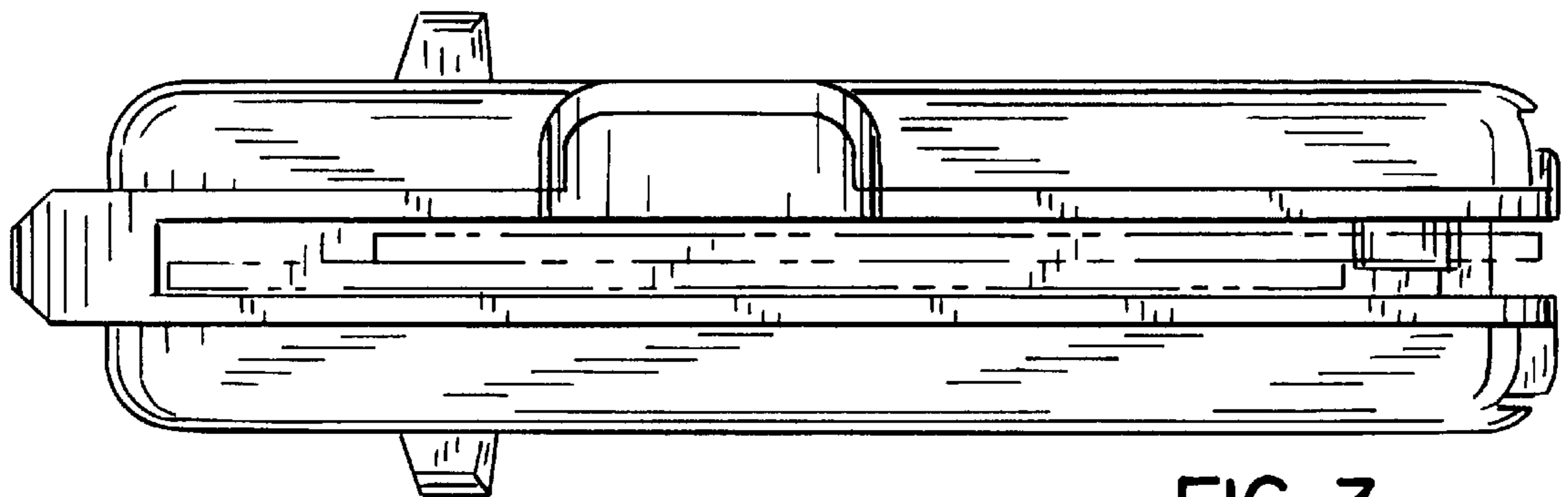
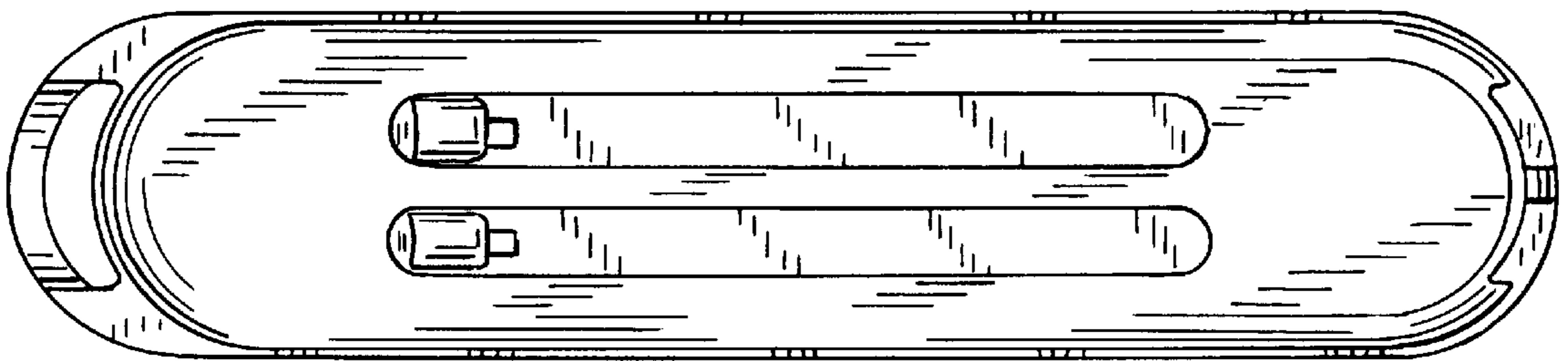


FIG. 3

FIG. 4

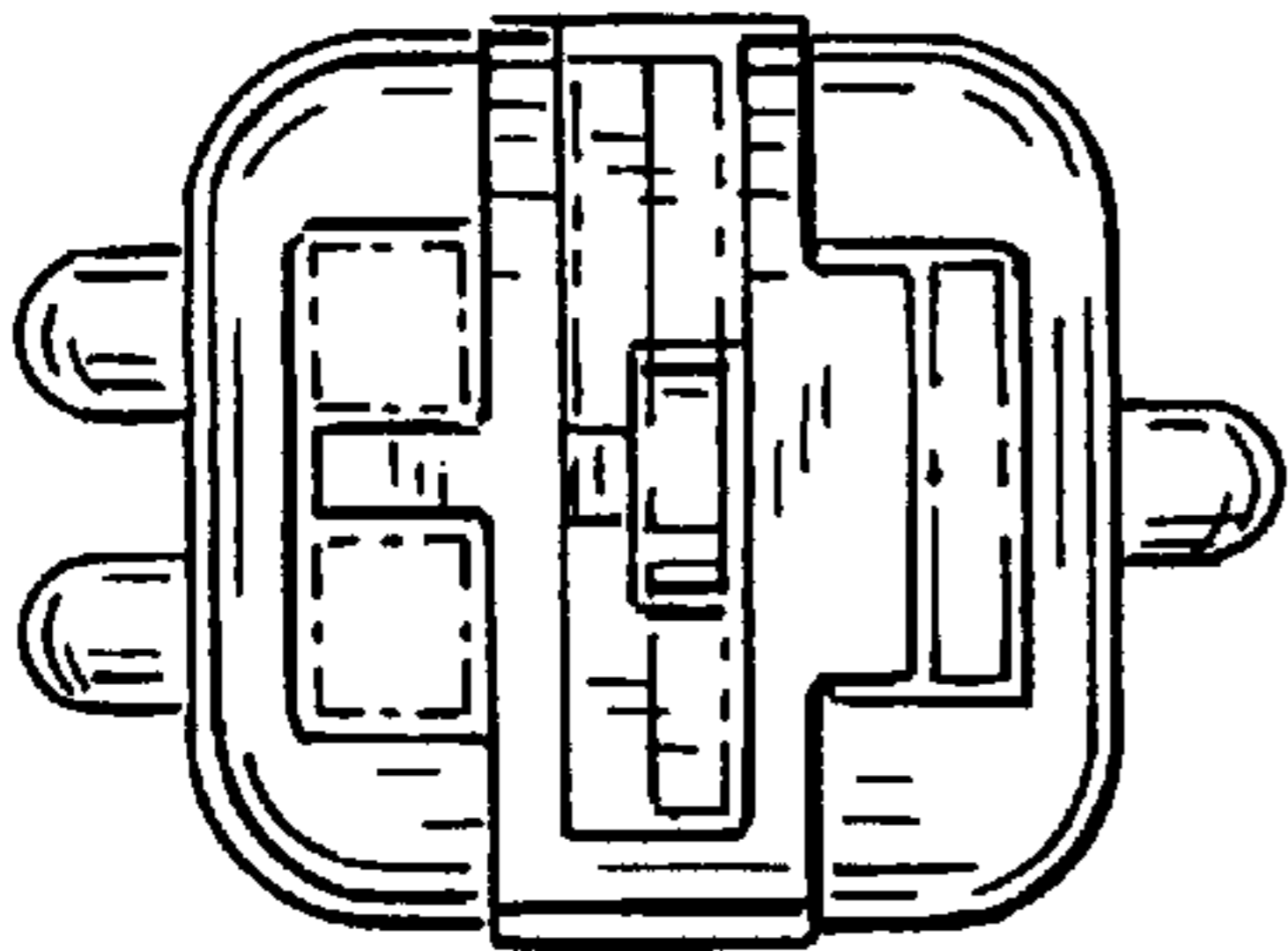


FIG. 6

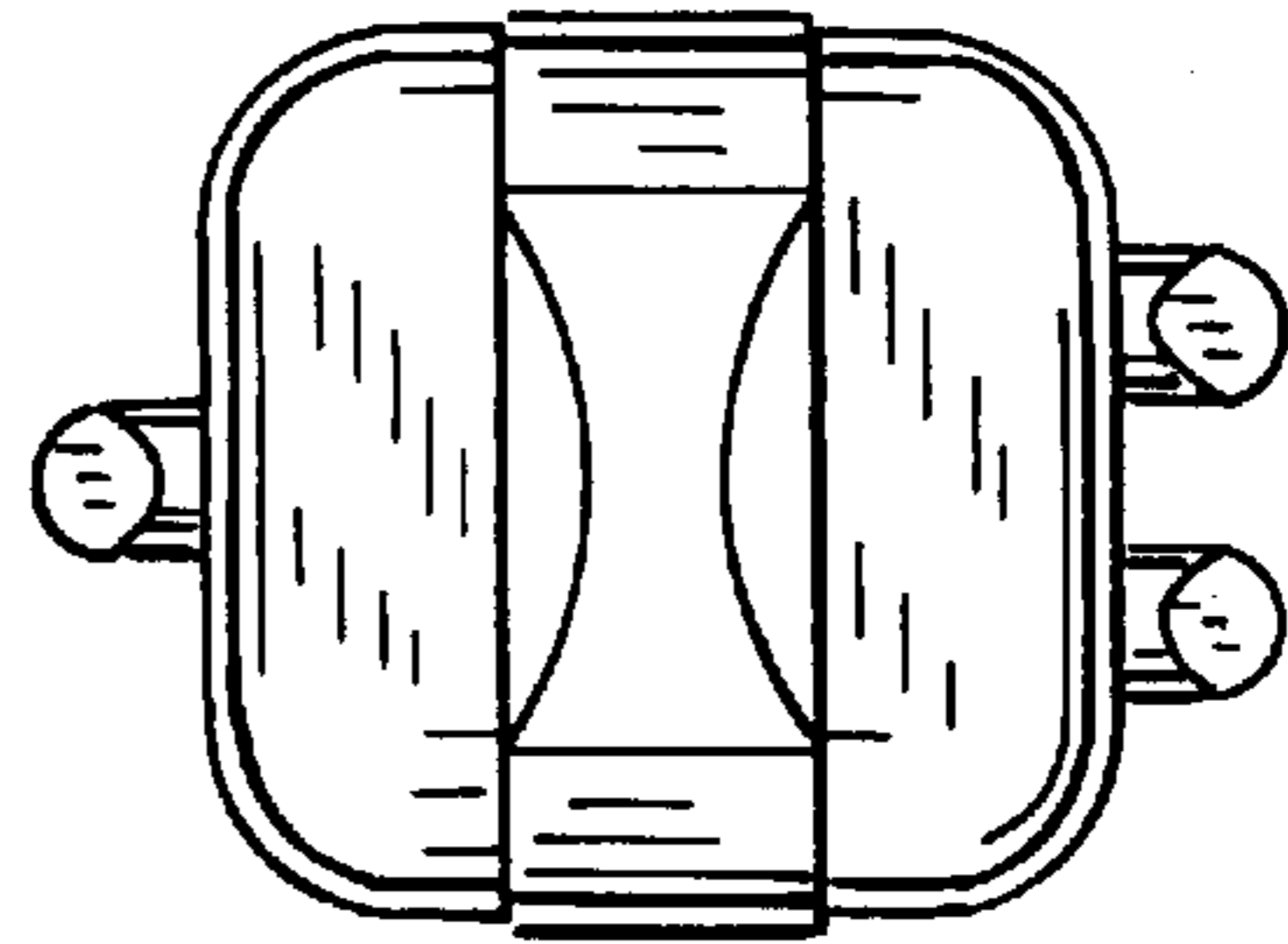


FIG. 5

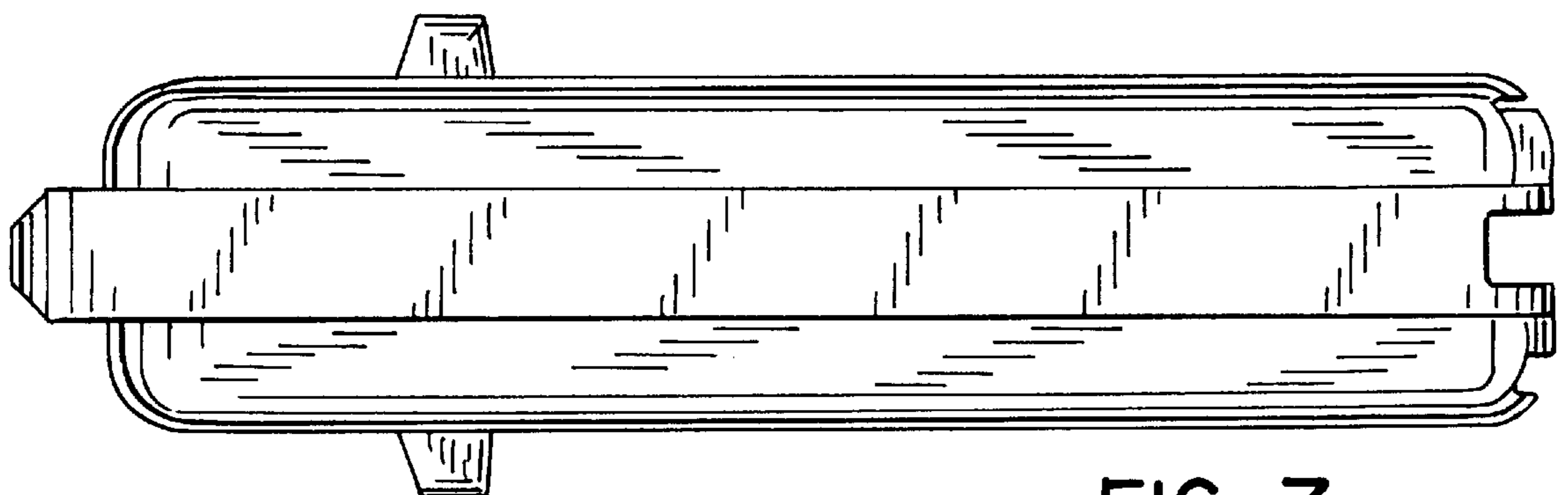


FIG. 7