



US00D410183S

United States Patent [19]
Thomson

[11] **Patent Number: Des. 410,183**

[45] **Date of Patent: ** May 25, 1999**

[54] **PORTABLE ELECTRIC JIG SAW**

[75] Inventor: **John Matthew Thomson**, Buford, Ga.

[73] Assignee: **Makita Corporation**, Aichi-ken, Japan

[**] Term: **14 Years**

[21] Appl. No.: **29/091,651**

[22] Filed: **Aug. 3, 1998**

[51] **LOC (6) Cl.** **08-03**

[52] **U.S. Cl.** **D8/69; D8/64**

[58] **Field of Search** **D8/61, 64, 68, D8/69; 30/272-273, 392, 393, 394**

[56] **References Cited**

U.S. PATENT DOCUMENTS

- D. 191,570 10/1961 Downs .
- D. 295,945 5/1988 Sakamoto et al. .
- D. 337,709 7/1993 Ogawa D8/64
- 3,204,470 9/1965 Bruckner .

OTHER PUBLICATIONS

German Design Gazette, published Oct. 10, 1996 and showing a jig saw granted under number M 96 00 855.

Primary Examiner—Nelson C. Holtje

Attorney, Agent, or Firm—Dennison, Meserole, Scheiner & Schultz

[57] **CLAIM**

The ornamental design for a portable electric jig saw, as shown and described.

DESCRIPTION

FIG. 1 is a perspective view of a portable electric jig saw showing my new design;

FIG. 2 is a front elevation view thereof;

FIG. 3 is a rear elevation view thereof;

FIG. 4 is a left side elevation view thereof;

FIG. 5 is a right side elevation view thereof;

FIG. 6 is a top plan view thereof;

FIG. 7 is a bottom plan view thereof;

FIG. 8 is a perspective view of a second embodiment of the portable electric jig saw shown in FIG. 1;

FIG. 9 is a front elevation view thereof;

FIG. 10 is a rear elevation view thereof;

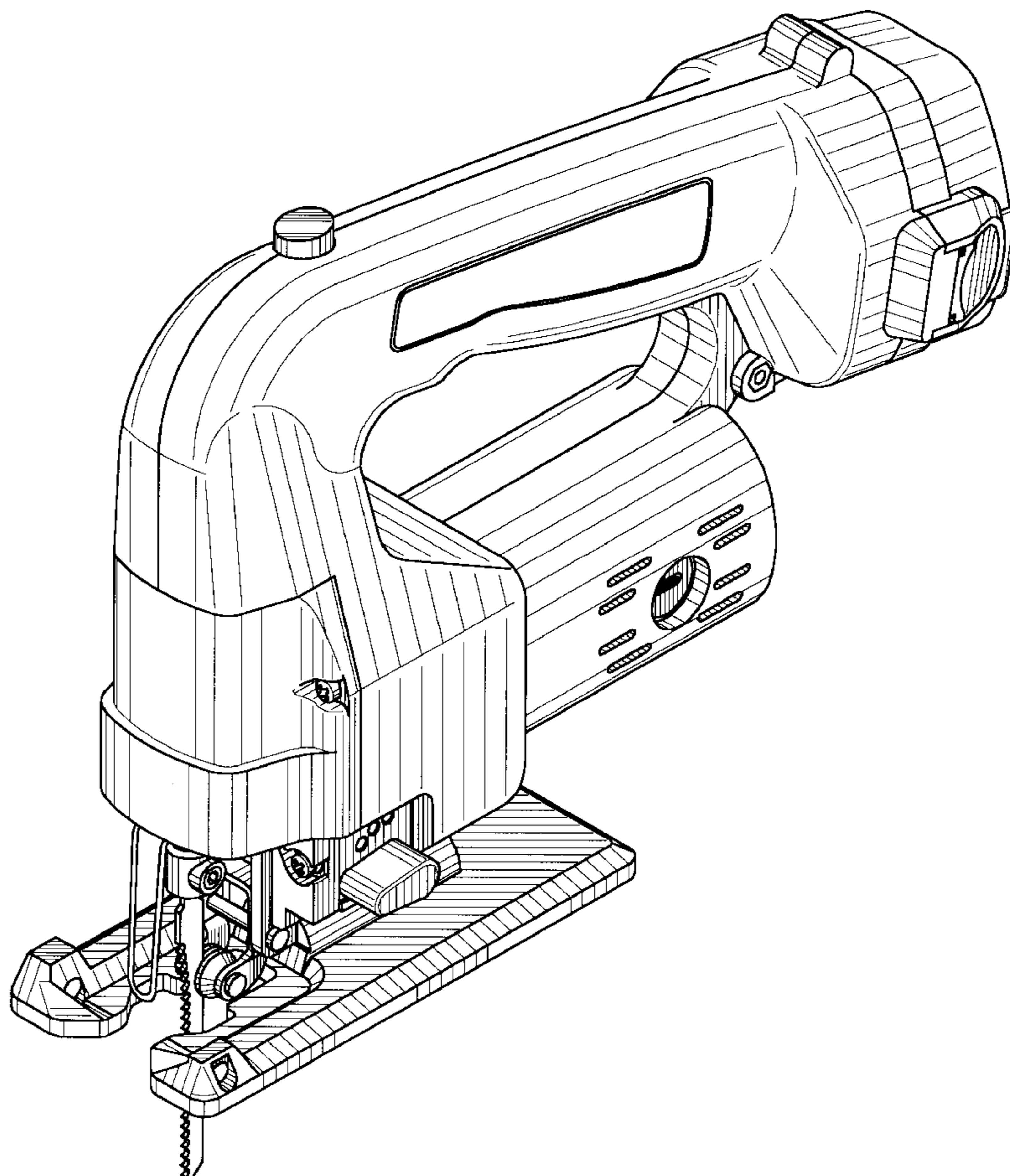
FIG. 11 is a left side elevation view thereof;

FIG. 12 is a right side elevation view thereof;

FIG. 13 is a top plan view thereof; and,

FIG. 14 is a bottom plan view thereof.

1 Claim, 10 Drawing Sheets



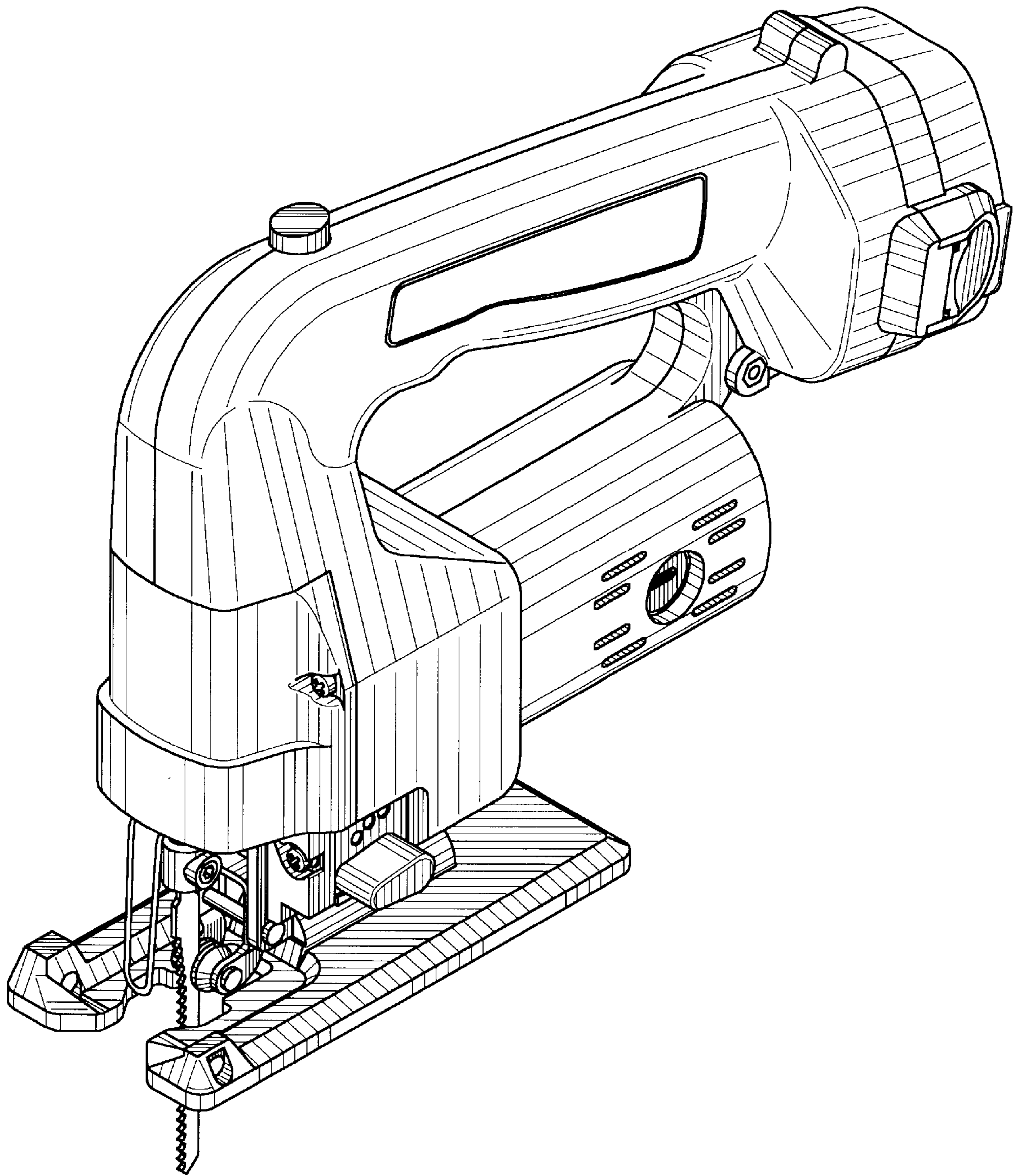


FIG. 1

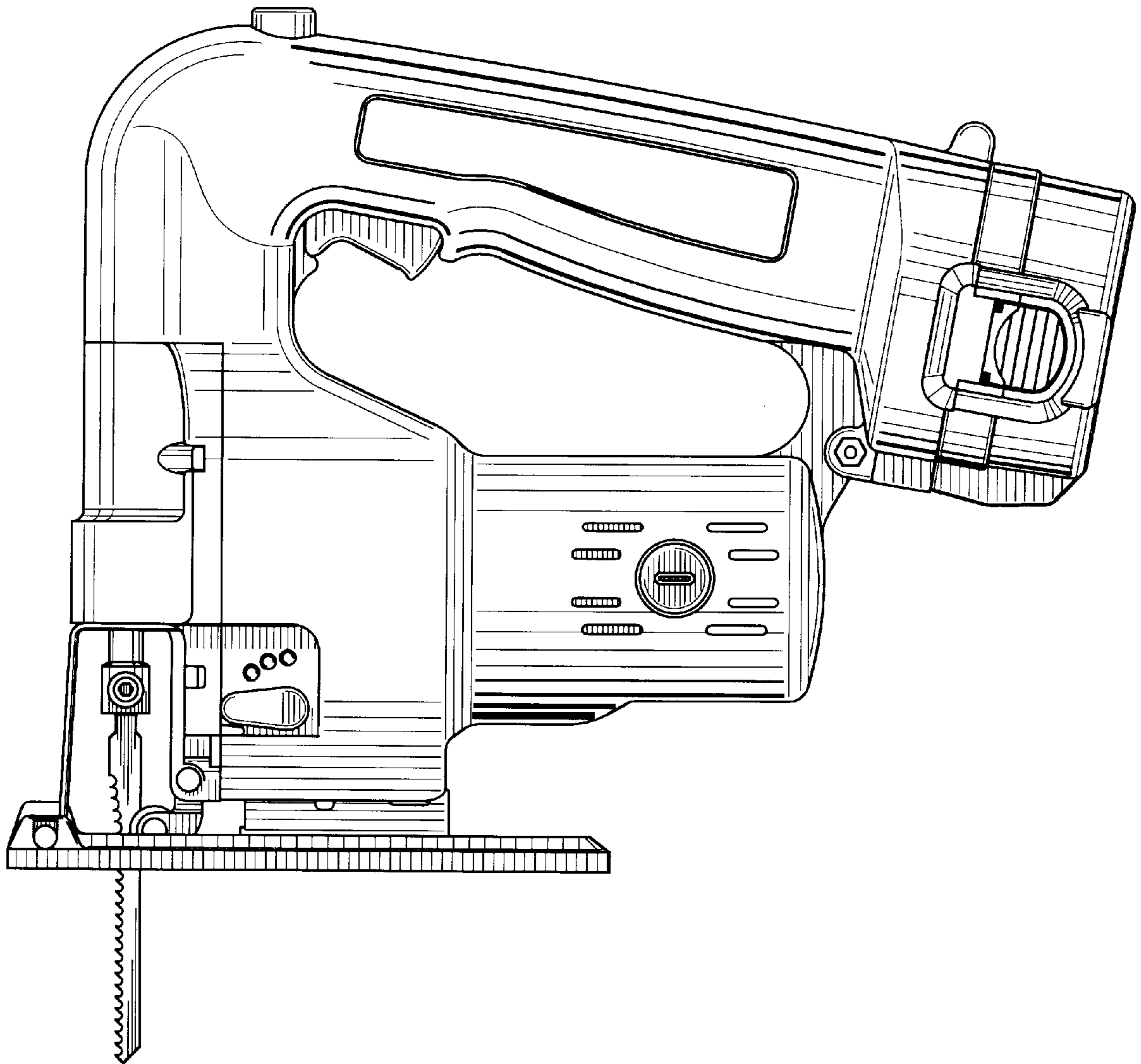


FIG. 2

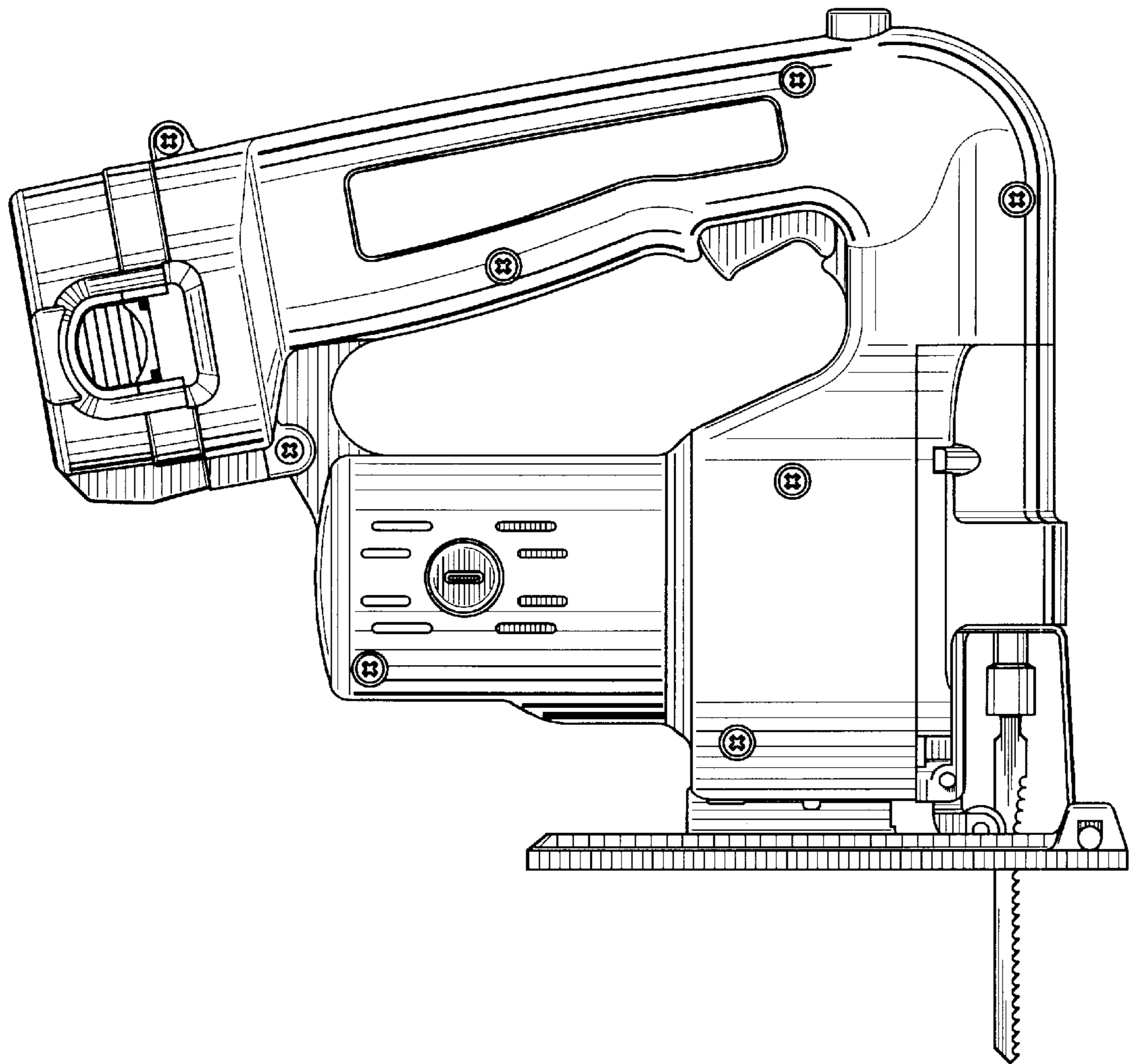


FIG. 3

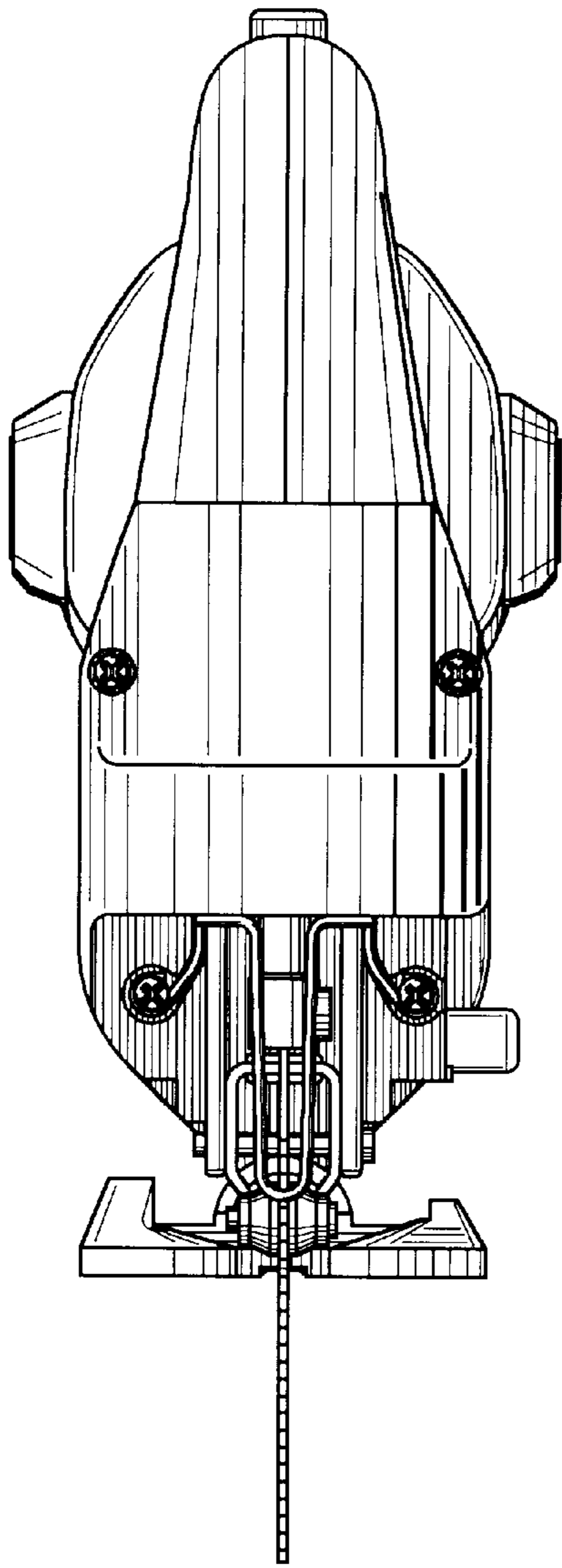


FIG. 4

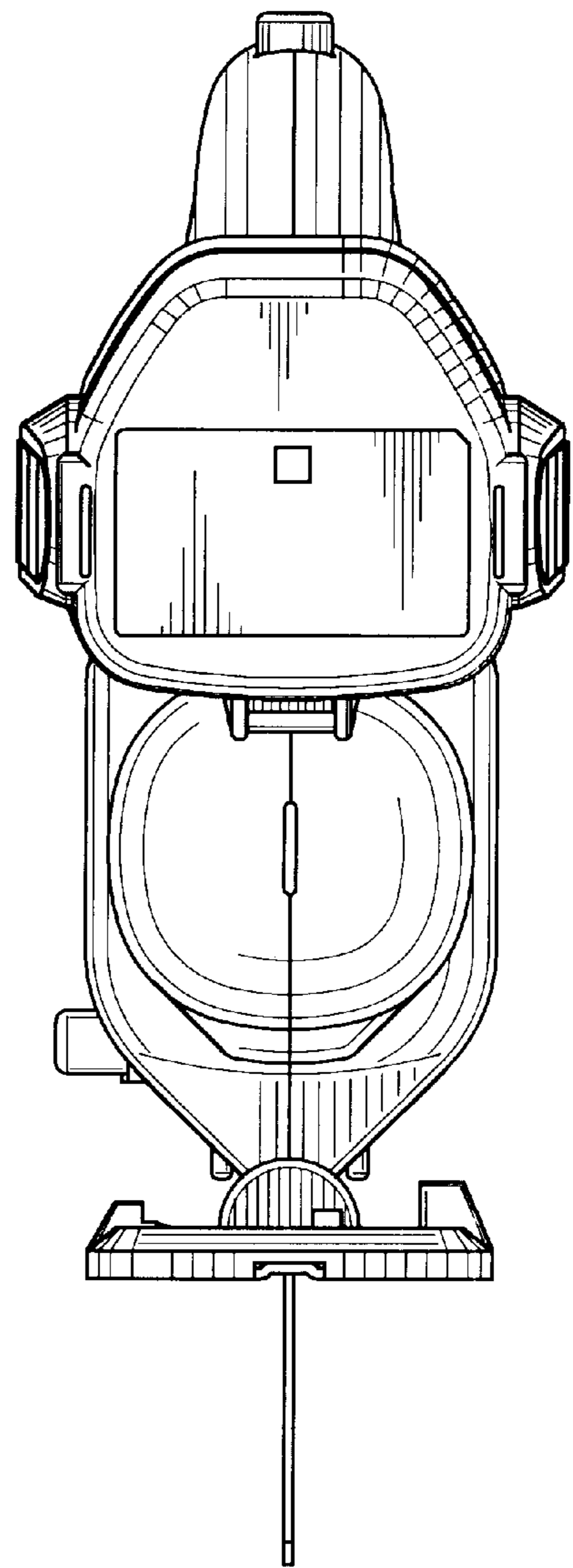


FIG. 5

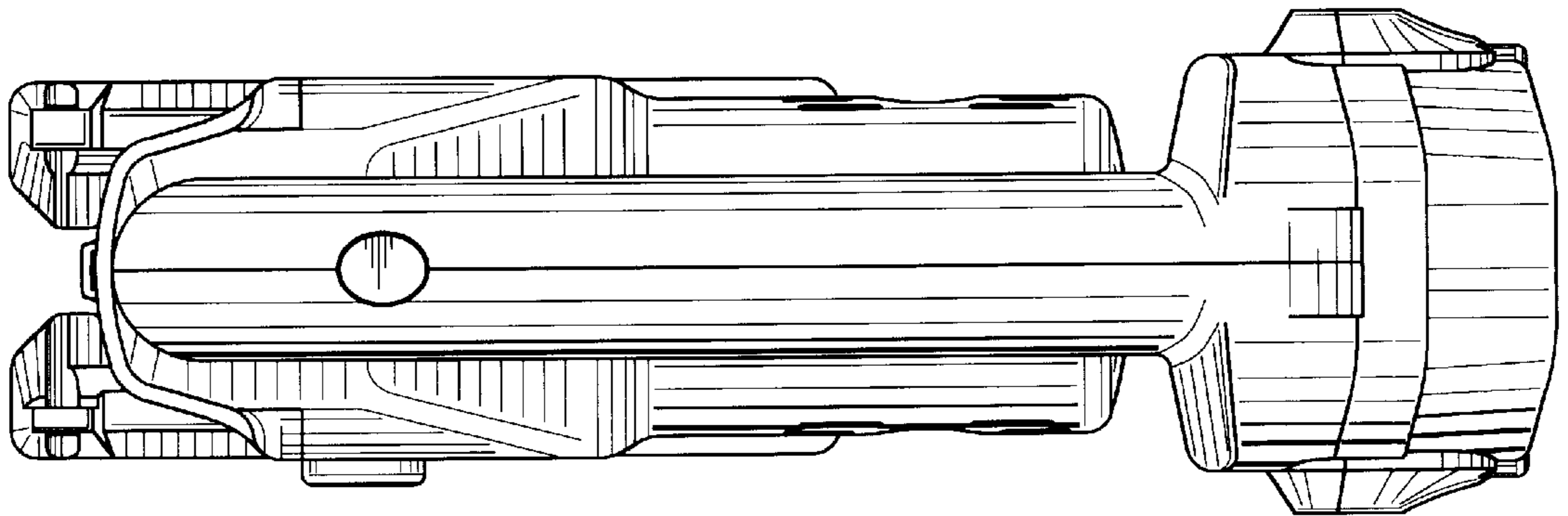


FIG. 6

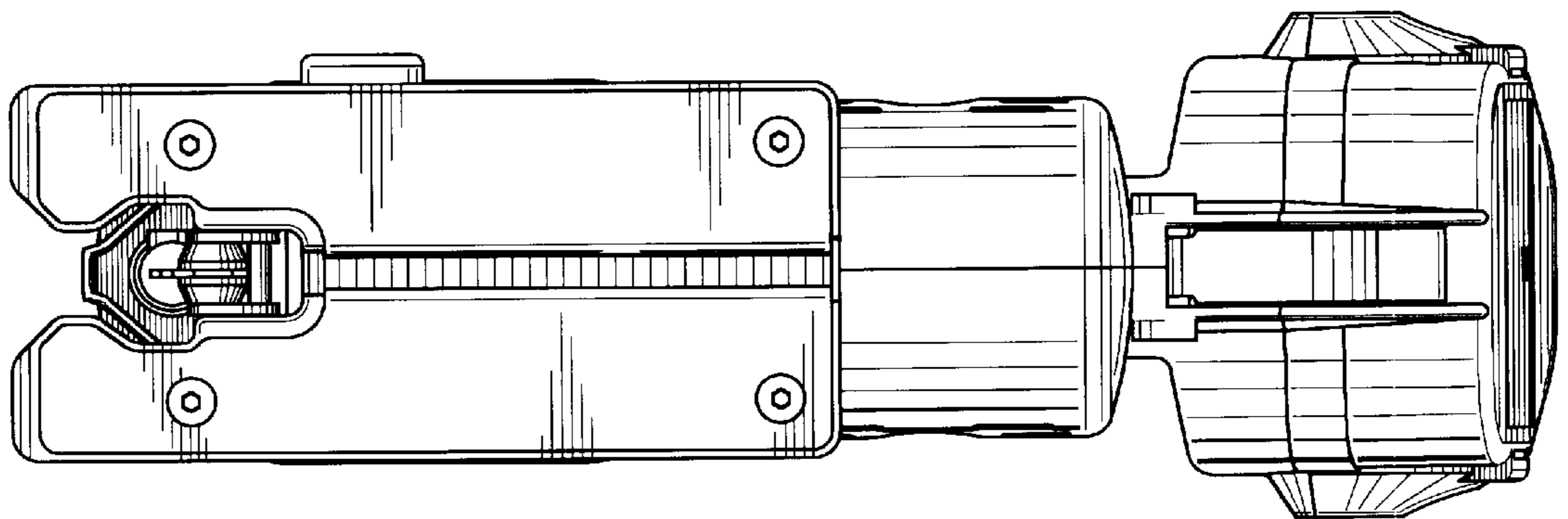


FIG. 7

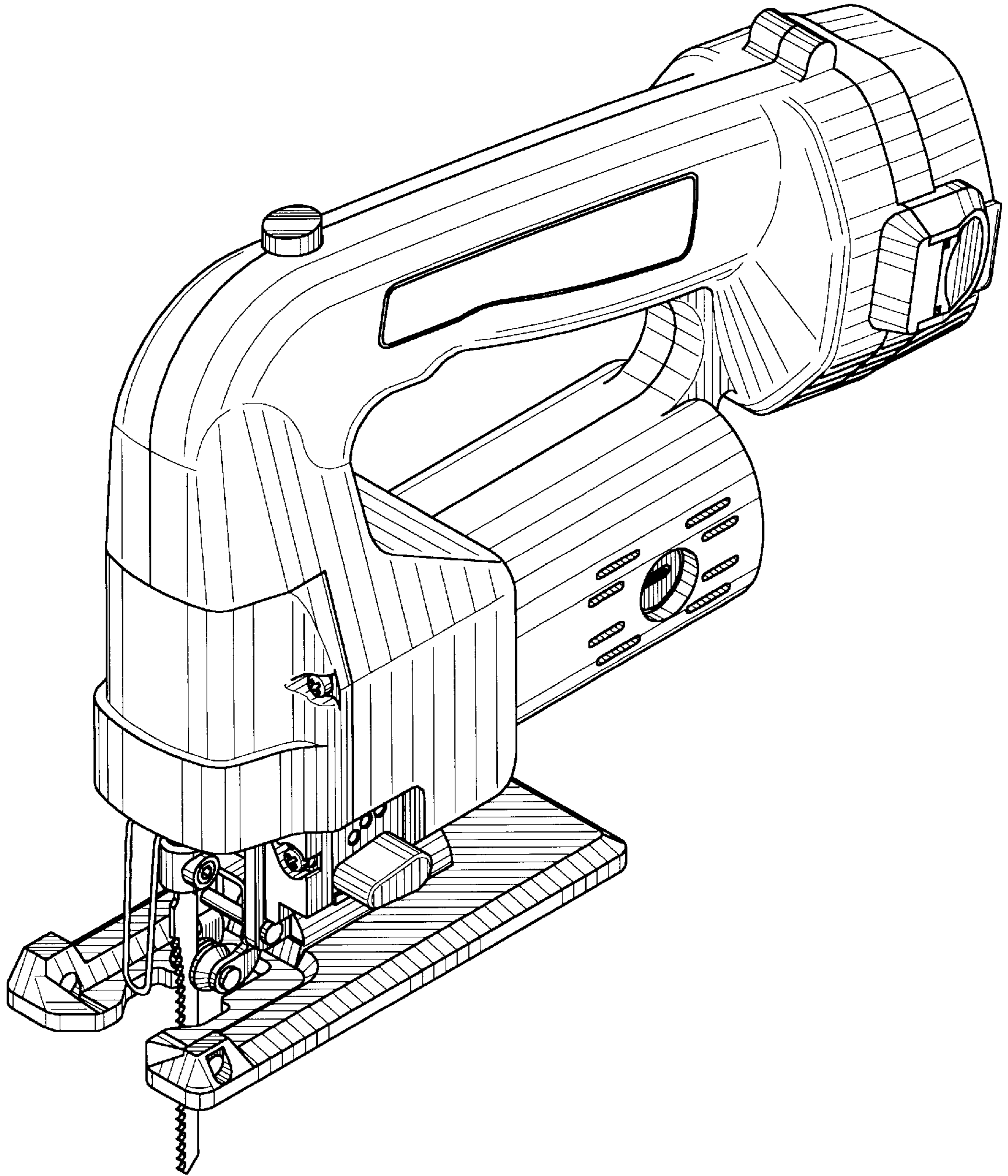


FIG. 8

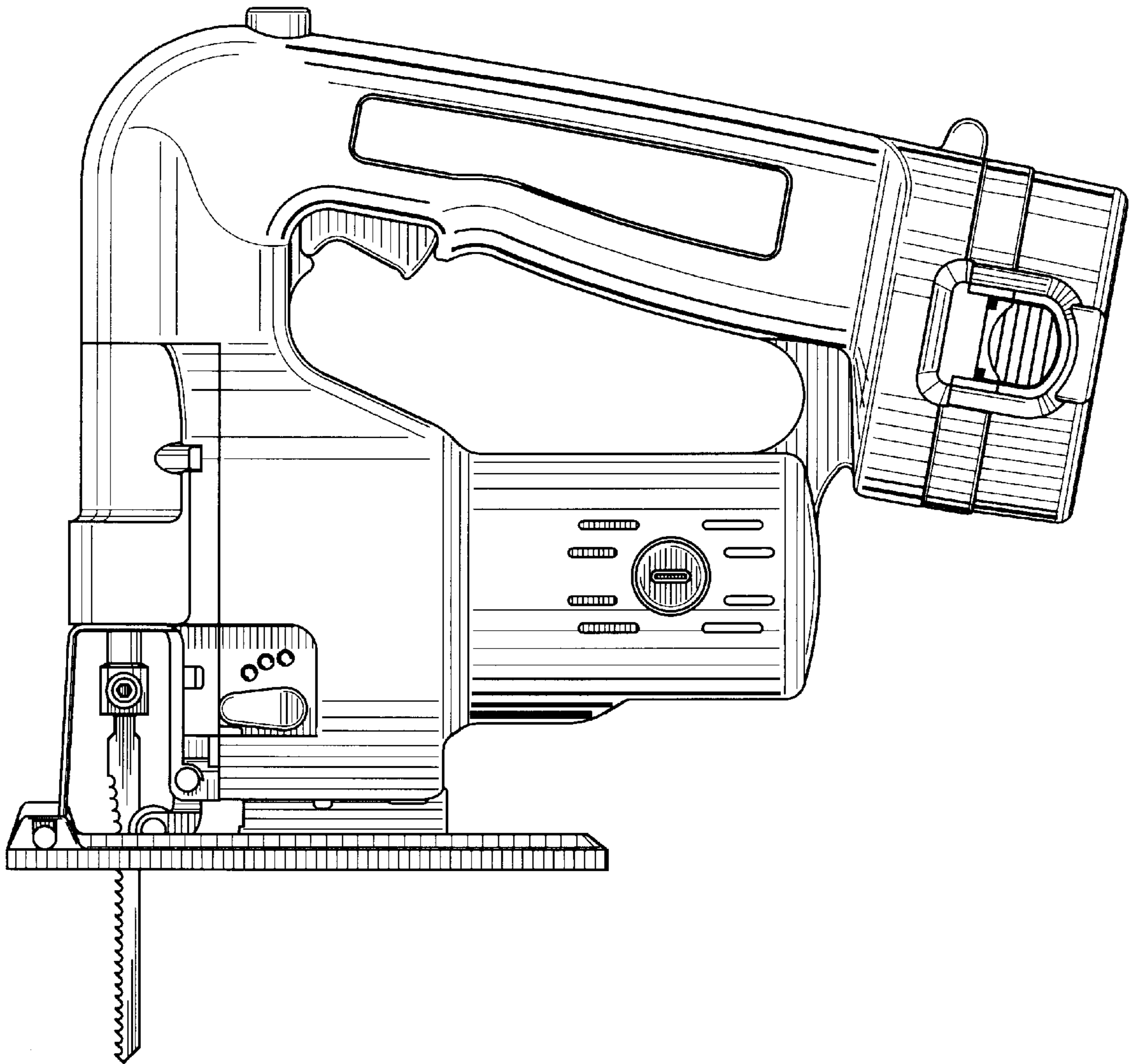


FIG. 9

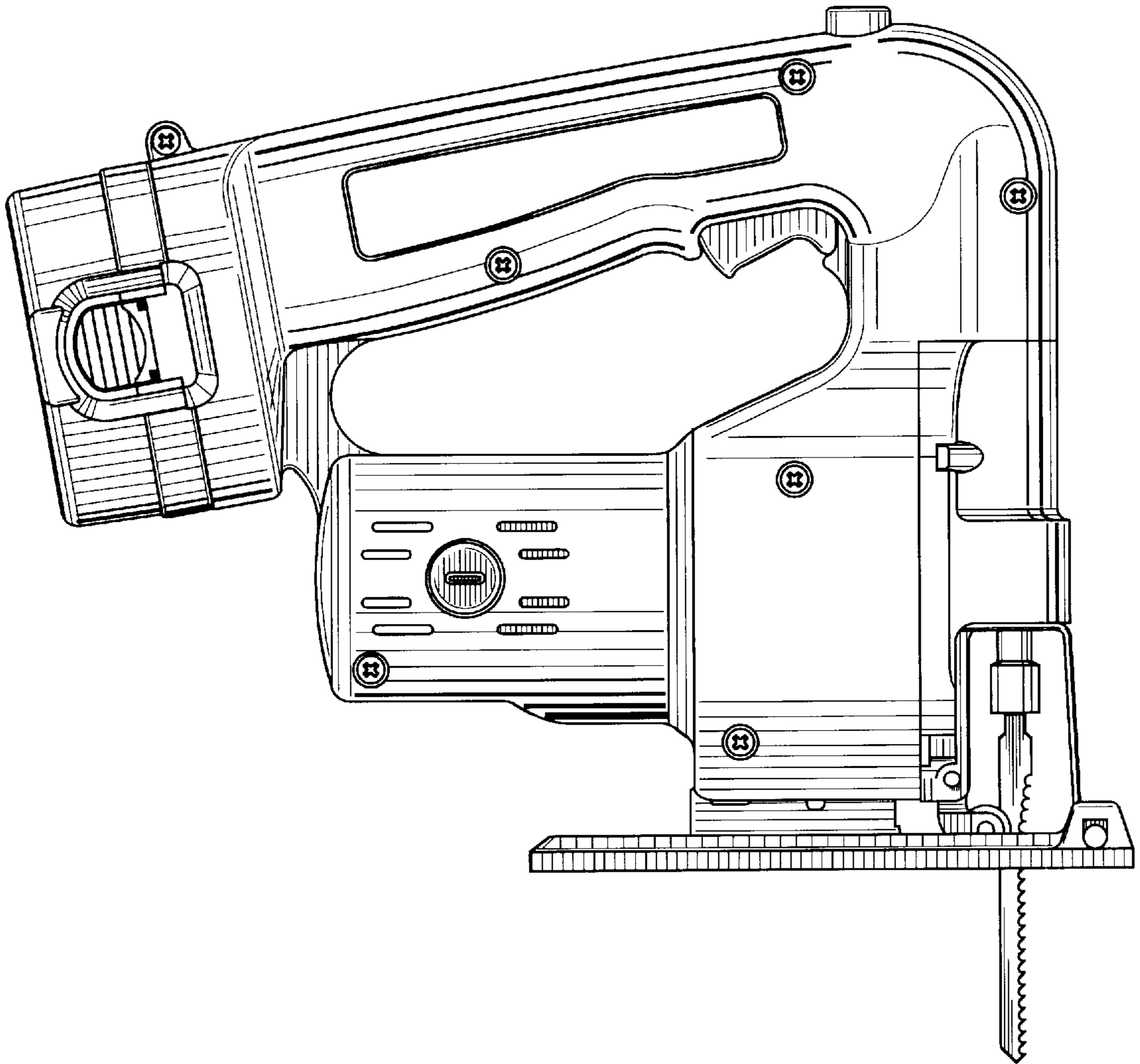


FIG. 10

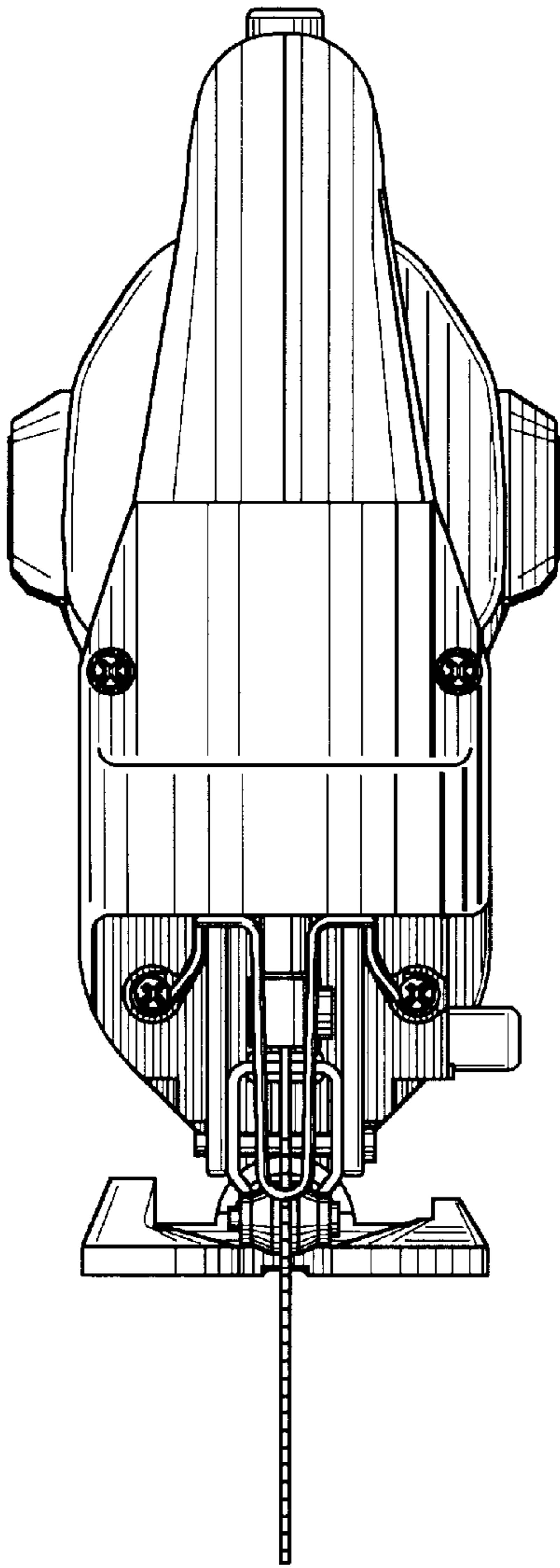


FIG. 11

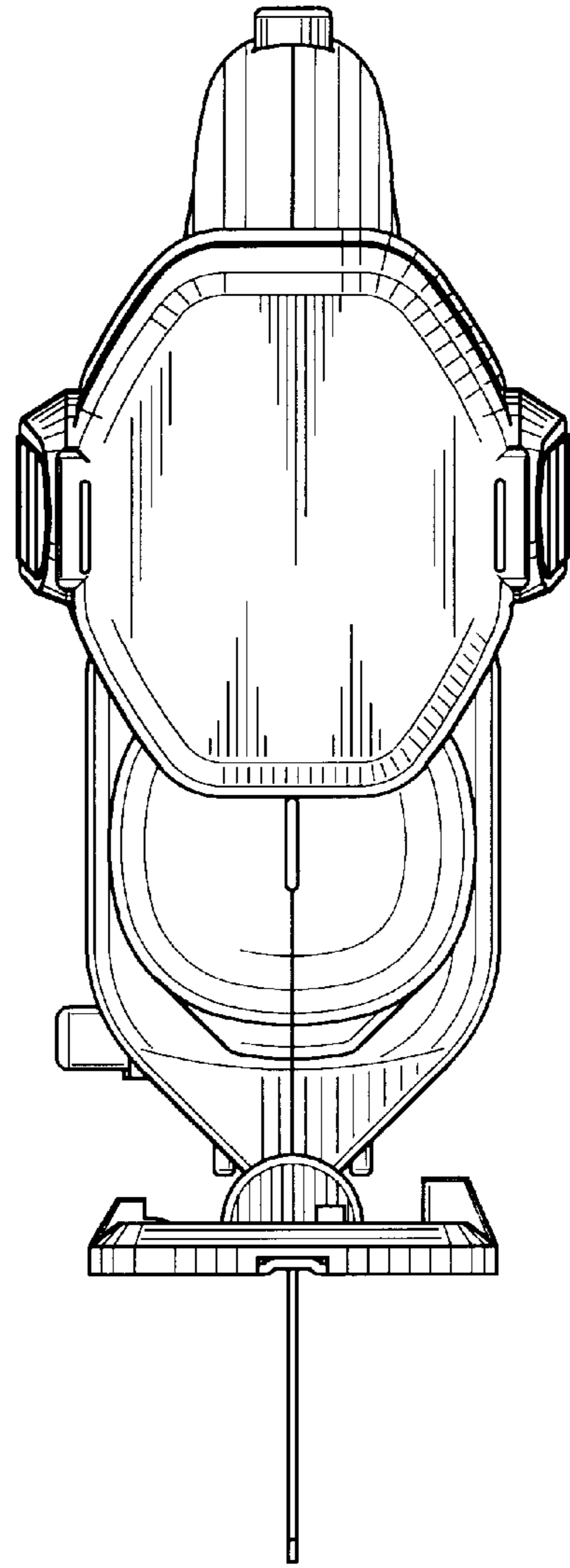


FIG. 12

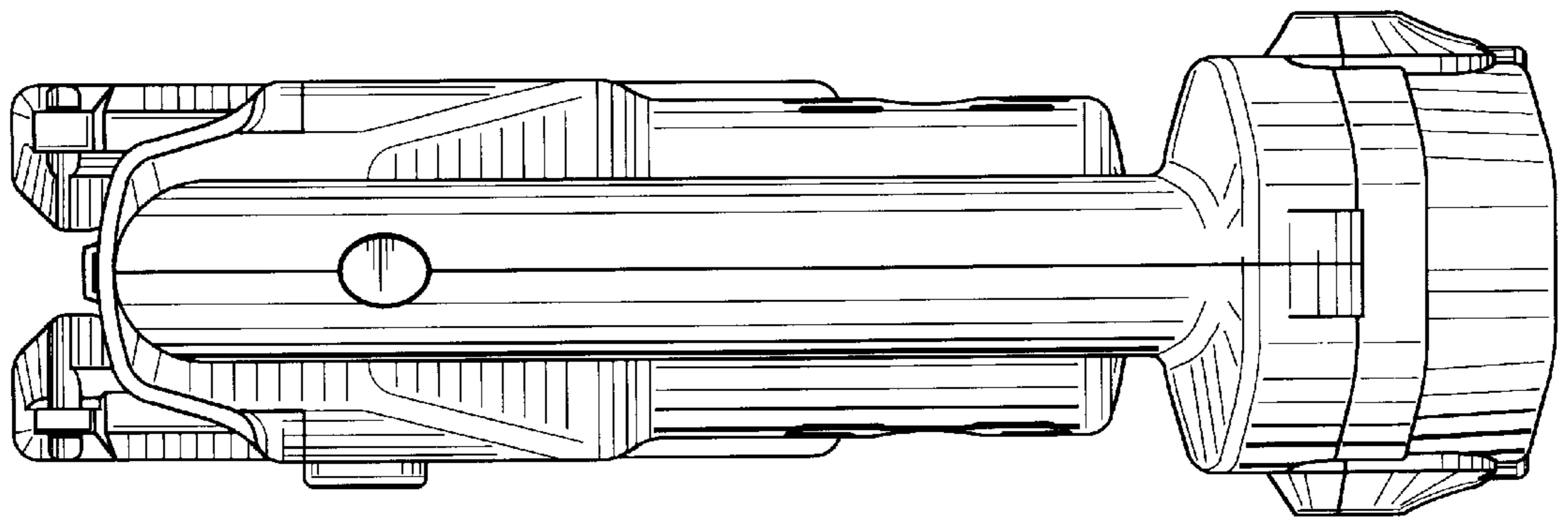


FIG. 13

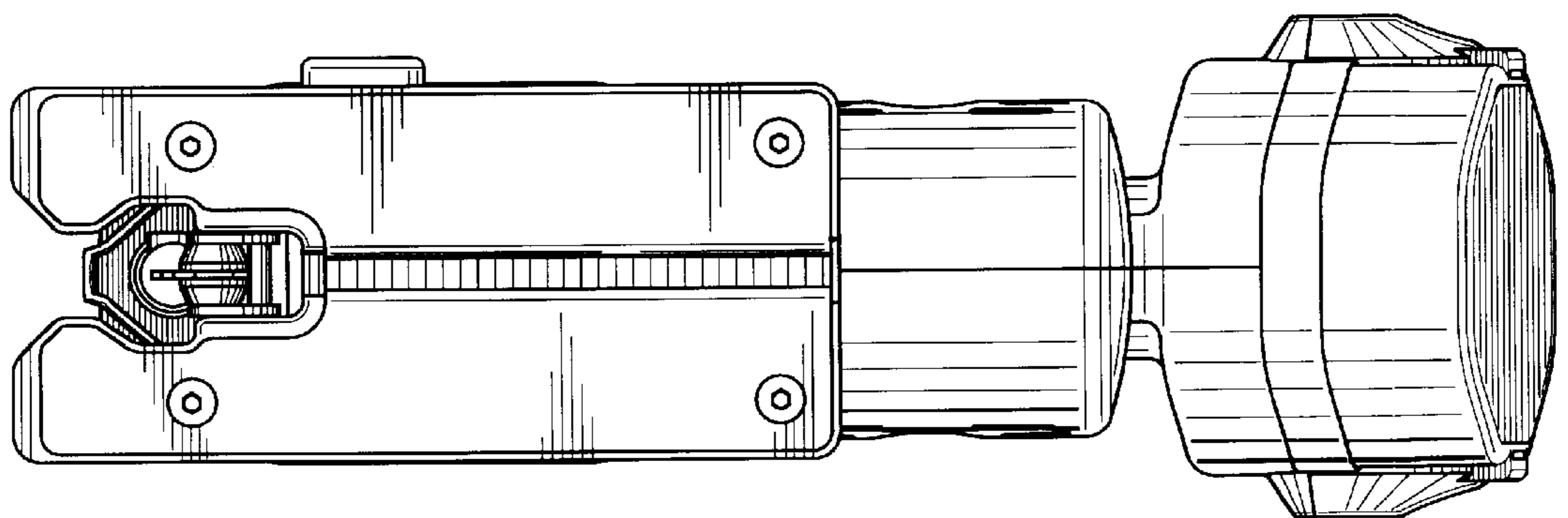


FIG. 14