



US00D410182S

# United States Patent [19]

Etter et al.

[11] Patent Number: Des. 410,182

[45] Date of Patent: \*\* May 25, 1999

[54] INTERNAL COMBUSTION FASTENER DRIVING TOOL

[75] Inventors: Mark A. Etter; James Pierce Nichols, Jr.; John Schnell; Donald Robert Bosten, all of Jackson, Tenn.

[73] Assignee: Porter-Cable Corporation, Jackson, Tenn.

[\*\*] Term: 14 Years

[21] Appl. No.: 29/081,376

[22] Filed: Dec. 31, 1997

[51] LOC (6) Cl. .... 08-05

[52] U.S. Cl. .... D8/69

[58] Field of Search ..... D8/61, 68, 69; 227/8, 10, 109, 123, 130

### [56] References Cited

#### U.S. PATENT DOCUMENTS

Re. 29,527	1/1978	Ramspeck et al. .	
Re. 30,617	5/1981	Butler et al. .	
Re. 32,452	7/1987	Nikolich .	
Re. 33,098	10/1989	Center .	
D. 219,259	11/1970	Perkins .....	D8/61
D. 260,354	8/1981	Proops .....	D8/61
D. 332,561	1/1993	Fushiya .....	D8/69
D. 338,818	8/1993	Katsuha .....	D8/62
D. 377,590	1/1997	Lai .....	D8/68
D. 396,178	7/1998	Hattori .....	D8/68
3,215,324	11/1965	Dorney .	
3,253,760	5/1966	Doyle .	
3,967,771	7/1976	Smith .	
3,973,708	8/1976	Scotoni .	
4,188,858	2/1980	Plunkett .	
4,200,213	4/1980	Liesse .	
4,227,591	10/1980	Klaus et al. .	

(List continued on next page.)

#### FOREIGN PATENT DOCUMENTS

0 727 285 A1	8/1996	European Pat. Off. .
0 738 565 A1	10/1996	European Pat. Off. .
0 765 715 A1	4/1997	European Pat. Off. .

40 32 201 A 1	4/1992	Germany .
42 43 617 A 1	6/1994	Germany .
42 43 618 A 1	6/1994	Germany .
675222 A5	9/1990	Switzerland .
2 024 691	1/1980	United Kingdom .
WO 96/39281	12/1996	WIPO .

Primary Examiner—Nelson C. Holtje  
Attorney, Agent, or Firm—Merchant, Gould, Smith, Edell, Welter & Schmidt, P.A.

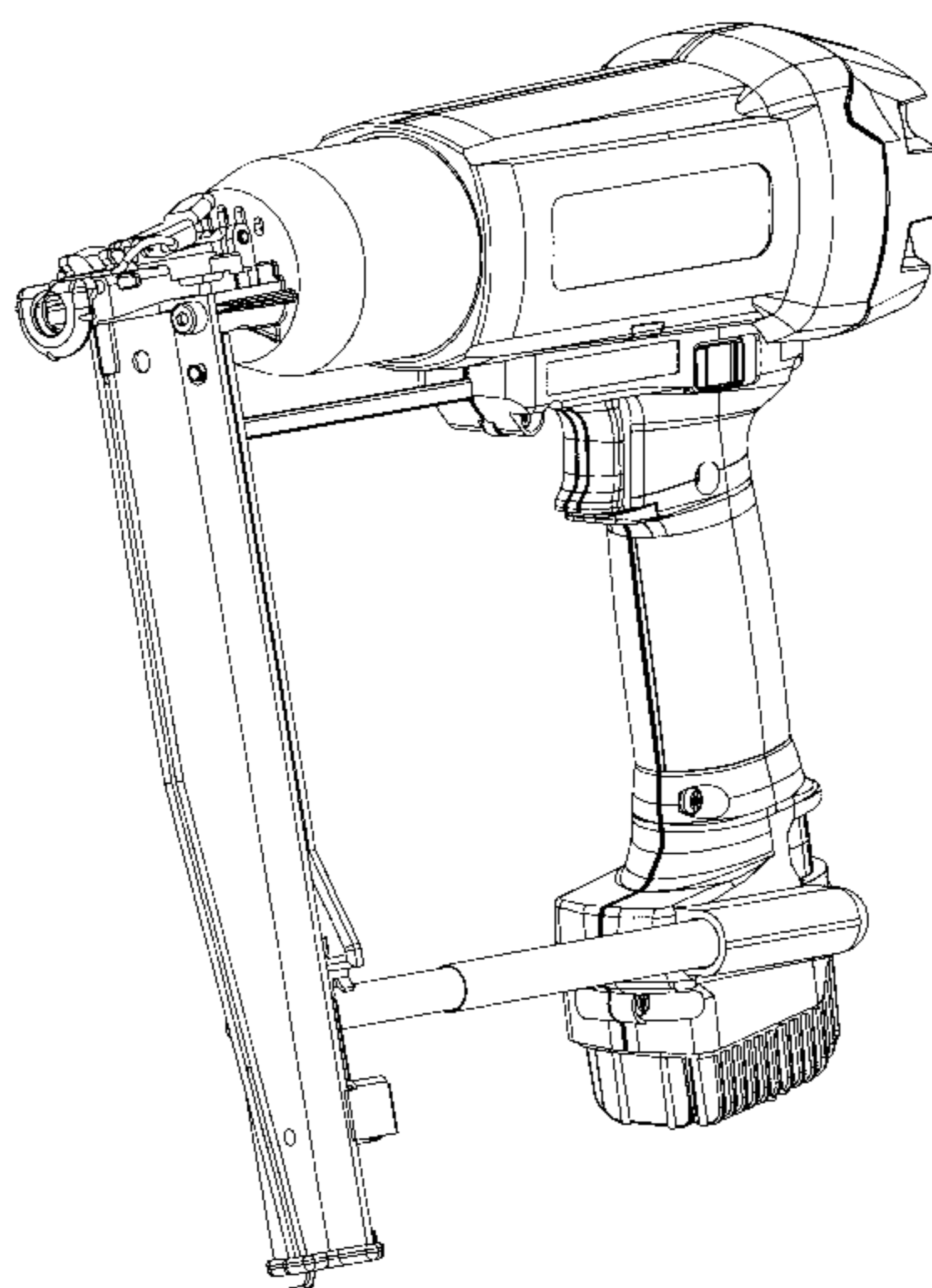
### [57] CLAIM

The ornamental design for an internal combustion fastener driving tool, as shown and described.

### DESCRIPTION

FIG. 1 is a right elevational view of a first embodiment of an internal combustion fastener driving tool showing our new design;  
 FIG. 2 is a left elevational view;  
 FIG. 3 is a top plan view;  
 FIG. 4 is a bottom plan view;  
 FIG. 5 is a front elevational view;  
 FIG. 6 is a rear elevational view;  
 FIG. 7 is a top right perspective view.  
 FIG. 8 is a right elevational view of a second embodiment of an internal combustion fastener driving tool showing our new design;  
 FIG. 9 is a left elevational view;  
 FIG. 10 is a top plan view;  
 FIG. 11 is a bottom plan view;  
 FIG. 12 is a front elevational view;  
 FIG. 13 is a rear elevational view;  
 FIG. 14 is a top right perspective view.  
 FIG. 15 is a right elevational view of a third embodiment of an internal combustion fastener driving tool showing our new design;  
 FIG. 16 is a left elevational view;  
 FIG. 17 is a top plan view;  
 FIG. 18 is a bottom plan view;  
 FIG. 19 is a front elevational view;  
 FIG. 20 is a rear elevational view; and,  
 FIG. 21 is a front right perspective view.

1 Claim, 15 Drawing Sheets



U.S. PATENT DOCUMENTS					
4,230,249	10/1980	Nasiatka et al. .	5,083,694	1/1992	Lemos .
4,260,092	4/1981	Austin .	5,090,606	2/1992	Torii et al. .
4,323,127	4/1982	Cunningham .	5,092,508	3/1992	Vigil Rio .
4,344,555	8/1982	Wolfberg .	5,098,003	3/1992	Young et al. .
4,365,471	12/1982	Adams .	5,110,030	5/1992	Tanji .
4,375,867	3/1983	Novak et al. .	5,115,944	5/1992	Nikolich .
4,377,991	3/1983	Liesse .	5,119,634	6/1992	Berry et al. .
4,380,313	4/1983	Klaus et al. .	5,133,329	7/1992	Rodseth et al. .
4,401,251	8/1983	Nikolich .	5,135,152	8/1992	Uno et al. .
4,405,071	9/1983	Austin .	5,163,596	11/1992	Ravoo et al. .
4,405,072	9/1983	Kindle et al. .	5,174,485	12/1992	Meyer .
4,448,338	5/1984	Graf et al. .	5,181,495	1/1993	Gschwend et al. .
4,483,280	11/1984	Nikolich .	5,192,012	3/1993	Schafer et al. .
4,483,473	11/1984	Wagdy .	5,197,646	3/1993	Nikolich .
4,483,474	11/1984	Nikolich .	5,199,626	4/1993	Terayama et al. .
4,503,585	3/1985	Hamel et al. .	5,201,449	4/1993	Miller .
4,509,668	4/1985	Klaus et al. .	5,205,457	4/1993	Blomquist, Jr. .
4,510,748	4/1985	Adams .	5,207,143	5/1993	Monacelli .
4,522,162	6/1985	Nikolich .	5,213,247	5/1993	Gschwend et al. .
4,524,897	6/1985	Bachmann .	5,261,587	11/1993	Robinson .
4,530,455	7/1985	Vornberger .	5,263,439	11/1993	Doherty et al. .
4,534,500	8/1985	Jochum .	5,263,626	11/1993	Howard et al. .
4,549,344	10/1985	Nikolich .	5,263,842	11/1993	Fealey .
4,558,811	12/1985	Klaus .	5,271,309	12/1993	Cornett .
4,573,621	3/1986	Merkator et al. .	5,273,198	12/1993	Popovich et al. .
4,655,380	4/1987	Haytayan .	5,320,268	6/1994	Shkolnikov et al. .
4,665,868	5/1987	Adams .	5,320,270	6/1994	Crutcher .
4,688,645	8/1987	Müller .	5,366,132	11/1994	Simonelli .
4,688,710	8/1987	Massari, Jr. et al. .	5,368,213	11/1994	Massari, Jr. .
4,712,379	12/1987	Adams et al. .	5,385,286	1/1995	Johnson, Jr. .
4,717,060	1/1988	Cotta .	5,394,702	3/1995	Jochum .
4,721,240	1/1988	Cotta .	5,415,136	5/1995	Doherty et al. .
4,739,915	4/1988	Cotta .	5,452,835	9/1995	Shkolnikov .
4,759,318	7/1988	Adams .	5,465,893	11/1995	Thompson .
4,763,478	8/1988	Liemert et al. .	5,471,903	12/1995	Brede et al. .
4,773,581	9/1988	Ohtsu et al. .	5,476,205	12/1995	Canlas et al. .
4,784,308	11/1988	Novak et al. .	5,484,094	1/1996	Gupta .
4,805,825	2/1989	Liu .	5,485,946	1/1996	Jankel .
4,811,882	3/1989	Steeves et al. .	5,497,932	3/1996	Brewer et al. .
4,821,683	4/1989	Veldman .	5,518,161	5/1996	Thompson .
4,824,003	4/1989	Almeras et al. .	5,540,193	7/1996	Achten et al. .
4,830,254	5/1989	Hsu .	5,553,764	9/1996	Remerowski .
4,836,372	6/1989	Shelton .	5,558,264	9/1996	Weinstein .
4,856,696	8/1989	Seld .	5,592,580	1/1997	Doherty et al. .
4,858,811	8/1989	Brosius ..... 227/10	5,609,028	3/1997	Kakuda et al. .
4,867,366	9/1989	Kleinholz .	5,611,205	3/1997	Remerowski et al. .
4,877,171	10/1989	Almeras .	5,611,474	3/1997	Schmidle et al. .
4,881,373	11/1989	Yamaguchi et al. .	5,617,925	4/1997	Boothby et al. .
4,913,331	4/1990	Utsumi et al. .	5,628,444	5/1997	White .
4,932,480	6/1990	Golsch .	5,634,582	6/1997	Morrison, Jr. et al. .
5,000,128	3/1991	Veldman .	5,642,848	7/1997	Ludwig et al. .
5,014,898	5/1991	Heidrich .	5,642,849	7/1997	Chen .
5,025,971	6/1991	Schäfer et al. .	5,645,208	7/1997	Haytayan .
5,038,993	8/1991	Schafer et al. .	5,651,489	7/1997	Janssen et al. .
5,074,453	12/1991	Tachihara et al. .	5,657,919	8/1997	Berry et al. .

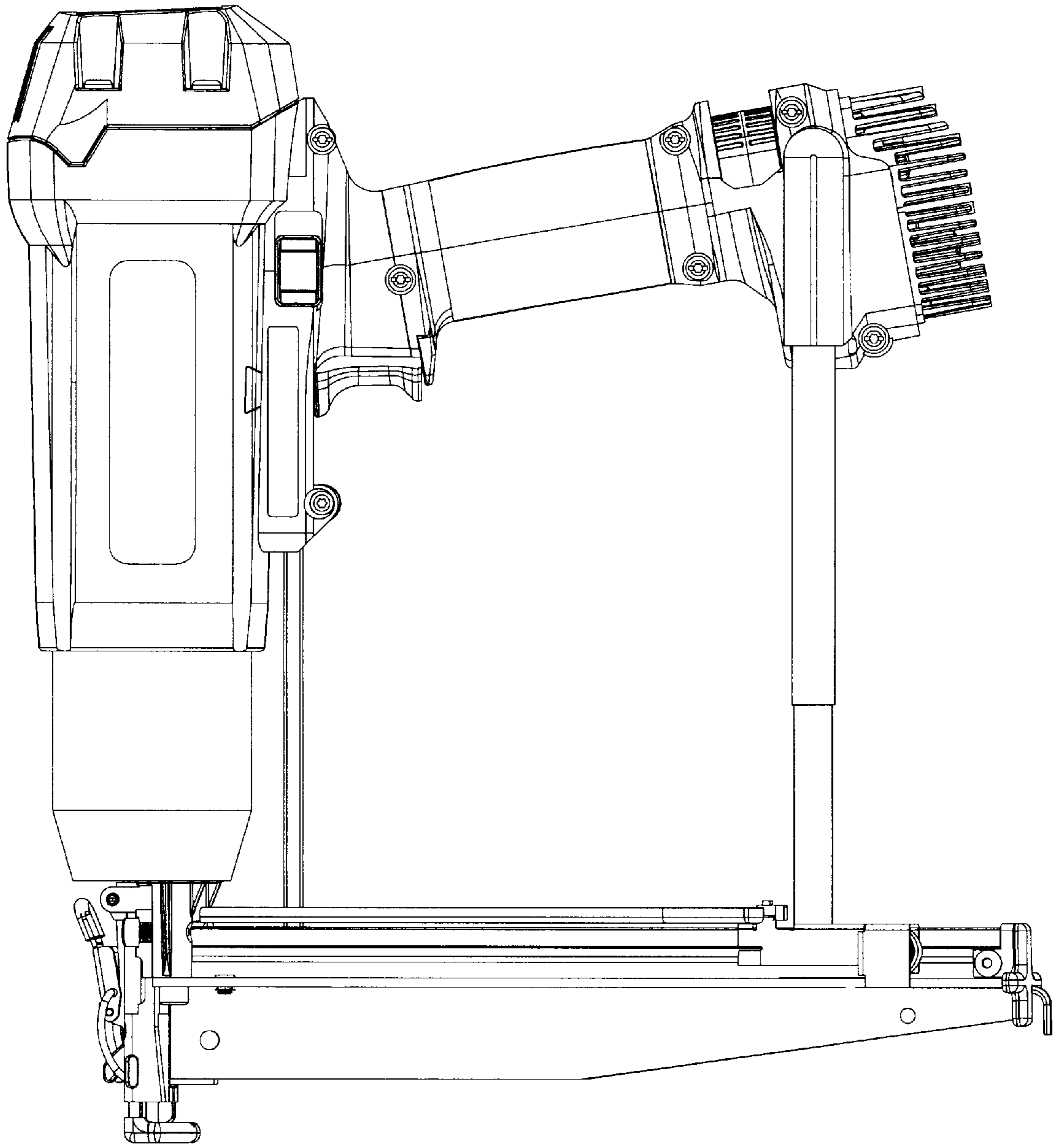


FIG. 1



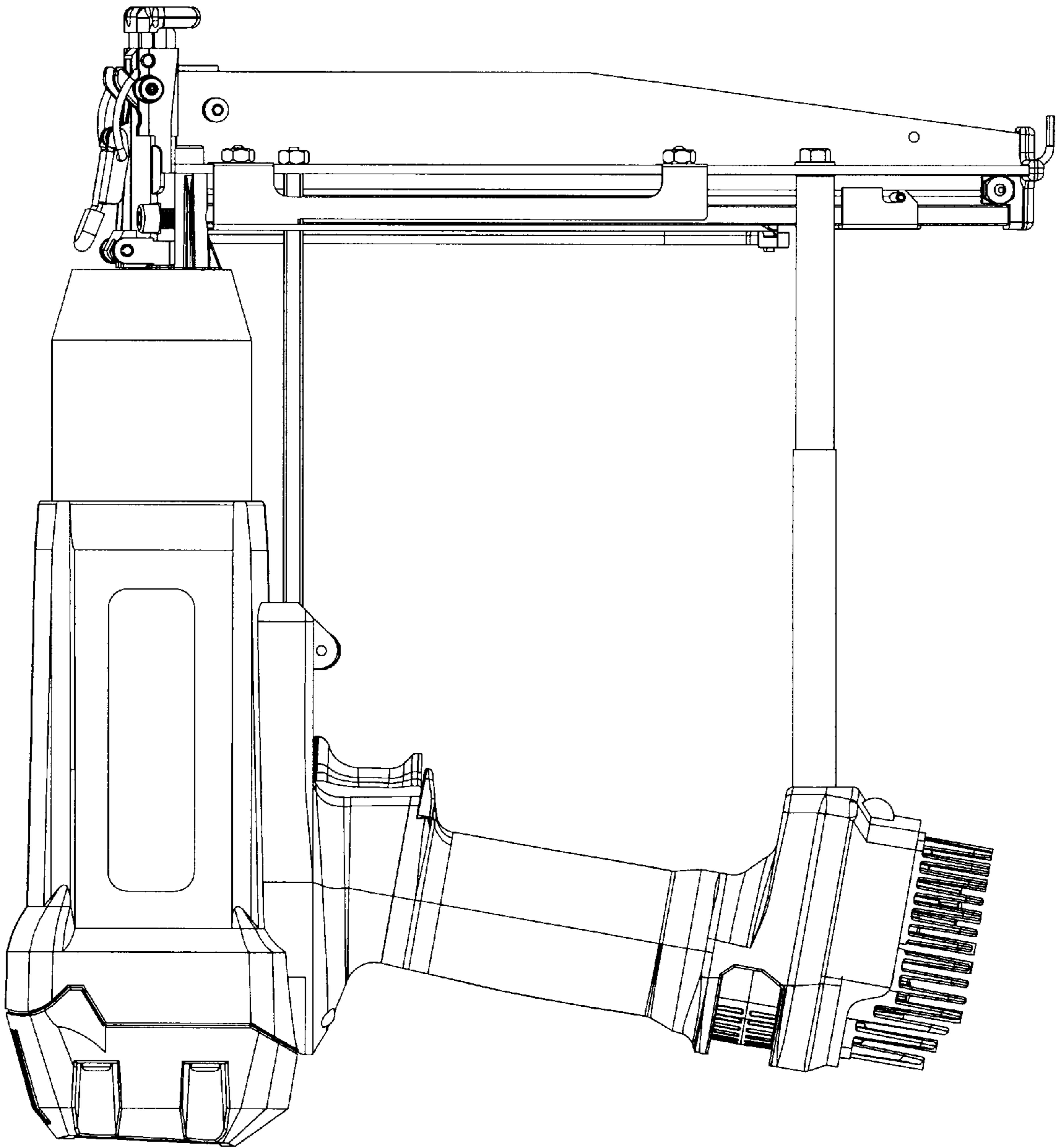


FIG. 2

FIG. 3

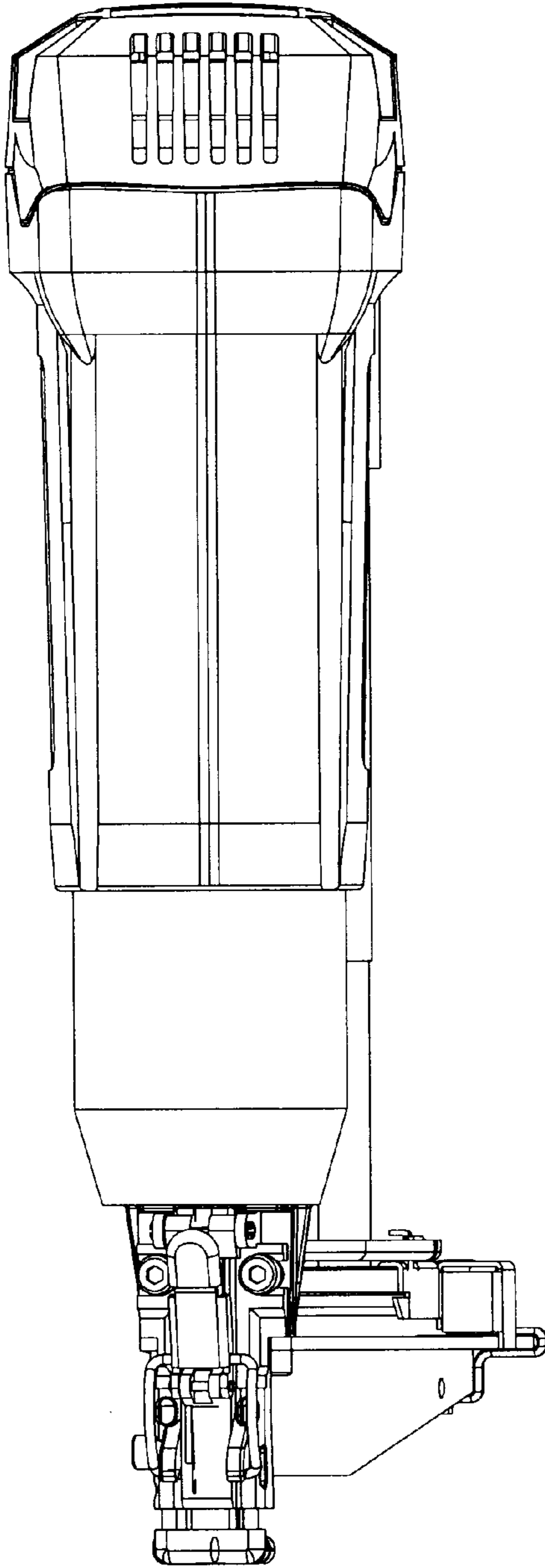
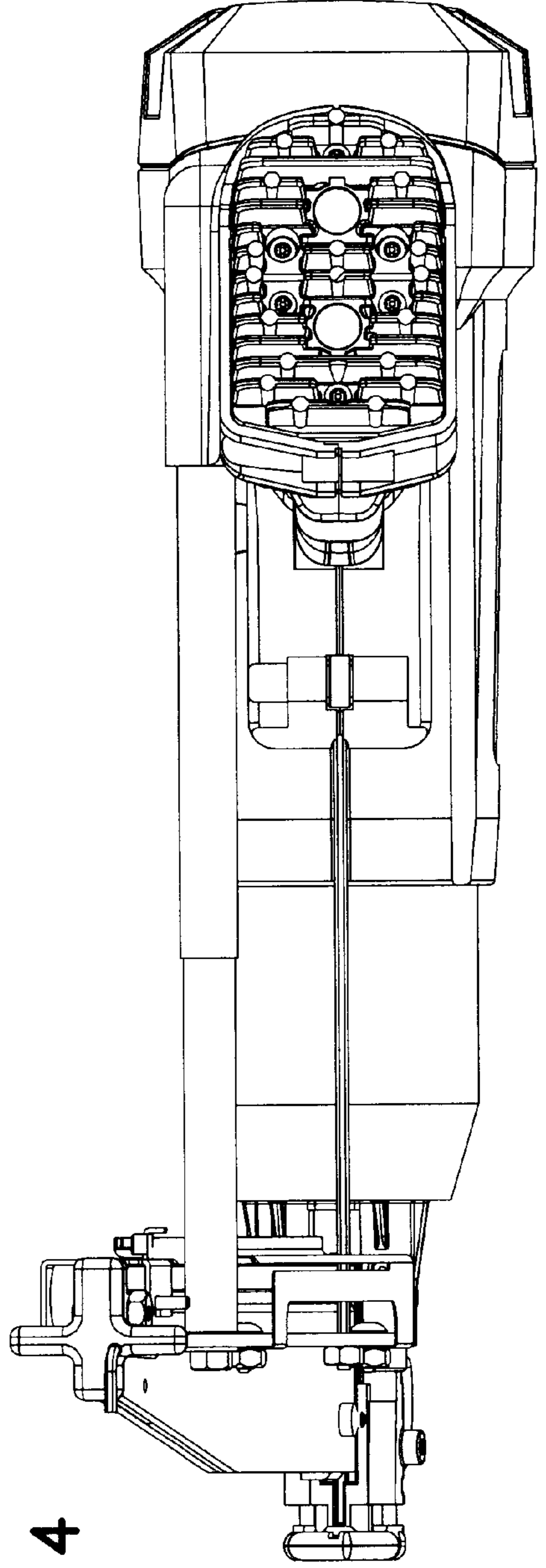


FIG. 4



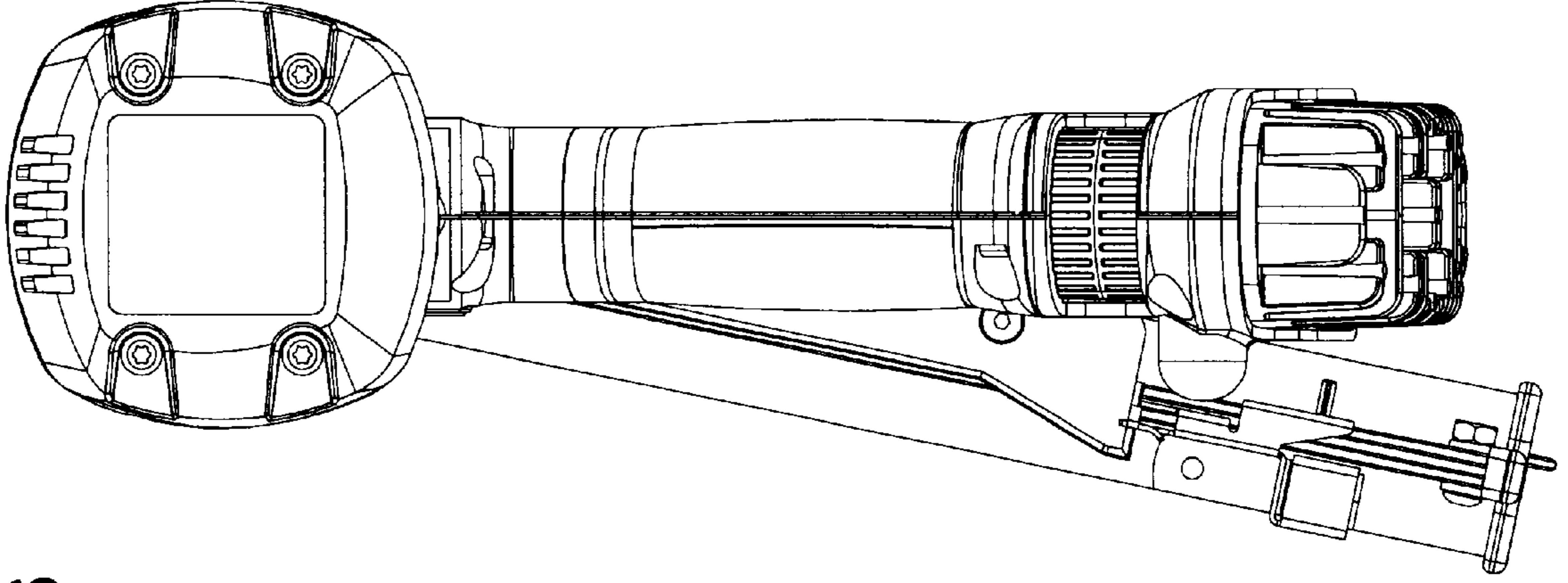


FIG. 6

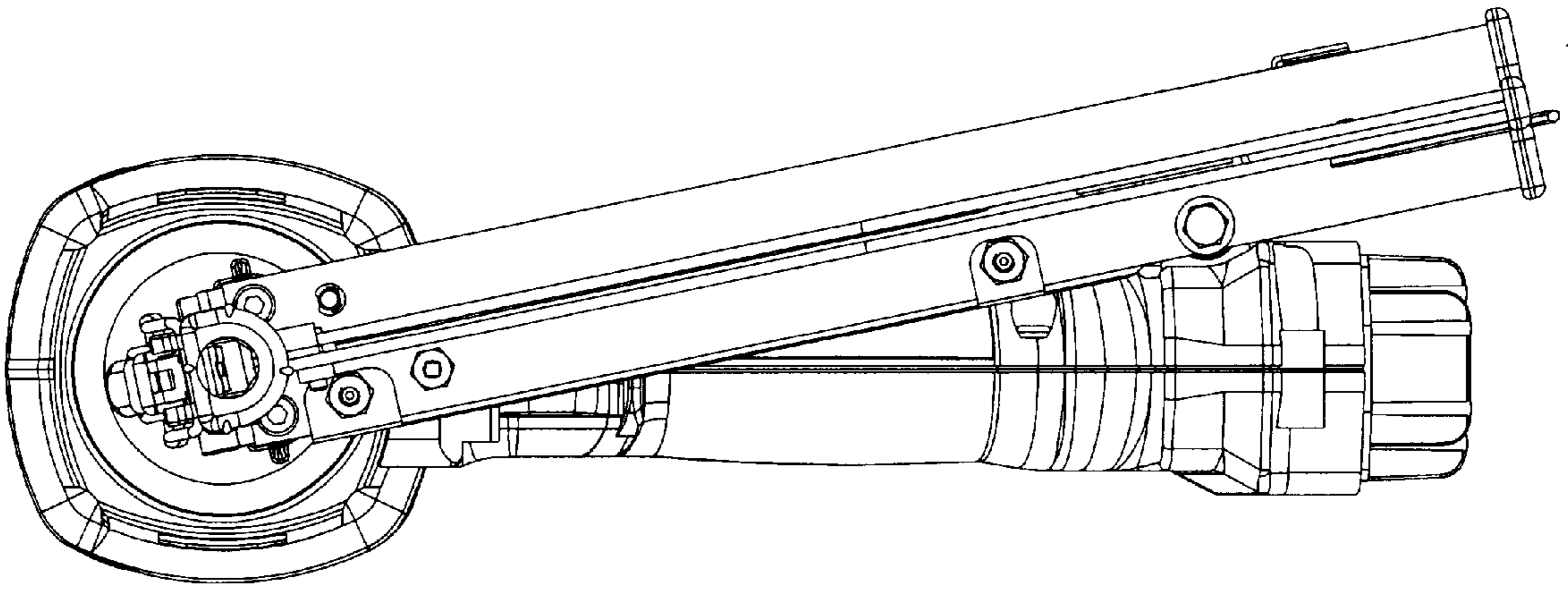


FIG. 5

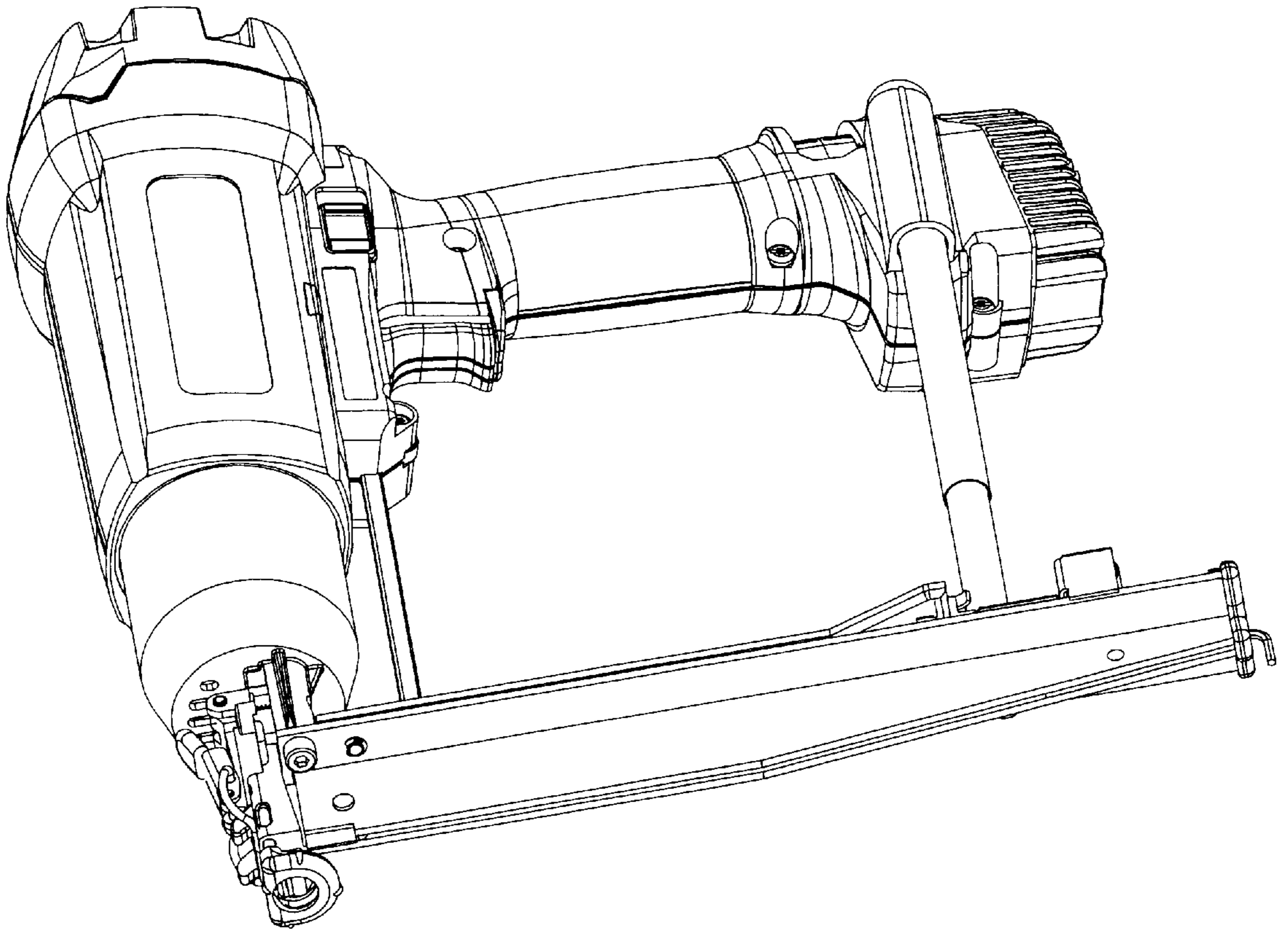


FIG. 7



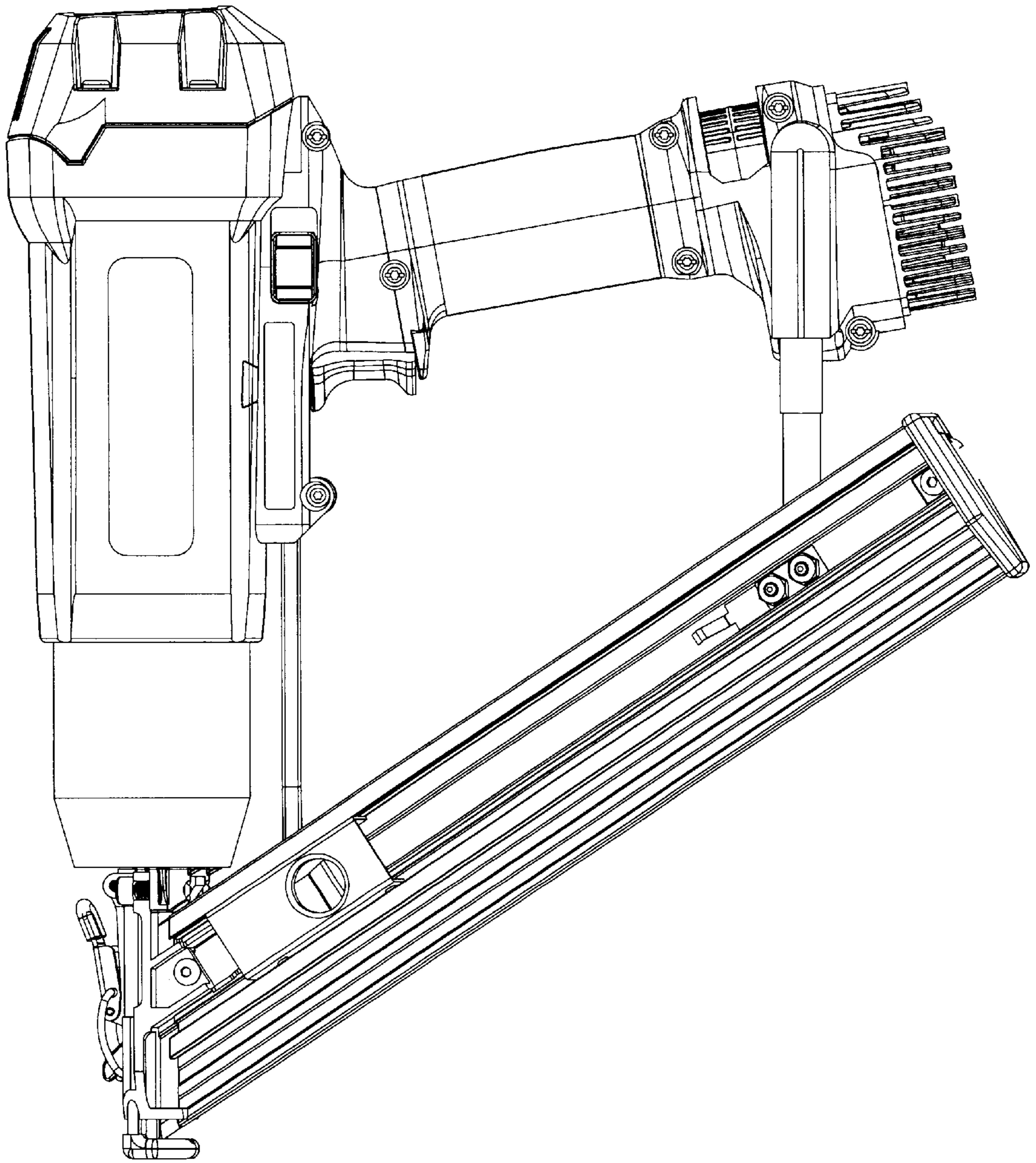


FIG. 8



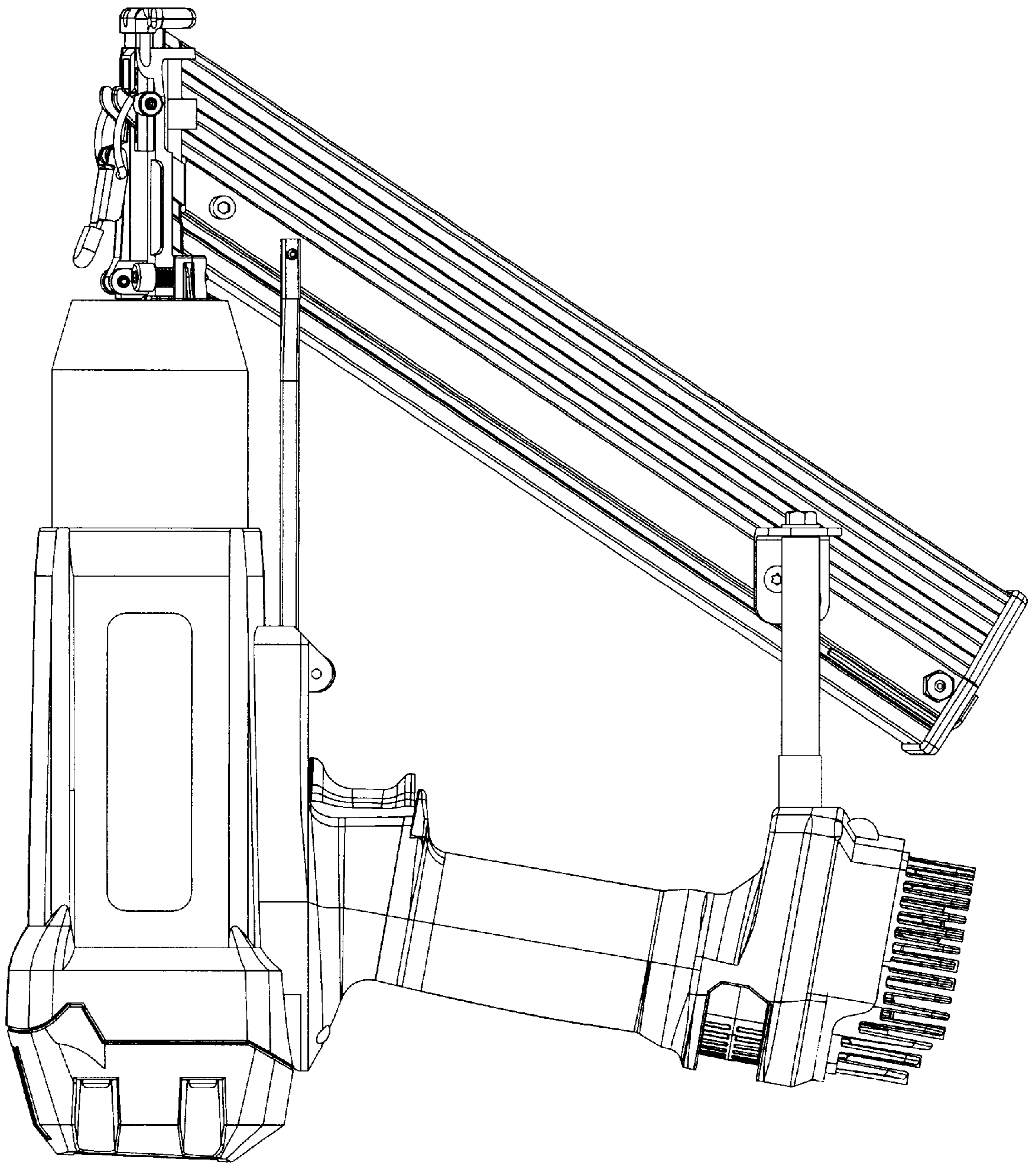


FIG. 9

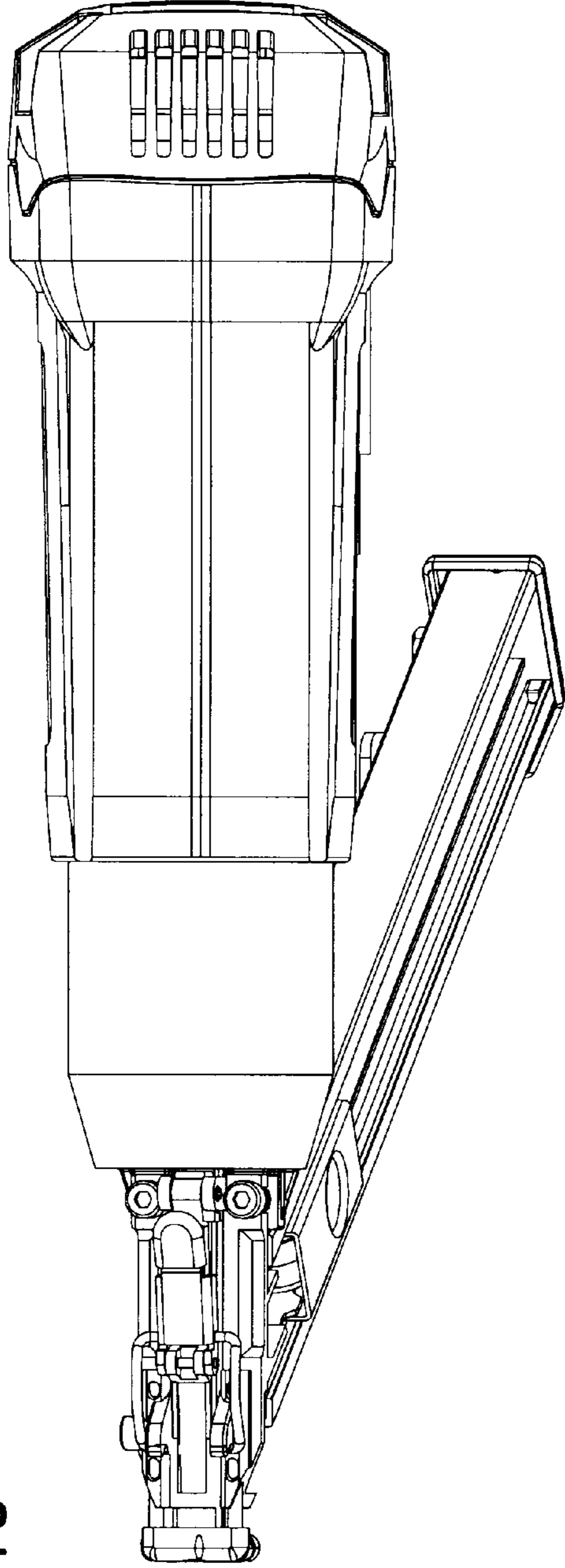


FIG. 10

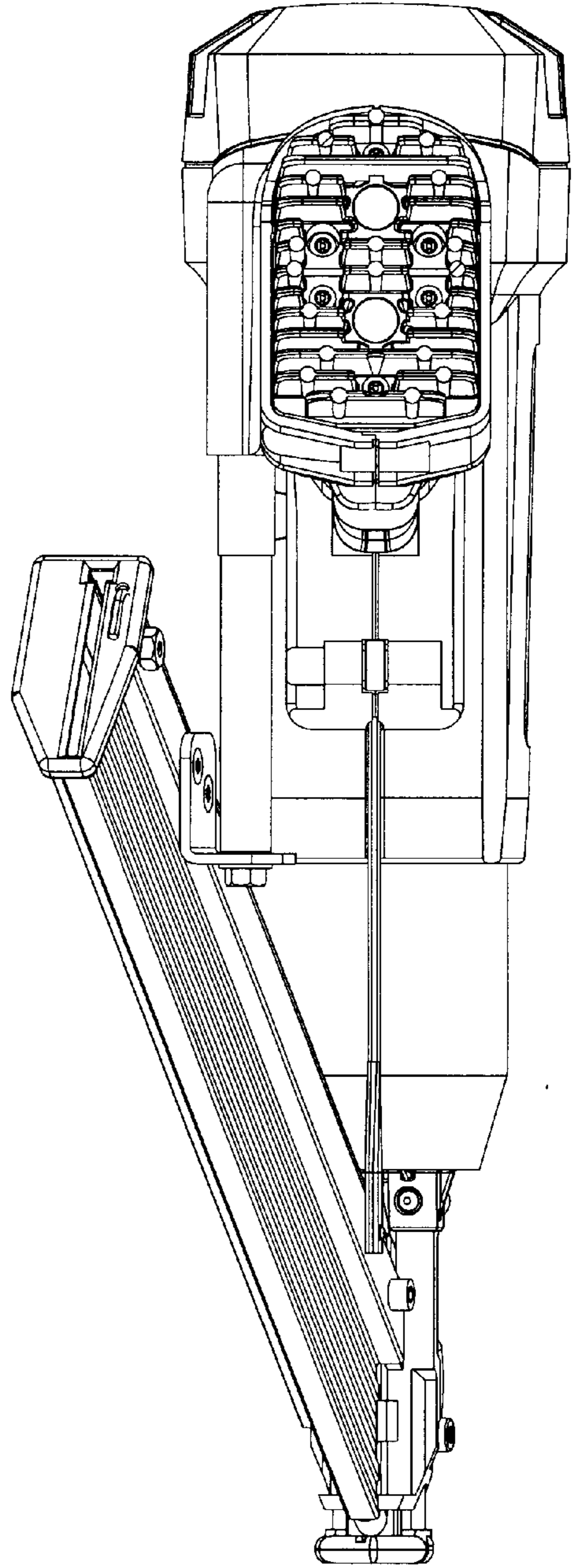


FIG. 11

FIG. 13

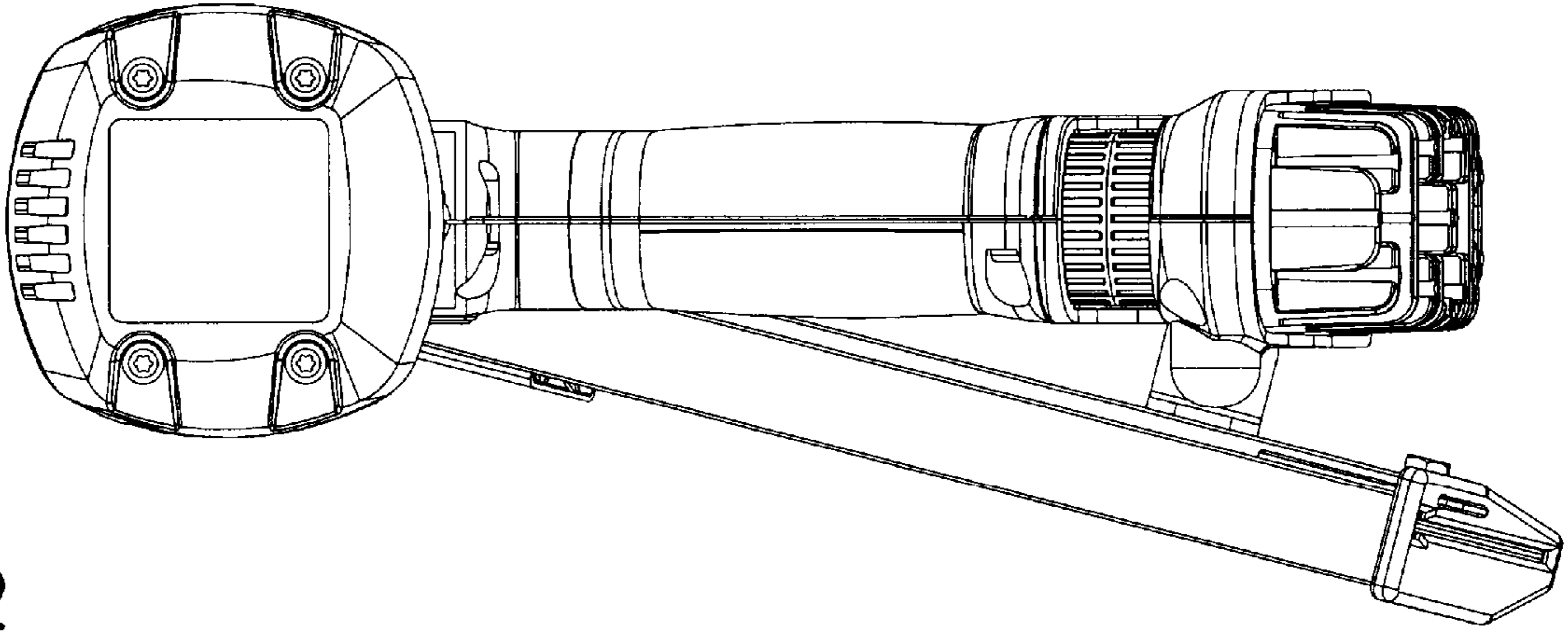
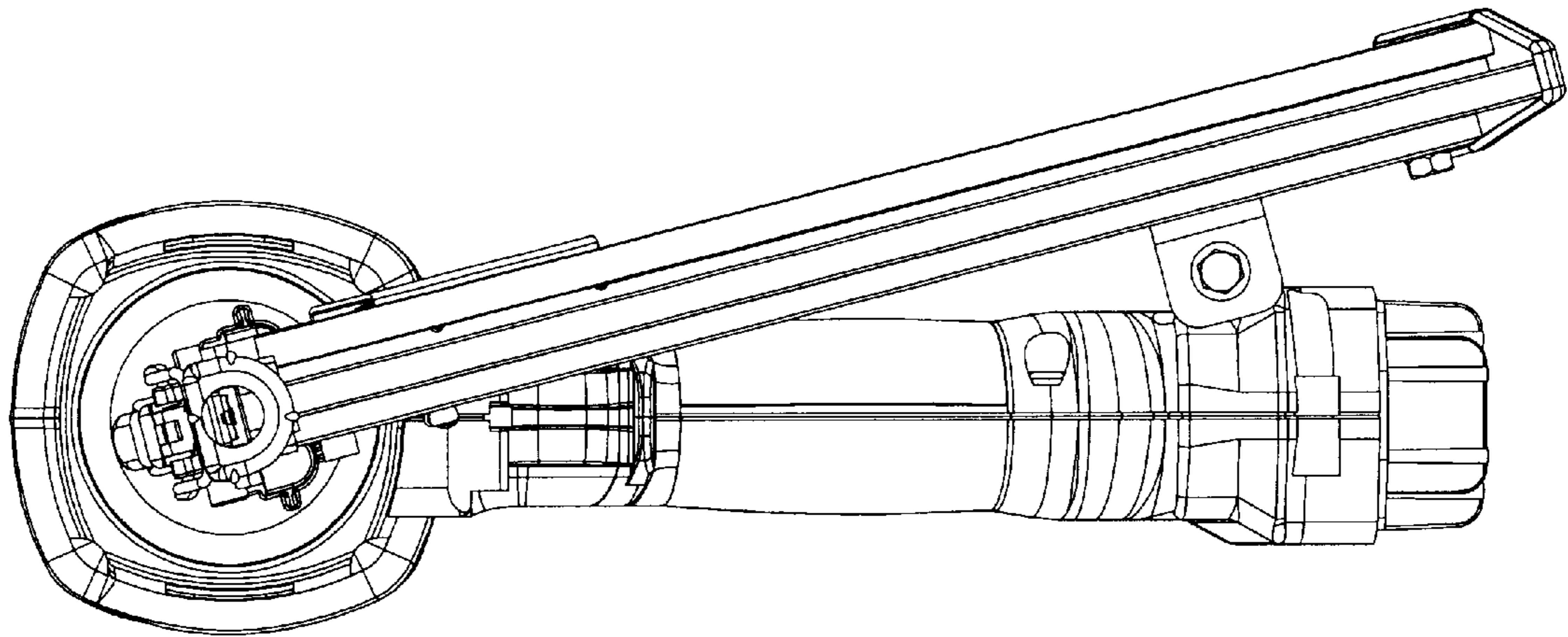


FIG. 12





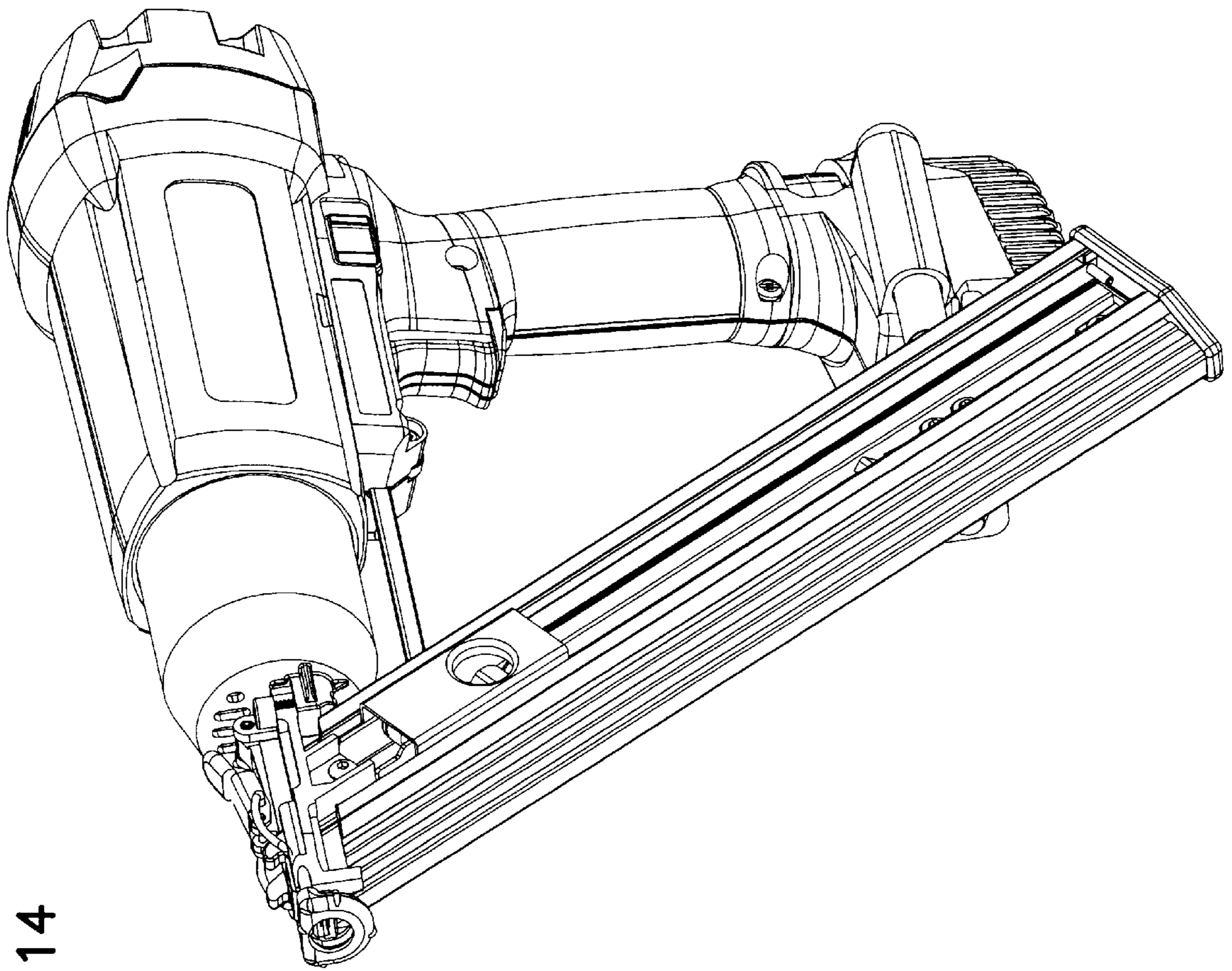


FIG. 14



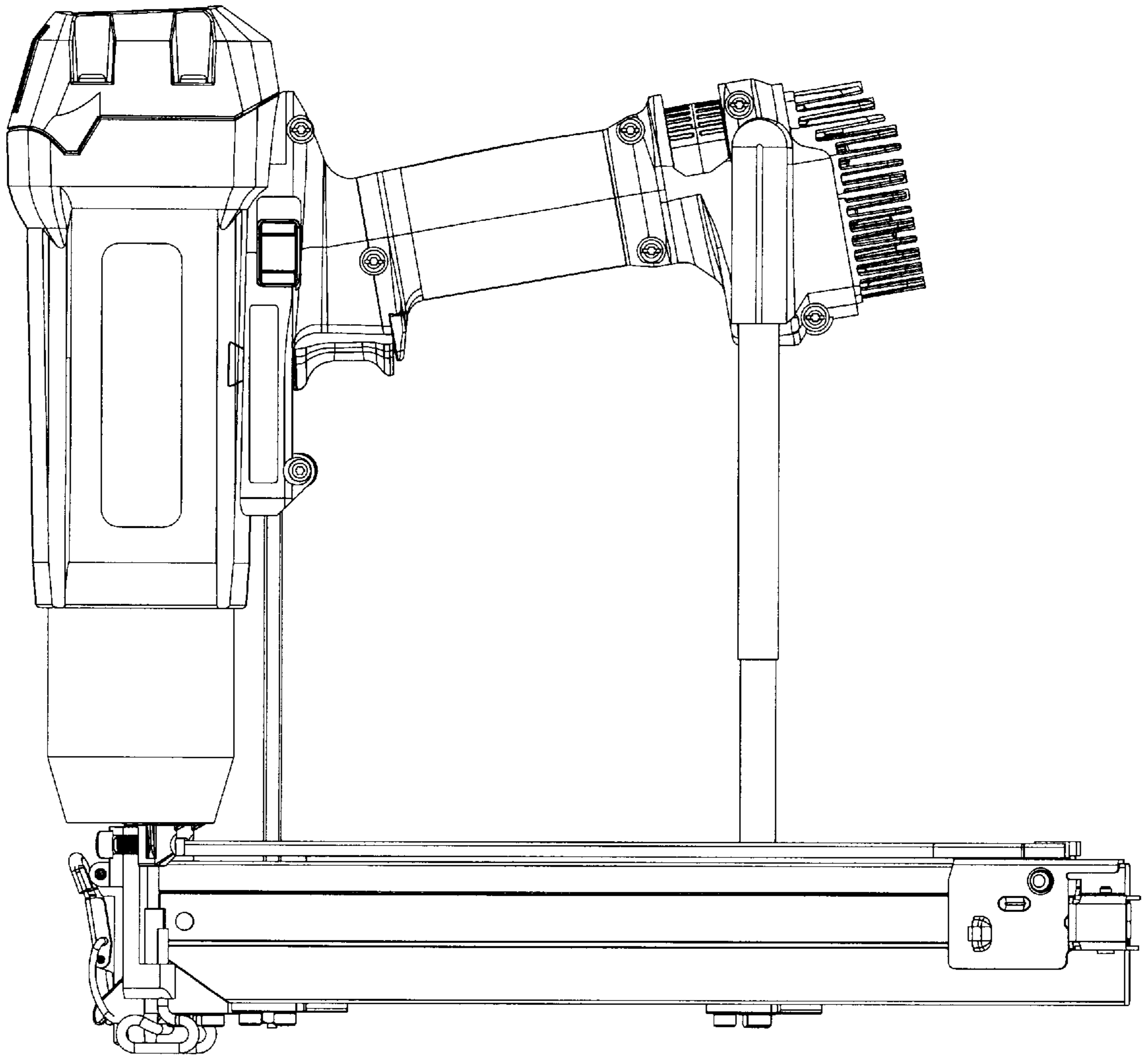


FIG. 15

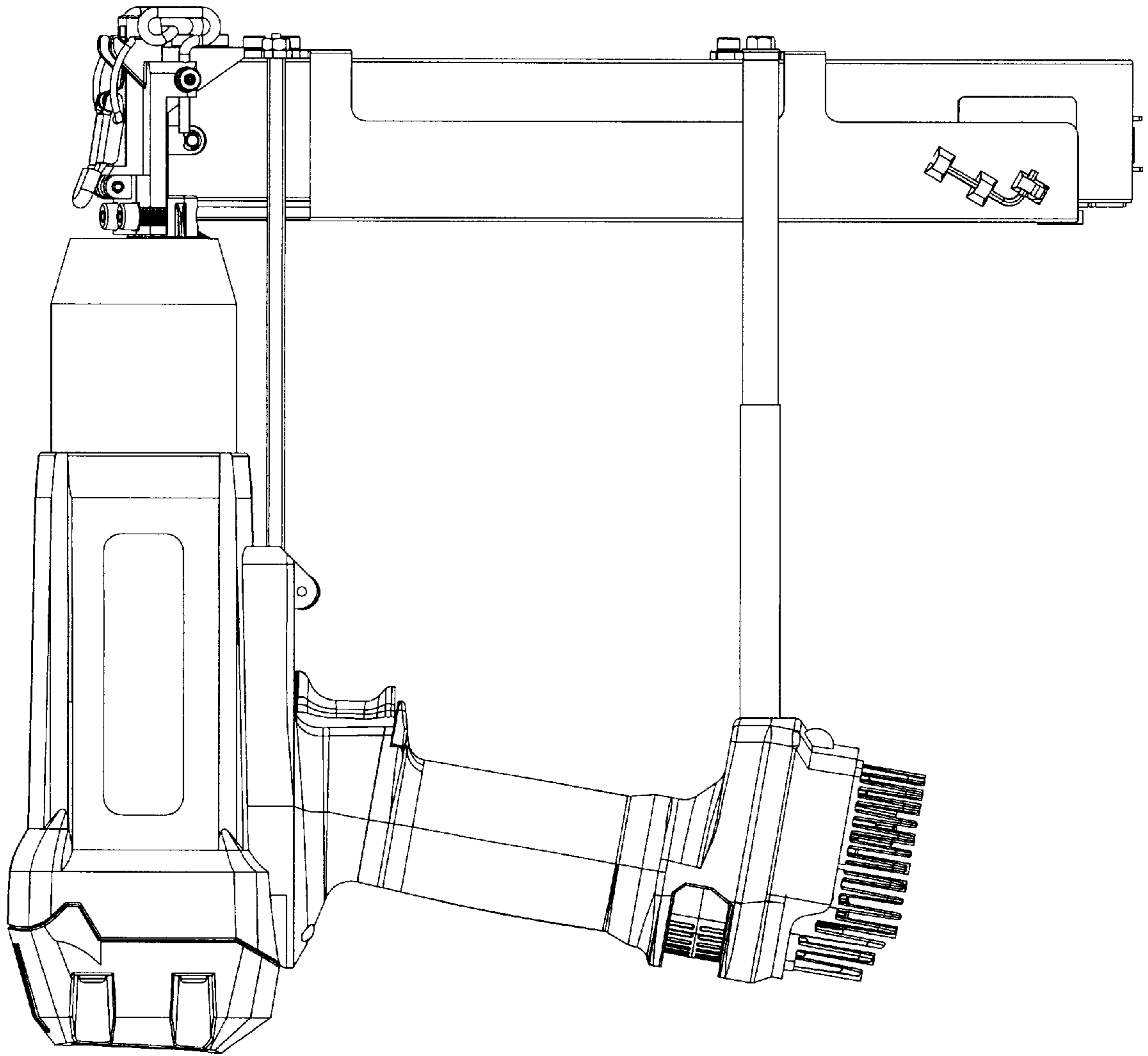


FIG. 16

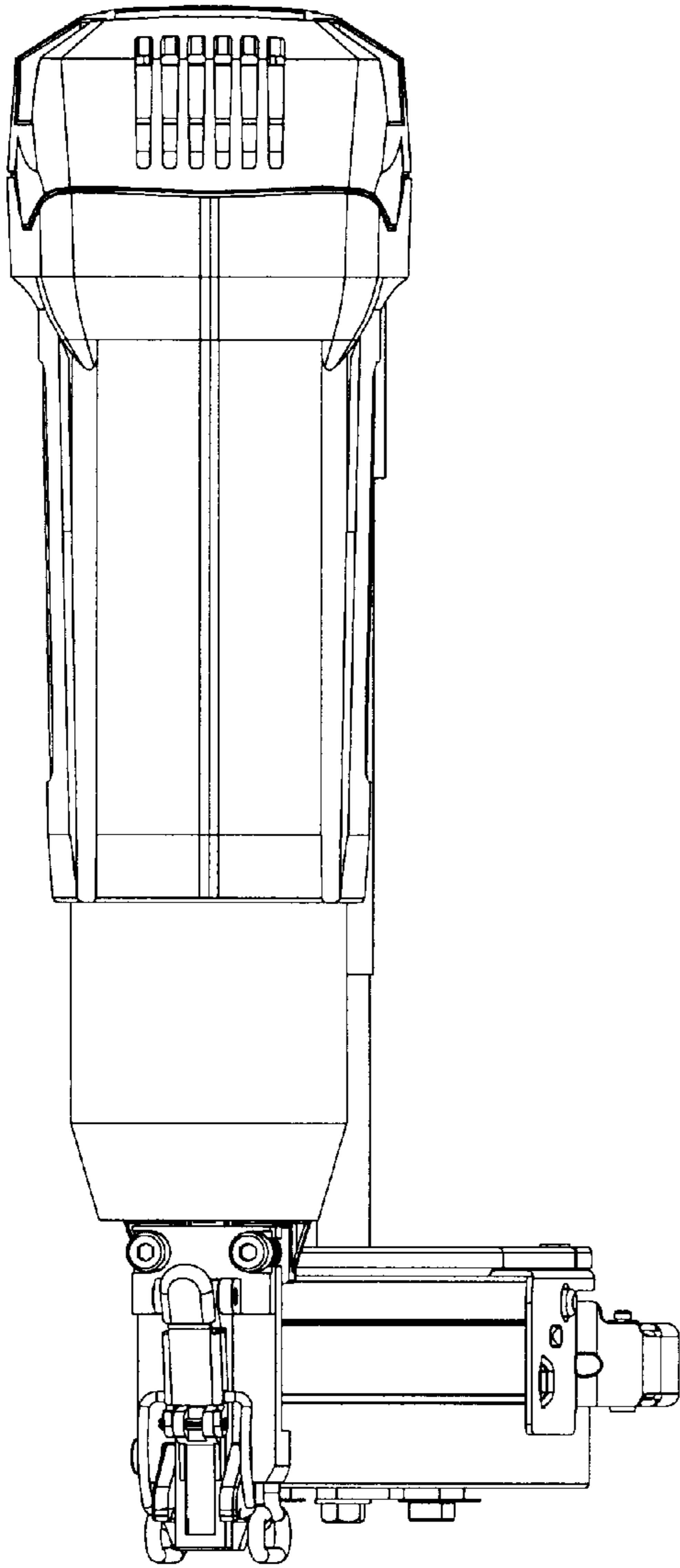


FIG. 17

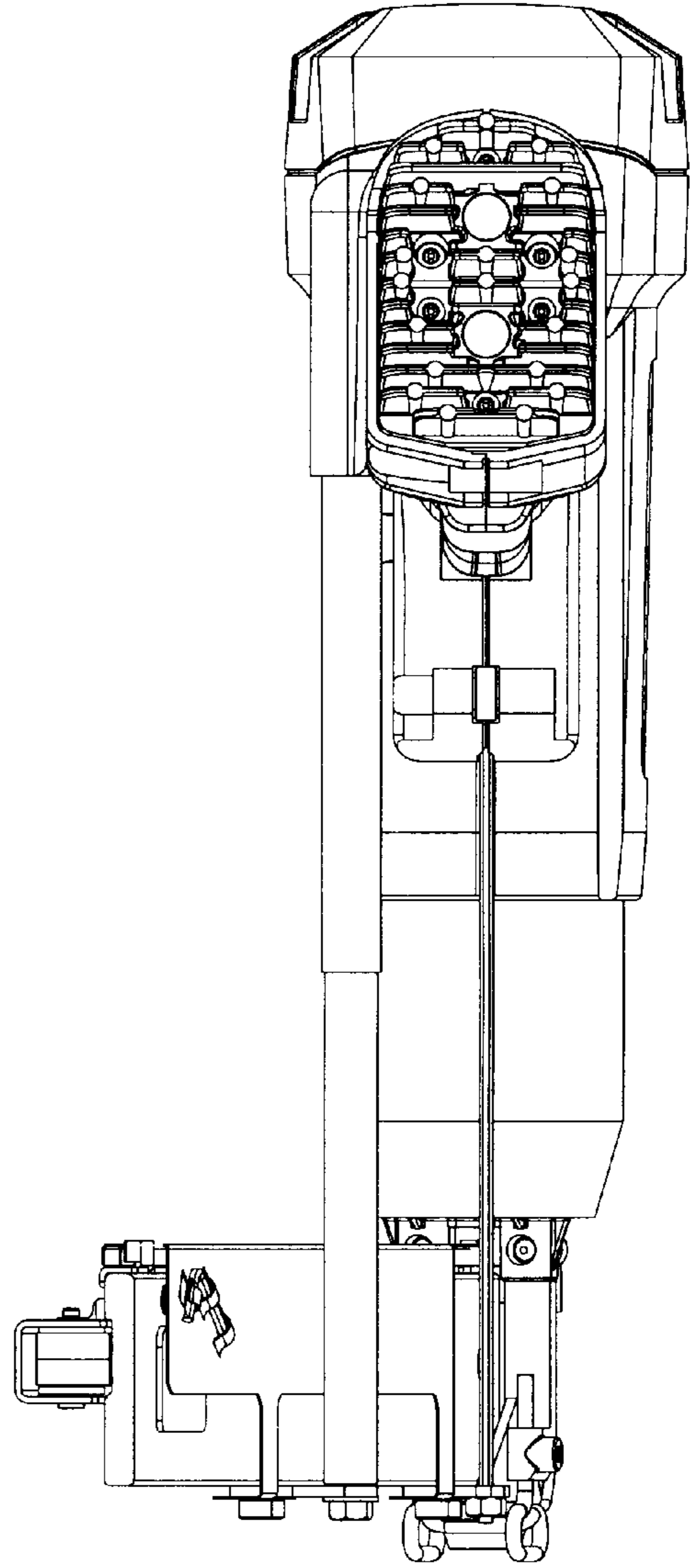


FIG. 18

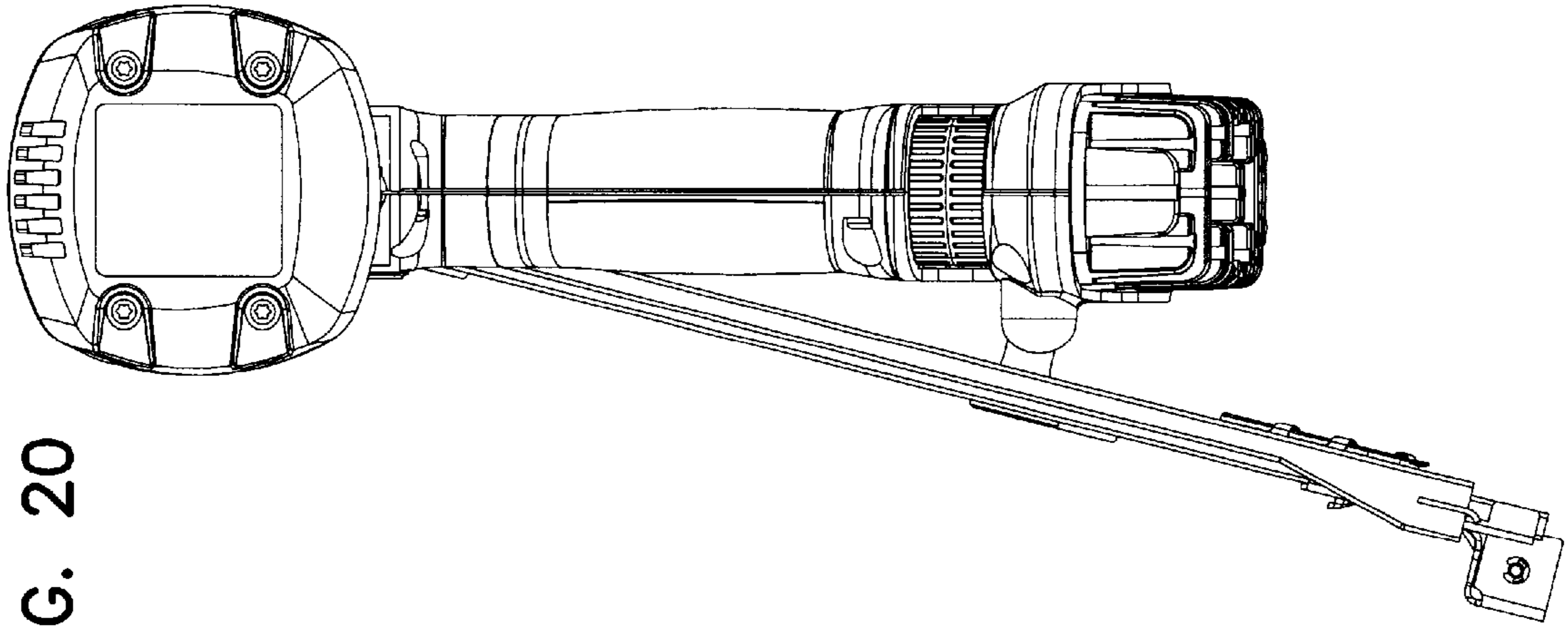


FIG. 20

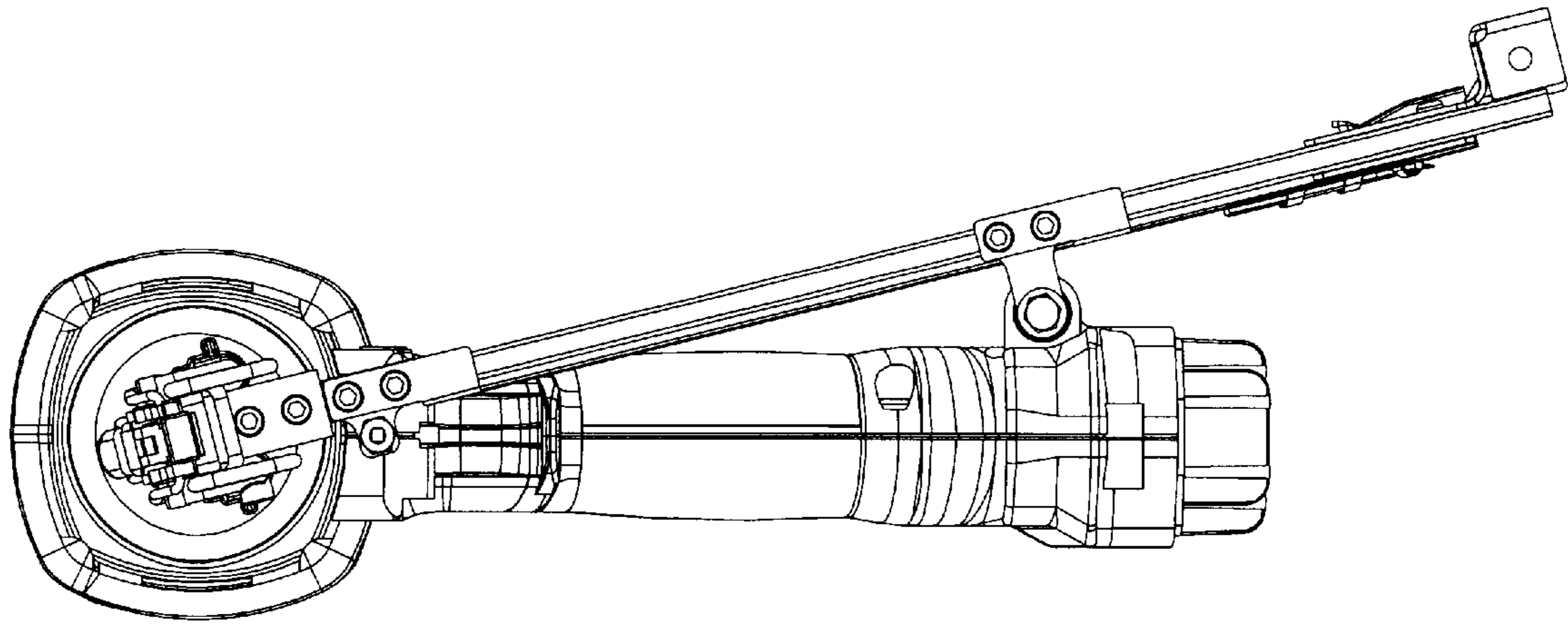


FIG. 19



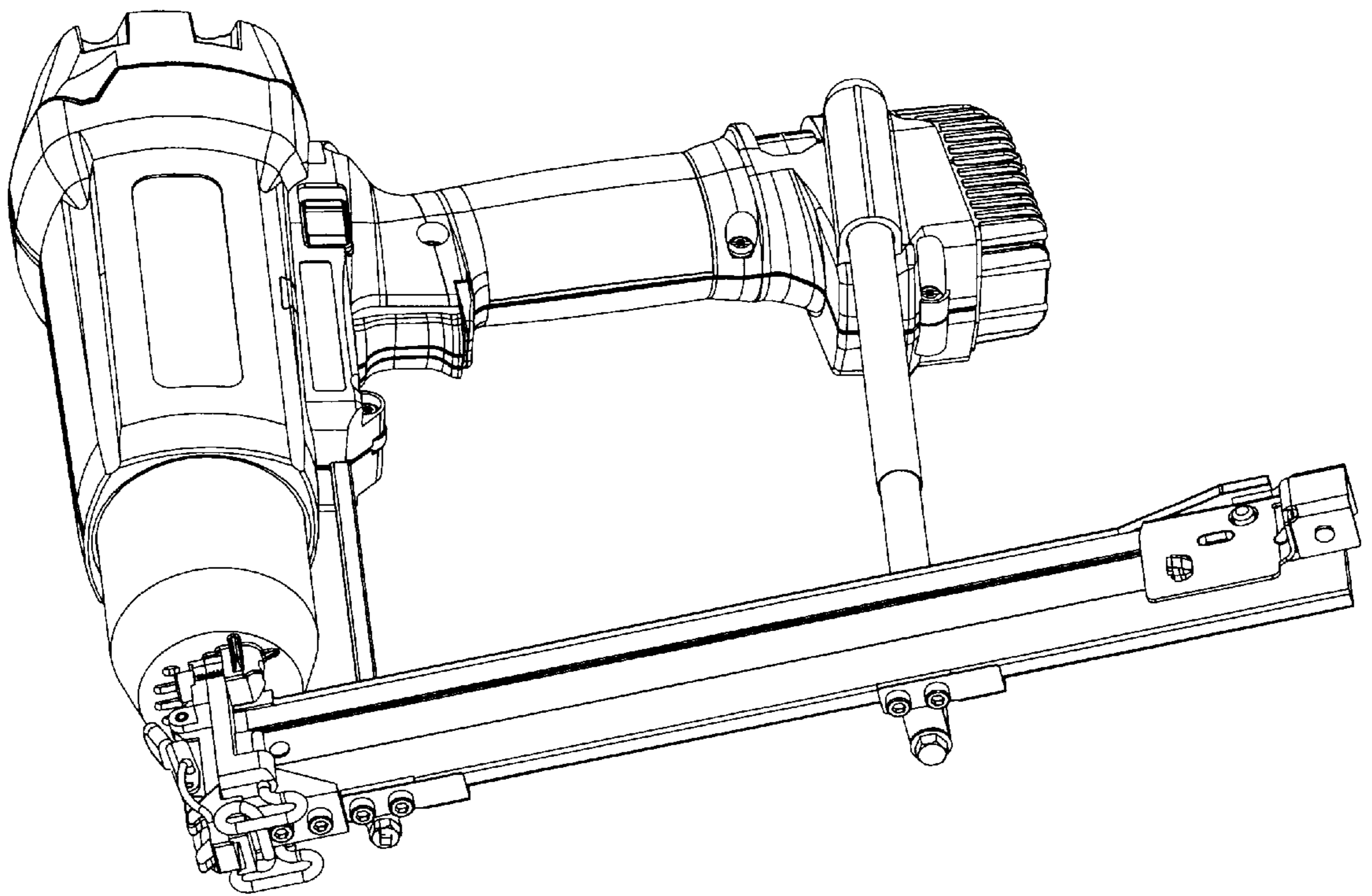


FIG. 21