



US00D410175S

United States Patent [19]
Moran

[11] **Patent Number: Des. 410,175**

[45] **Date of Patent: ** May 25, 1999**

[54] **VACUUM CONTAINER WITH EASY POURING SPOUT**

D. 363,858	11/1995	Sweeney	D7/608
D. 395,203	6/1998	Moran	D7/608
D. 395,793	7/1998	Moran	D7/608
3,327,881	6/1967	Maier	215/6
4,792,994	12/1988	Aylward	62/457.3 X

[75] Inventor: **Jorge E. Moran**, Nashville, Tenn.

[73] Assignee: **Megatrade International, Inc.**,
Nashville, Tenn.

[**] Term: **14 Years**

Primary Examiner—Mitchell I Siegel
Attorney, Agent, or Firm—Arent Fox Kintner, Plotkin & Kahn, PLLC

[21] Appl. No.: **29/093,856**

[57] **CLAIM**

[22] Filed: **Sep. 18, 1998**

The ornamental design for a vacuum container with easy pouring spout, as shown and described.

[51] **LOC (6) Cl.** **07-01**

DESCRIPTION

[52] **U.S. Cl.** **D7/608**

[58] **Field of Search** D7/605, 608, 502-504,
D7/538, 557, 554; 220/410-412; 215/6,
12.1, 13.1; 62/457.1, 457.3, 457.4, 457.7;
D9/504, 503, 557

FIG. 1 is a front elevation view of the vacuum container with easy pouring spout showing my new design;
FIG. 2 is a side elevation view thereof;
FIG. 3 is a rear elevation view thereof;
FIG. 4 is an exploded side elevation view thereof;
FIG. 5 is a top plan view thereof;
FIG. 6 is a bottom plan view thereof; and,
FIG. 7 is a top plan view thereof without the cup lid.

[56] **References Cited**

U.S. PATENT DOCUMENTS

D. 323,758	2/1992	Hoelterscheidt	D7/608 X
D. 351,321	10/1994	Steppe, Sr.	D7/608

1 Claim, 3 Drawing Sheets

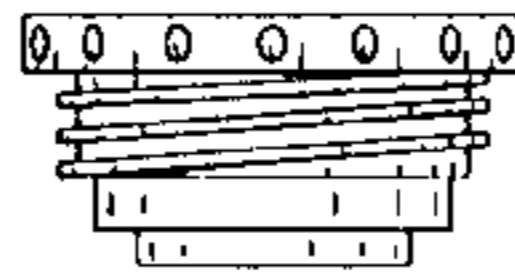
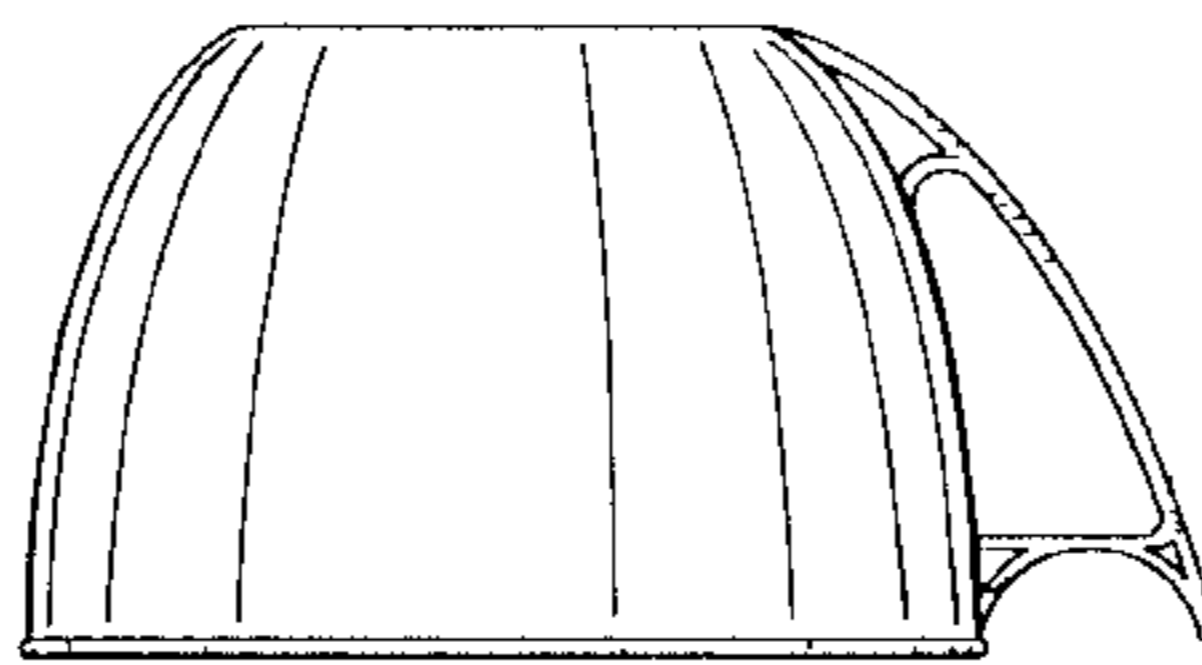


FIG. 3

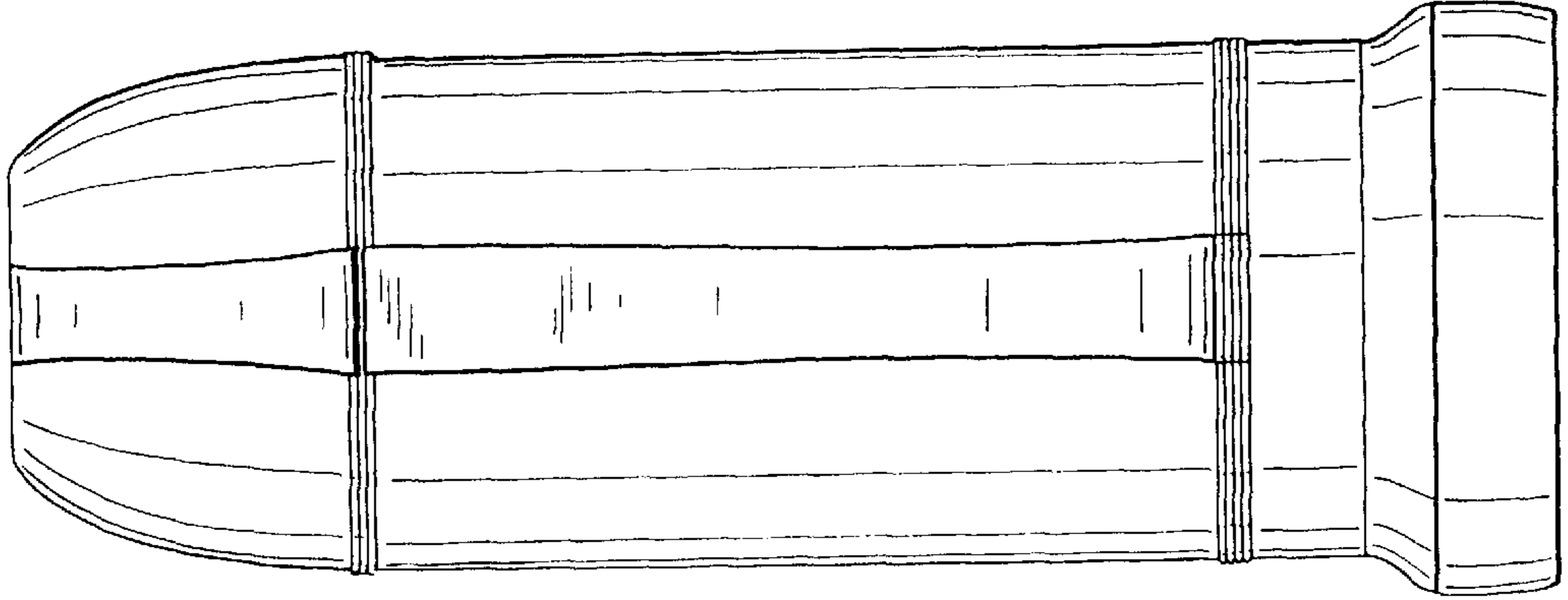


FIG. 2

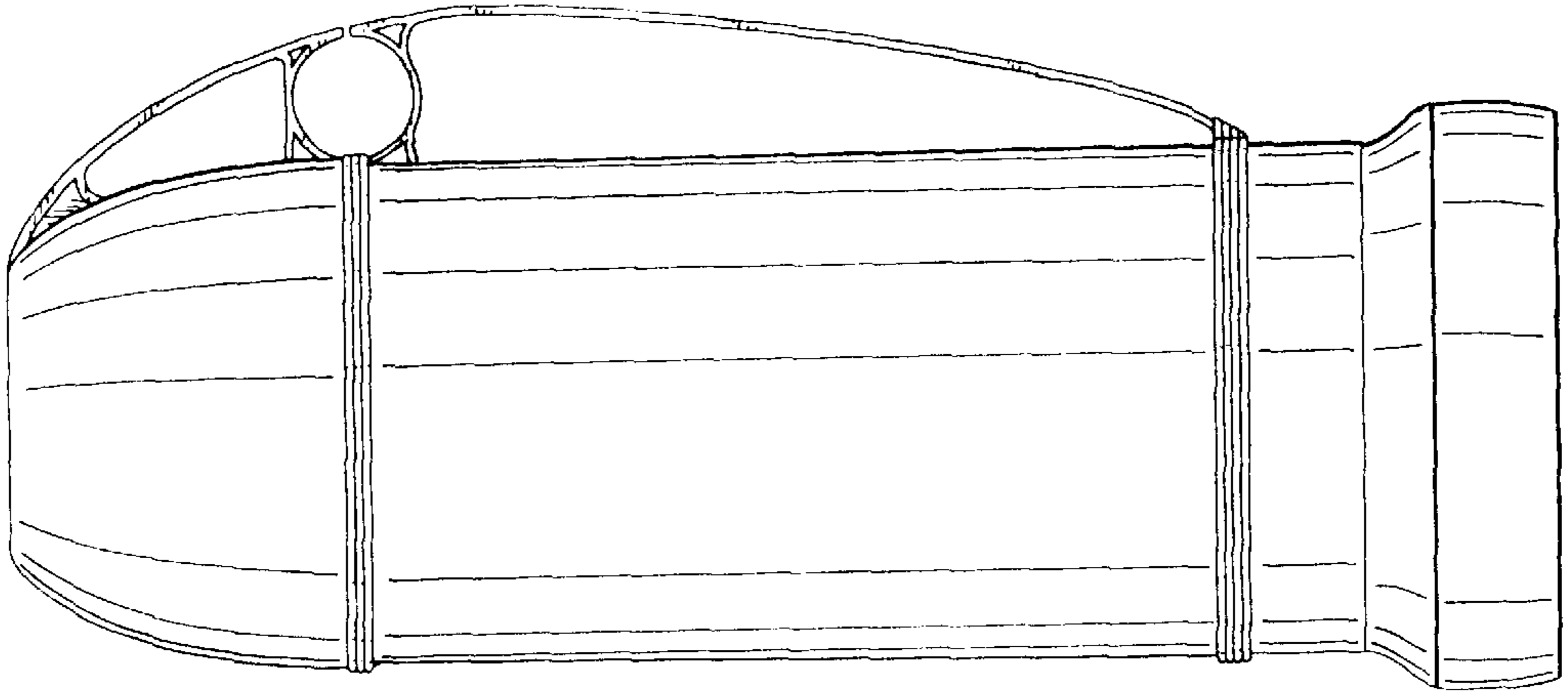
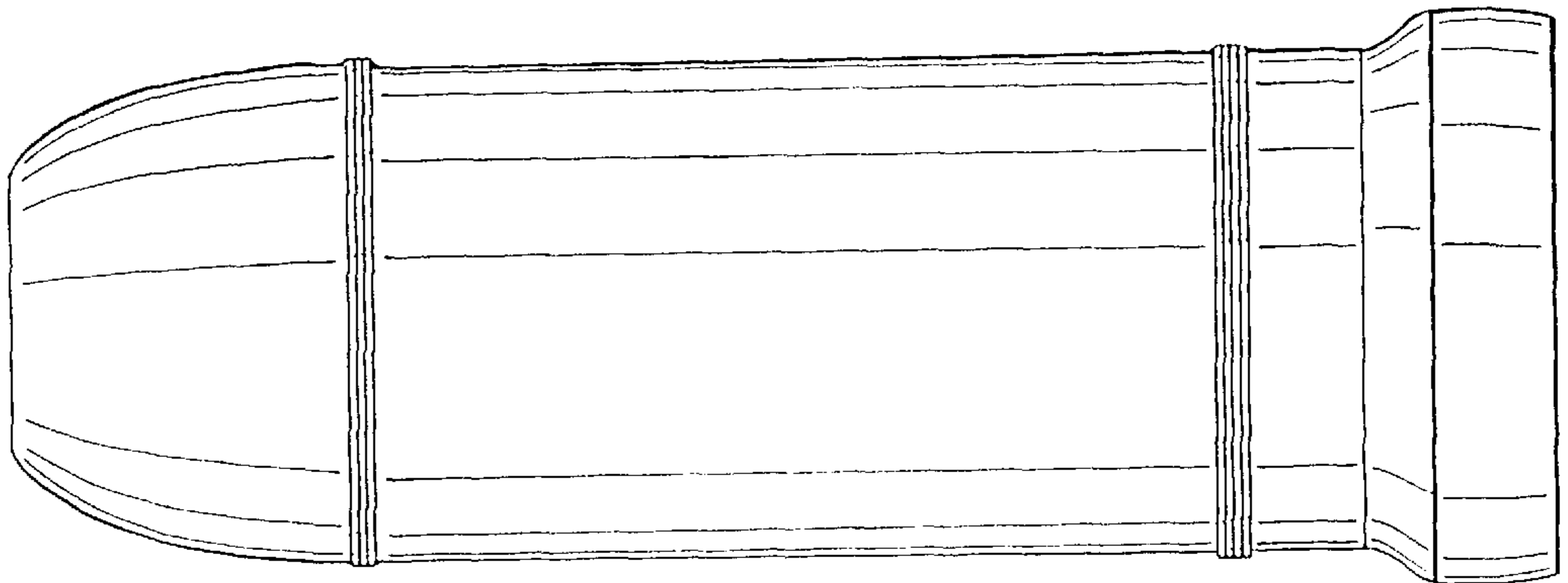


FIG. 1



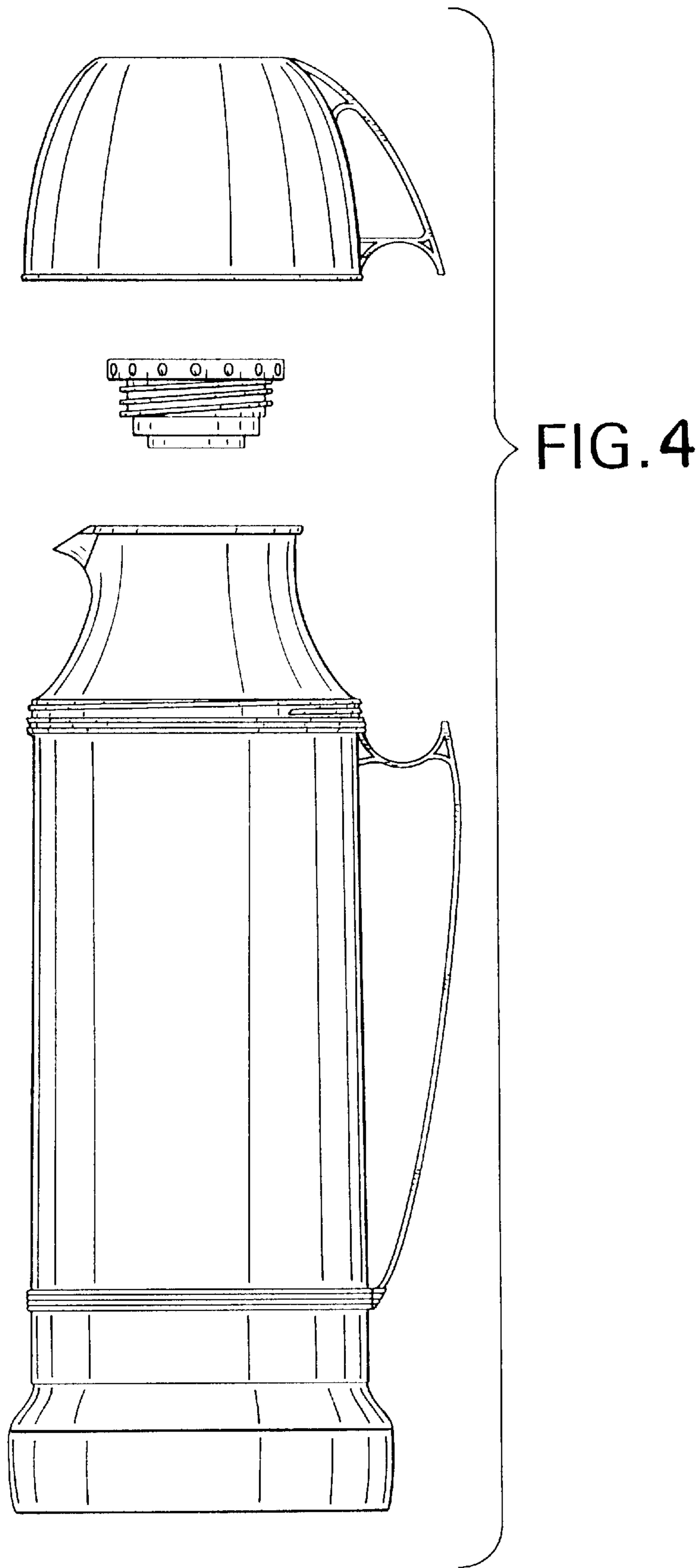


FIG. 7

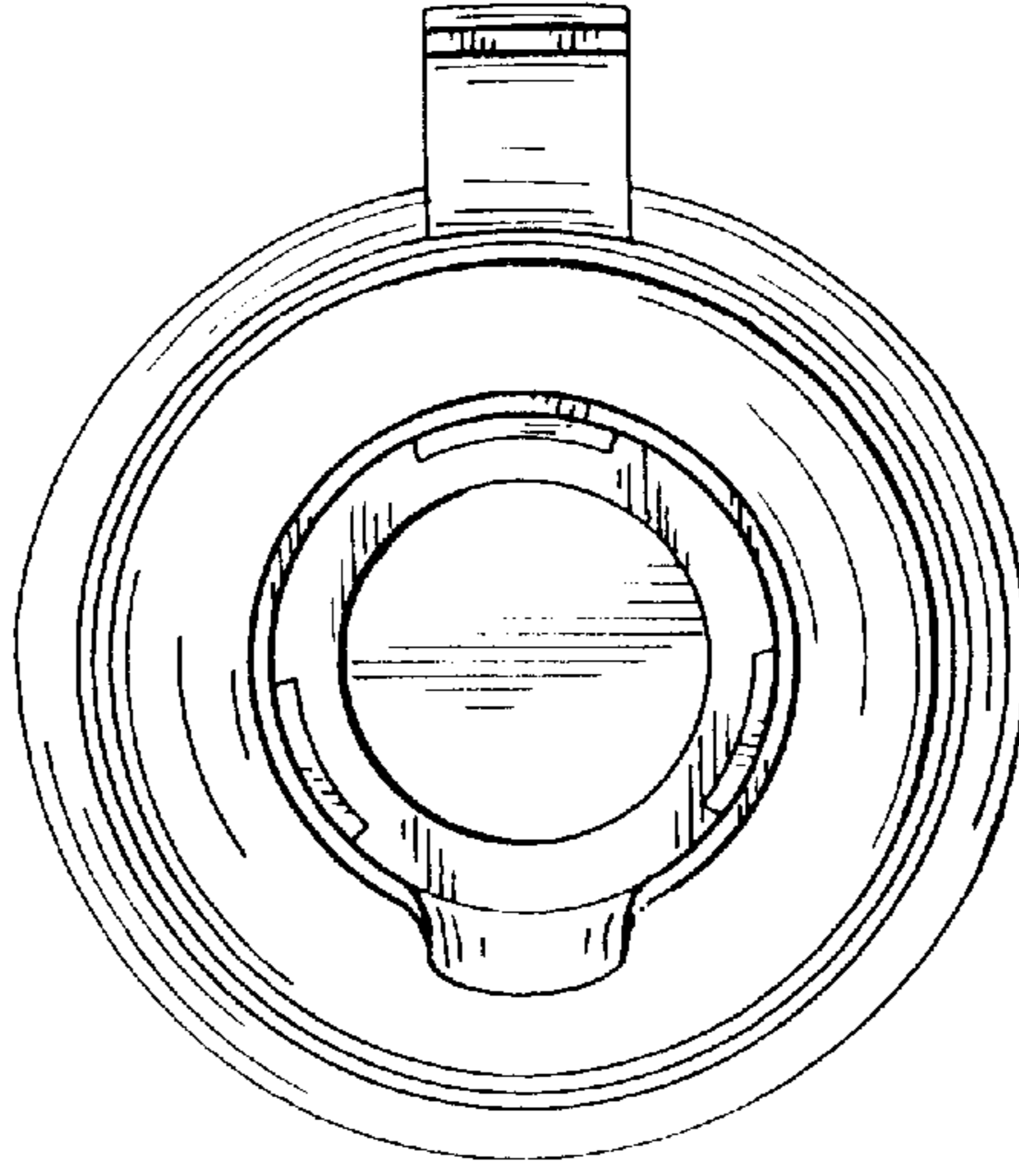


FIG. 6

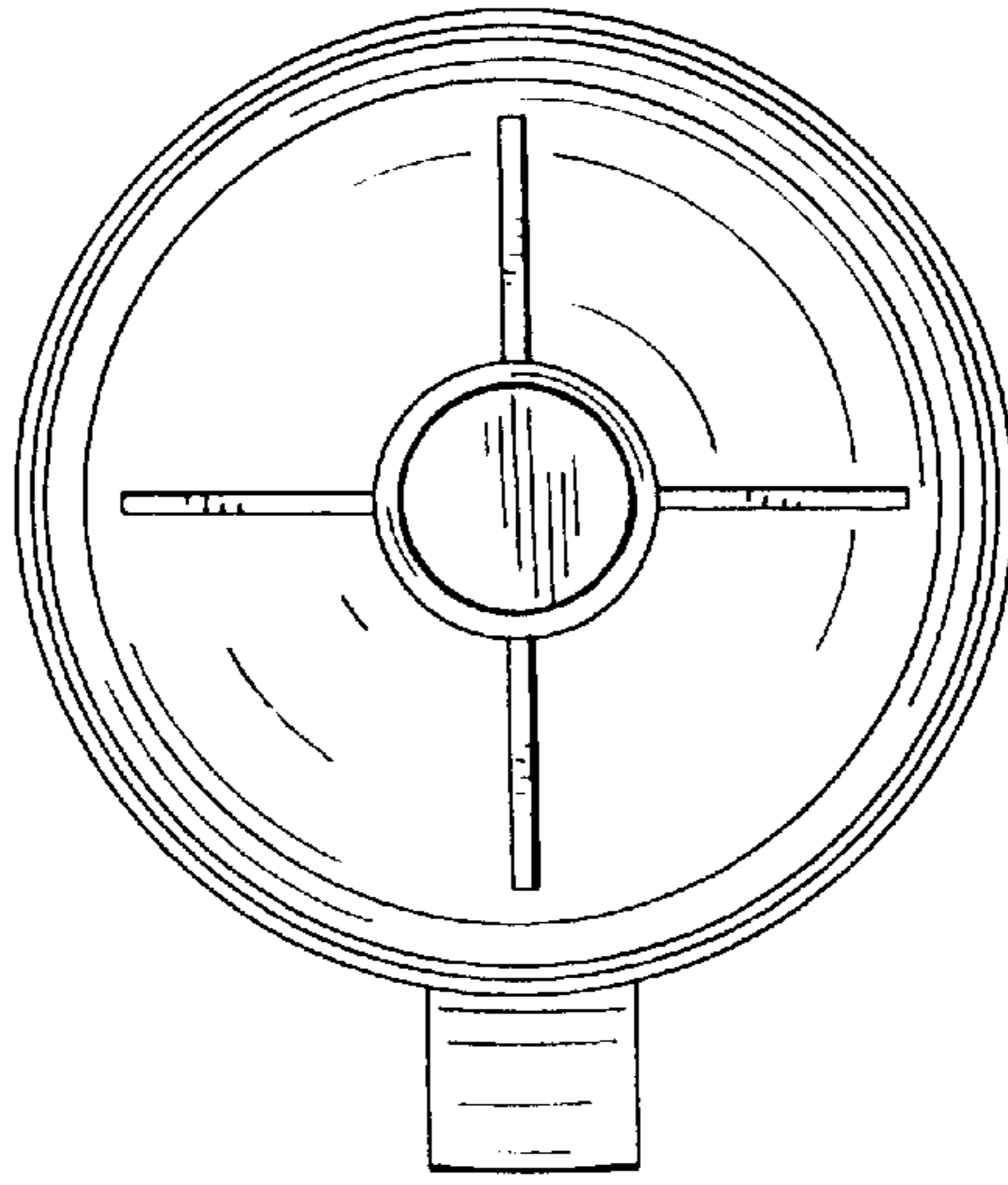


FIG. 5

