



US00D410174S

United States Patent [19] Sheu

[11] Patent Number: **Des. 410,174**

[45] Date of Patent: **** May 25, 1999**

[54] **THERMAL CUP**

[76] Inventor: **James Sheu**, P.O. Box 82-144, Taipei, Taiwan

[**] Term: **14 Years**

[21] Appl. No.: **29/093,618**

[22] Filed: **Sep. 15, 1998**

[51] **LOC (6) Cl.** **07-01**

[52] **U.S. Cl.** **D7/510; D7/511; D7/532**

[58] **Field of Search** D7/510, 511, 509, D7/523, 532, 605, 608, 619; D9/503, 538; 220/715, 713, 714; 215/229

[56] **References Cited**

U.S. PATENT DOCUMENTS

D. 212,279	9/1968	Bennett et al.	D7/532
D. 354,657	1/1995	Kramer	D7/511
D. 362,156	9/1995	Goto et al.	D7/511
D. 365,247	12/1995	Sokolski et al.	D7/511
D. 377,293	1/1997	Husted	D7/510
D. 387,619	12/1997	Gross et al.	D7/510

D. 397,905	9/1998	Hsu	D7/510 X
D. 398,187	9/1998	Parker	D7/510 X
4,099,642	7/1978	Nergard	220/713
4,136,799	1/1979	Albert	220/713
5,456,380	10/1995	Ito et al.	220/713

*Primary Examiner—M. N. Pandozzi
Attorney, Agent, or Firm—A & J*

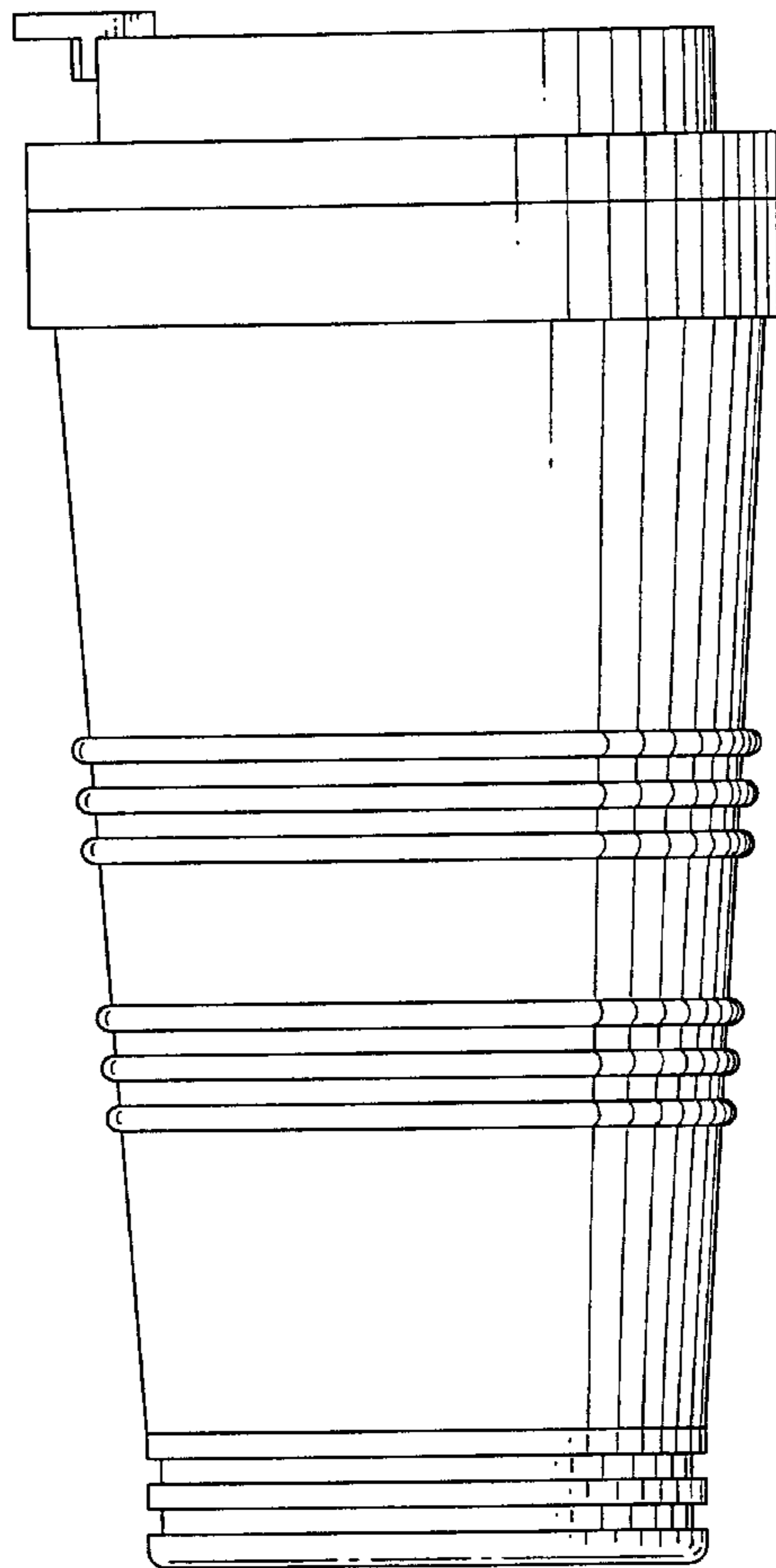
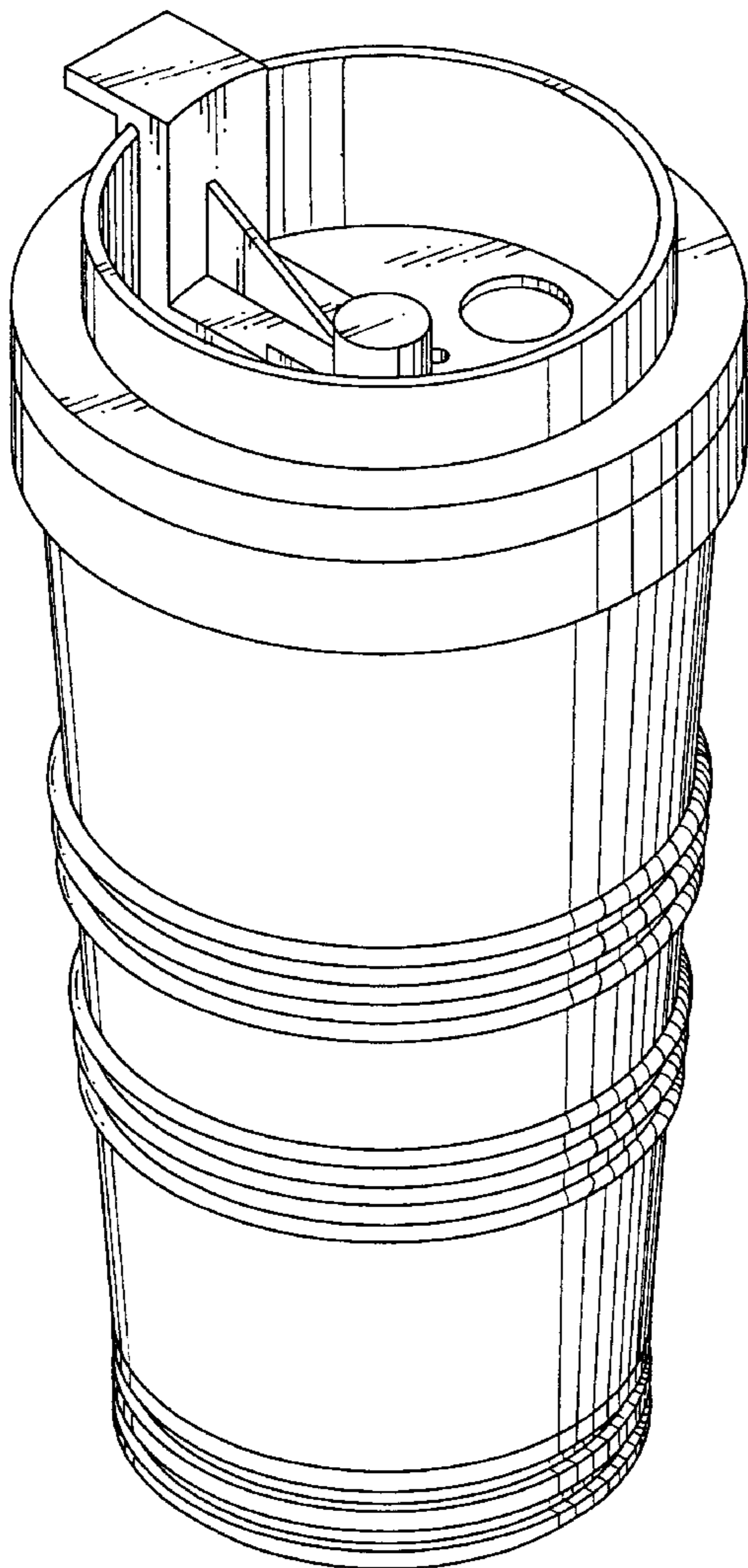
[57] **CLAIM**

The ornamental design for a thermal cup, as shown and described.

DESCRIPTION

FIG. 1 is a perspective view of a thermal cup showing my new design;
FIG. 2 is a front view thereof;
FIG. 3 is a rear view thereof;
FIG. 4 is a left side elevational view thereof;
FIG. 5 is a right side elevational view thereof;
FIG. 6 is a top plan view thereof; and,
FIG. 7 is a bottom plan view thereof.

1 Claim, 6 Drawing Sheets



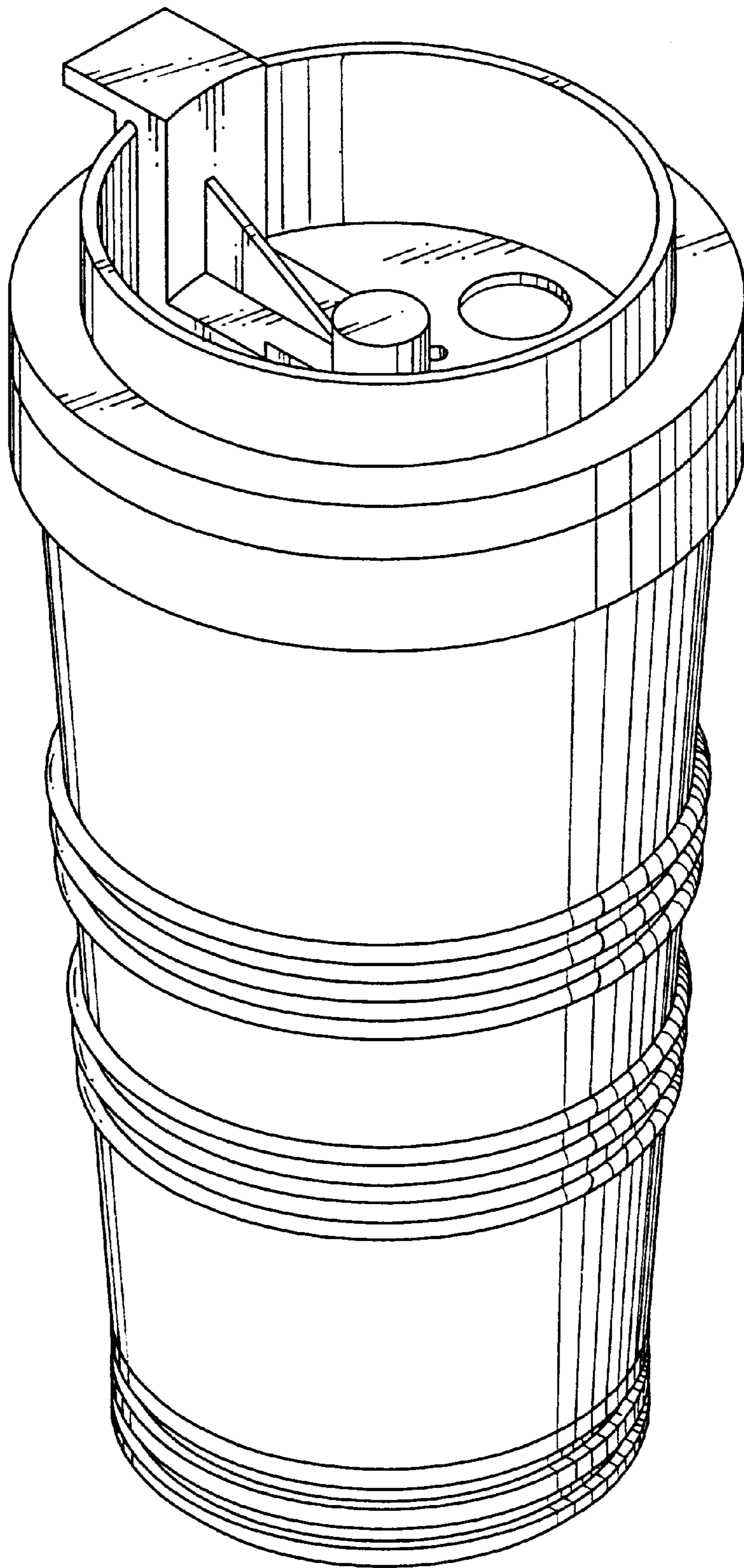


FIG.1

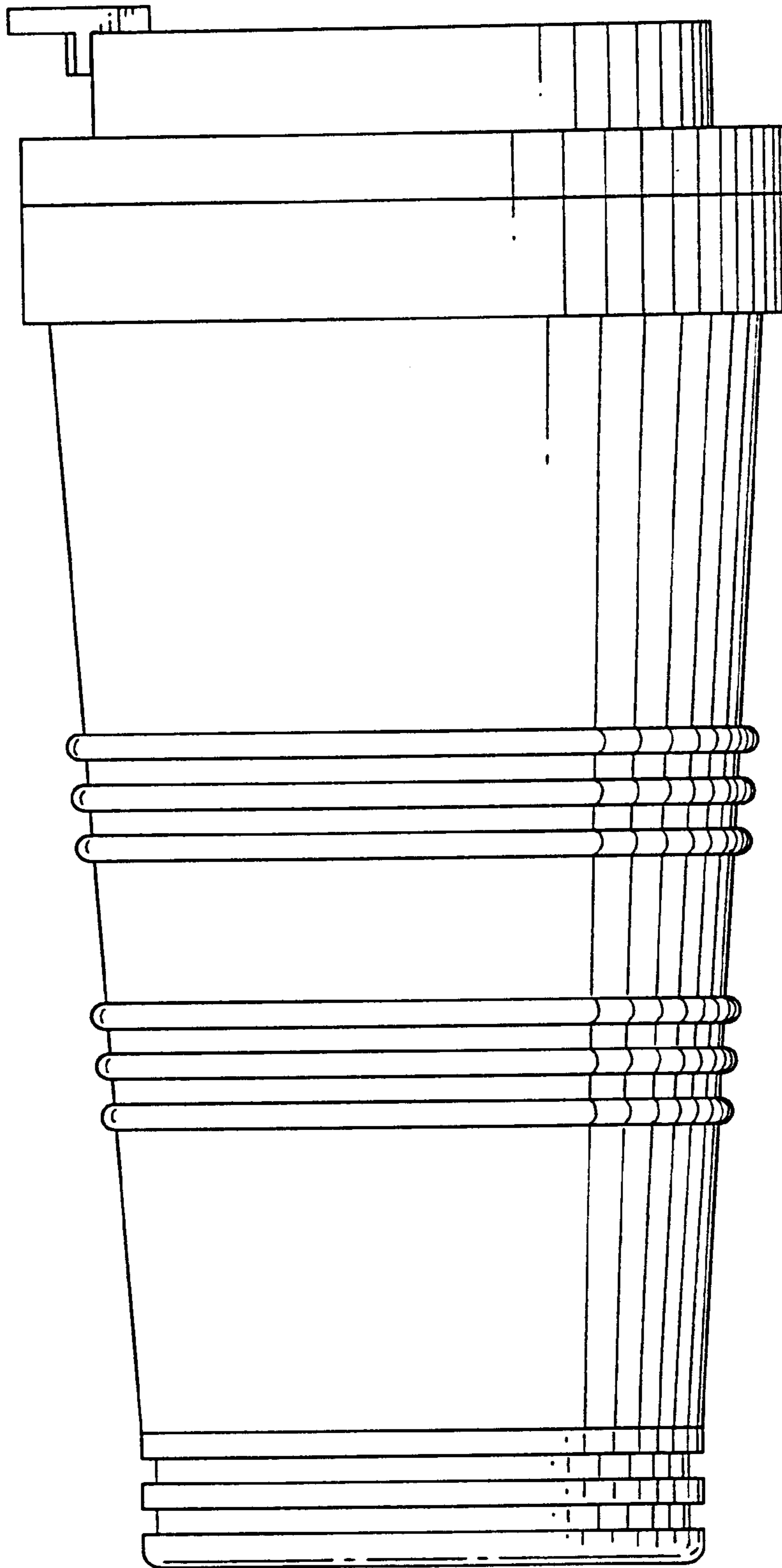


FIG.2

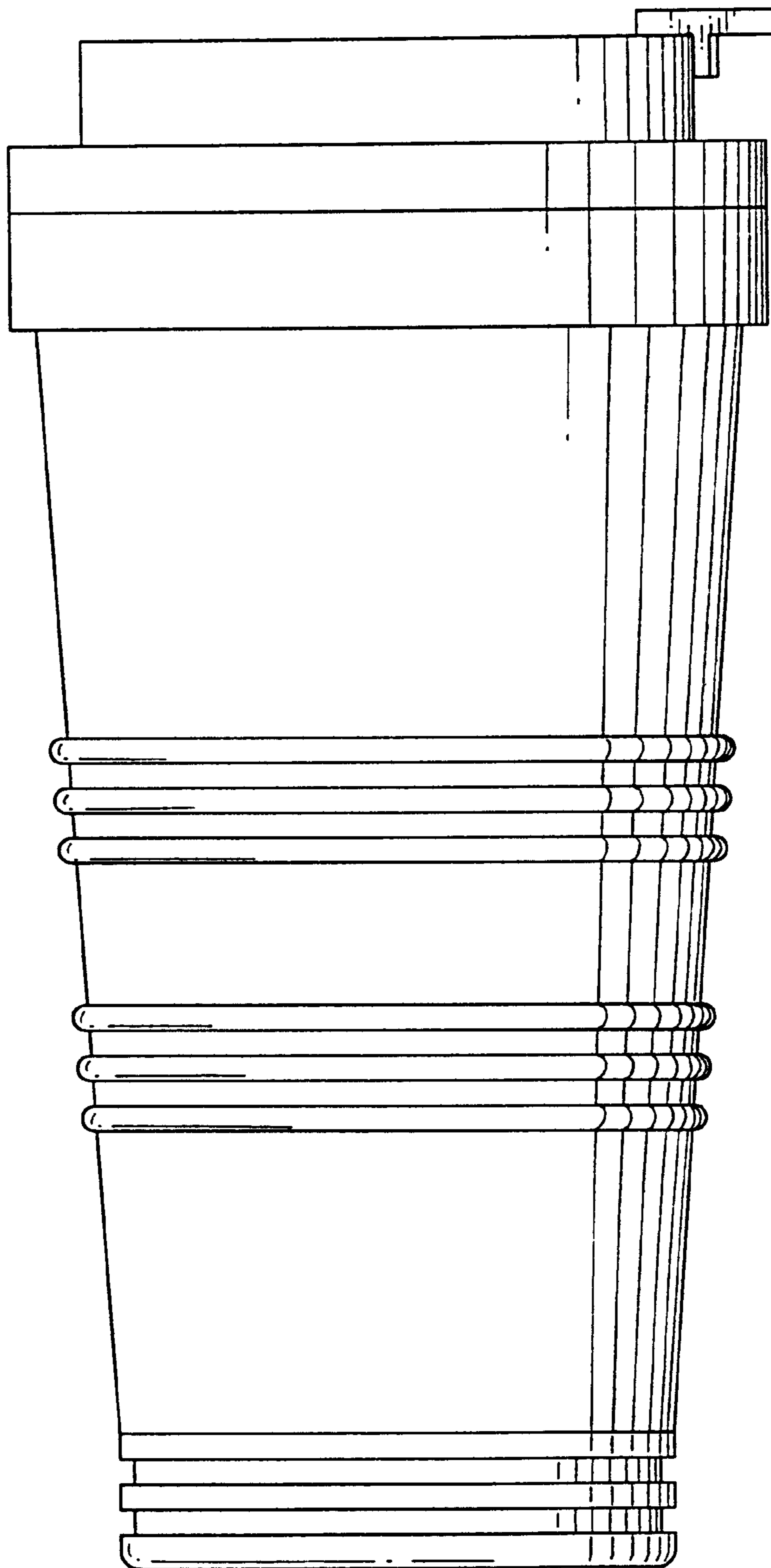


FIG.3

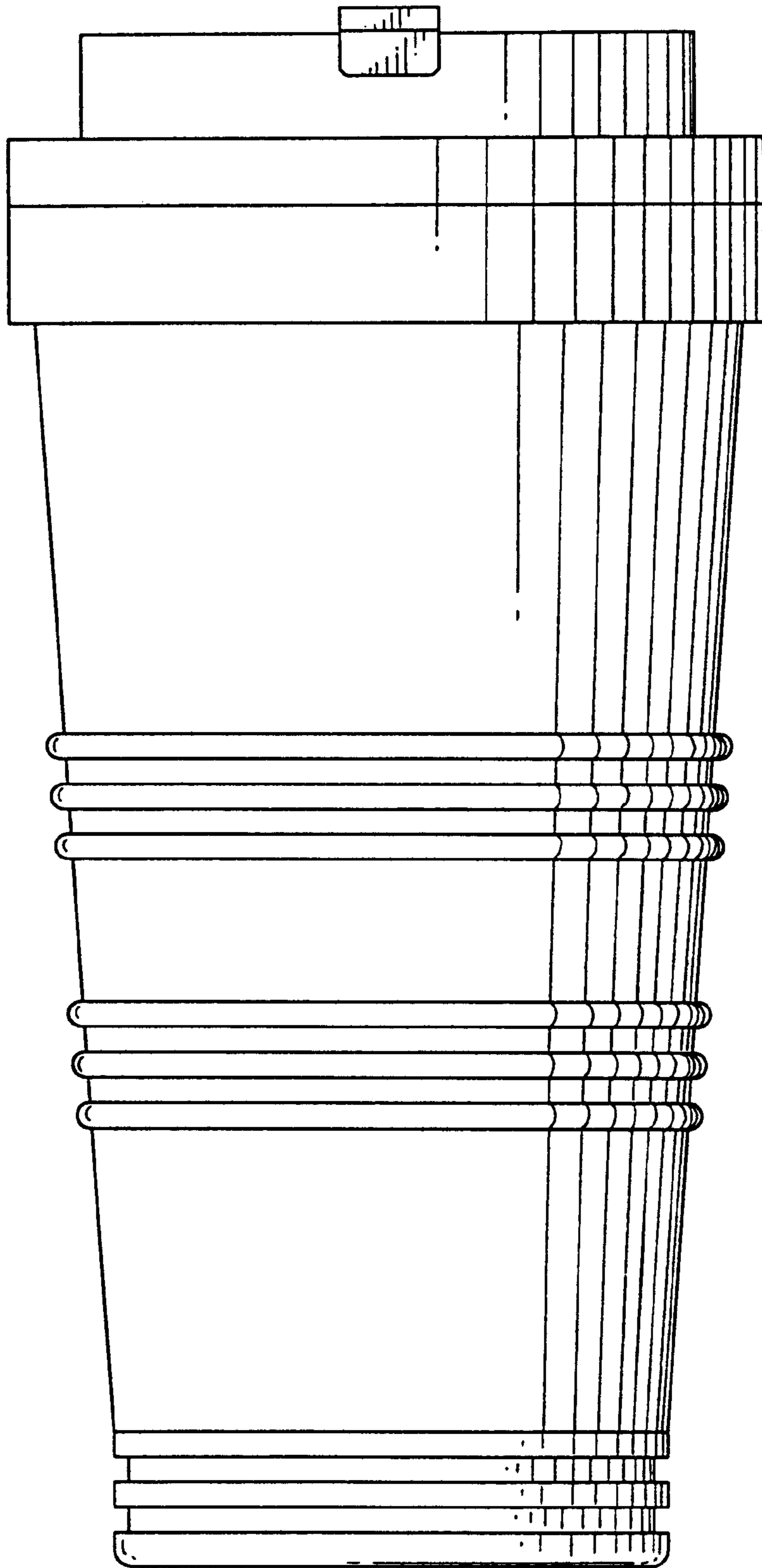


FIG. 4

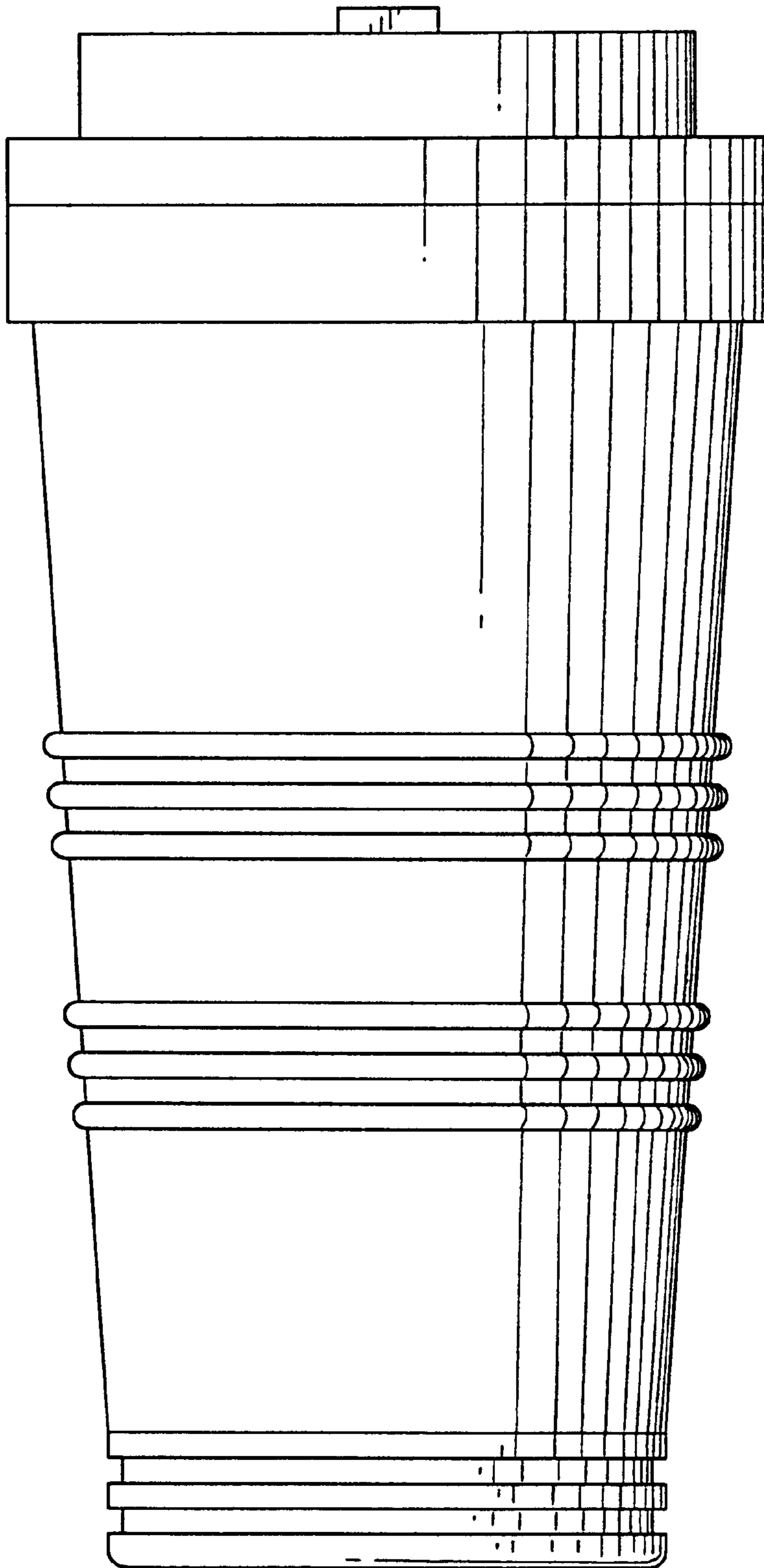


FIG.5

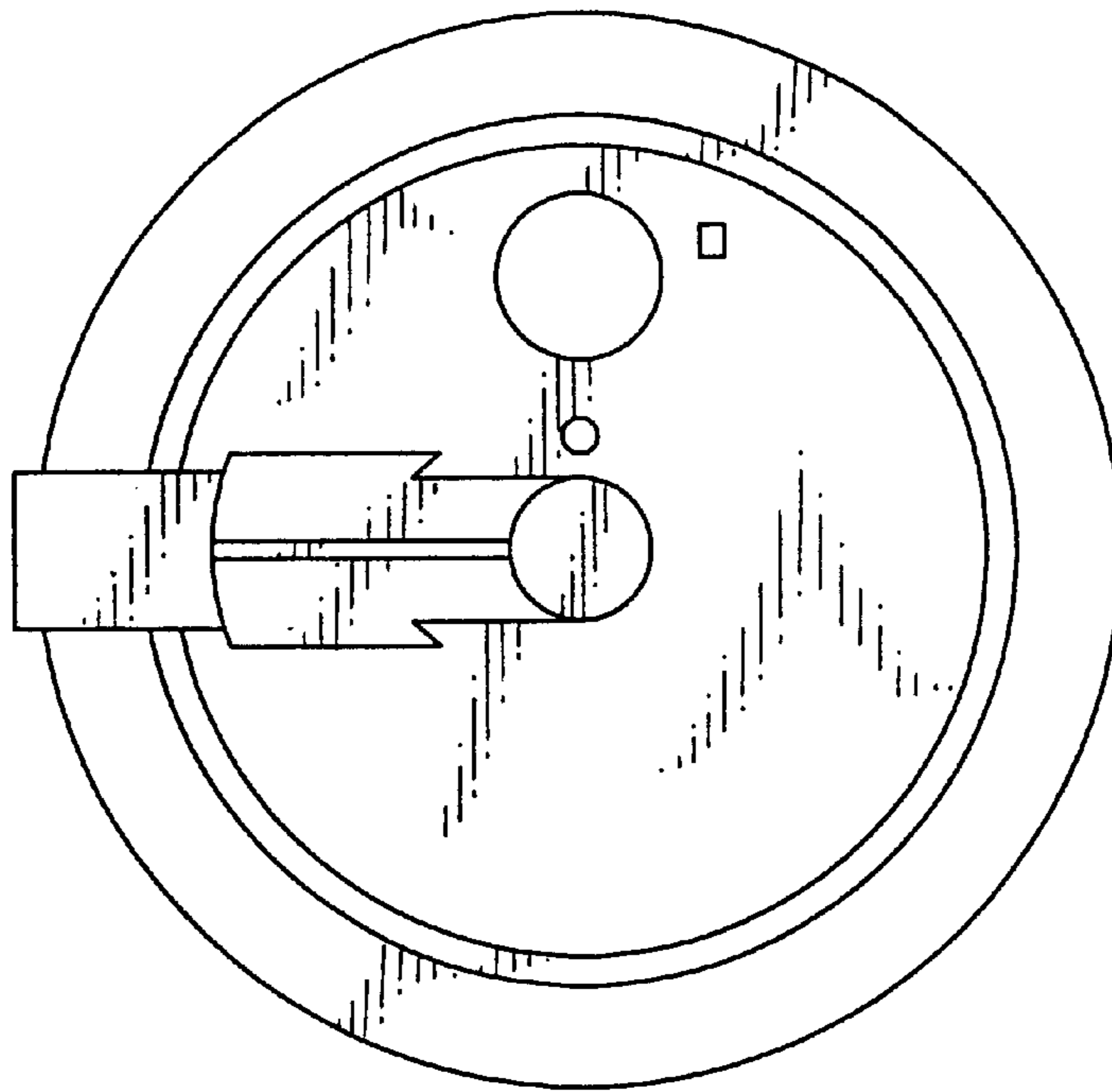


FIG. 6

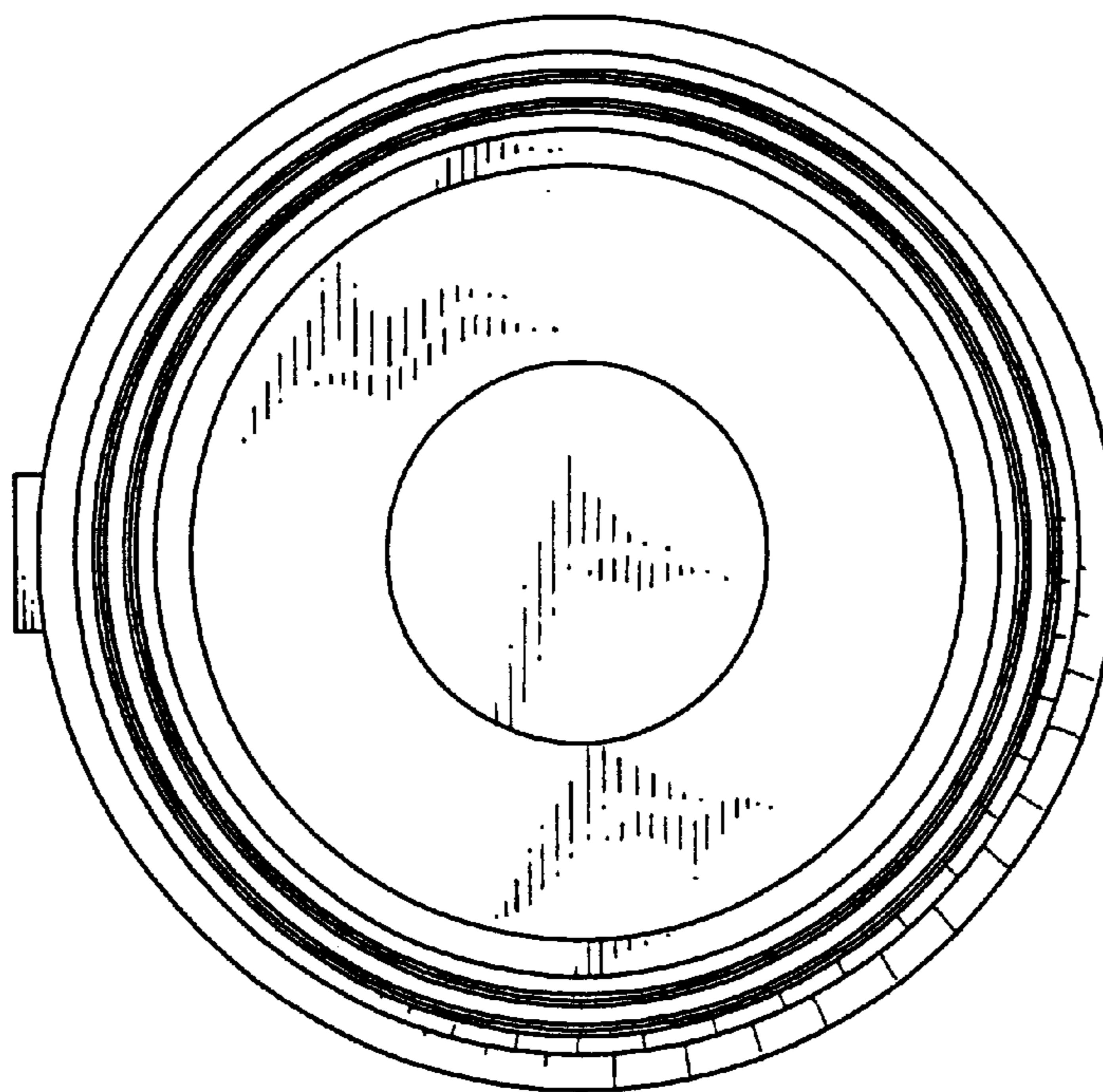


FIG. 7