



US00D410173S

United States Patent [19]

Best

[11] **Patent Number: Des. 410,173**

[45] **Date of Patent: ** May 25, 1999**

[54] **PEDESTAL FOR AN OUTDOOR GRILL**

[76] Inventor: **Willie H. Best**, 18-C The Heritage 1829 Senate St., Columbia, S.C. 29201

[**] Term: **14 Years**

[21] Appl. No.: **29/080,362**

[22] Filed: **Dec. 3, 1997**

[51] **LOC (6) Cl. 07-02**

[52] **U.S. Cl. D7/403; D7/332**

[58] **Field of Search** D7/332-337, 339-341, D7/347-348, 402-405; 126/9 R, 25 R, 25 A-25 AA, 26, 29-30, 38, 39 E, 39 L, 39 B, 40, 41 R, 50-51; 99/419-420, 421 R, 421 H, 443 R-443 C, 422, 425, 444, 446; D6/451, 486, 419, 495, 432-433, 445-446, 448-449; 248/346.01

[56] **References Cited**

U.S. PATENT DOCUMENTS

D. 222,870 1/1972 Bearinger D7/332

D. 251,167 2/1979 Isles D6/177
D. 279,536 7/1985 Braswell D7/335
D. 361,218 8/1995 Hassel et al. D6/425
D. 361,228 8/1995 Hassel et al. D6/479
D. 383,278 9/1997 Jennings D34/1

Primary Examiner—Ruth McInroy
Attorney, Agent, or Firm—Womble Carlyle Sandridge & Rice, PLLC

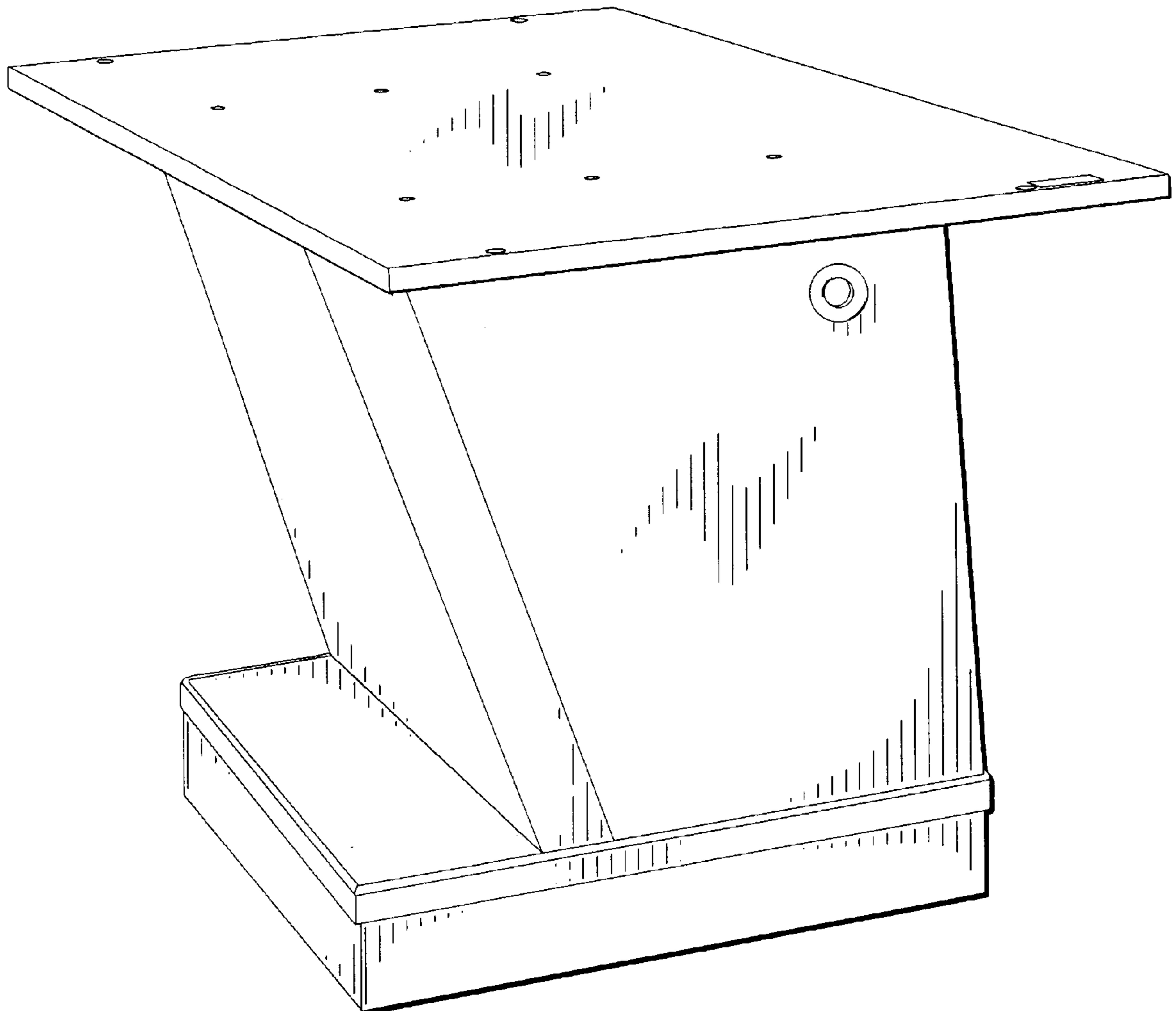
[57] **CLAIM**

The ornamental design for a pedestal for an outdoor grill, as shown.

DESCRIPTION

FIG. 1 is a top, front, and left side perspective view of a pedestal for an outdoor grill showing my new design; FIG. 2 is a front elevational view thereof; FIG. 3 is a right side elevational view thereof; FIG. 4 is a left side elevational view thereof; FIG. 5 is a rear elevational view thereof; FIG. 6 is a top plan view thereof; and, FIG. 7 is a bottom plan view thereof.

1 Claim, 4 Drawing Sheets



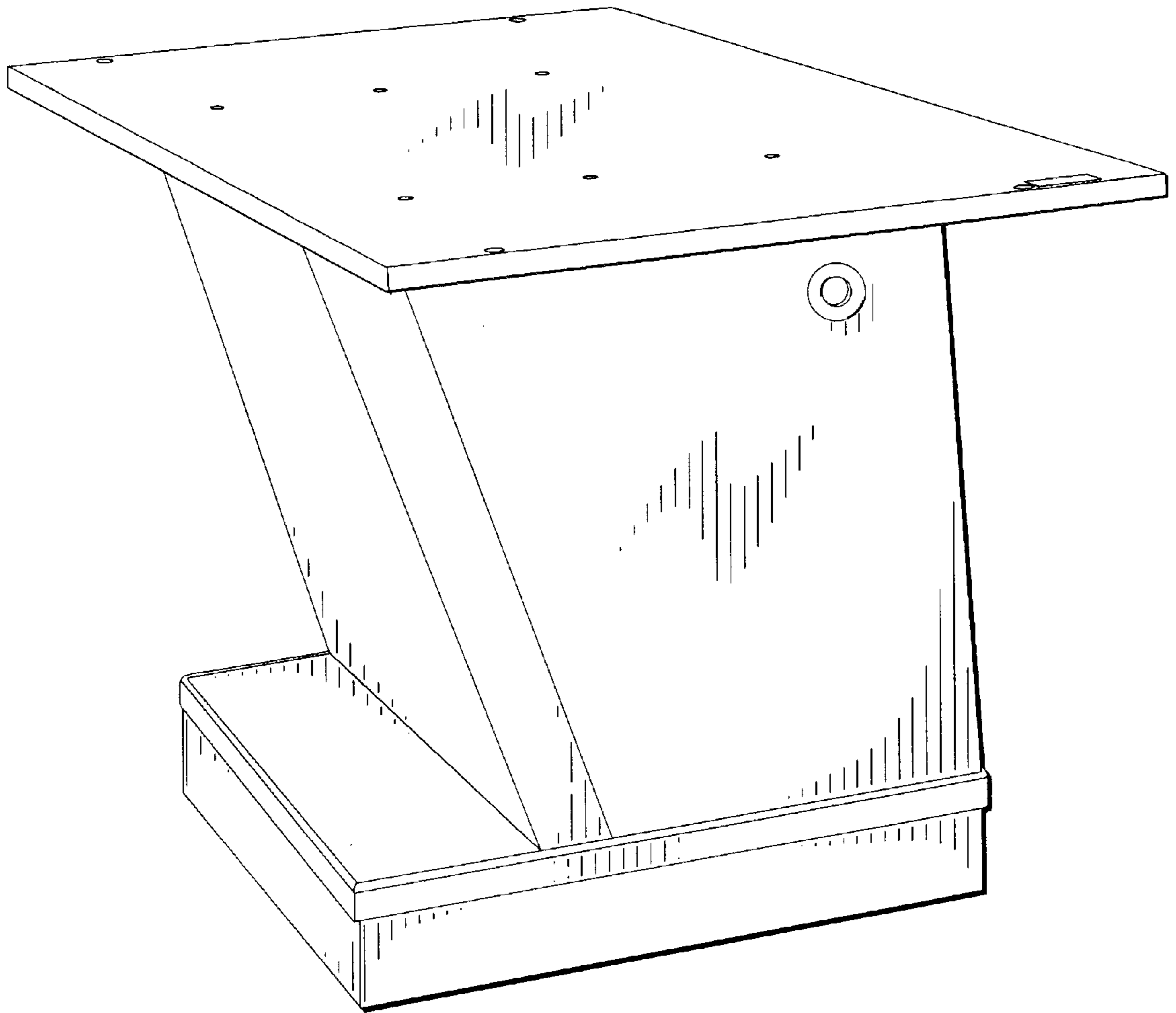


FIG. 1

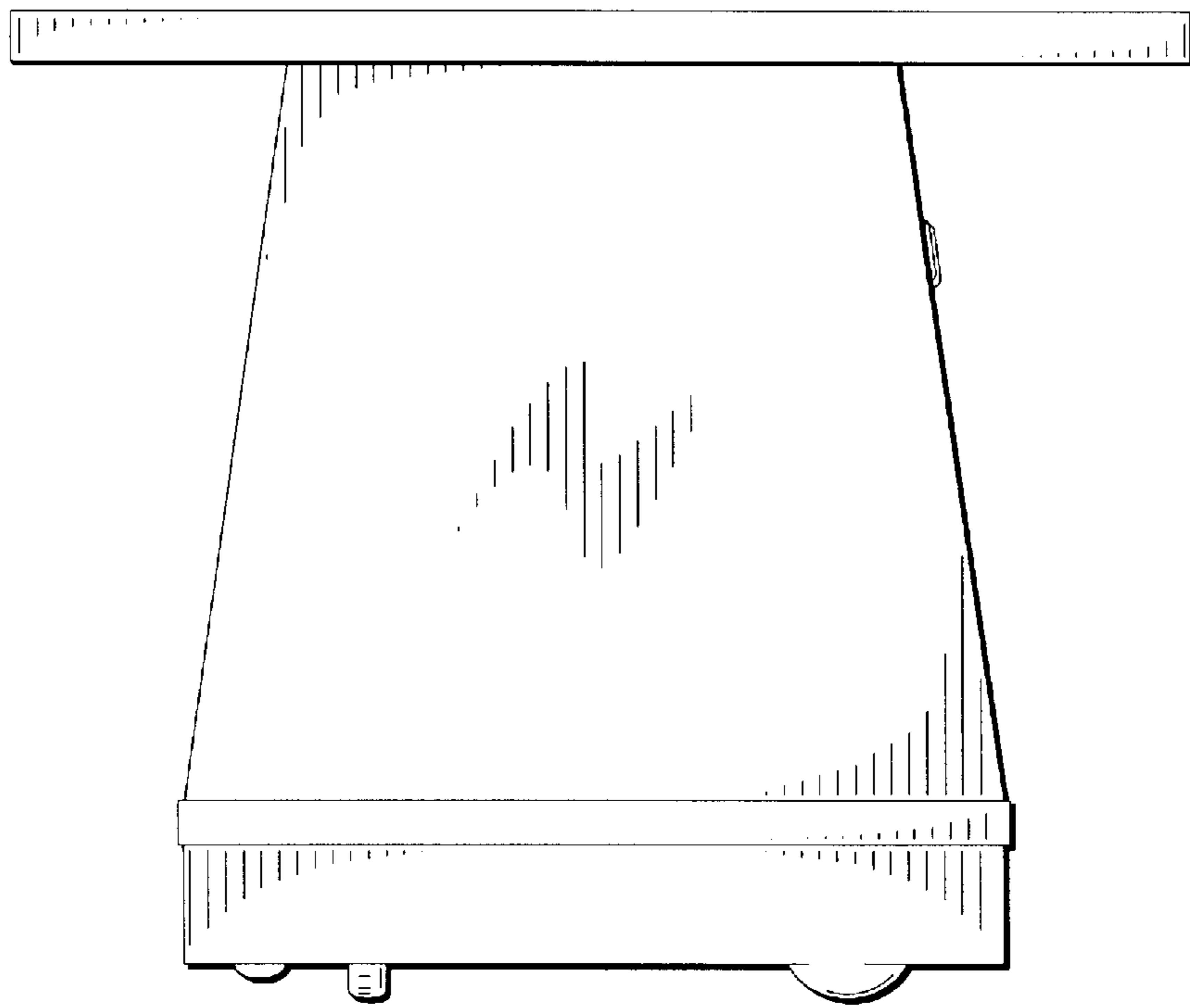


FIG. 2

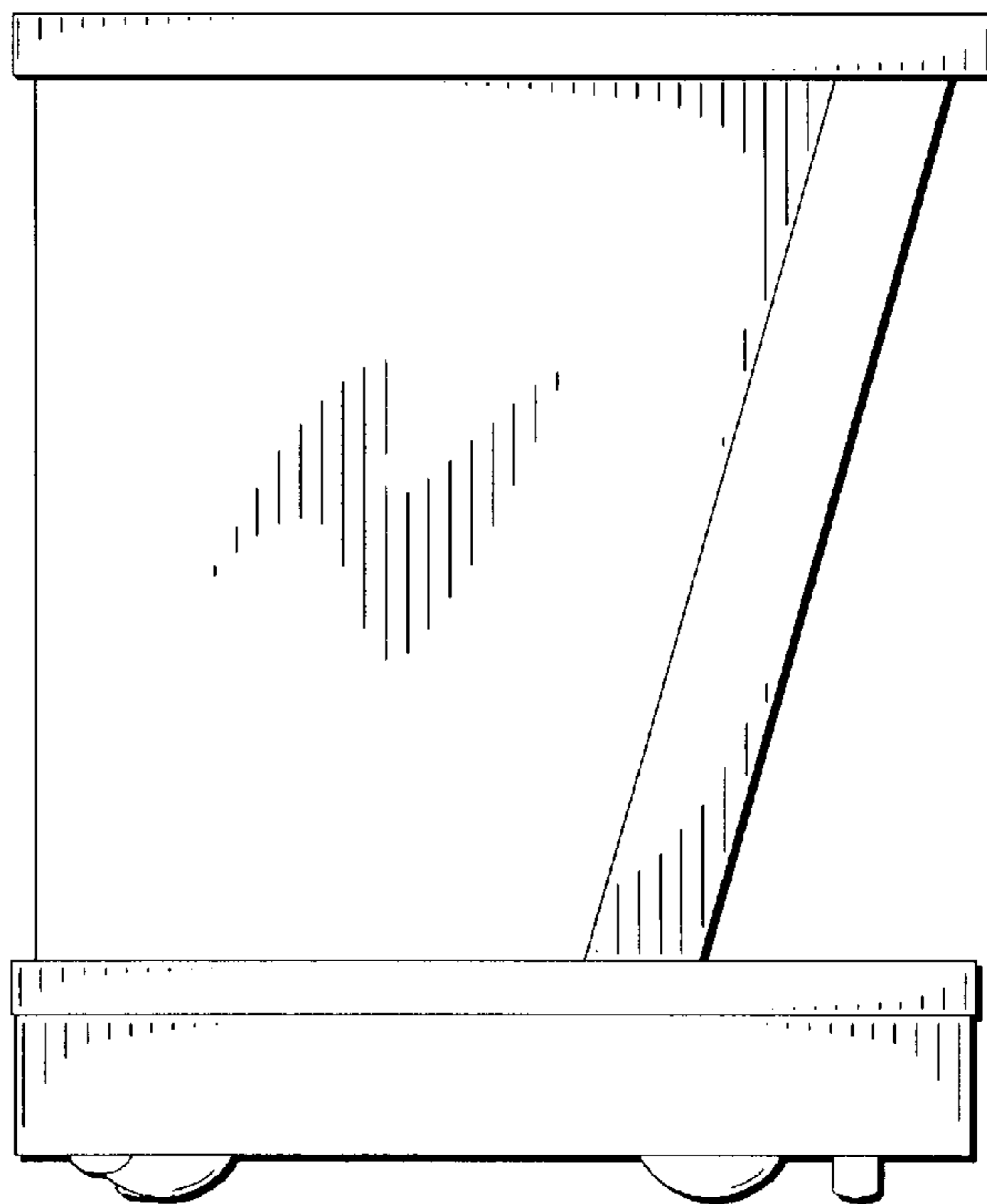


FIG. 3

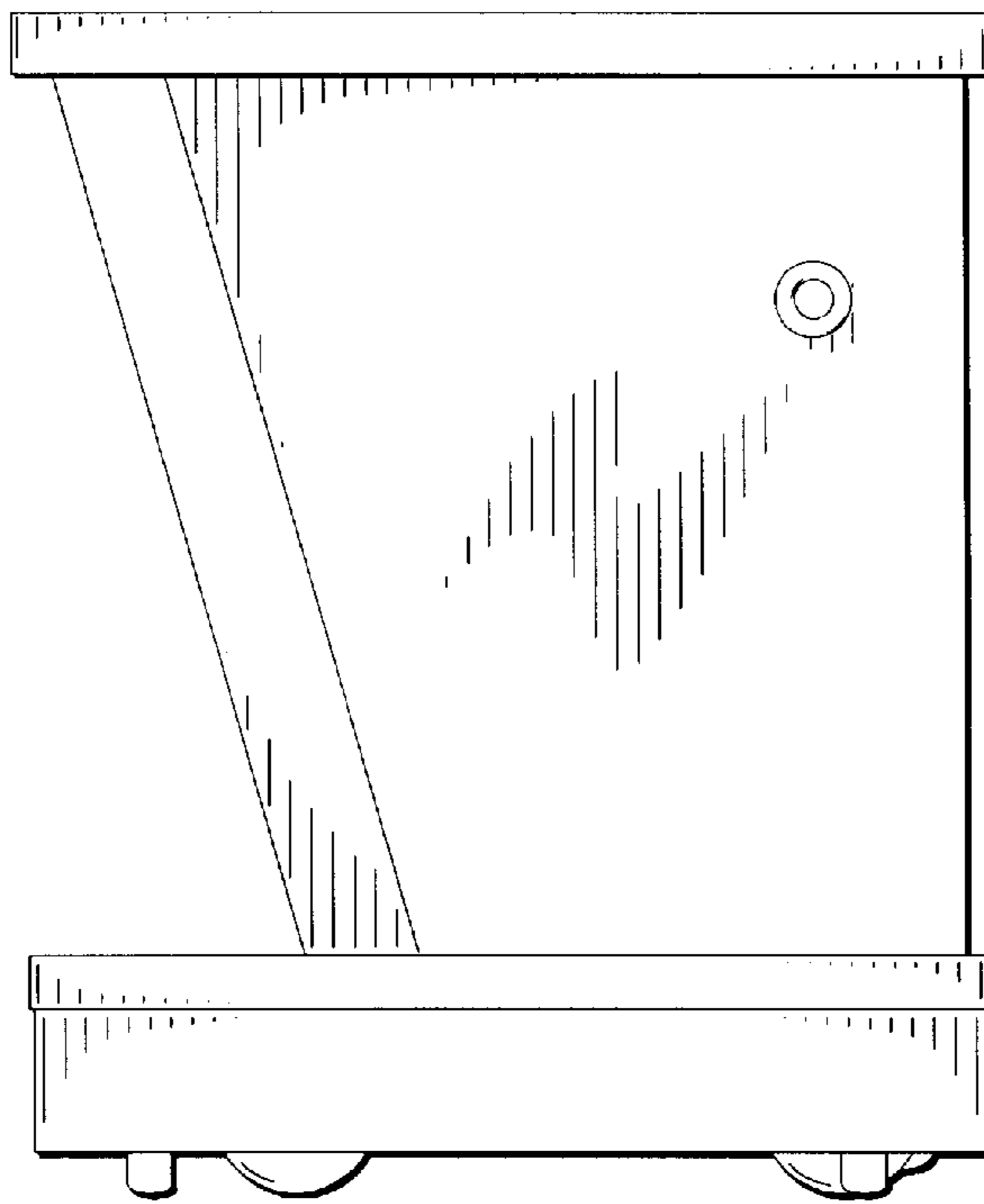


FIG. 4

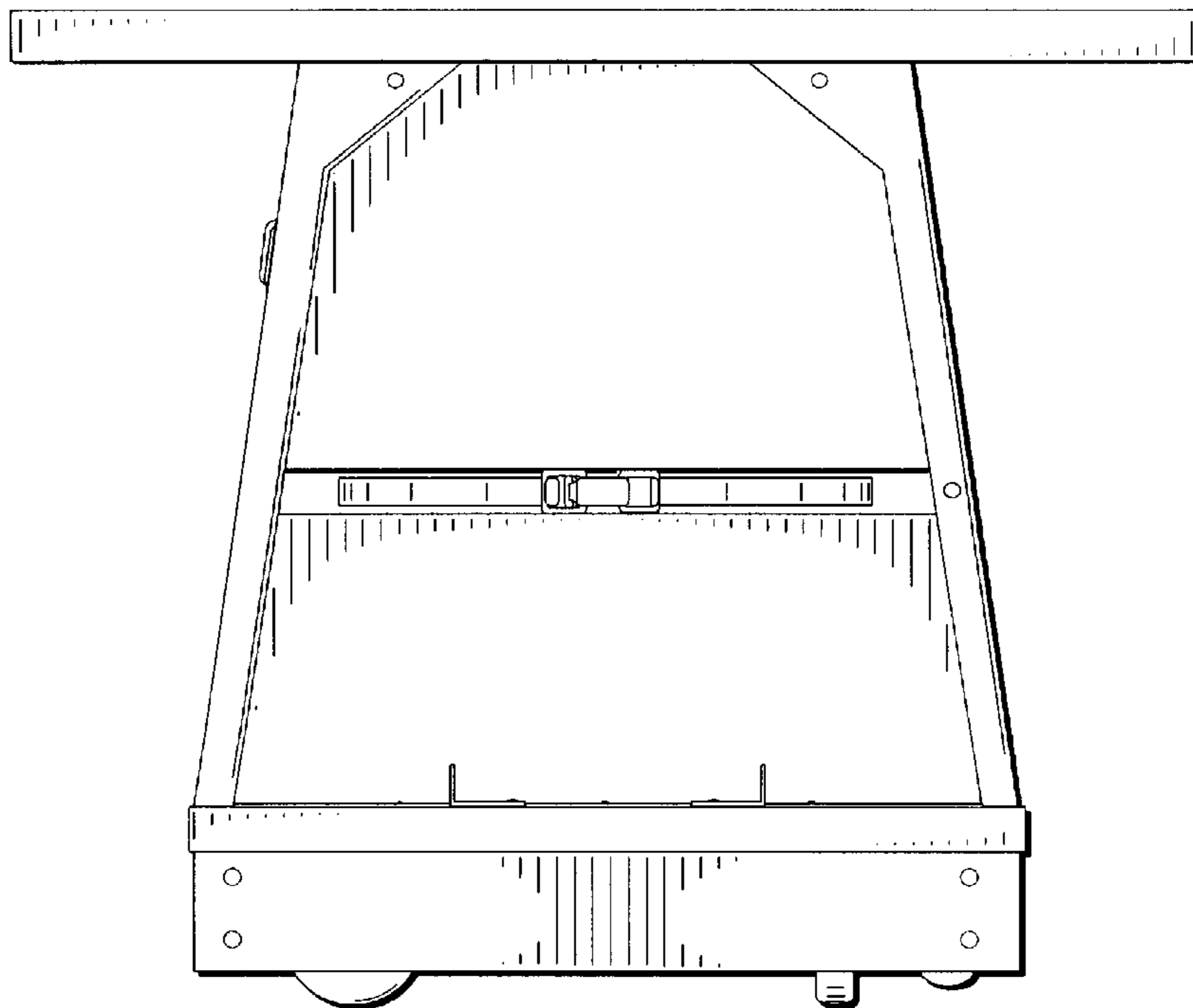


FIG. 5

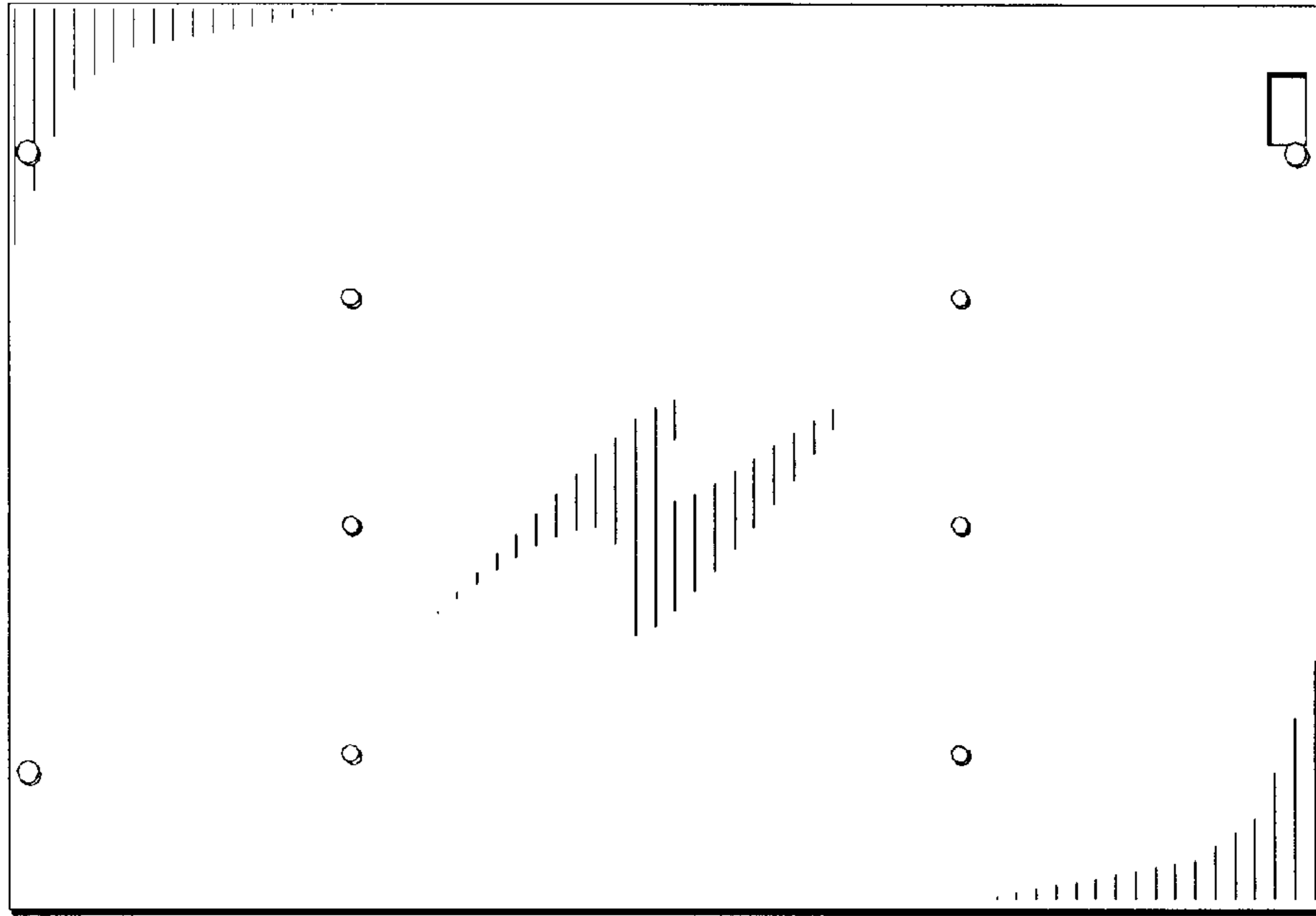


FIG. 6

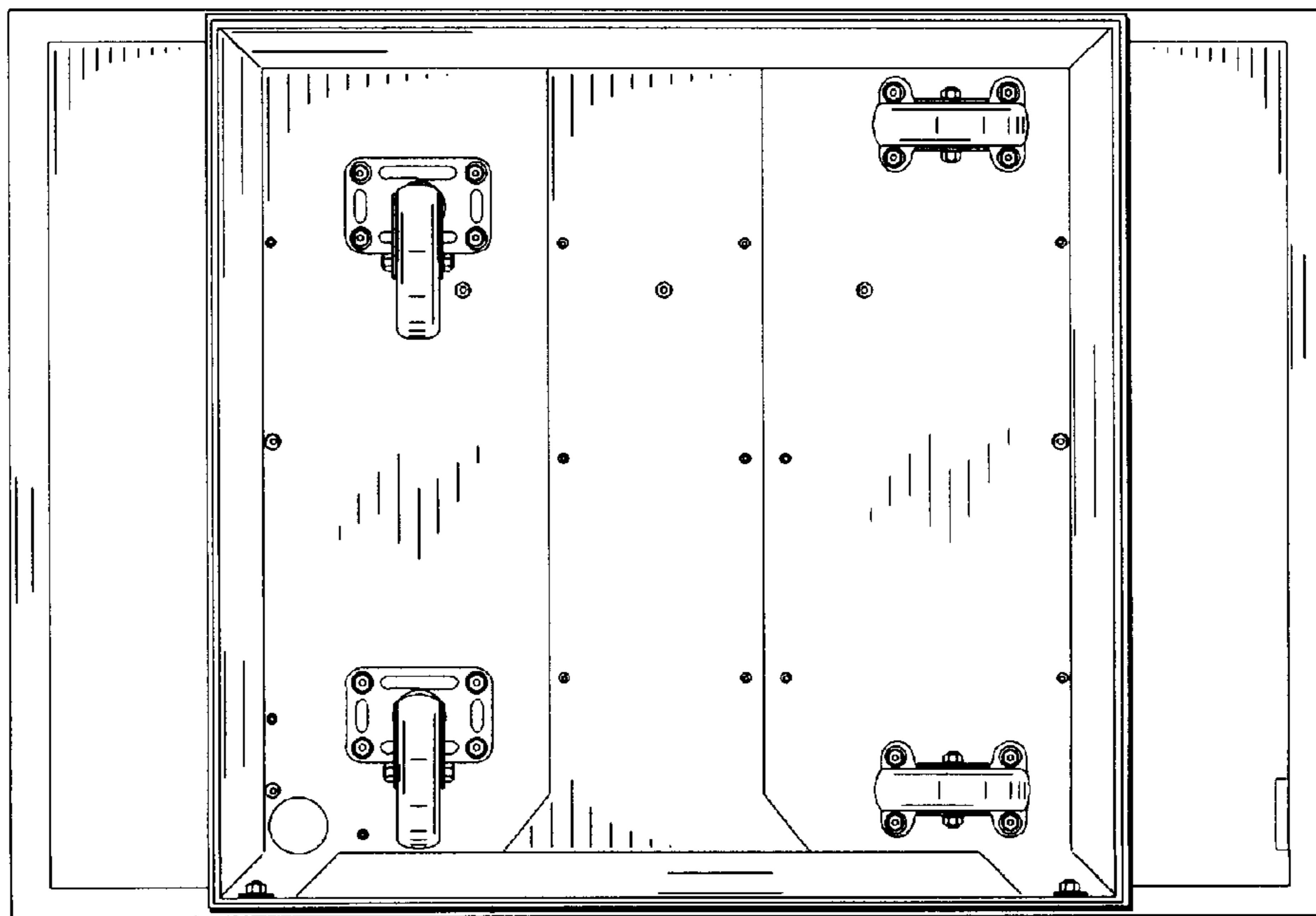


FIG. 7