



US00D410171S

**United States Patent** [19]  
**Lallemand**

[11] **Patent Number: Des. 410,171**  
[45] **Date of Patent: \*\* May 25, 1999**

[54] **PLASTIC COFFEE MILL**  
[75] Inventor: **Thomas Lallemand**, Paris, France  
[73] Assignee: **SEB**, Selongey, France  
[\*\*] Term: **14 Years**  
[21] Appl. No.: **29/072,362**  
[22] Filed: **Jun. 16, 1997**  
[30] **Foreign Application Priority Data**  
Dec. 19, 1996 [FR] France ..... 967241  
[51] **LOC (6) Cl.** ..... **07-02**  
[52] **U.S. Cl.** ..... **D7/372**  
[58] **Field of Search** ..... D7/372-374, 383-384;  
241/DIG. 17, 152.1, 95, 274, 82.1, 83,  
277, 285.1

D. 262,975 2/1982 Garriga .  
D. 318,595 7/1991 Retzlaff et al. .... D7/373  
D. 336,211 6/1993 Classen ..... D7/373  
D. 336,212 6/1993 Classen ..... D7/373  
D. 336,213 6/1993 Stutzer ..... D7/373  
D. 336,404 6/1993 Classen ..... D7/373  
D. 343,986 2/1994 Kibbe ..... D7/372

*Primary Examiner*—Ruth McInroy  
*Attorney, Agent, or Firm*—Pillsbury Madison & Sutro

[57] **CLAIM**

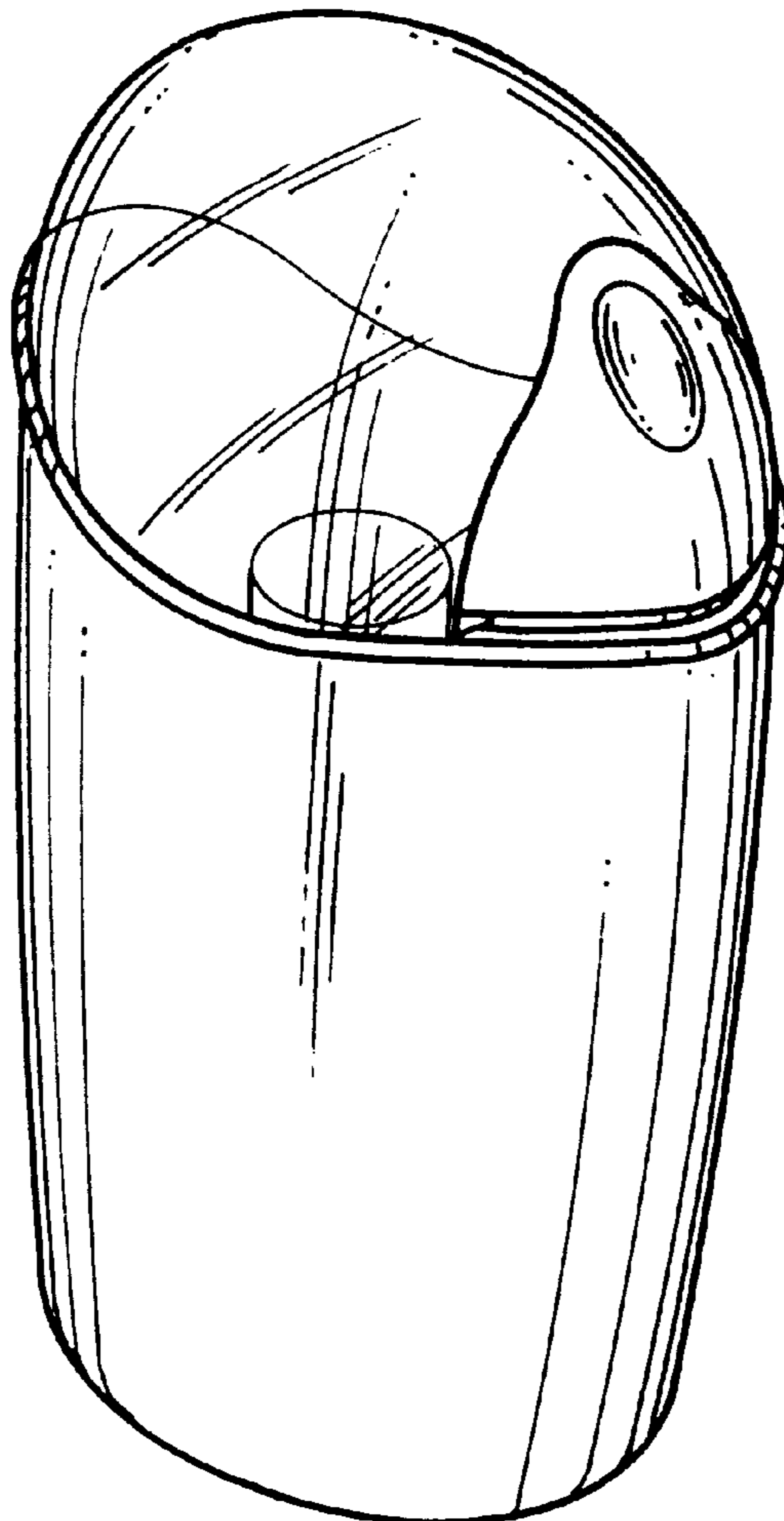
The ornamental design for a plastic coffee mill, as shown and described.

**DESCRIPTION**

FIG. 1 is a front elevational view of a plastic coffee mill showing my new design;  
FIG. 2 is a rear elevational view thereof;  
FIG. 3 is a top plan view thereof;  
FIG. 4 is a bottom plan view thereof;  
FIG. 5 is a right side elevational view thereof;  
FIG. 6 is a left side elevational view thereof; and,  
FIG. 7 is a perspective view thereof.

[56] **References Cited**  
**U.S. PATENT DOCUMENTS**  
D. 212,260 9/1968 Cabell .  
D. 218,256 8/1970 Rams .  
D. 253,157 10/1979 Cziekonski ..... D7/155

**1 Claim, 3 Drawing Sheets**



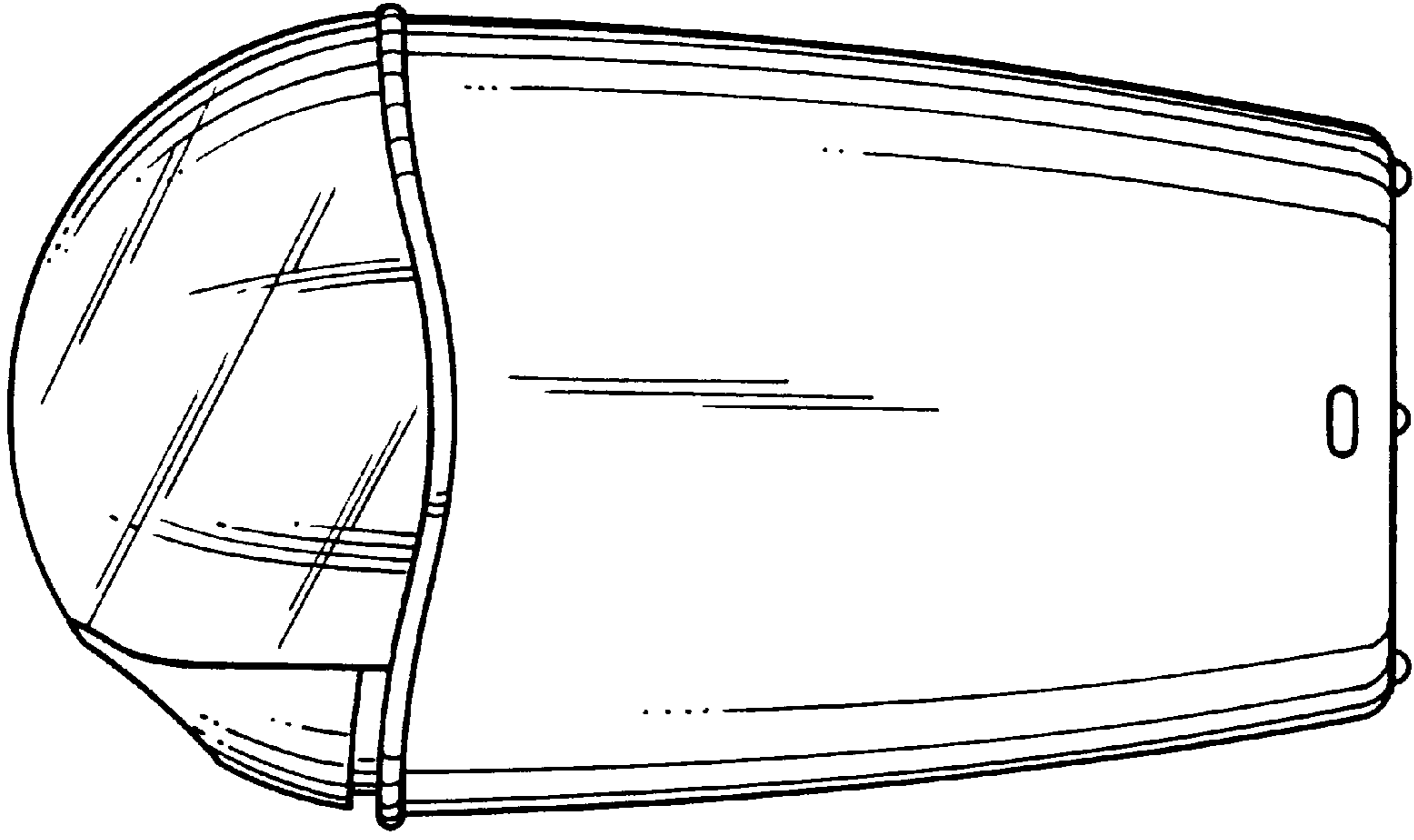


FIG. 1

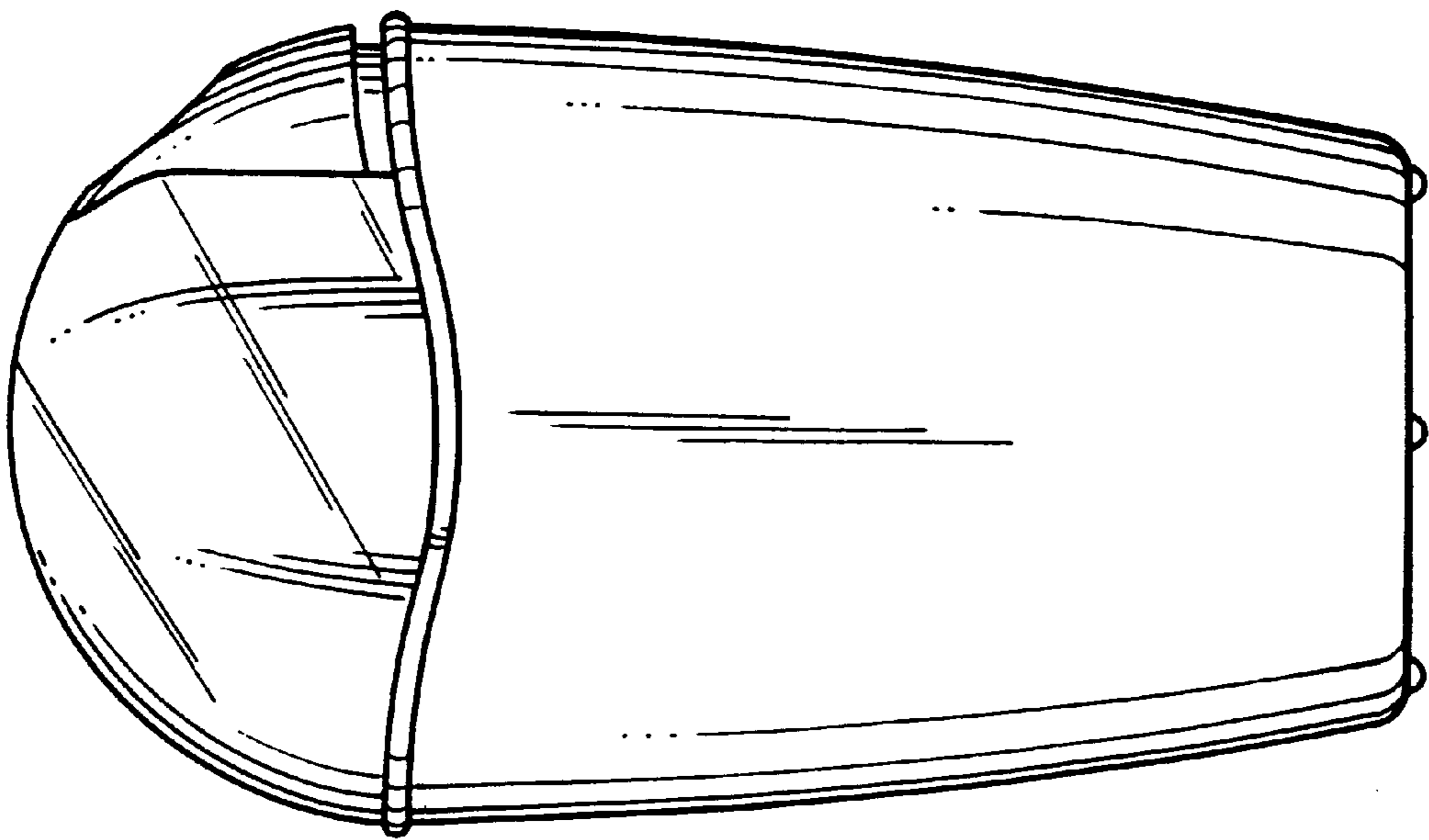


FIG. 2

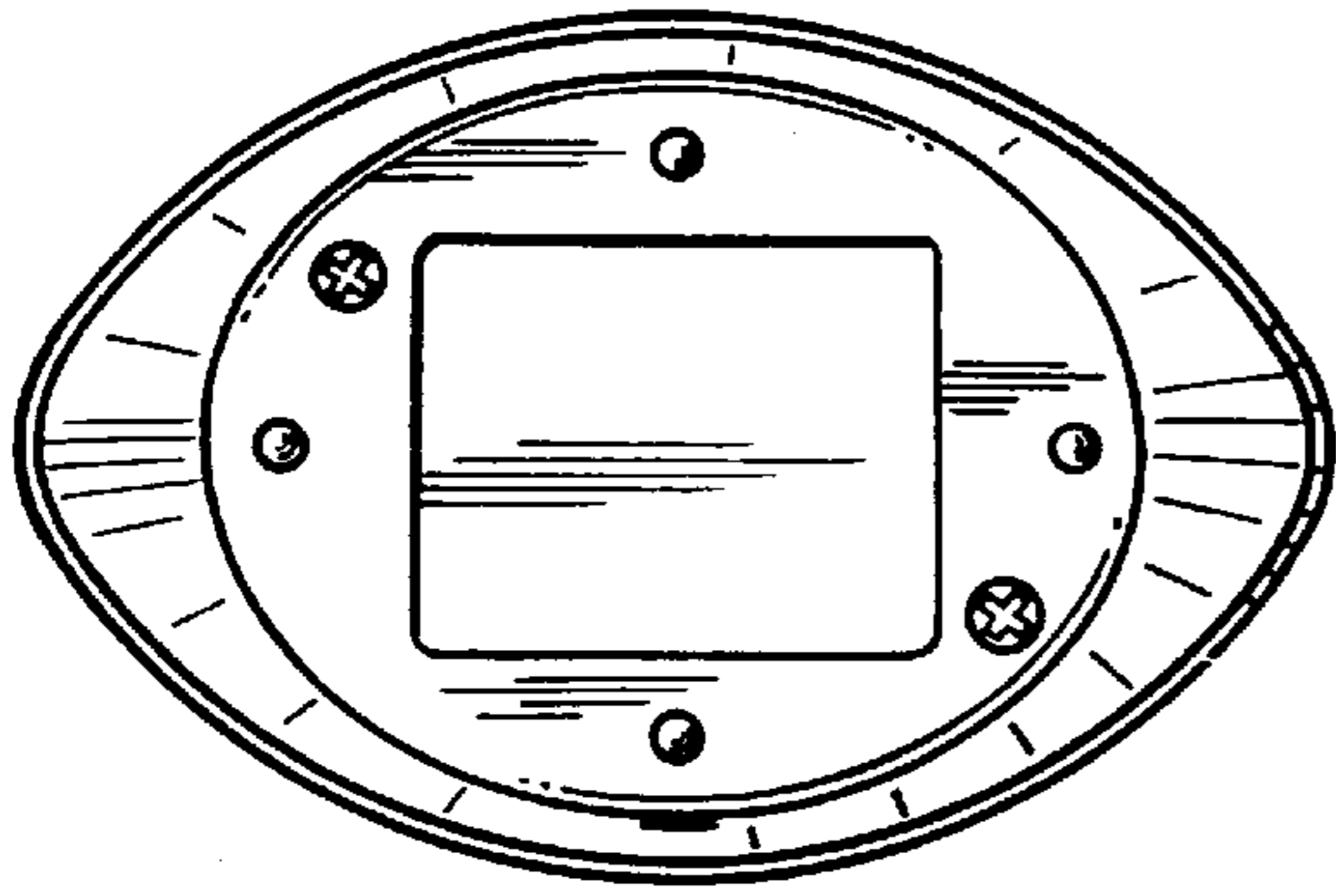


FIG. 4

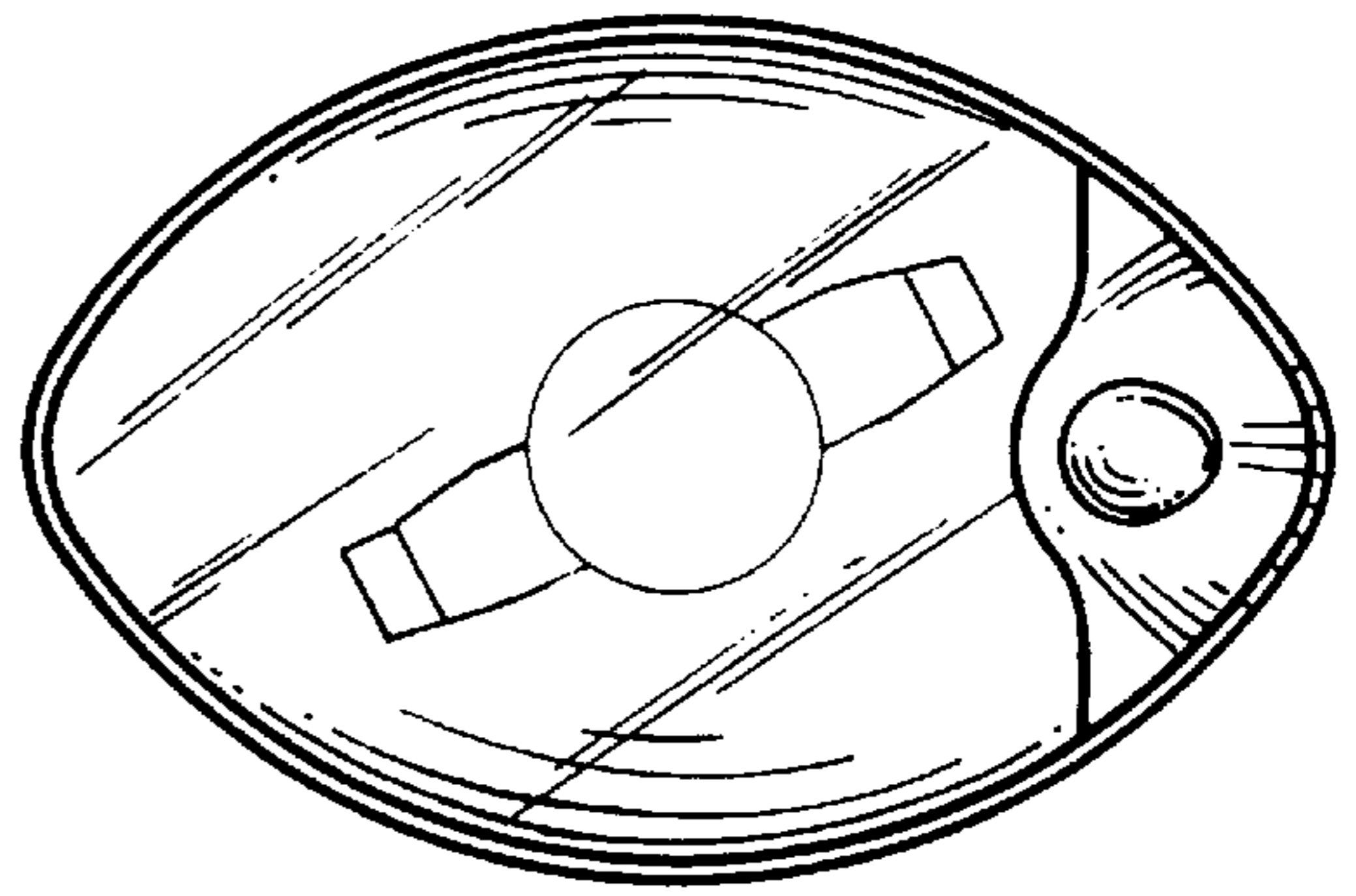


FIG. 3

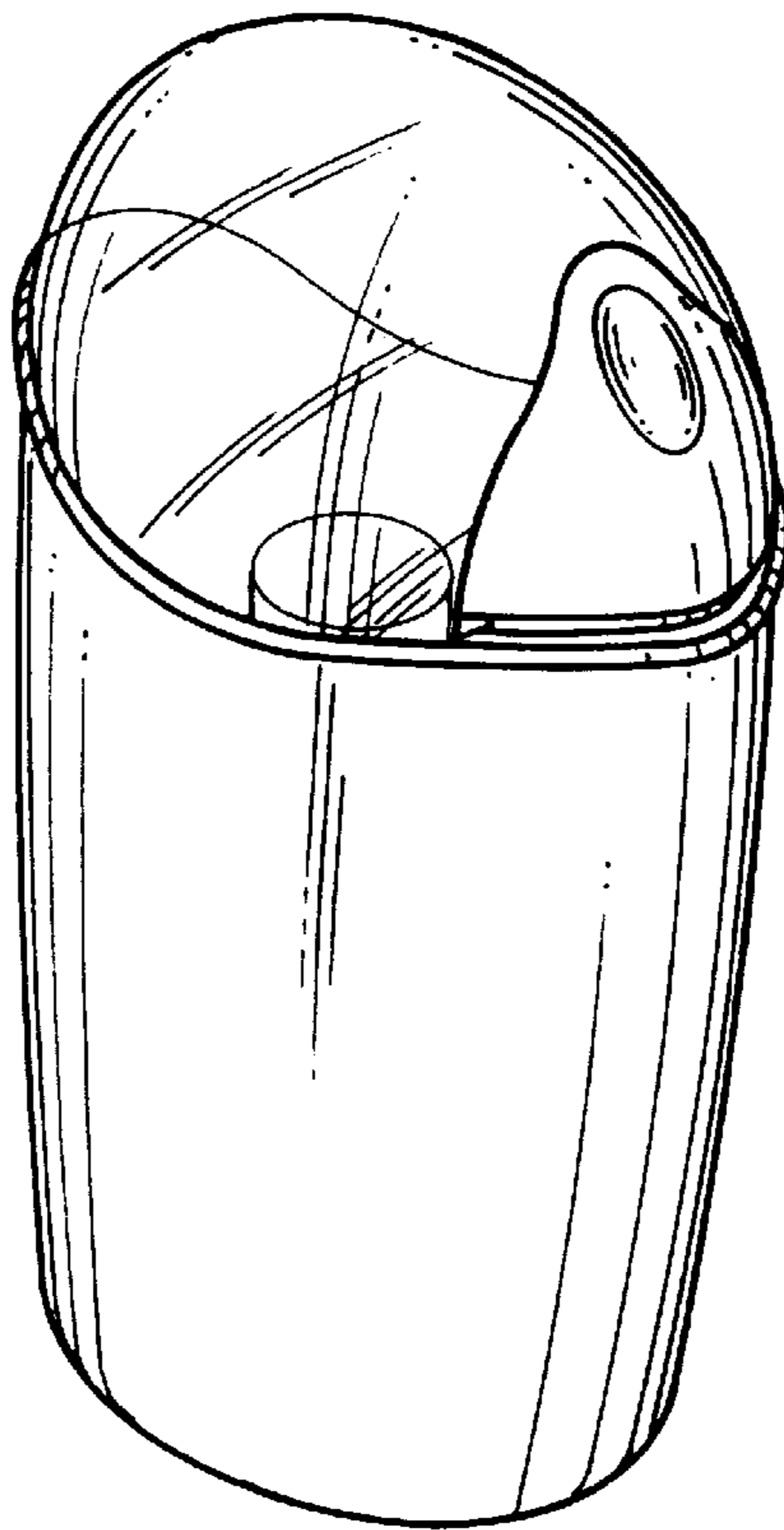


FIG. 7

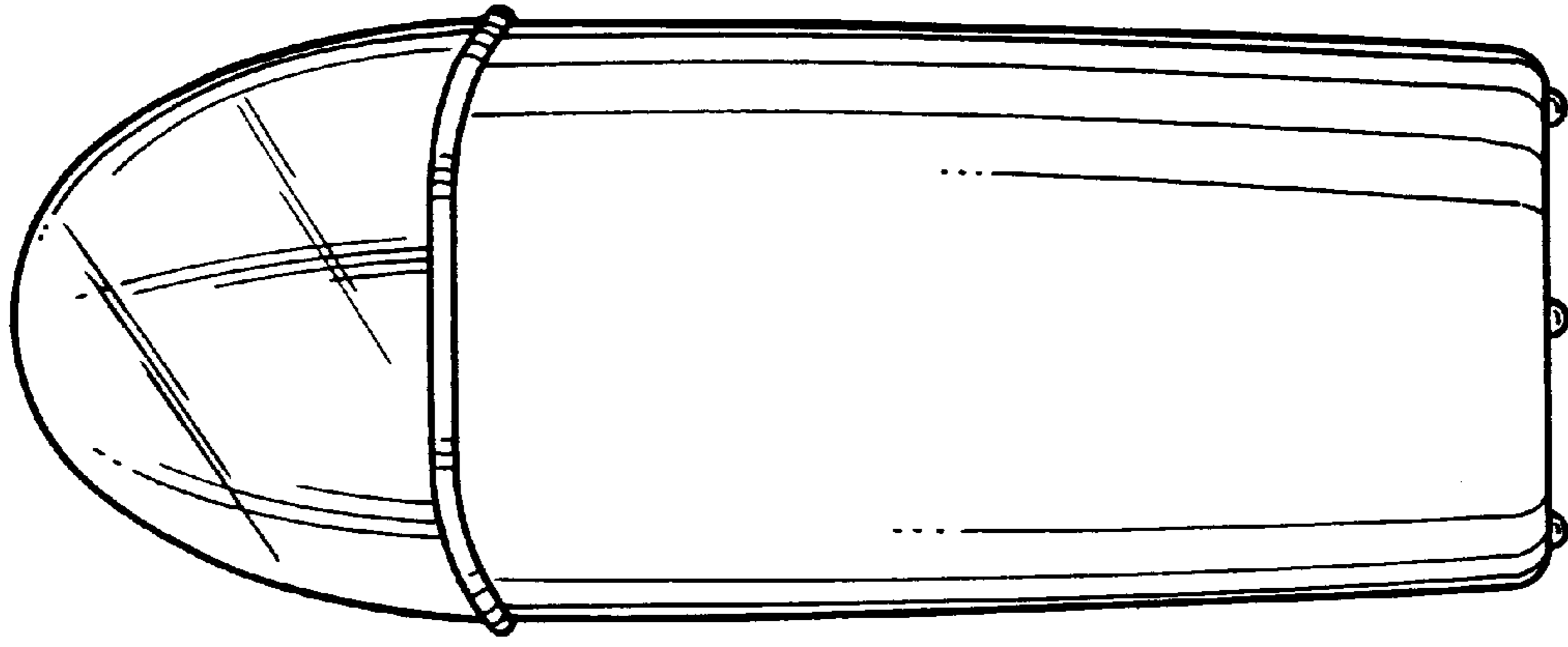


FIG. 6

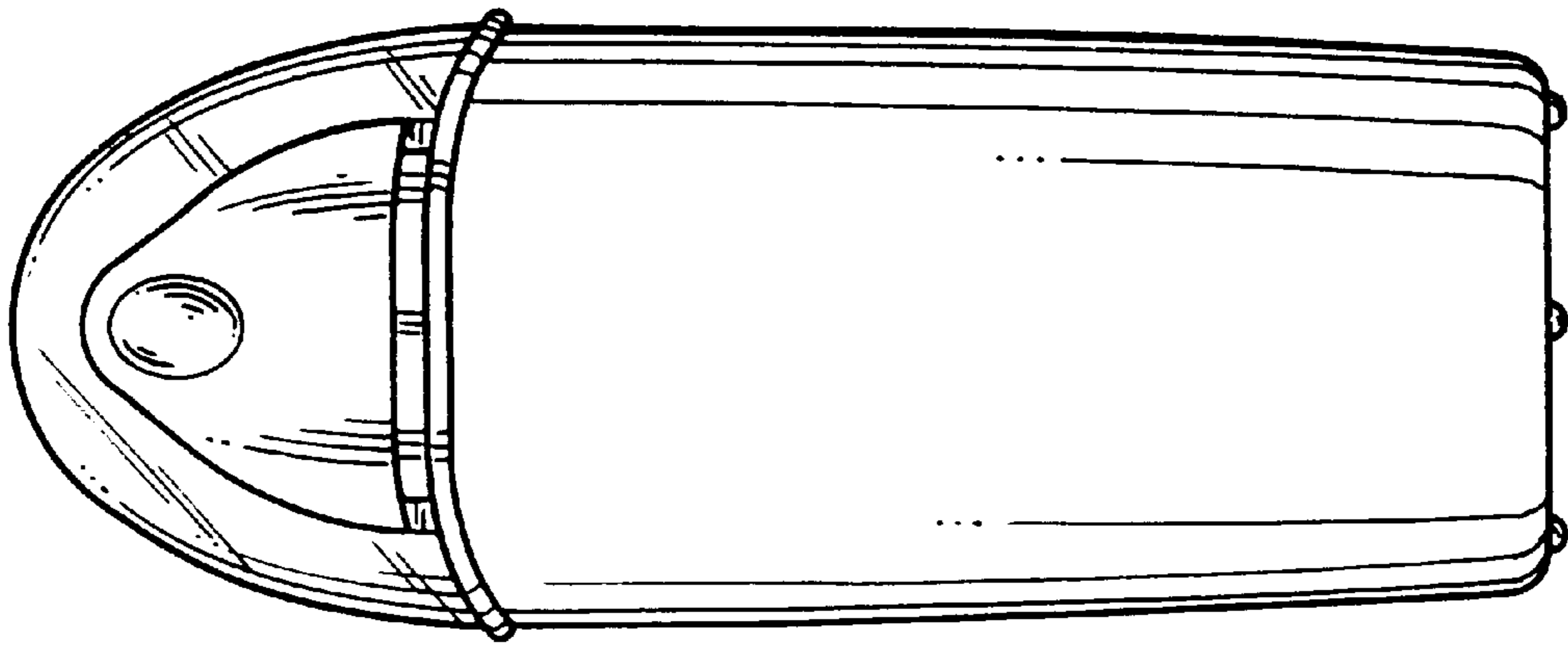


FIG. 5