



US00D410170S

# United States Patent [19] Sheu

[11] Patent Number: **Des. 410,170**

[45] Date of Patent: **\*\* May 25, 1999**

[54] **INFUSION MAKER**

[76] Inventor: **James Sheu**, P.O. Box 82-144, Taipei, Taiwan

[\*\*] Term: **14 Years**

[21] Appl. No.: **29/093,617**

[22] Filed: **Sep. 15, 1998**

[51] **LOC (6) Cl.** ..... **07-01**

[52] **U.S. Cl.** ..... **D7/319; D7/318; D7/317**

[58] **Field of Search** ..... D7/536, 302, 303, D7/312, 316, 317, 318, 319, 321, 322; 222/465.1, 190; 99/297

[56] **References Cited**

### U.S. PATENT DOCUMENTS

D. 181,143	10/1957	Gundelfinger	.....	D7/316
D. 192,038	1/1962	Carpenter	.....	D7/536
D. 287,213	12/1986	Fornara	.....	D7/317
D. 312,744	12/1990	Jorgensen	.....	D7/317
D. 323,598	2/1992	Sambinelli	.....	D7/317
D. 342,414	12/1993	Jorgensen	.....	D7/317
D. 343,760	2/1994	Lin	.....	D7/318

D. 372,627	8/1996	Ireland	.....	D7/319
D. 378,261	3/1997	Jorgensen	.....	D7/319
D. 384,540	10/1997	Joergensen	.....	D7/319
D. 386,040	11/1997	Joergensen	.....	D7/319
D. 388,274	12/1997	Wang	.....	D7/317
1,472,901	11/1923	Brenner et al.	.....	D7/319 X
4,365,544	12/1982	Howett	.....	99/297

*Primary Examiner*—M. N. Pandozzi  
*Attorney, Agent, or Firm*—A & J

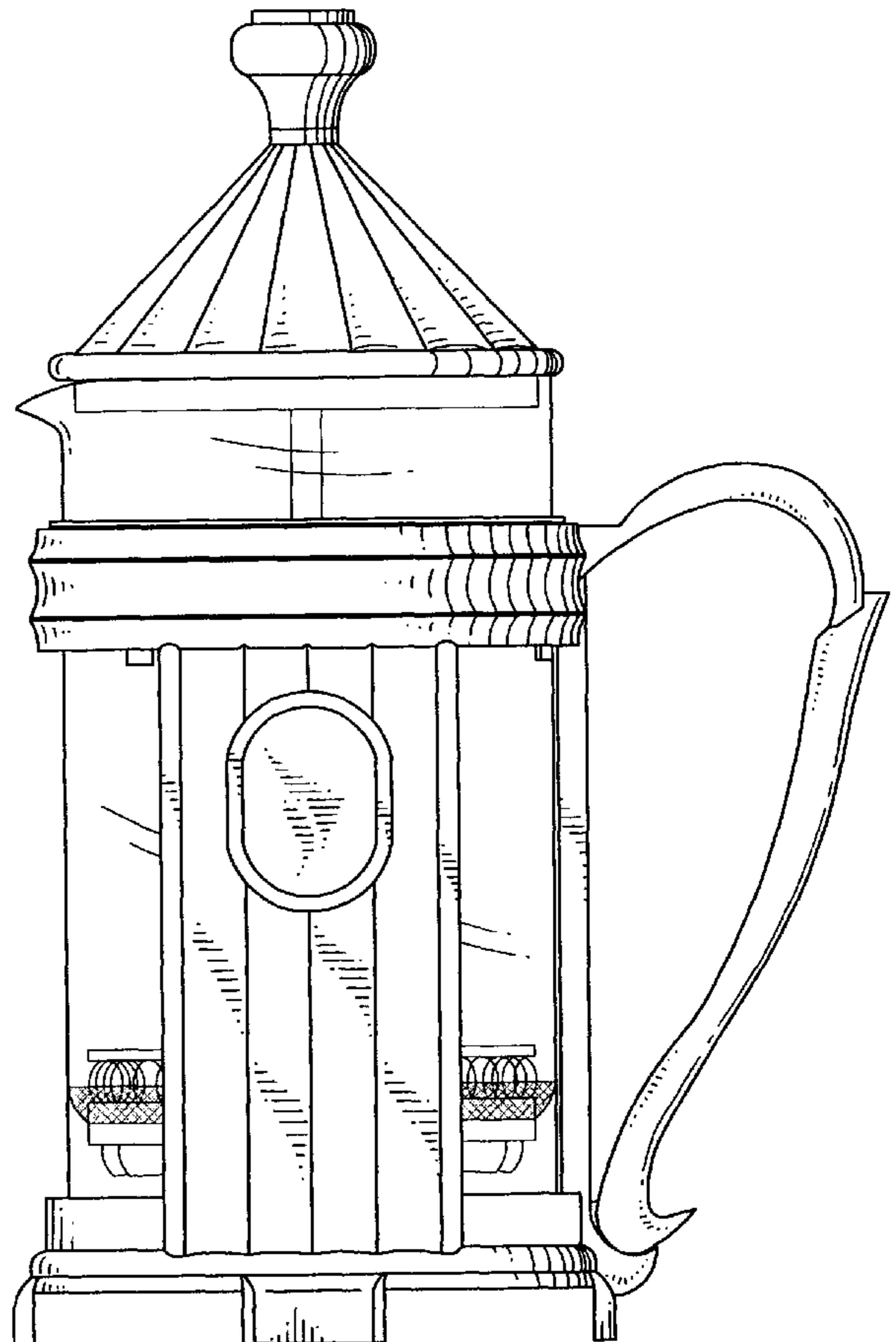
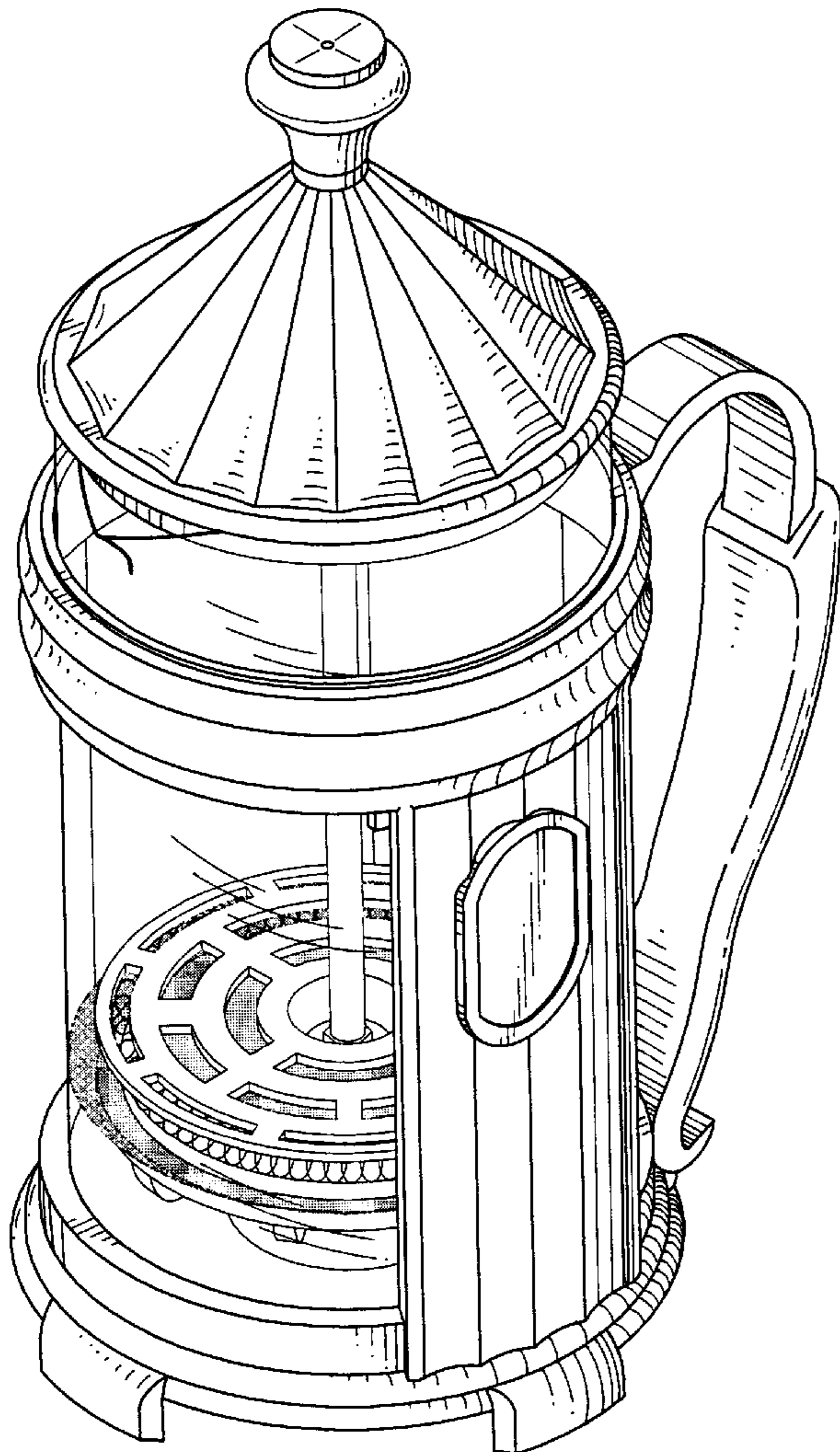
[57] **CLAIM**

The ornamental design for an infusion maker, as shown and described.

### DESCRIPTION

FIG. 1 is a perspective view of an infusion maker showing my new design;  
FIG. 2 is a right side elevational view thereof;  
FIG. 3 is a left side elevational view thereof;  
FIG. 4 is a rear view thereof;  
FIG. 5 is a front view thereof;  
FIG. 6 is a top plan view thereof; and,  
FIG. 7 is a bottom plan view thereof.

**1 Claim, 4 Drawing Sheets**



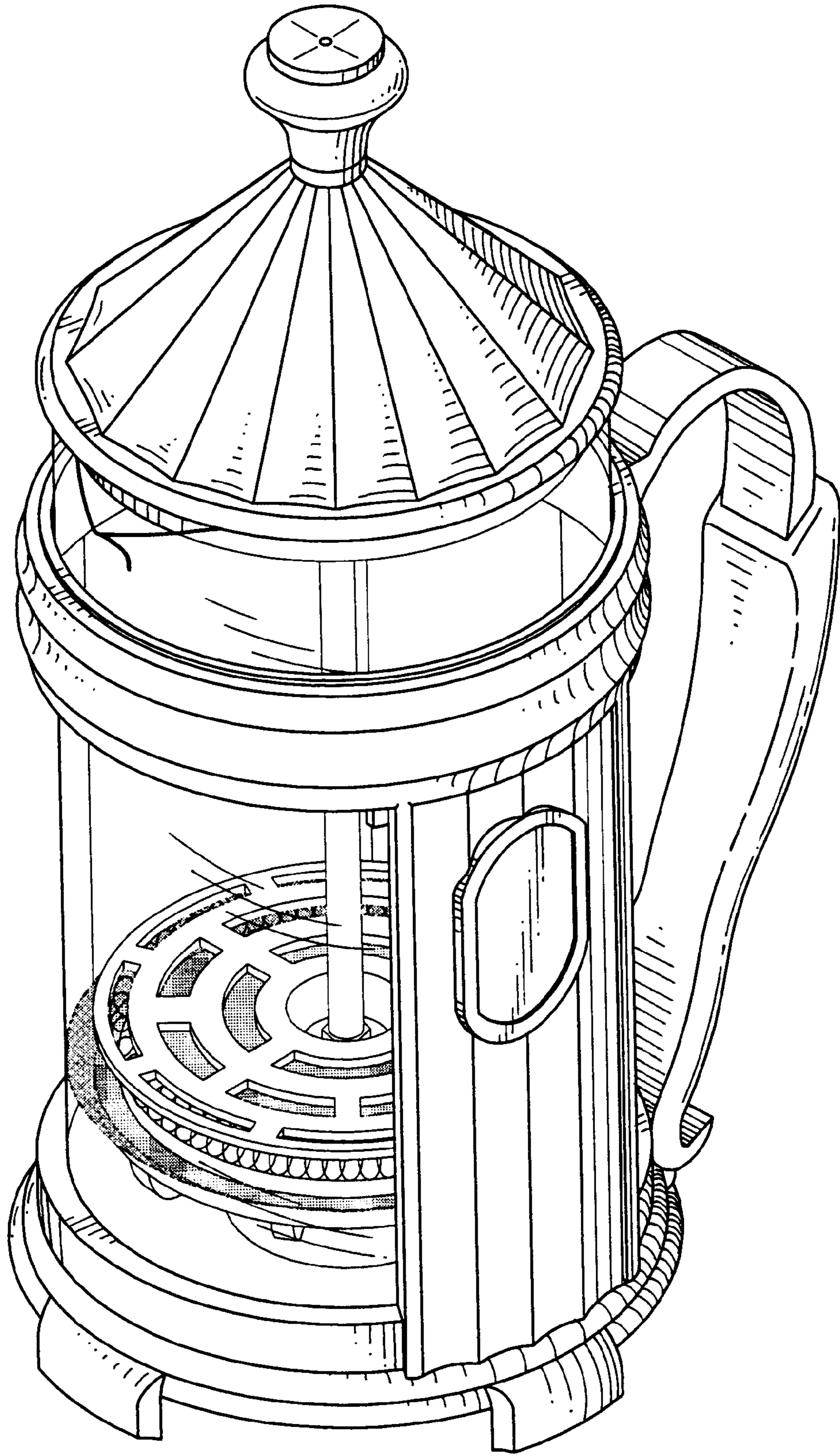


FIG. 1

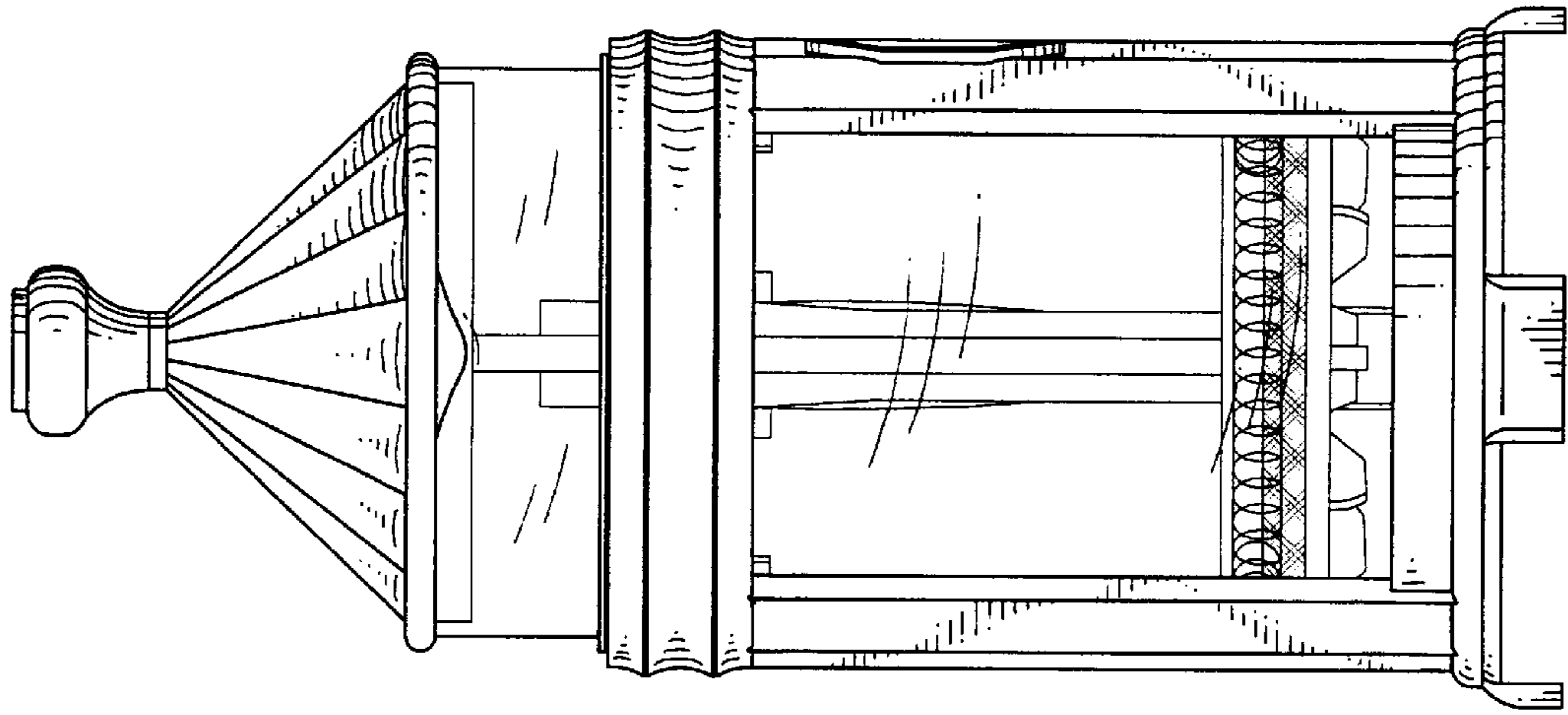


FIG.3

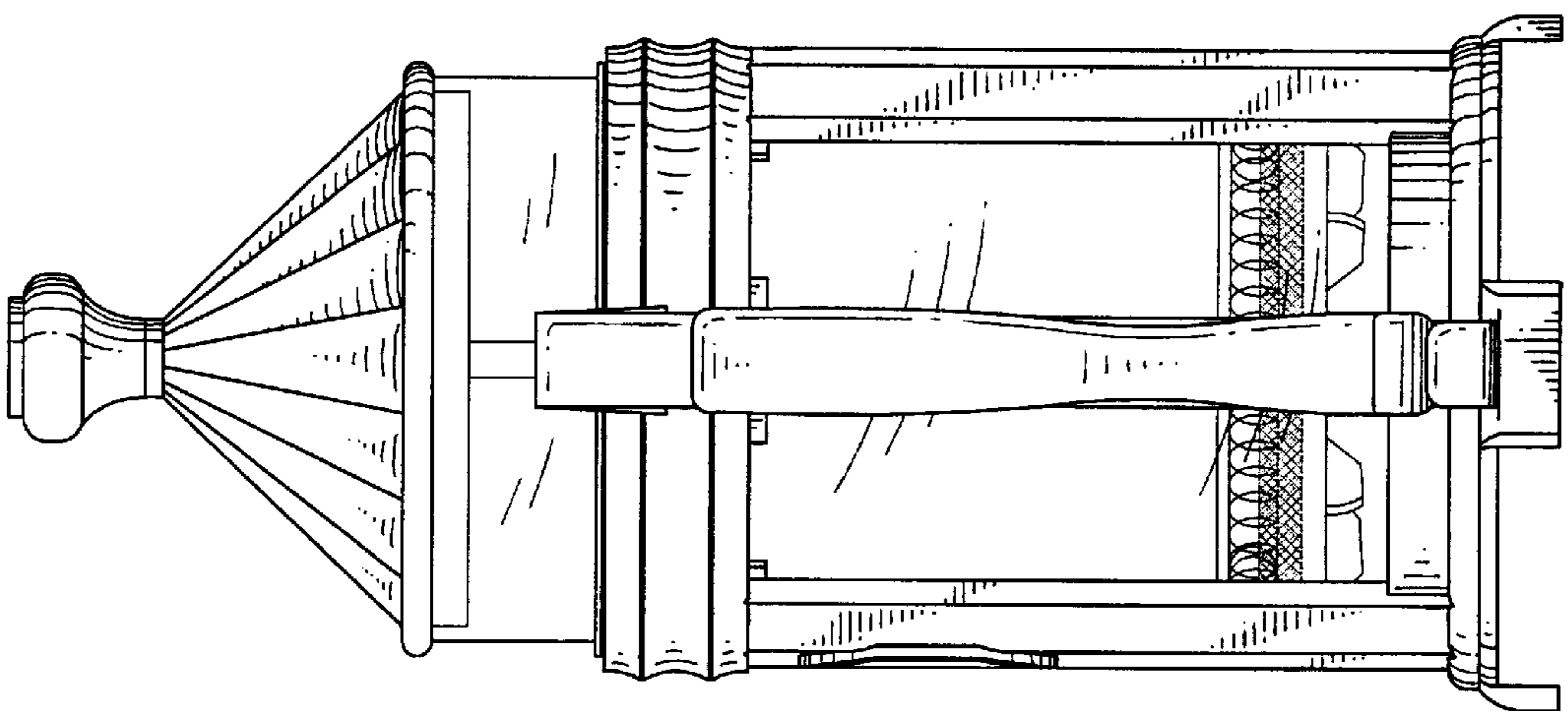


FIG.2

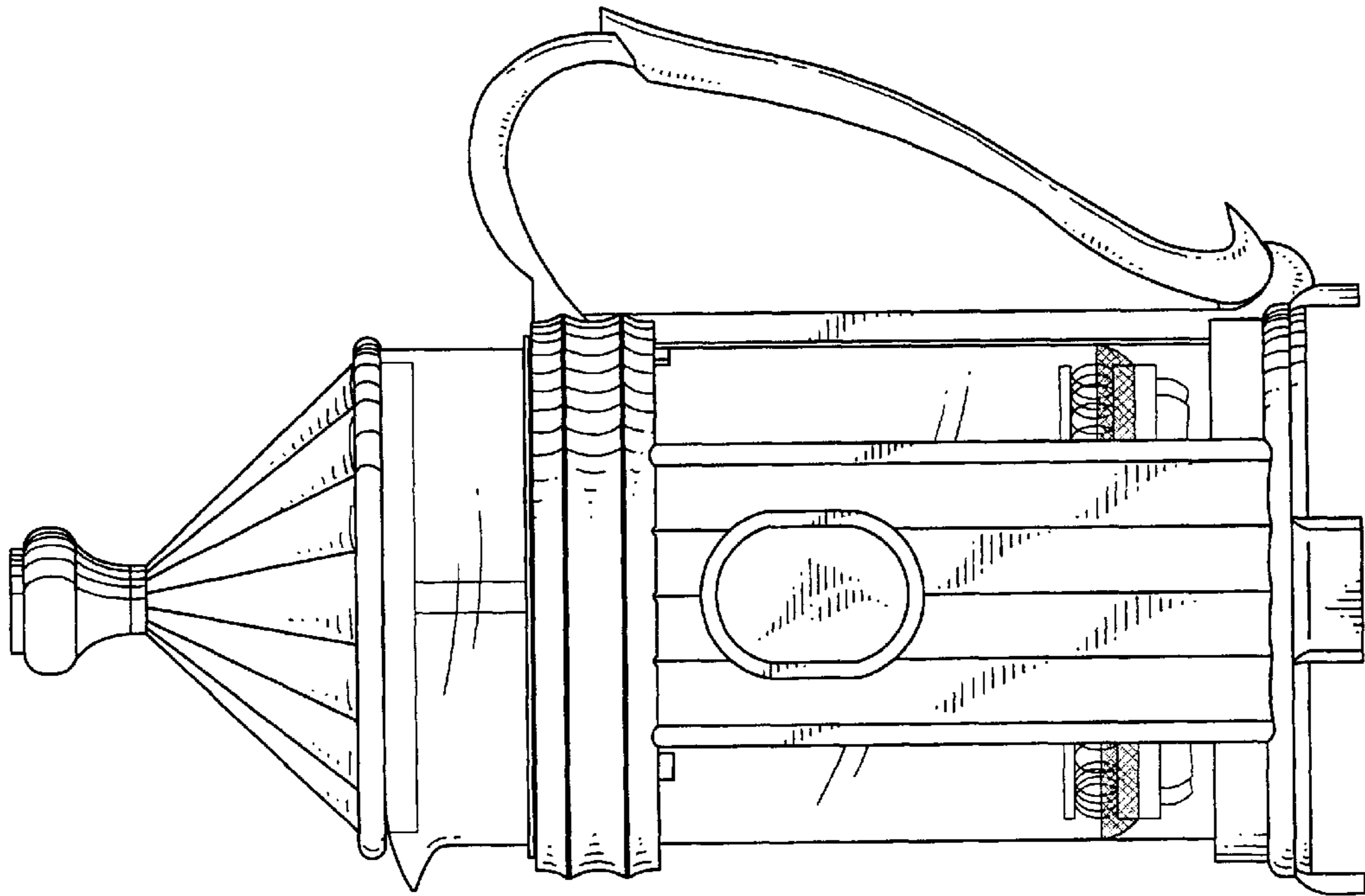


FIG.5

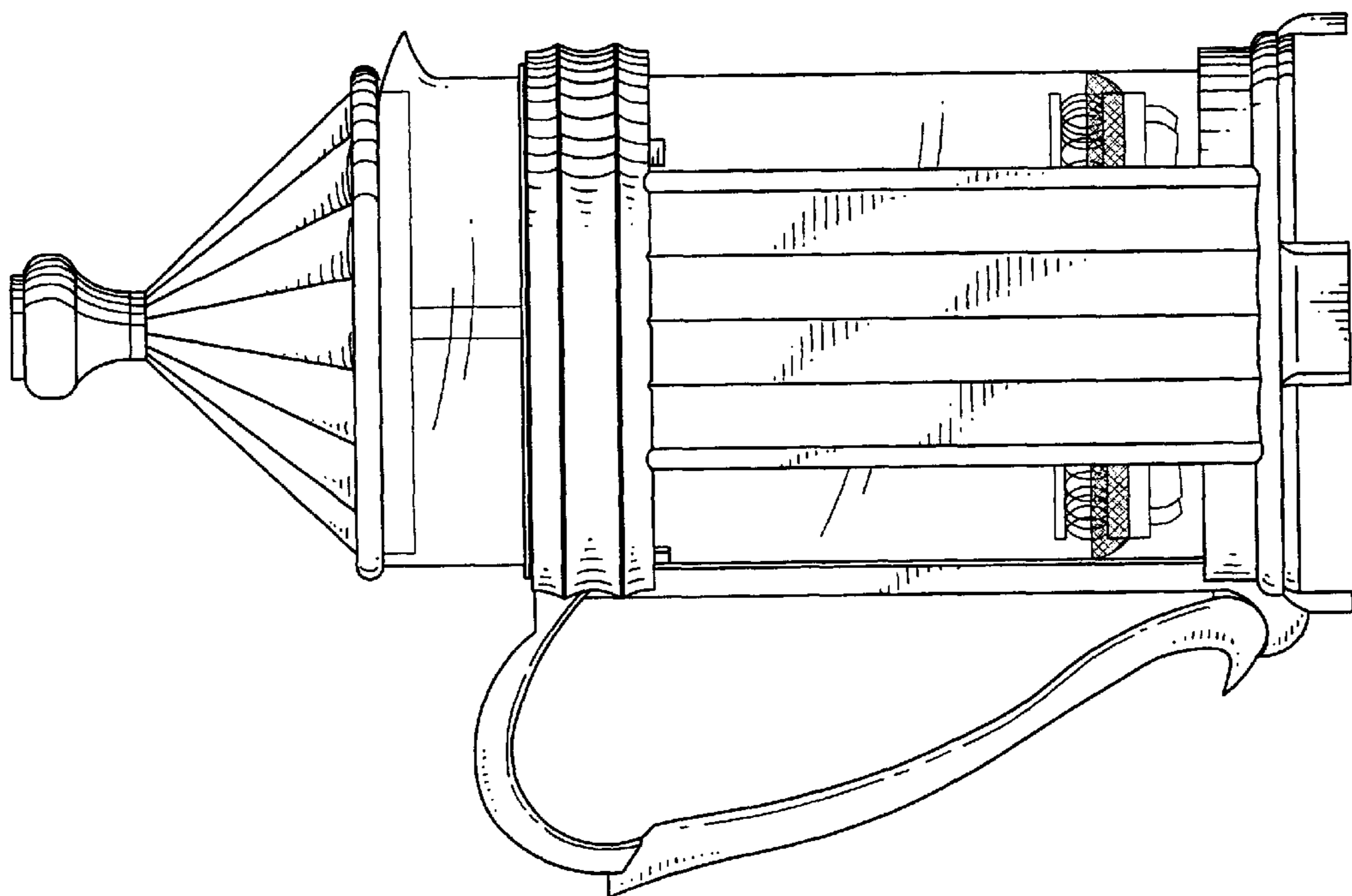


FIG.4

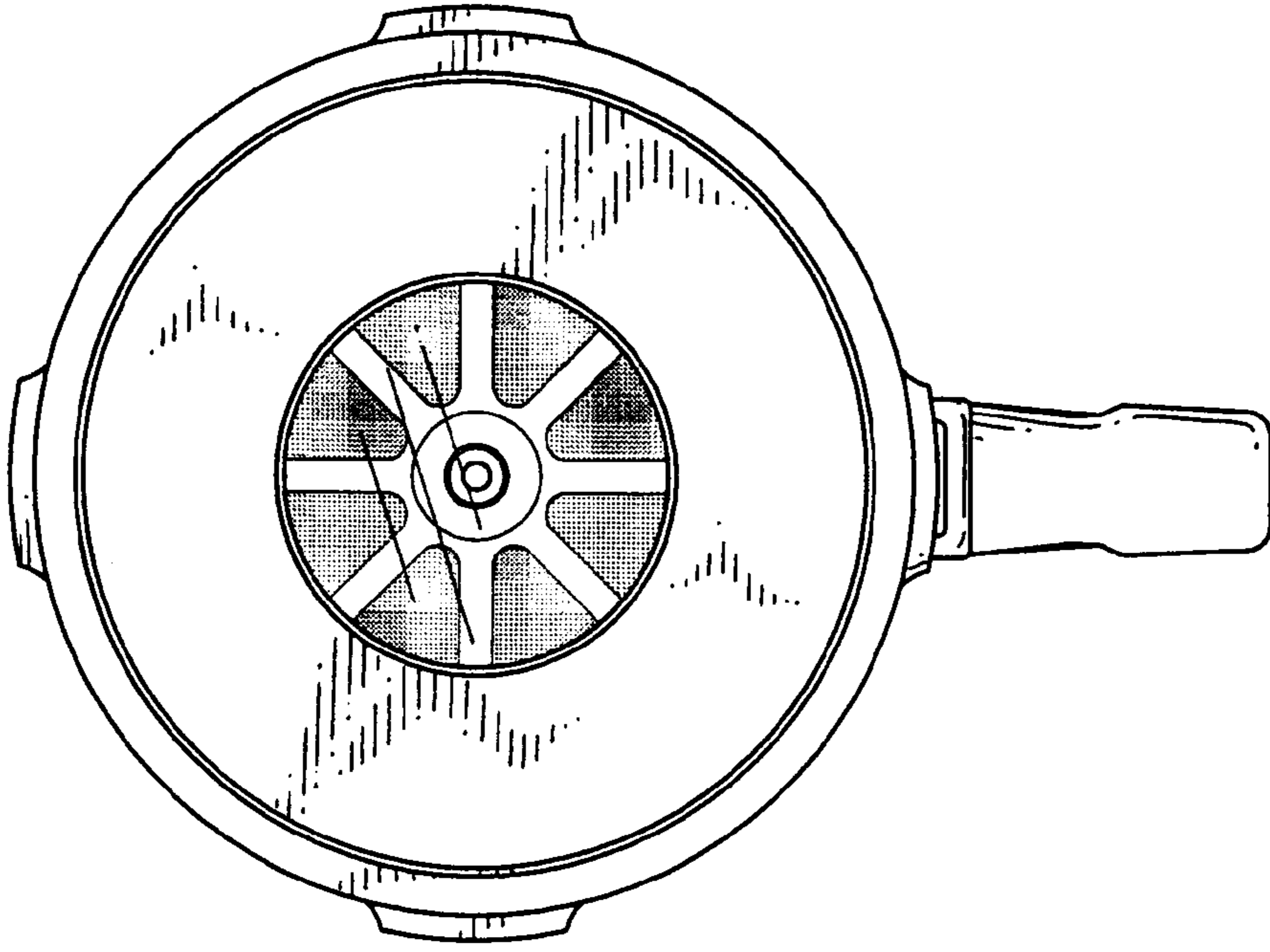


FIG. 7

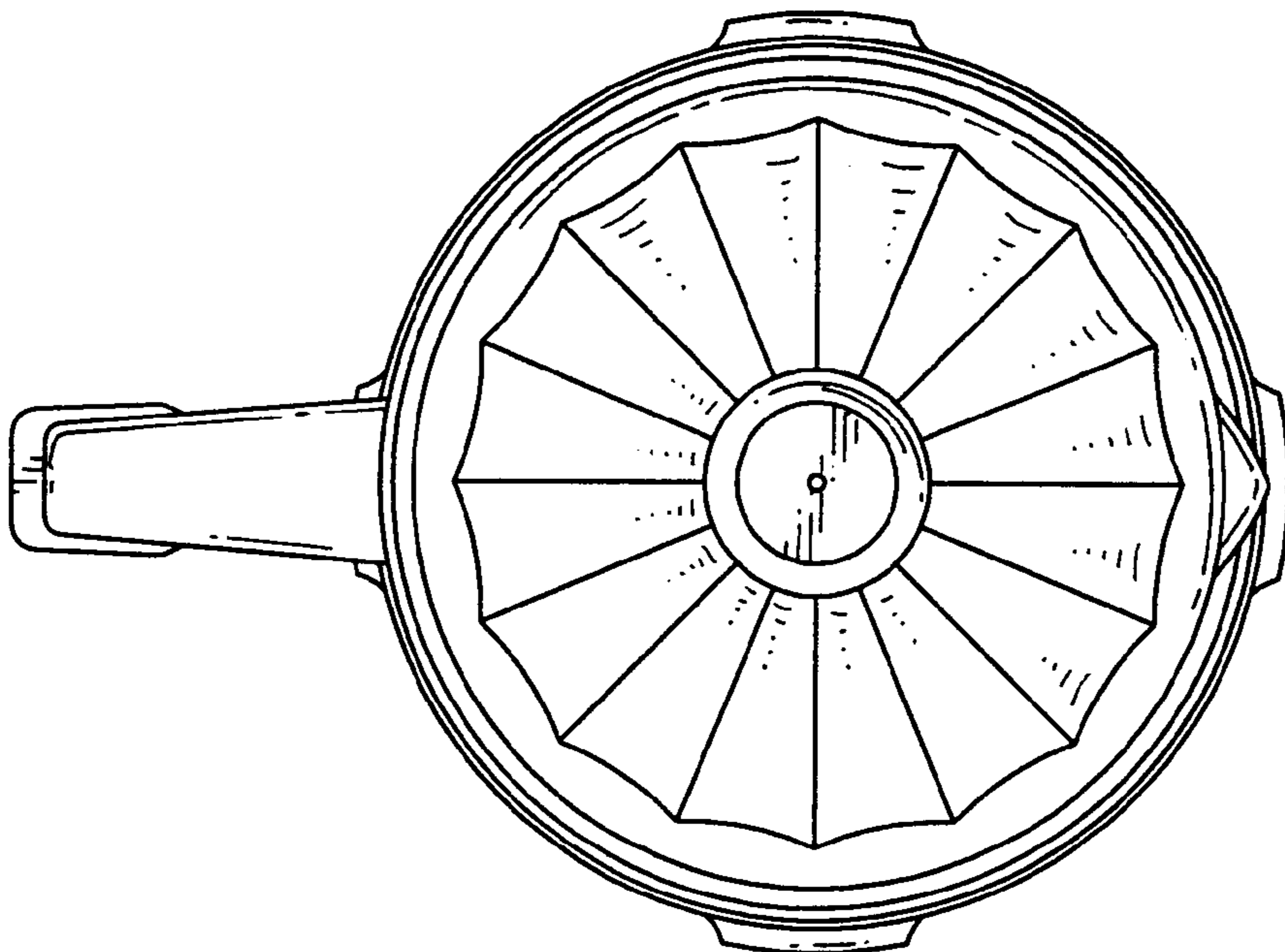


FIG. 6