



US00D410163S

United States Patent [19] McNeil

[11] Patent Number: **Des. 410,163**

[45] Date of Patent: **** May 25, 1999**

[54] STORAGE BOX

[76] Inventor: **Brett C. McNeil**, 1060 Sioux, Los Alamos, N.M. 87544

[**] Term: **14 Years**

[21] Appl. No.: **29/078,122**

[22] Filed: **Oct. 20, 1997**

[51] LOC (6) Cl. **08-08**

[52] U.S. Cl. **D6/567**

[58] Field of Search D6/553, 567-574;
211/13.1, 70.6, 70.7, 74, 75, 86-88; 248/202.1;
312/242

5,368,378 11/1994 Curtis .
5,570,938 11/1996 Butler .
5,649,751 7/1997 Longhurst .

FOREIGN PATENT DOCUMENTS

2275180 8/1994 United Kingdom .

Primary Examiner—Brian N. Vinson
Attorney, Agent, or Firm—Richard C. Littman

[57] CLAIM

The ornamental design for a storage box, as shown and described.

DESCRIPTION

FIG. 1 is a perspective view of a storage box showing my new design;
FIG. 2 is a front elevational view thereof;
FIG. 3 is a rear elevational view thereof; and,
FIG. 4 is a top plan view thereof.

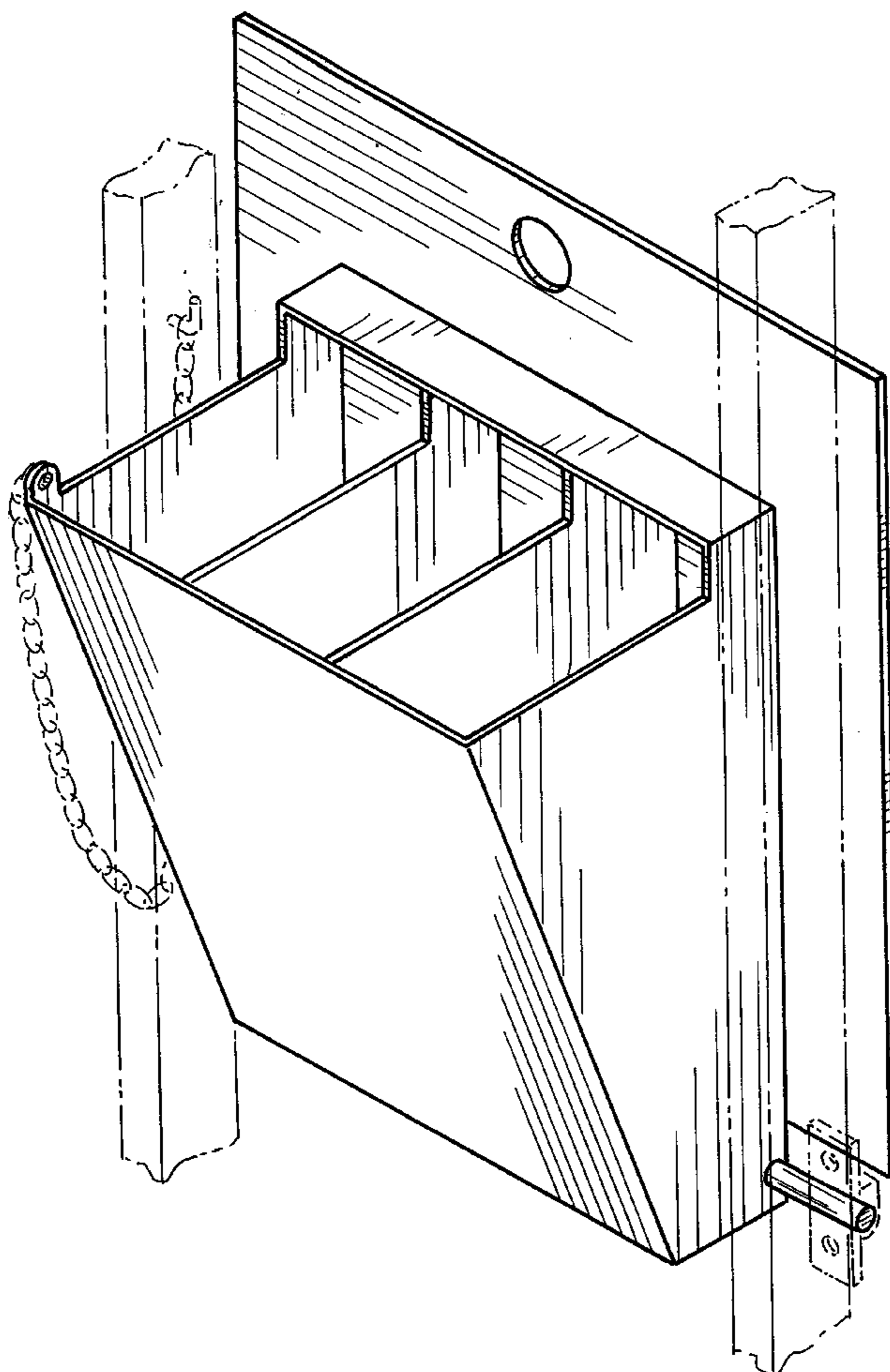
The broken line showing of the wall studs in FIGS. 1-4 is for illustrative purposes only and forms no part of the claimed design. The broken line showing of the chain and hangers in FIGS. 1-4 is for illustrative purposes only, merely showing the type of hardware which can be used, and forms no part of the claimed design.

1 Claim, 3 Drawing Sheets

[56] References Cited

U.S. PATENT DOCUMENTS

D. 077,776	2/1929	Johnson	D6/567
D. 247,111	1/1978	Olivan	D6/567
D. 355,555	2/1995	Ryan	D6/569
D. 356,461	3/1995	May et al.	D6/567
3,271,090	9/1966	Smithers	.	
3,722,972	3/1973	Deeds et al.	.	
4,733,925	3/1988	Duran et al.	.	
4,874,211	10/1989	Nichols	.	
5,238,301	8/1993	Brady	.	



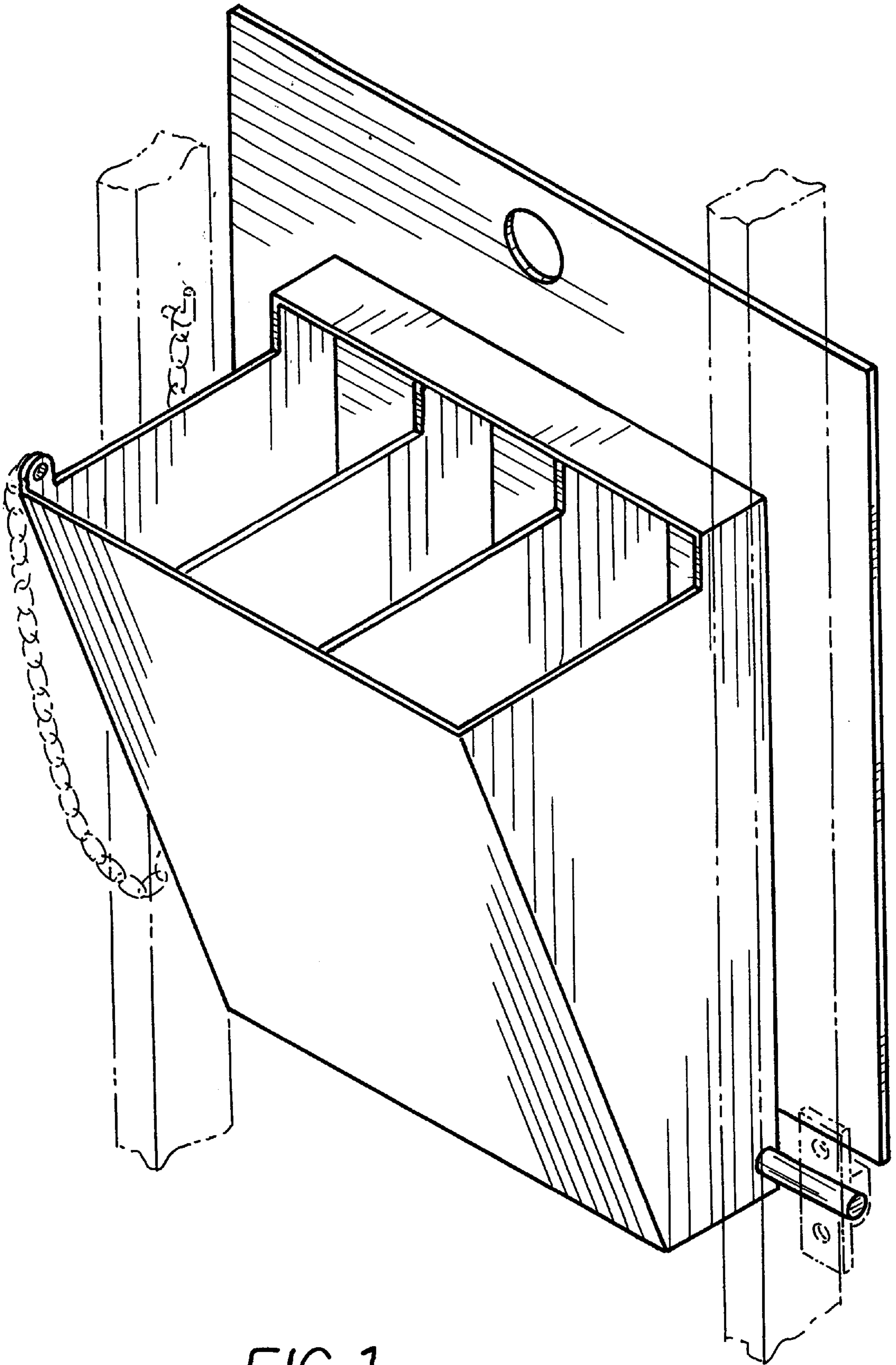


FIG. 1

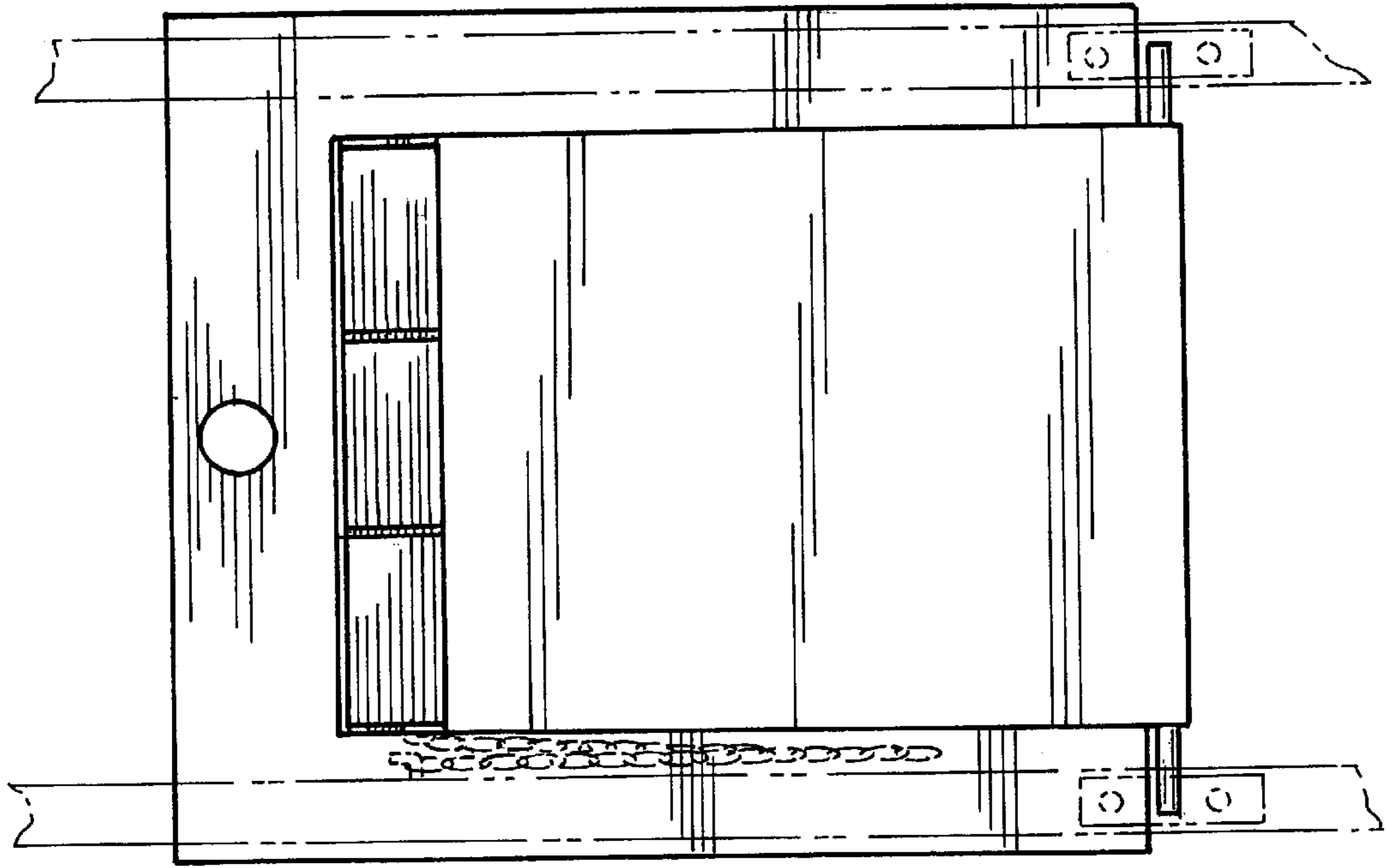


FIG. 3

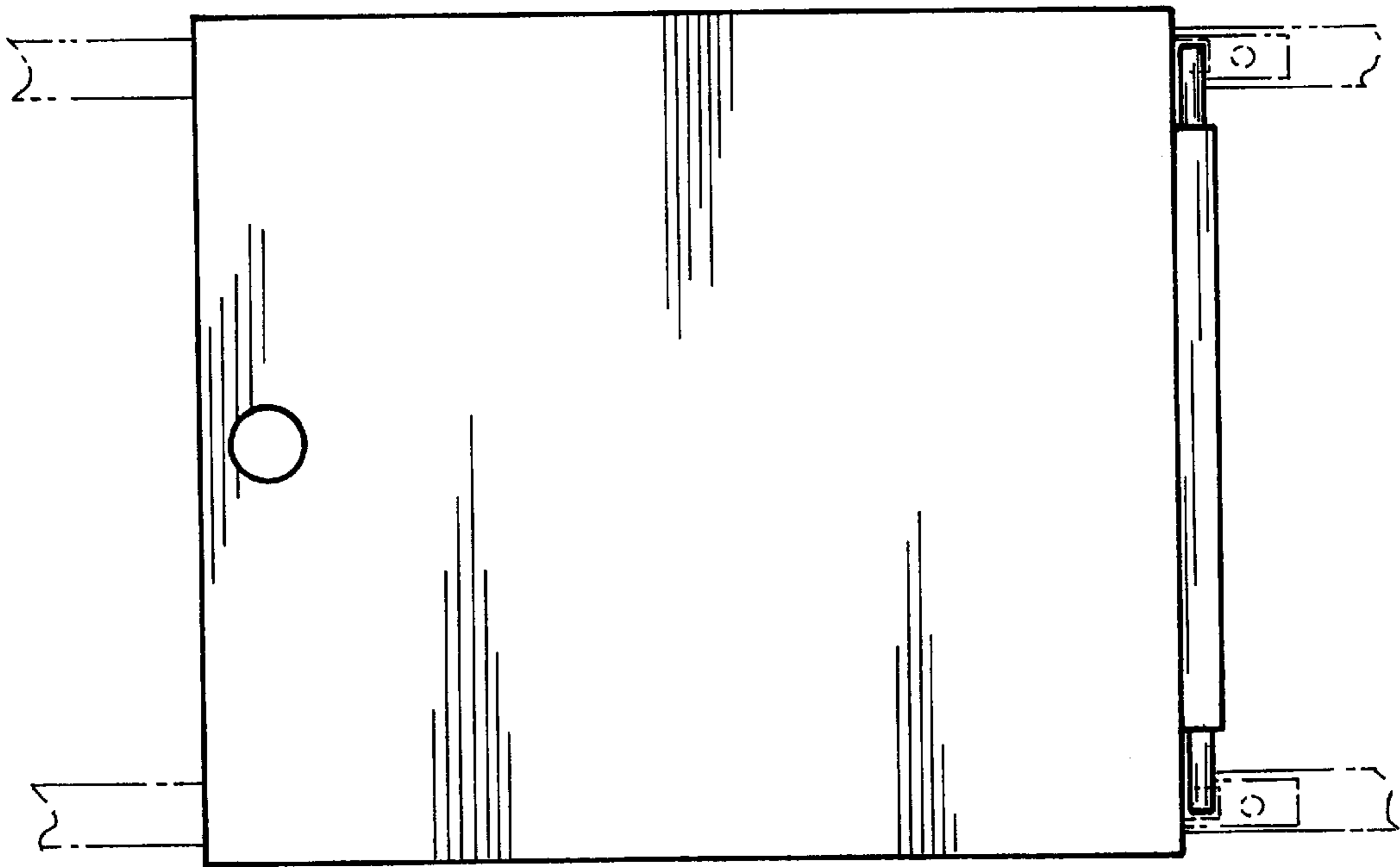


FIG. 2

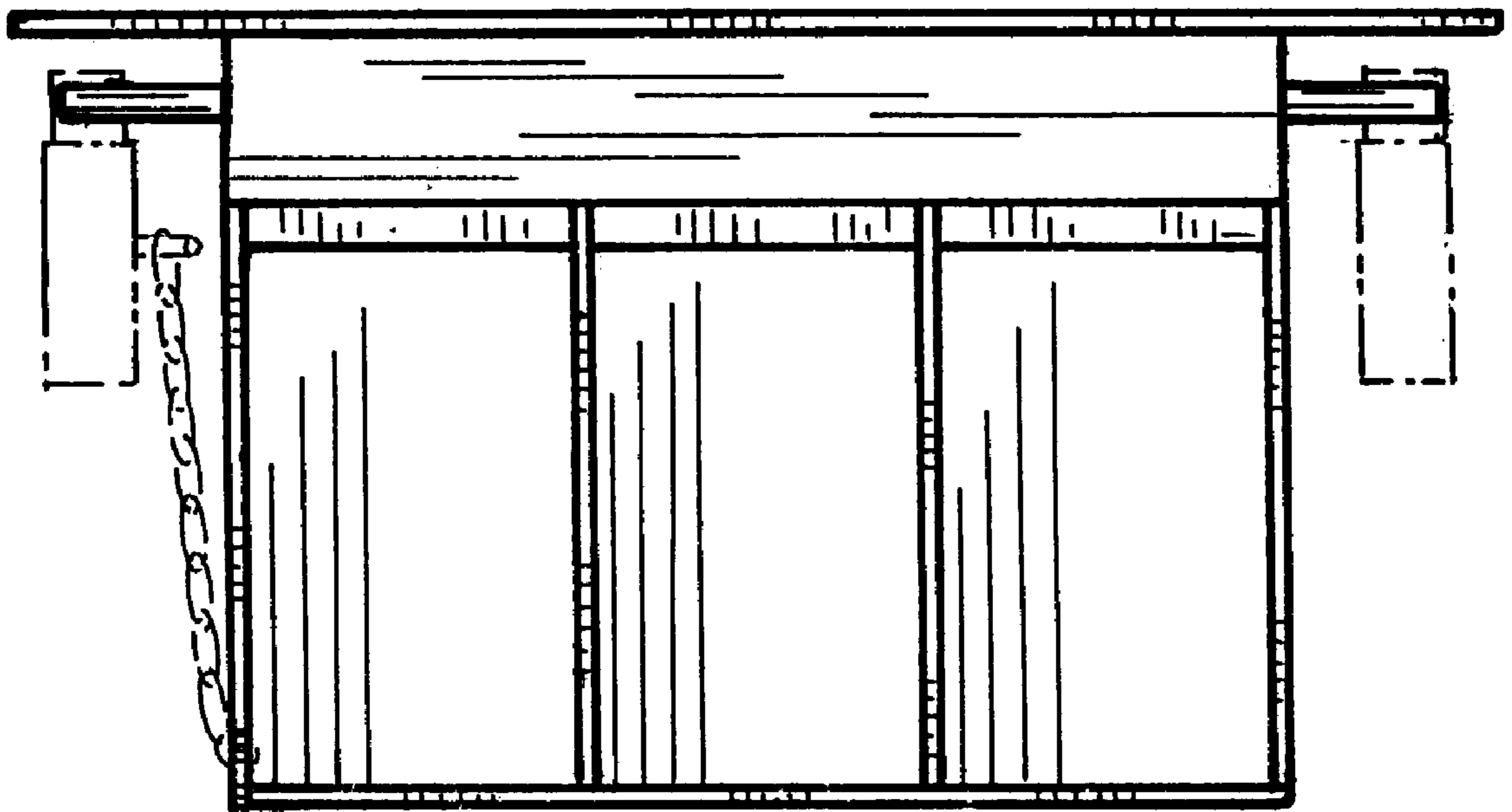


FIG. 4