



US00D410154S

United States Patent [19]
Huang et al.

[11] **Patent Number: Des. 410,154**

[45] **Date of Patent: ** May 25, 1999**

[54] **BABY CRIB**

D. 440,478 11/1998 Song D12/129
3,139,630 7/1964 Hunt D6/385

[75] Inventors: **Ying-Yuan Huang**, Chiayi; **Er-Jui Chen**, Kaohsiung; **Shui-Lin Shen**, Putzu, all of Taiwan

OTHER PUBLICATIONS

Best Catalog, 1984-85, p. 390, crib at top left corner.

[73] Assignee: **Link Treasure Limited**, Virgin Islands (Br.)

Primary Examiner—Janice E. Seeger
Attorney, Agent, or Firm—Trask, Britt & Rossa

[**] Term: **14 Years**

[57] **CLAIM**

[21] Appl. No.: **29/088,941**

The ornamental design for a baby crib, as shown and described.

[22] Filed: **Jun. 4, 1998**

DESCRIPTION

[51] **LOC (6) Cl.** **06-01**

[52] **U.S. Cl.** **D6/390**

[58] **Field of Search** D6/382, 385, 390-395,
D6/331, 333; D12/129; 5/93.1, 98.1, 99.1,
101, 655, 907

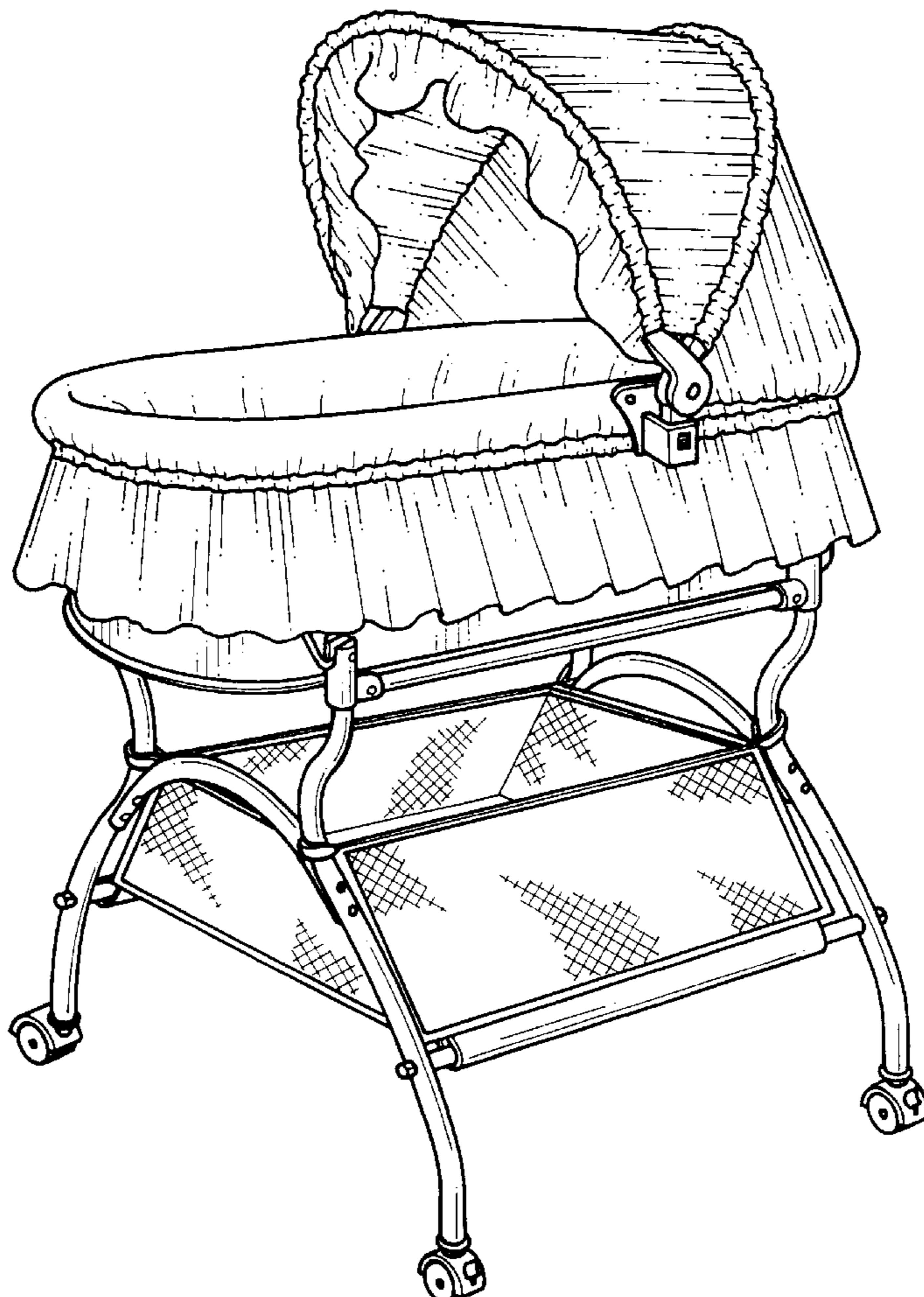
FIG. 1 is a front-right-top perspective view of a baby crib, showing my new design;
FIG. 2 is a front plan view thereof;
FIG. 3 is a rear plan thereof;
FIG. 4 is a left side plan view thereof;
FIG. 5 is a right side plan view thereof;
FIG. 6 is a top plan view thereof; and,
FIG. 7 is a bottom plan view thereof.

[56] **References Cited**

U.S. PATENT DOCUMENTS

D. 333,389 2/1993 Saito et al. D6/356
D. 388,640 1/1998 Burgin D6/503

1 Claim, 4 Drawing Sheets



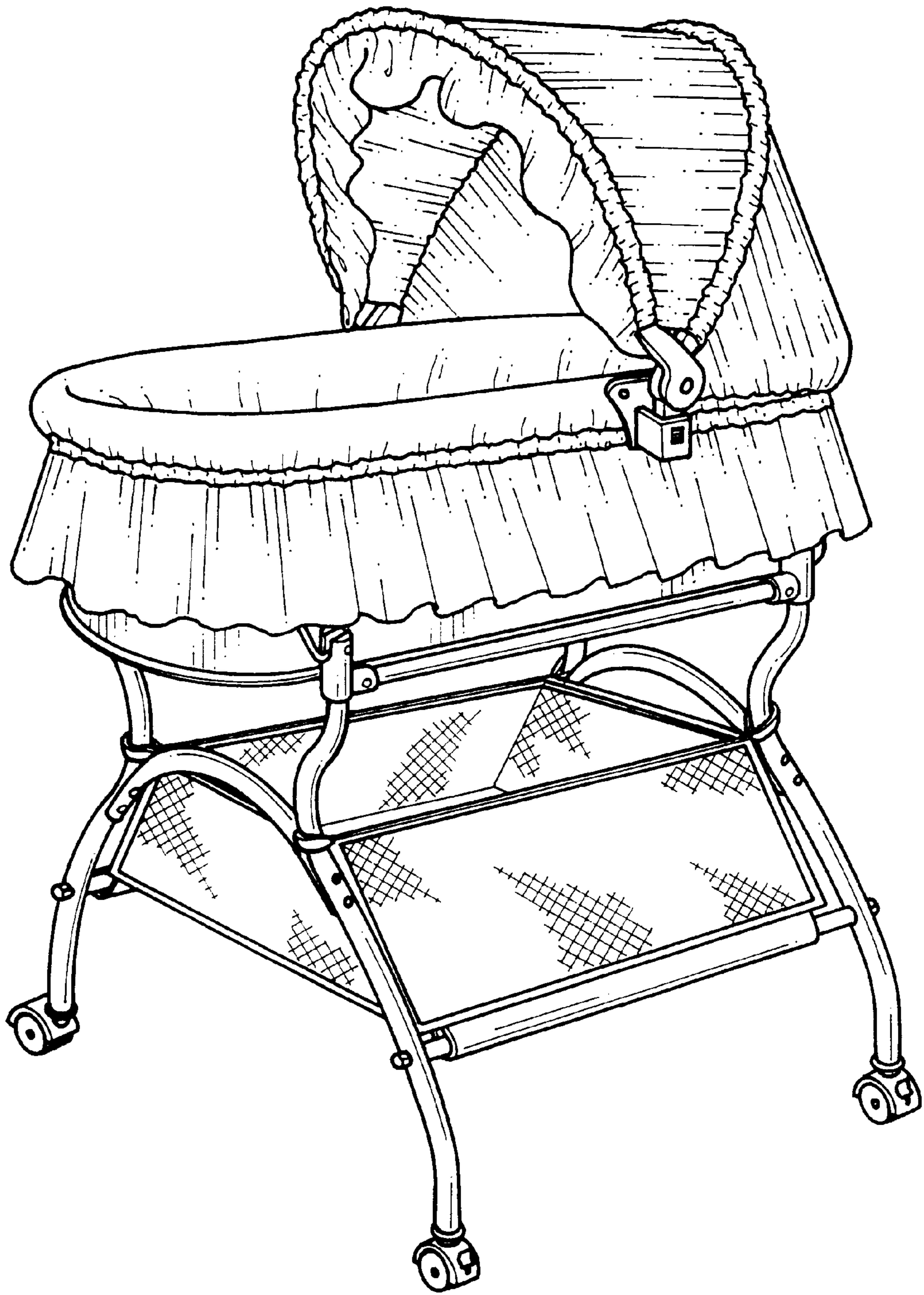


FIG. 1

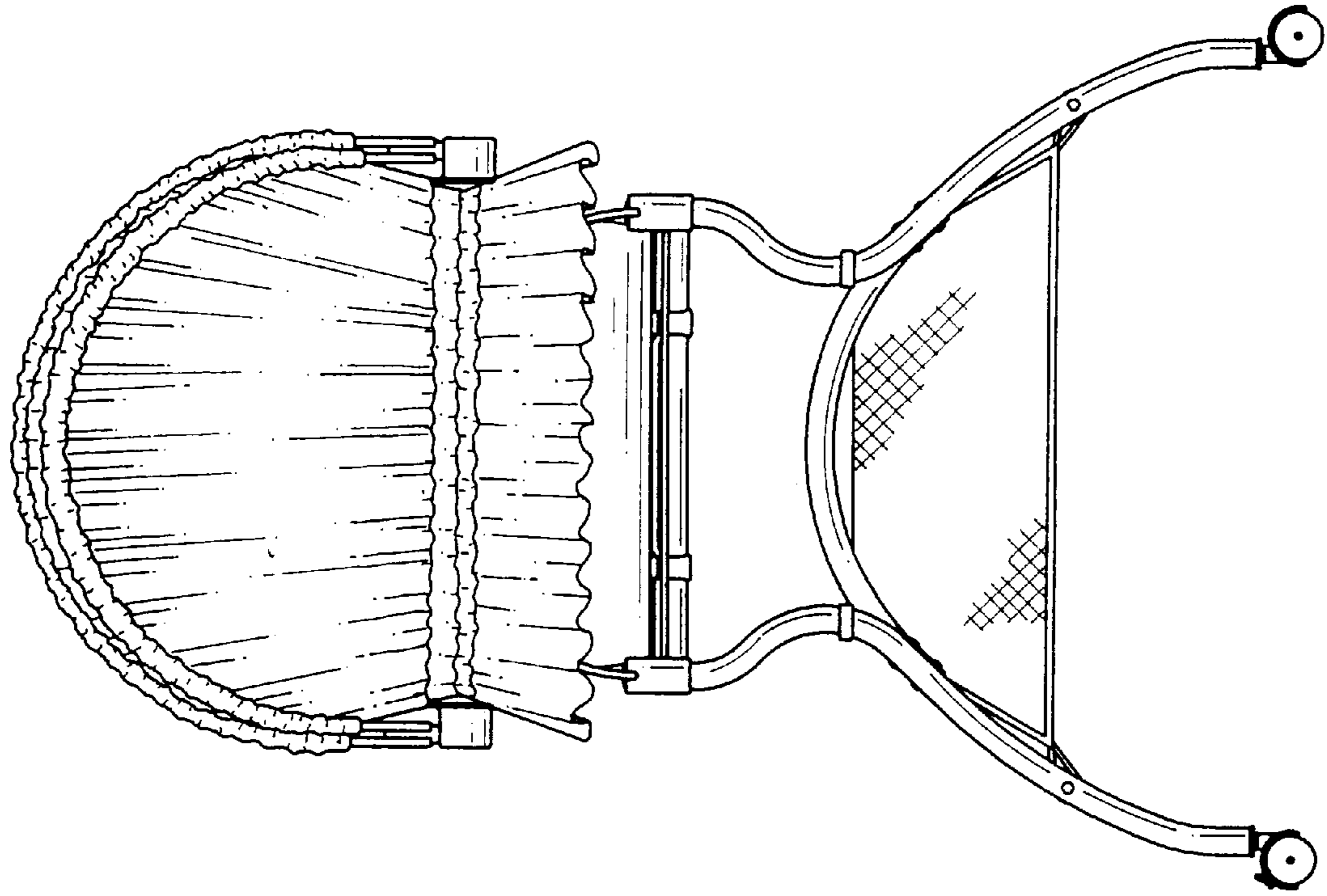


FIG. 3

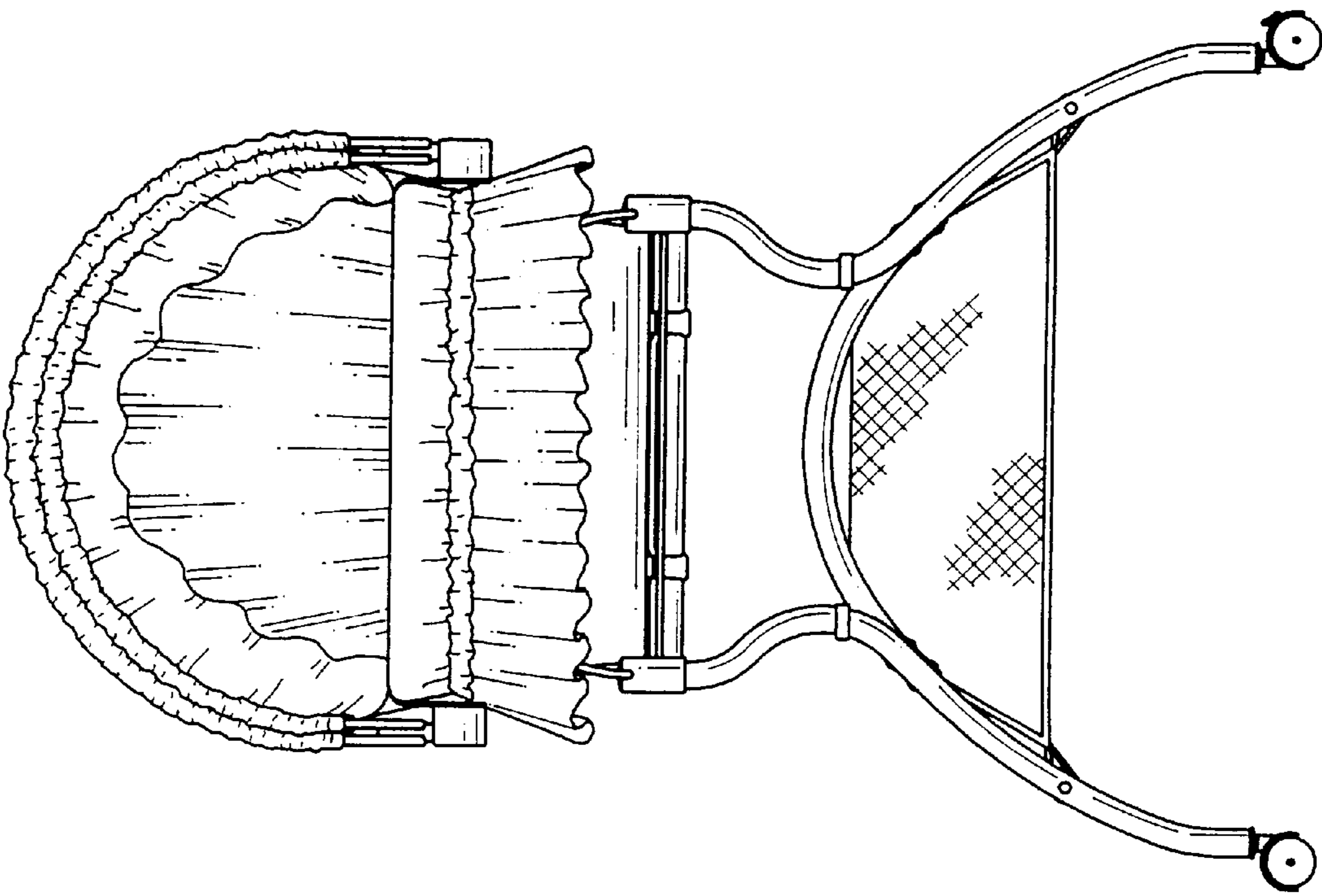


FIG. 2

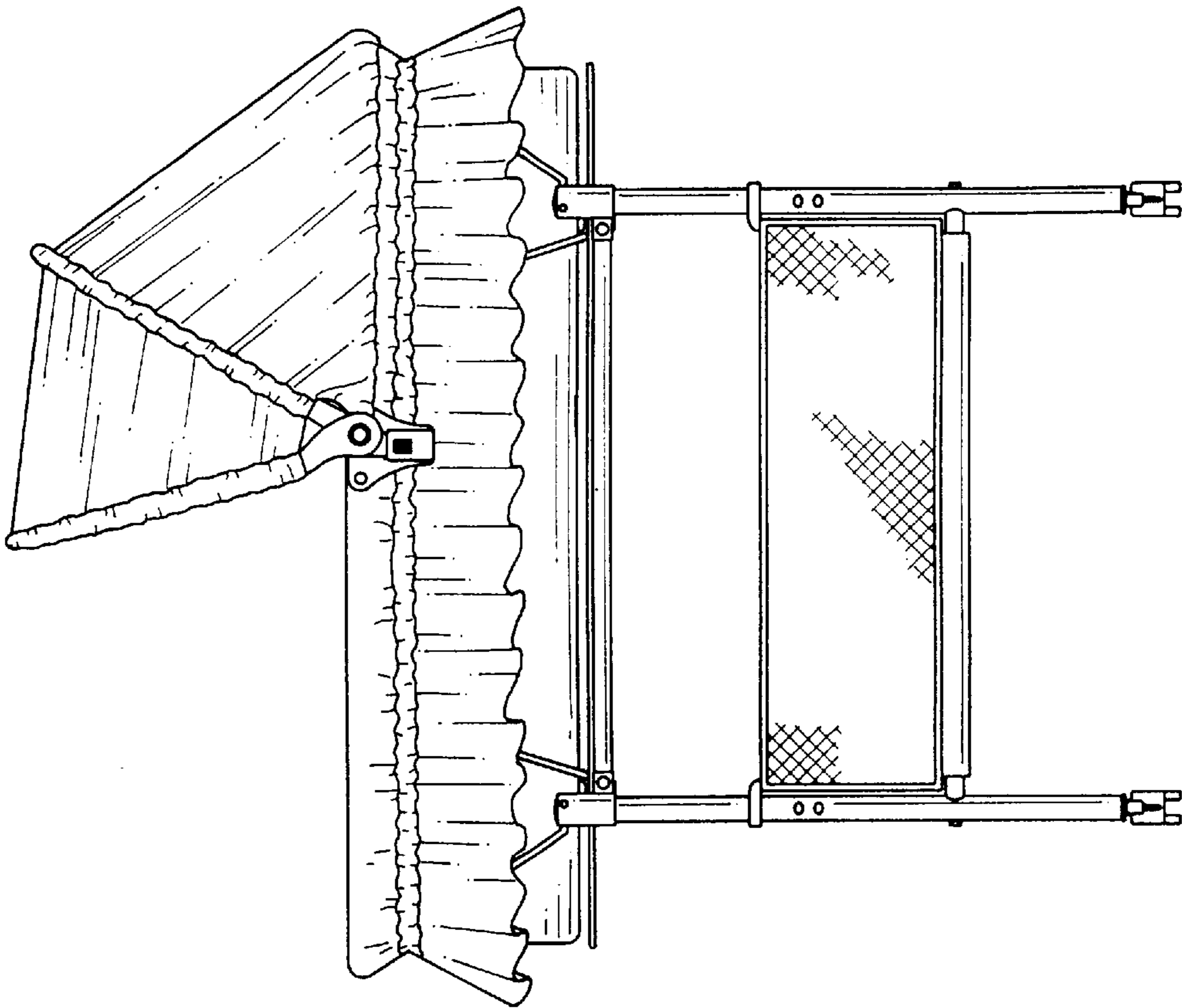


FIG. 5

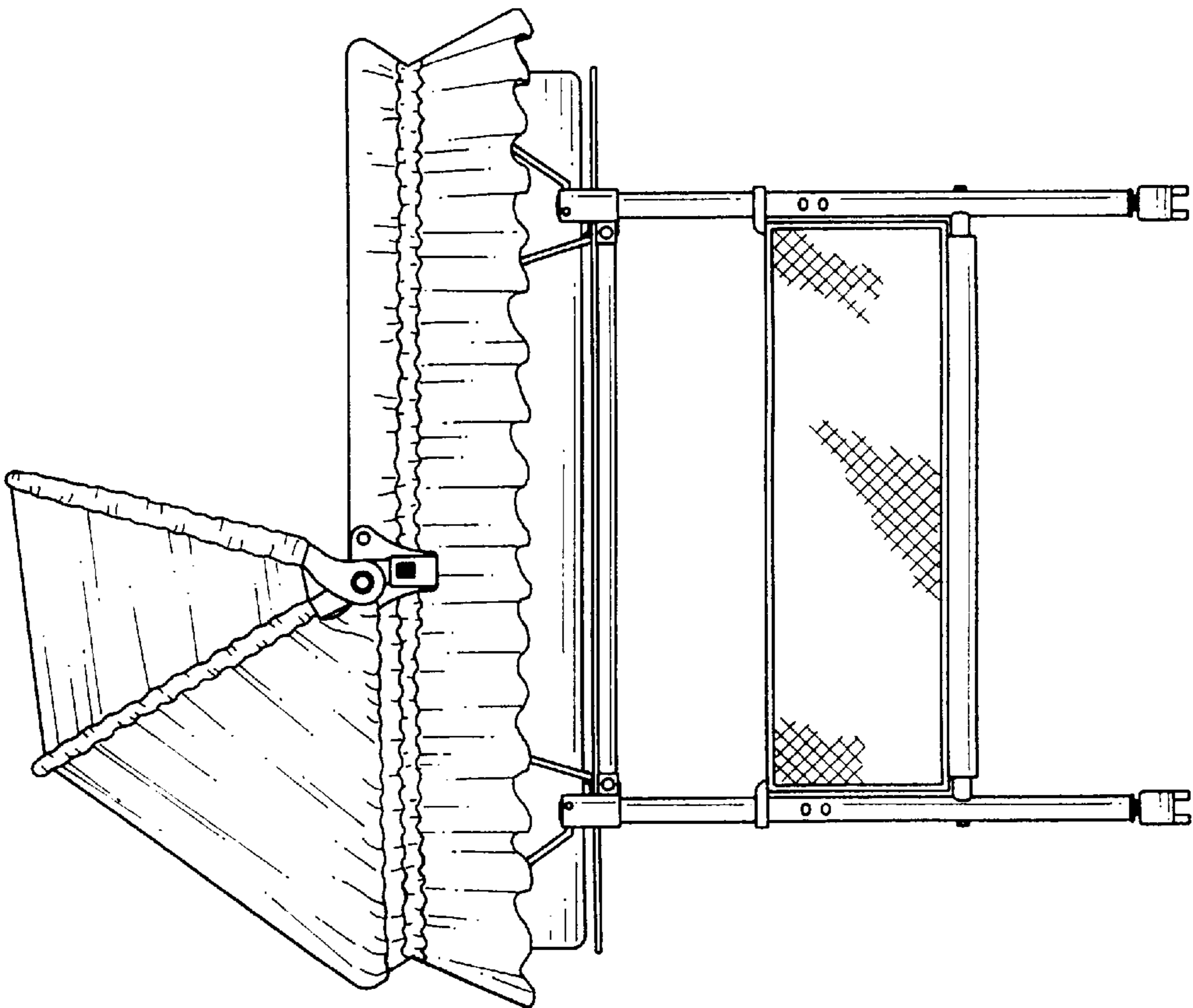


FIG. 4

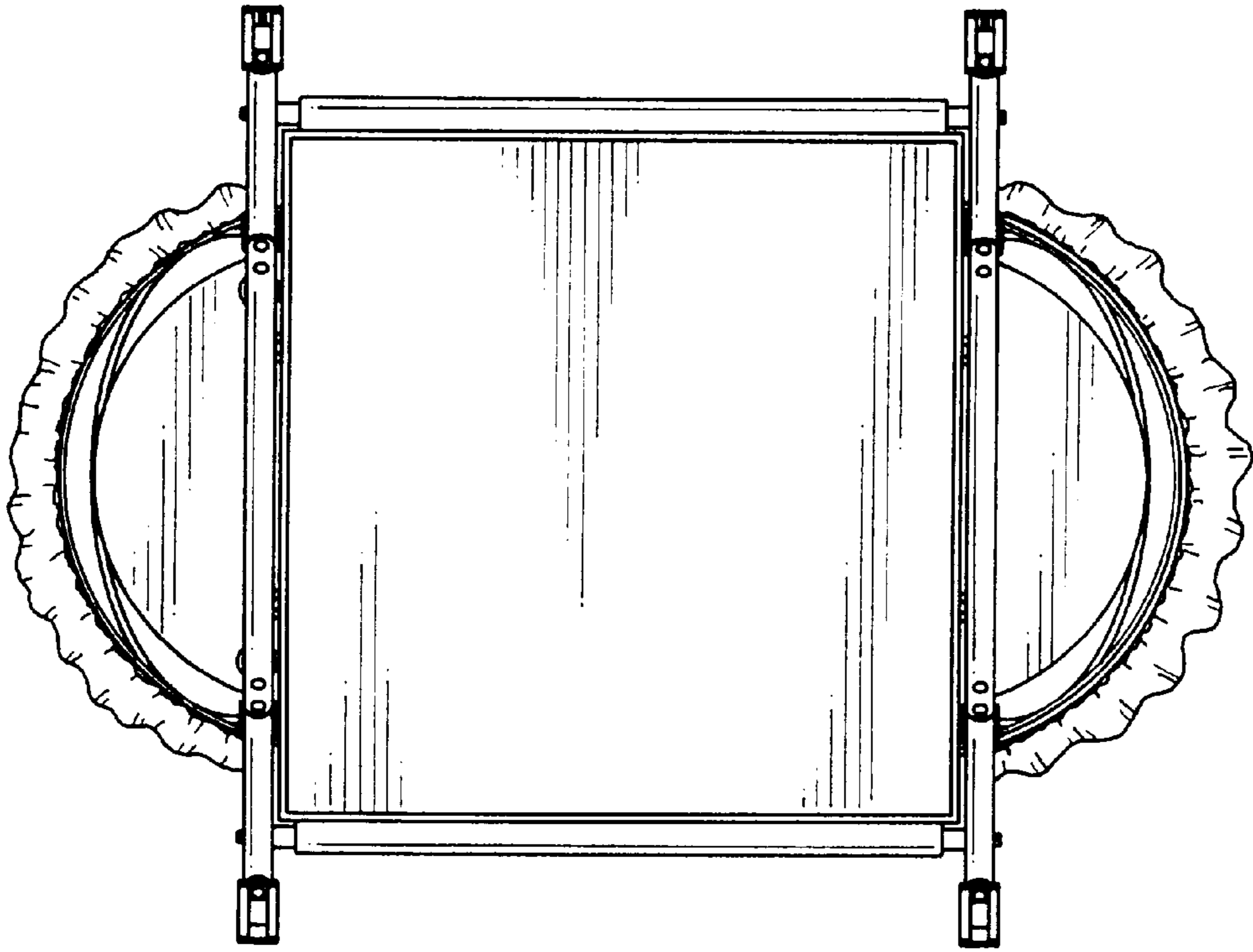


FIG. 7

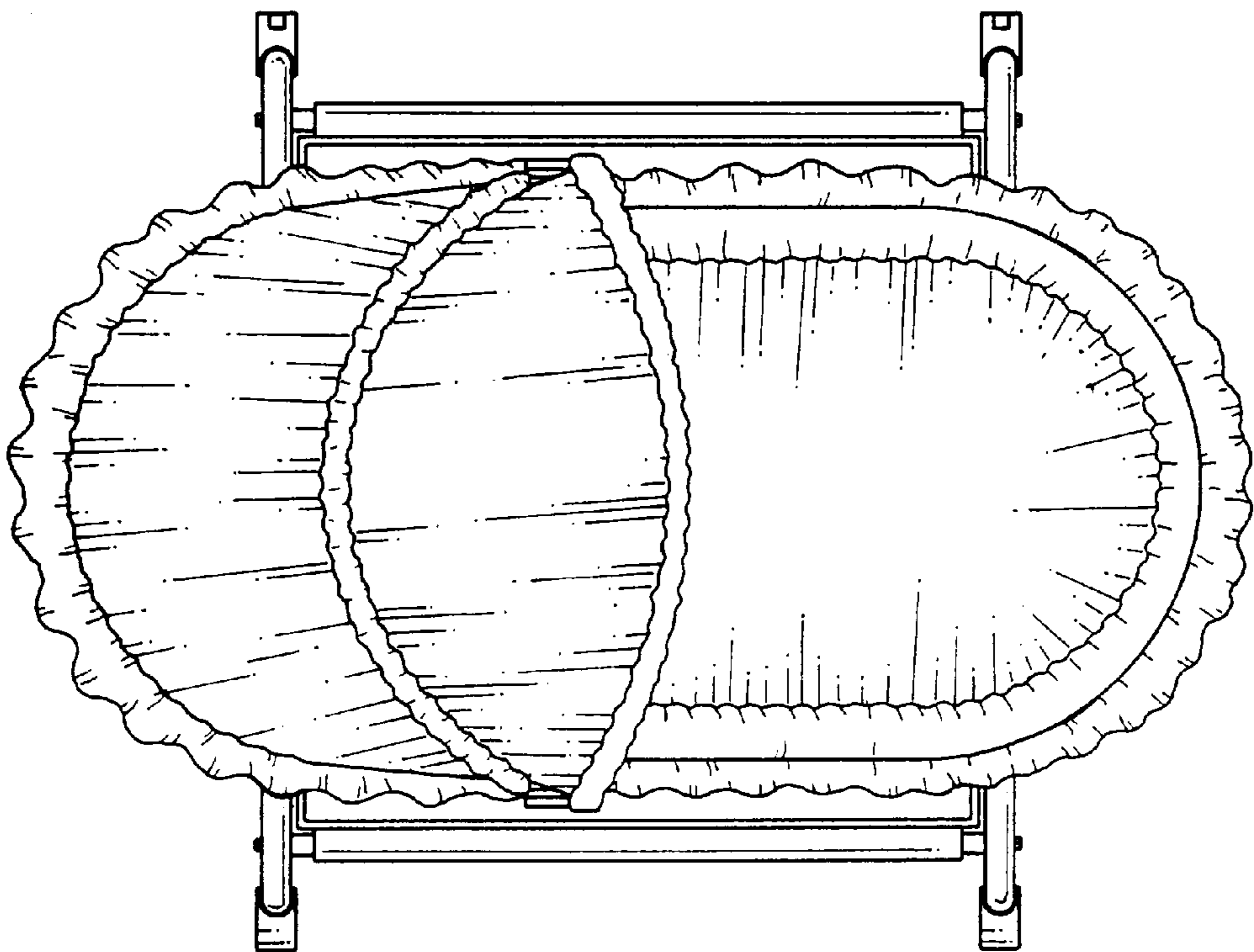


FIG. 6