



US00D410153S

United States Patent [19]
McAllister

[11] **Patent Number: Des. 410,153**
[45] **Date of Patent: ** May 25, 1999**

[54] **FABRIC NAP AREA FOR INFANTS**

[75] Inventor: **Robert J. McAllister**, Encinitas, Calif.

[73] Assignee: **Creative Toy Products, Inc.**, Solana Beach, Calif.

[**] Term: **14 Years**

[21] Appl. No.: **29/087,687**

[22] Filed: **May 7, 1998**

[51] **LOC (6) Cl.** **06-01**

[52] **U.S. Cl.** **D6/390; D6/331**

[58] **Field of Search** D6/382, 390-395,
D6/331, 333; 5/907, 93.1, 98.1, 99.1, 101,
655, 97; 135/124-126, 137, 90, 117; D21/834,
837

[56] **References Cited**

U.S. PATENT DOCUMENTS

D. 341,407 11/1993 McLeese D21/253

(List continued on next page.)

Primary Examiner—Janice E. Seeger
Attorney, Agent, or Firm—Baker & Maxham

[57] **CLAIM**

The ornamental design for a fabric nap area for infants, as shown and described.

DESCRIPTION

FIG. 1 is a side and end perspective view of a fabric nap area for infants showing my new design;

FIG. 2 is a view of a first side of the fabric nap area of FIG. 1;

FIG. 3 is a view of a second side, opposite the first side, of the fabric nap area of FIG. 1;

FIG. 4 is view of a first end of the fabric nap area of FIG. 1;

FIG. 5 is a view of a second end, opposite the first end, of the fabric nap area of FIG. 1;

FIG. 6 is a view of the top of the fabric nap area of FIG. 1; and

FIG. 7 is a view of the bottom of the fabric nap area of FIG. 1.

FIG. 8 is a side and end perspective view of a first alternative embodiment embodiment to FIG. 1 of a fabric nap area for infants showing my new design;

FIG. 9 is a view of a first side of the fabric nap area of FIG. 8;

FIG. 10 is a view of a second side, opposite the first side, of the fabric nap area of FIG. 8;

FIG. 11 is view of a first end of the fabric nap area of FIG. 8;

FIG. 12 is a view of a second end, opposite the first end, of the fabric nap area of FIG. 8;

FIG. 13 is a view of the top of the fabric nap area of FIG. 8; and

FIG. 14 is a view of the bottom of the fabric nap area of FIG. 8.

FIG. 15 is a side and end perspective view of a second alternative embodiment to FIG. 1 of a fabric nap area for infants showing my new design;

FIG. 16 is a view of a first side of the fabric nap area of FIG. 15;

FIG. 17 is a view of a second side, opposite the first side, of the fabric nap area of FIG. 15;

FIG. 18 is view of a first end of the fabric nap area of FIG. 15;

FIG. 19 is a view of a second end, opposite the first end, of the fabric nap area of FIG. 15;

FIG. 20 is a view of the top of the fabric nap area of FIG. 15; and

FIG. 21 is a view of the bottom of the fabric nap area of FIG. 15.

FIG. 22 is a side and end perspective view of a third alternative embodiment to FIG. 1 of a fabric nap area for infants showing my new design;

FIG. 23 is a view of a first side of the fabric nap area of FIG. 22;

FIG. 24 is a view of a second side, opposite the first side, of the fabric nap area of FIG. 22;

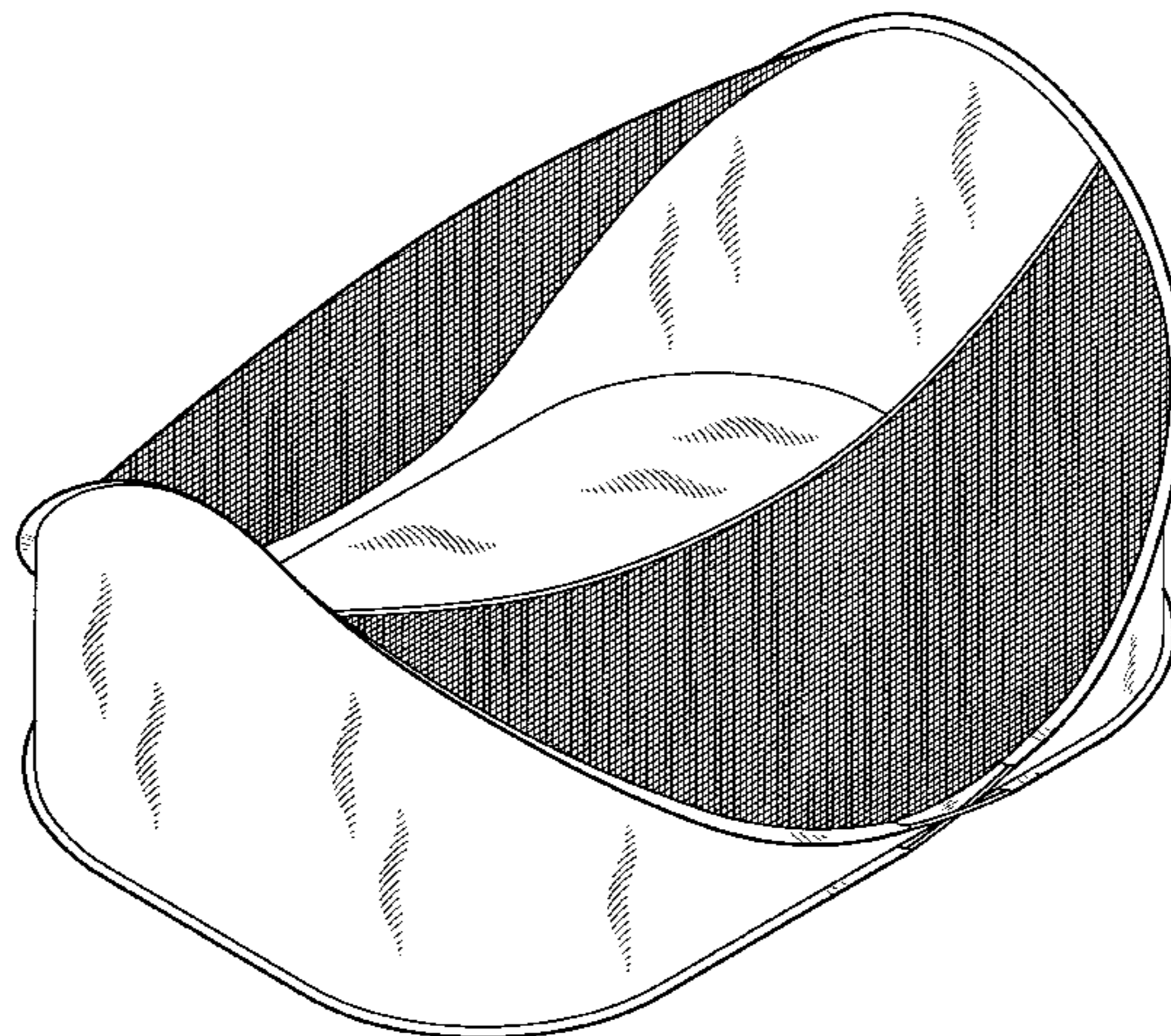
FIG. 25 is view of a first end of the fabric nap area of FIG. 22;

FIG. 26 is a view of a second end, opposite the first end, of the fabric nap area of FIG. 22;

FIG. 27 is a view of the top of the fabric nap area of FIG. 22; and,

FIG. 28 is a view of the bottom of the fabric nap area of FIG. 22.

1 Claim, 16 Drawing Sheets



Des. 410,153

Page 2

U.S. PATENT DOCUMENTS			
		3,960,161	6/1976 Norman 135/1 R
		4,493,120	1/1985 Watts 5/99.1
D. 369,492	5/1996 Panno, Jr. et al.	5,337,772	8/1994 Habchi 135/125
		5,642,538	7/1997 McAllister 5/99.1
2,586,247	2/1952 Mover		

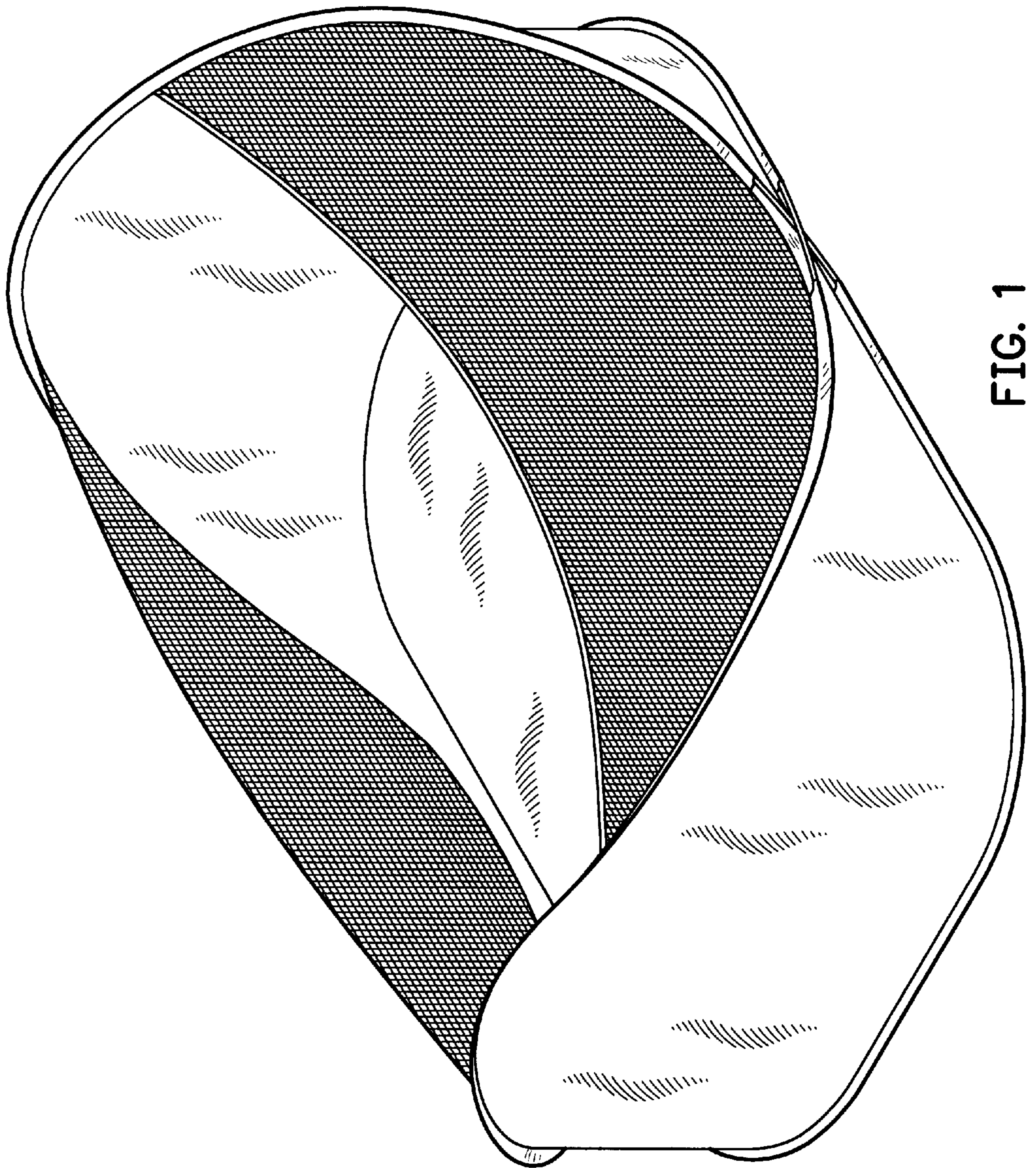


FIG. 1

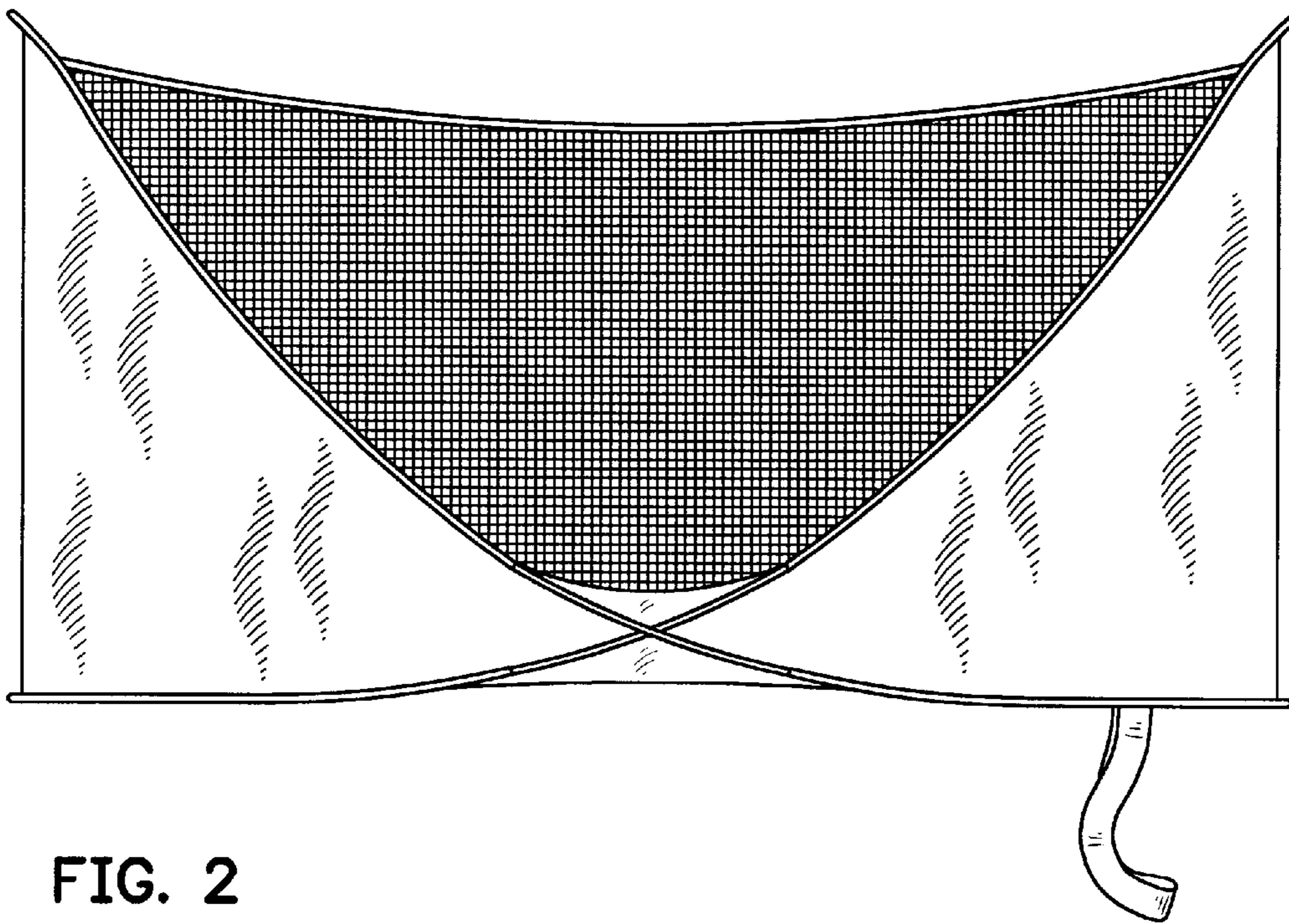


FIG. 2

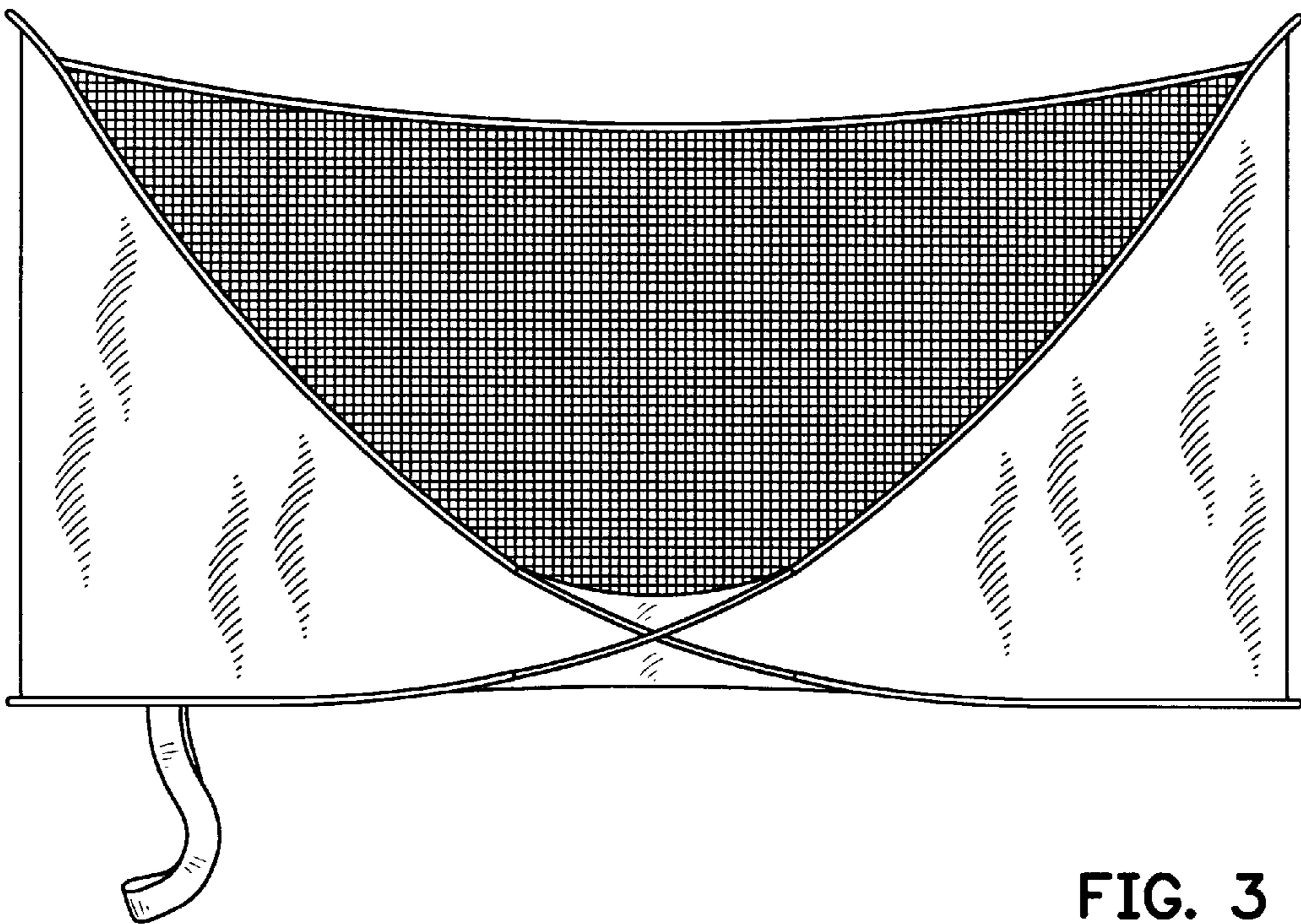


FIG. 3

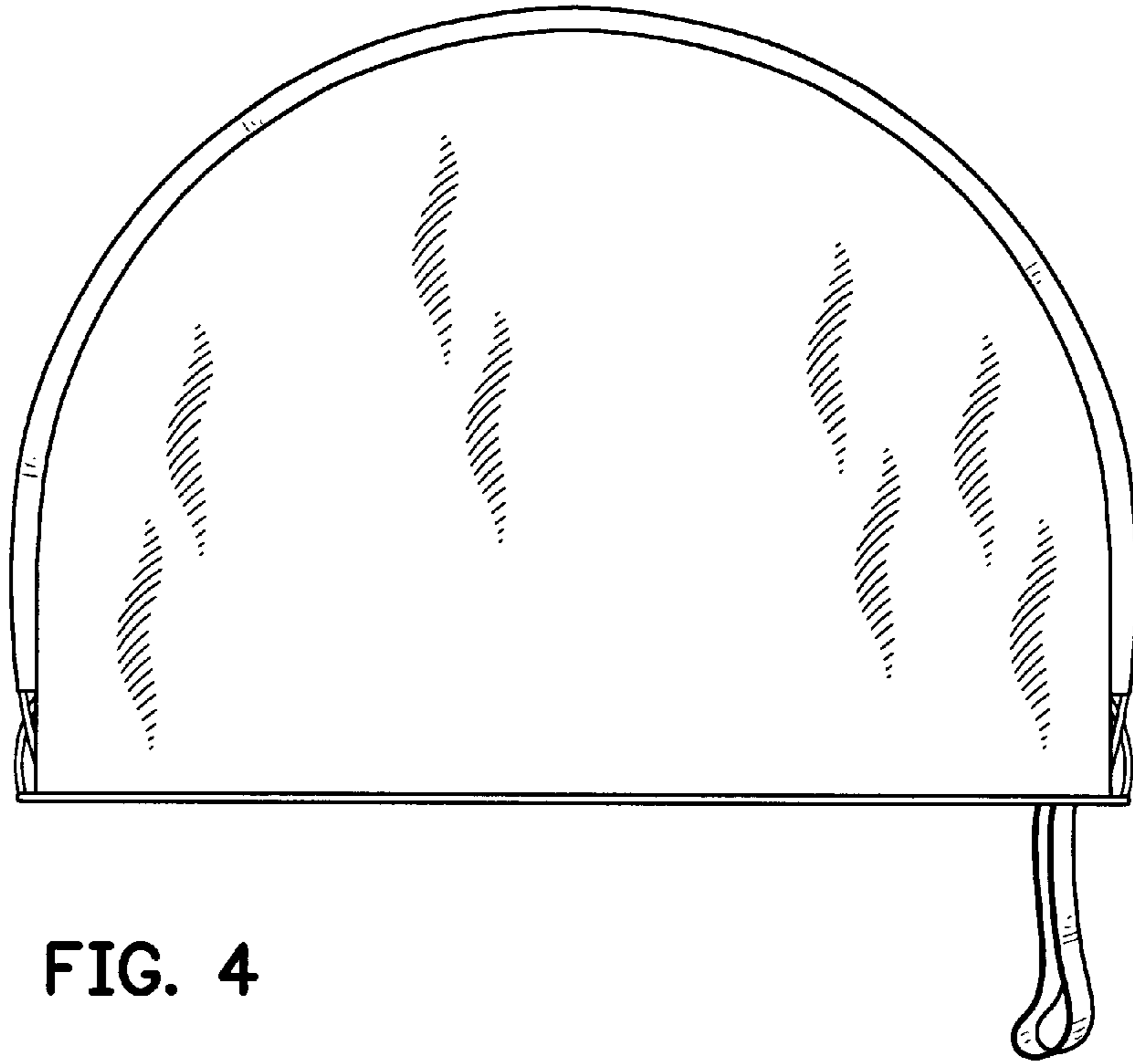


FIG. 4

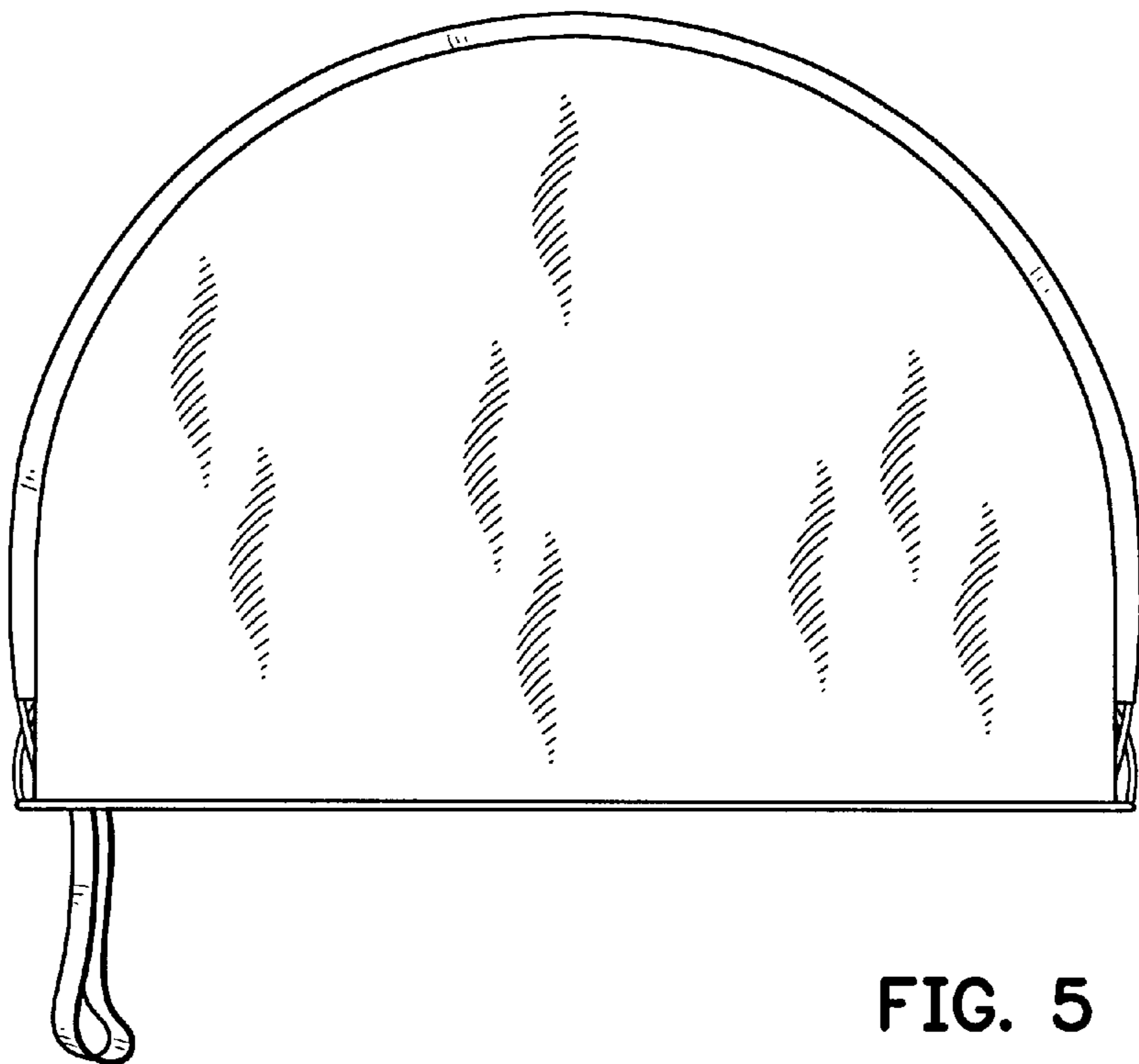


FIG. 5

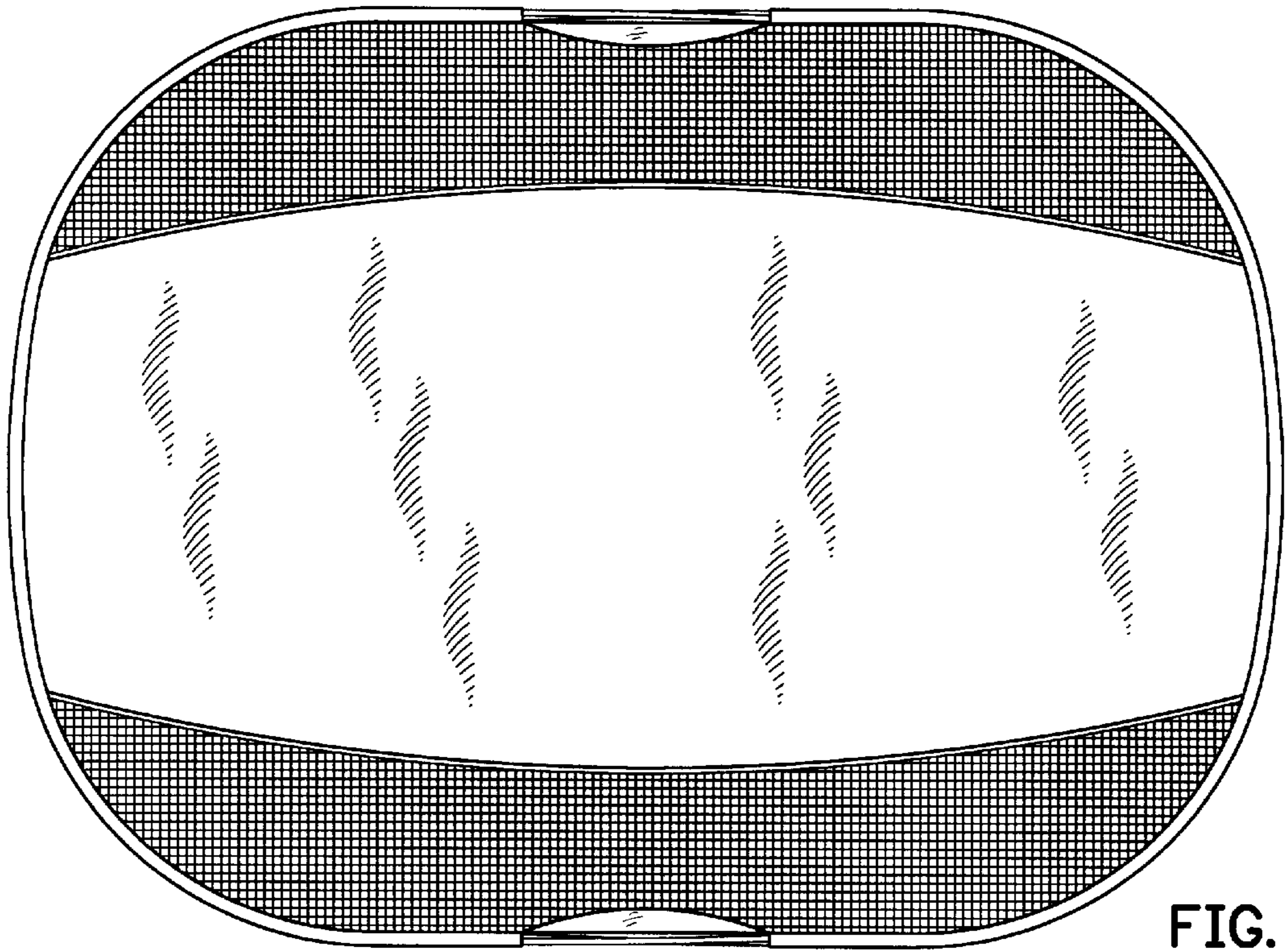


FIG. 6

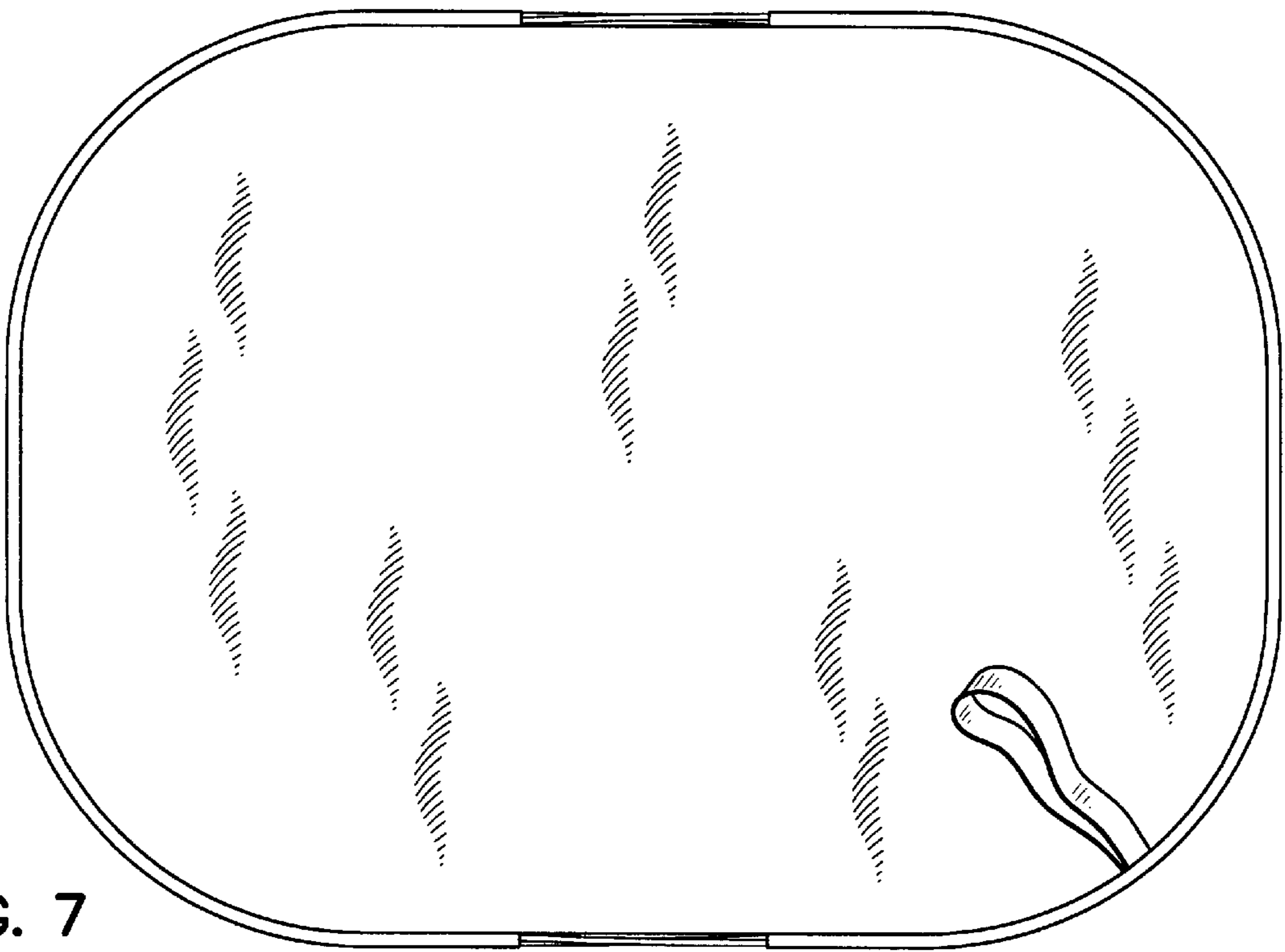


FIG. 7

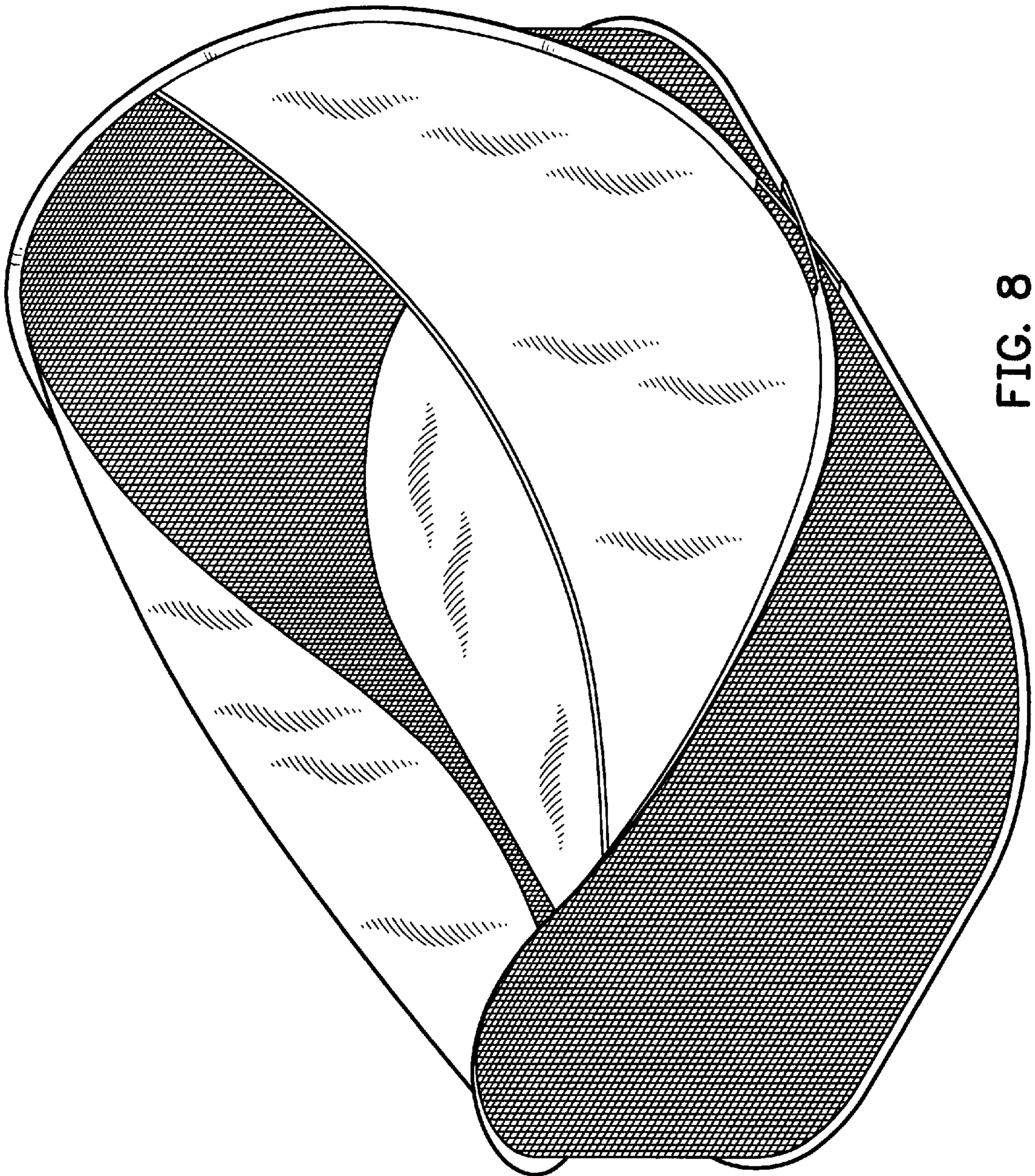


FIG. 8

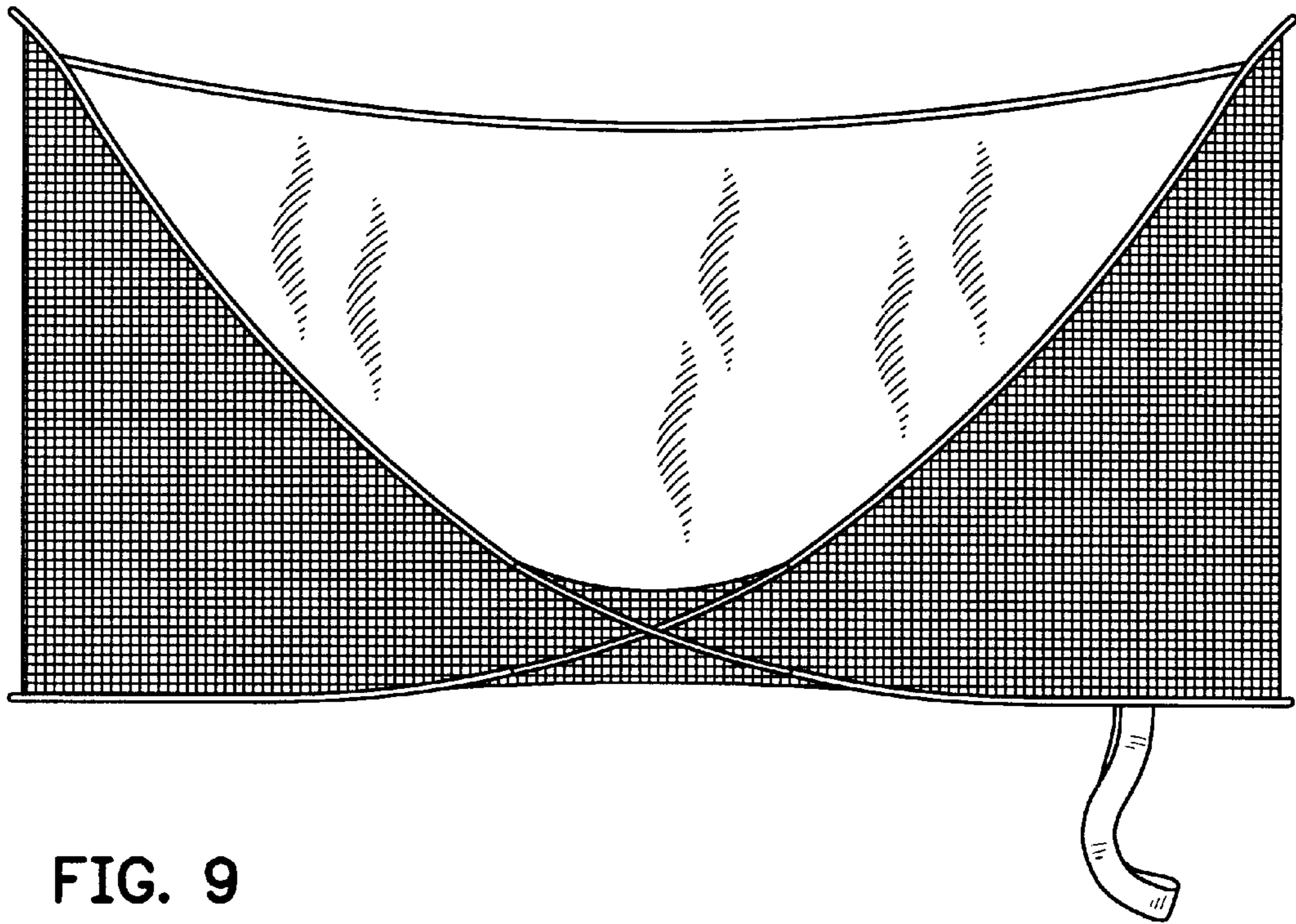


FIG. 9

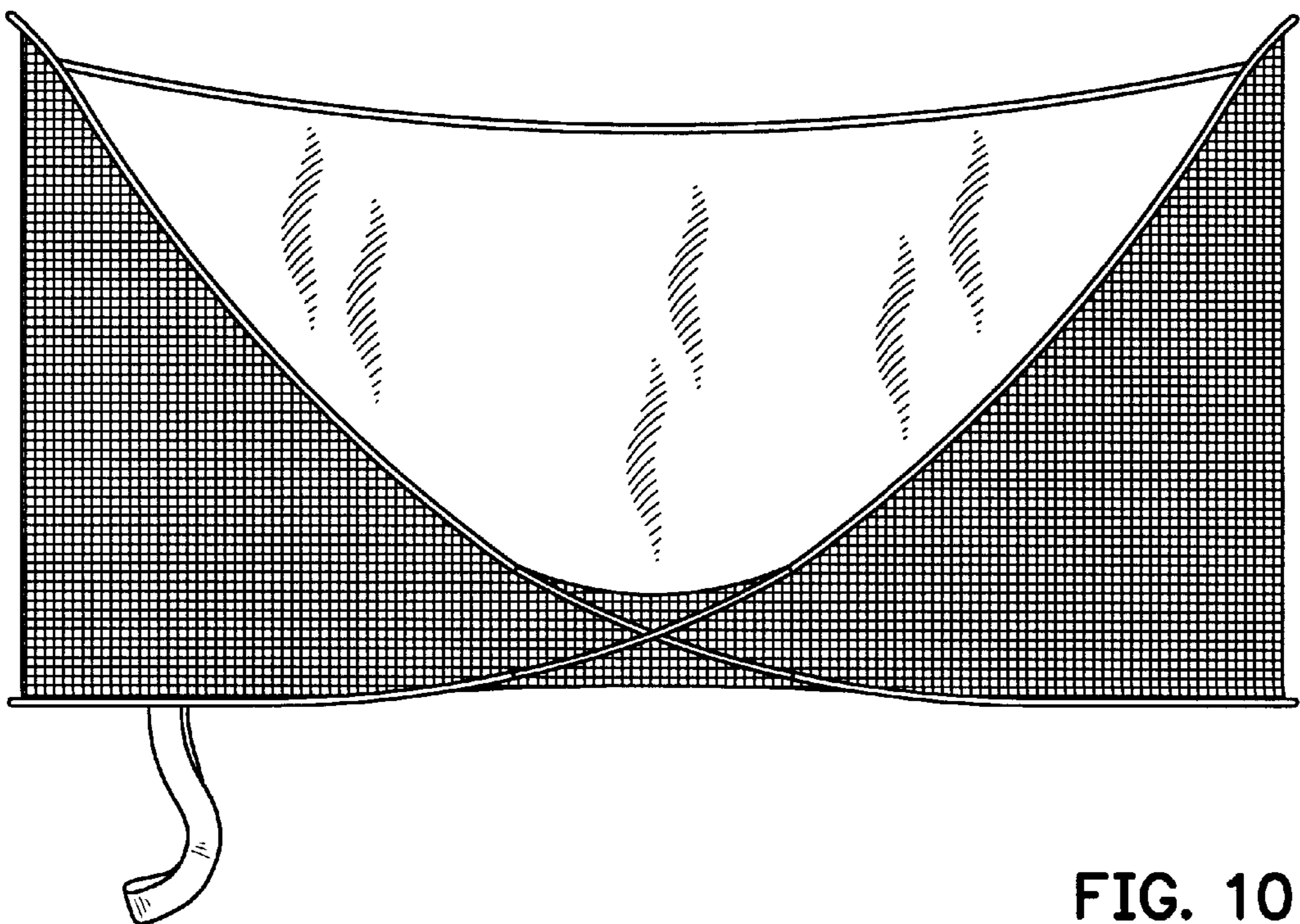


FIG. 10

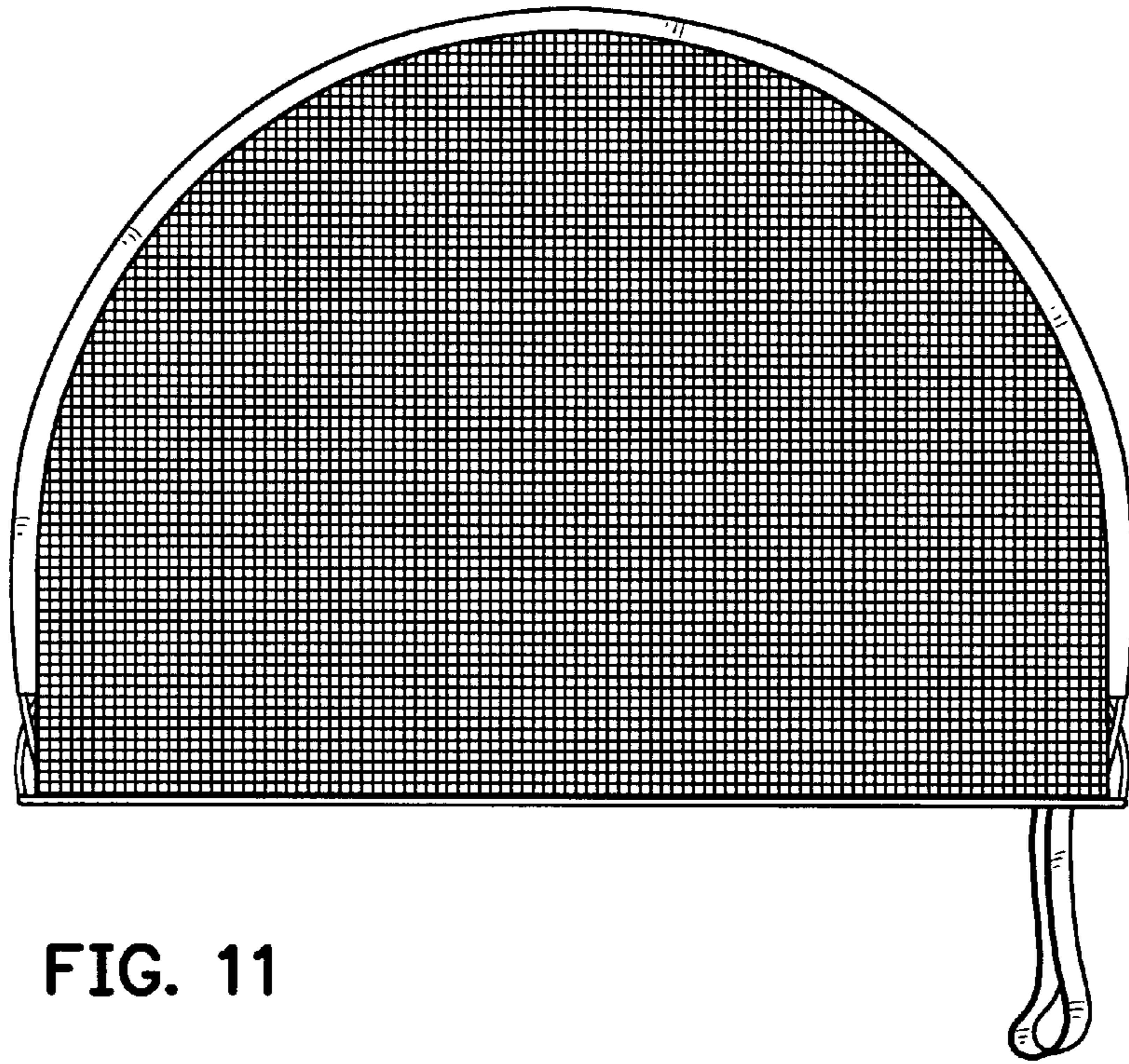


FIG. 11

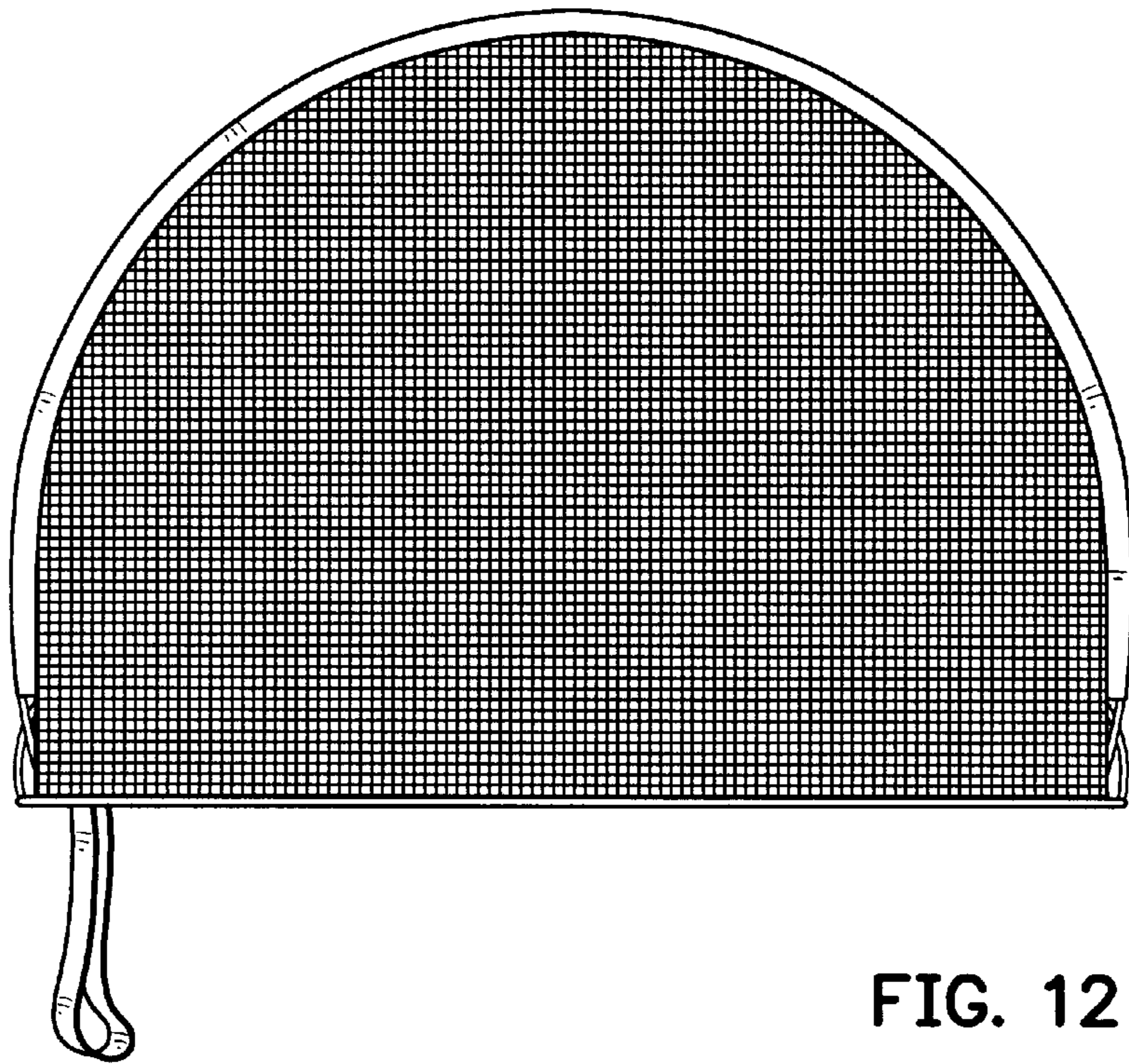


FIG. 12

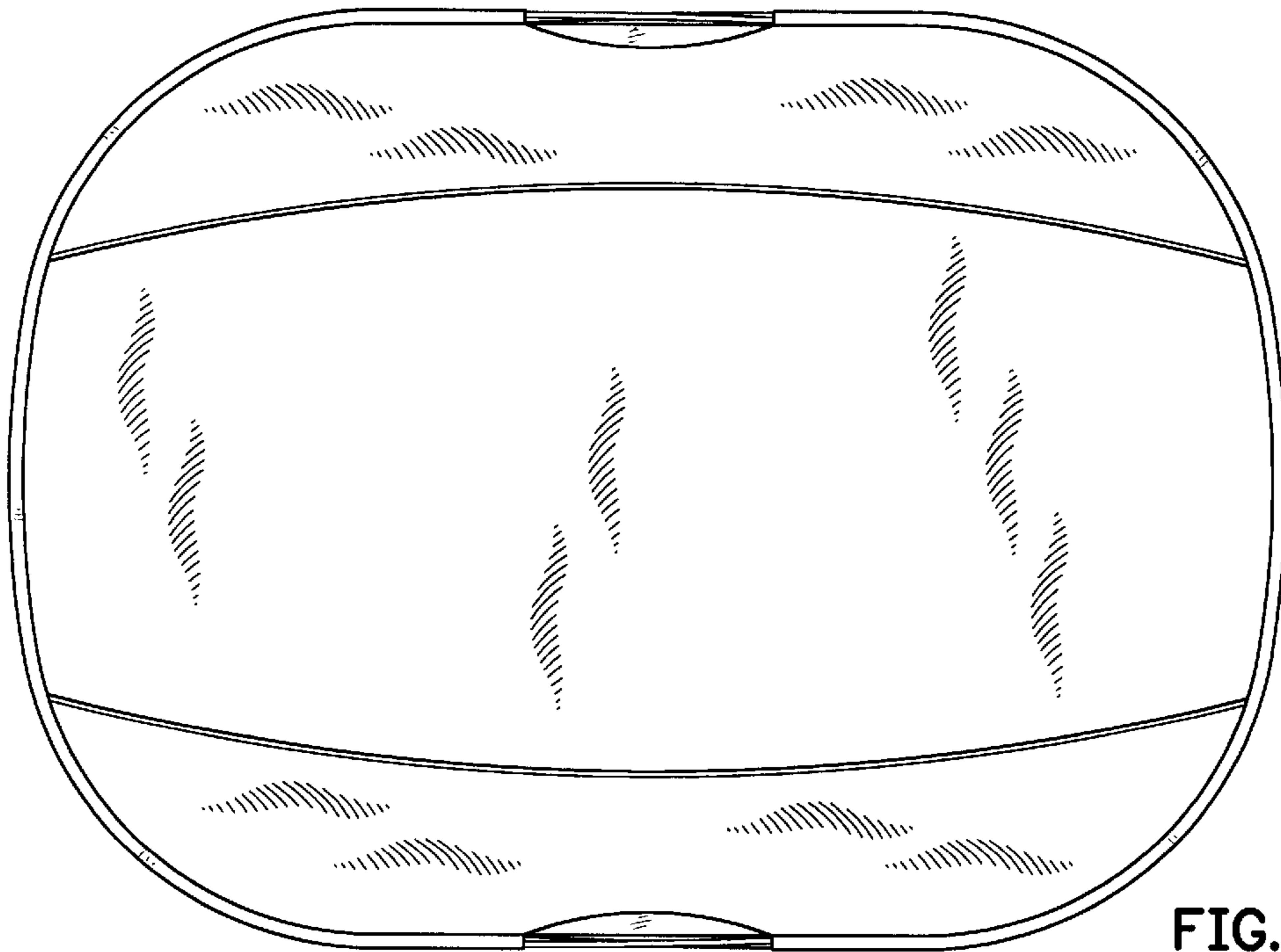


FIG. 13

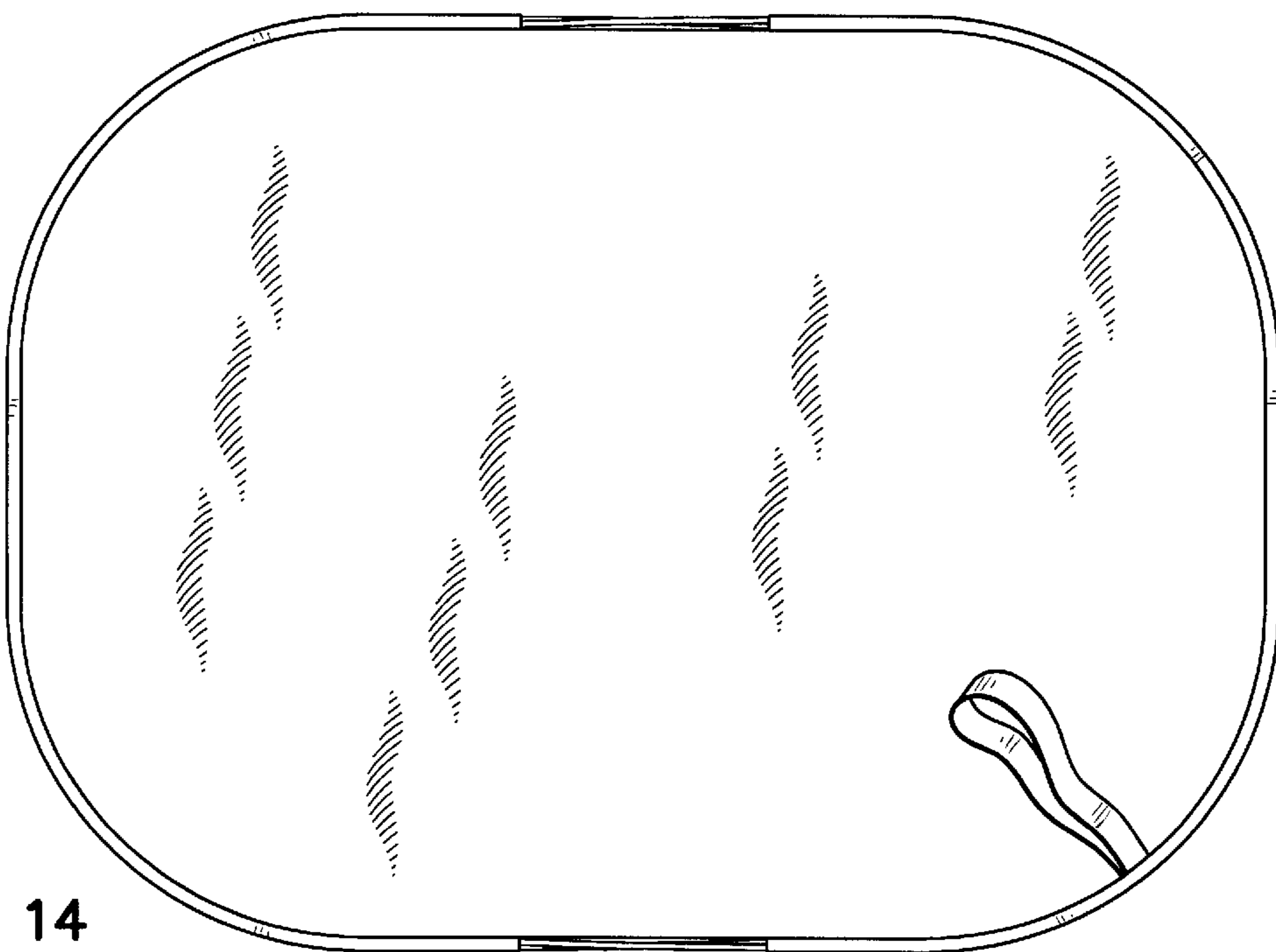


FIG. 14

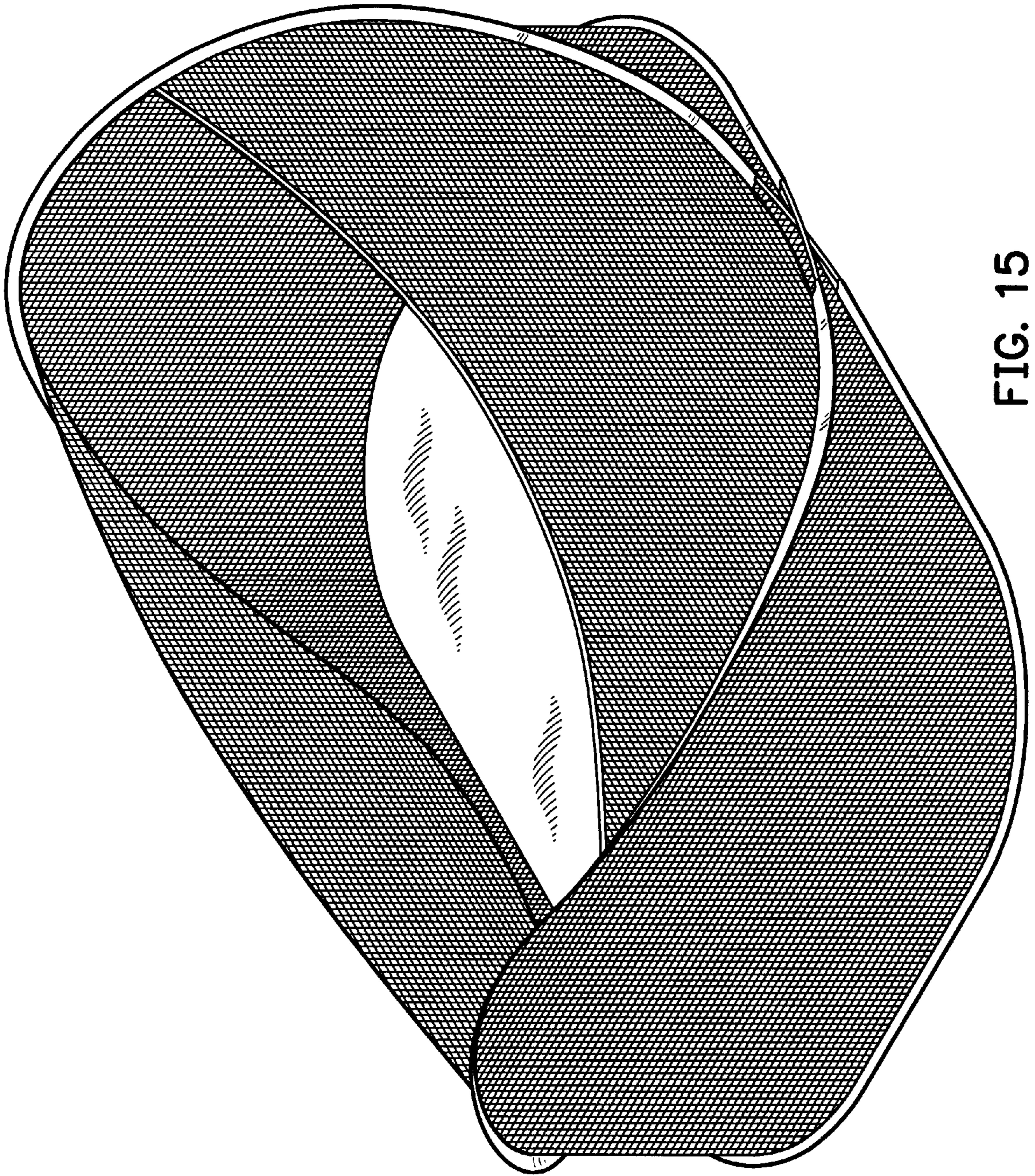


FIG. 15

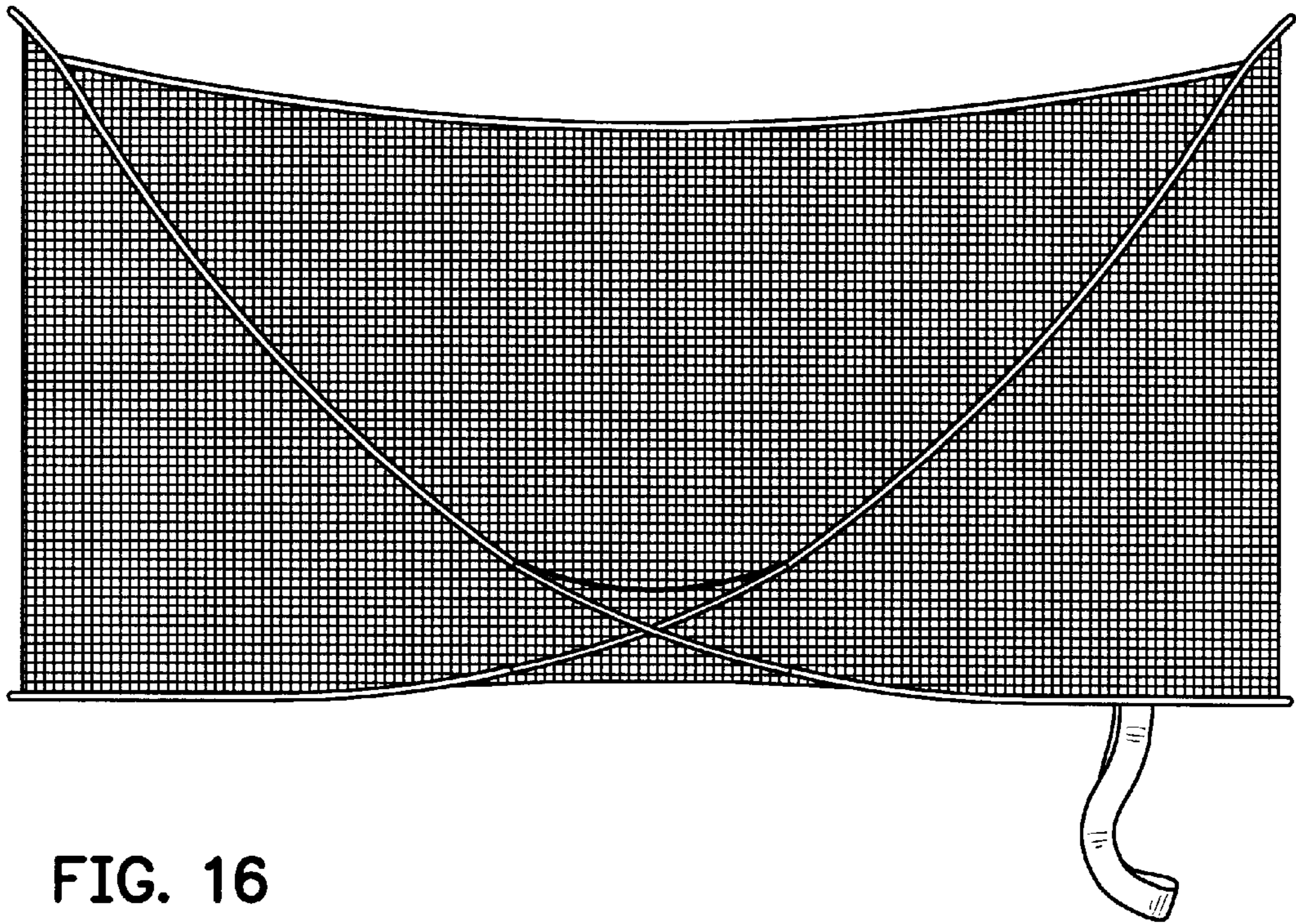


FIG. 16

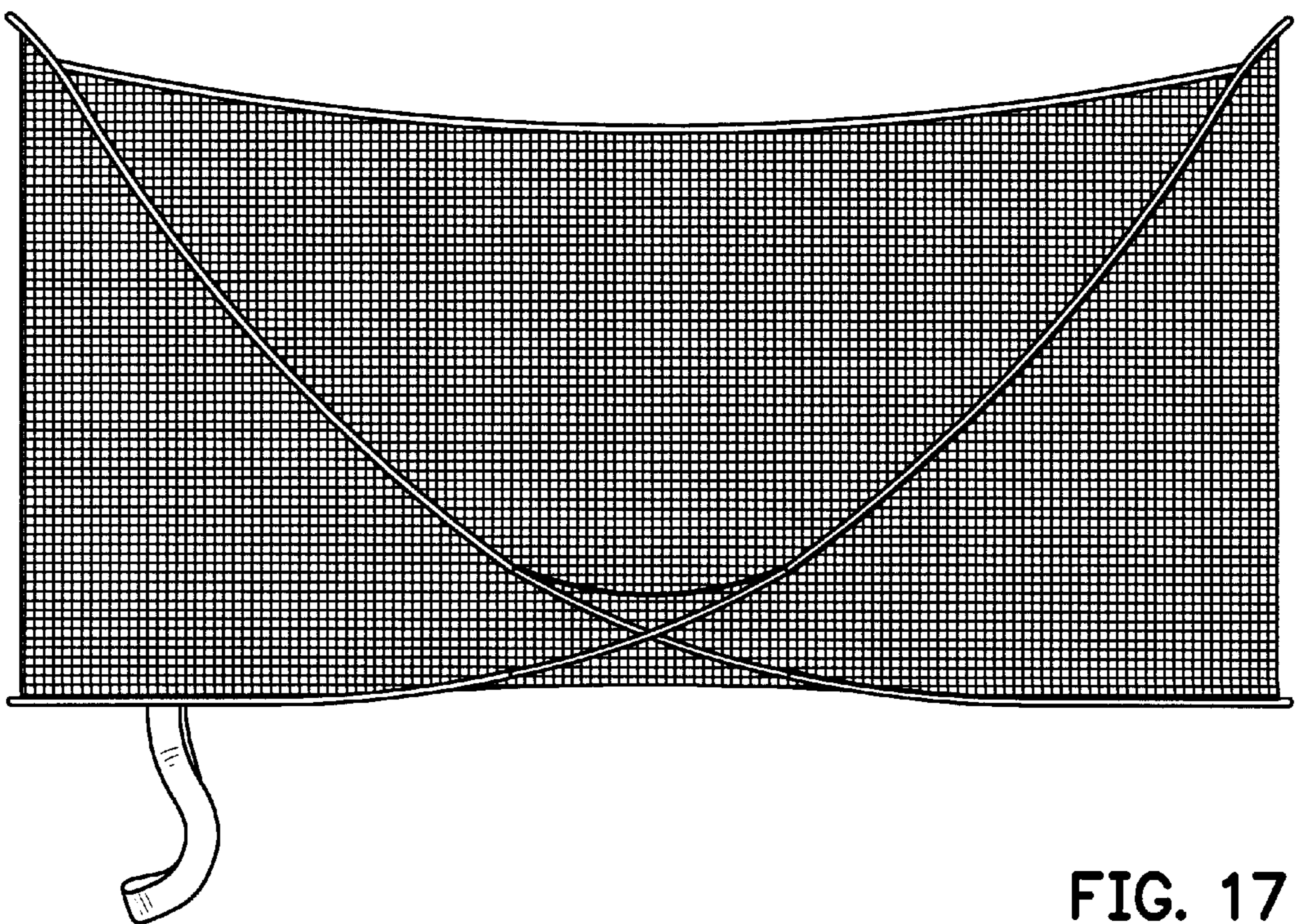


FIG. 17

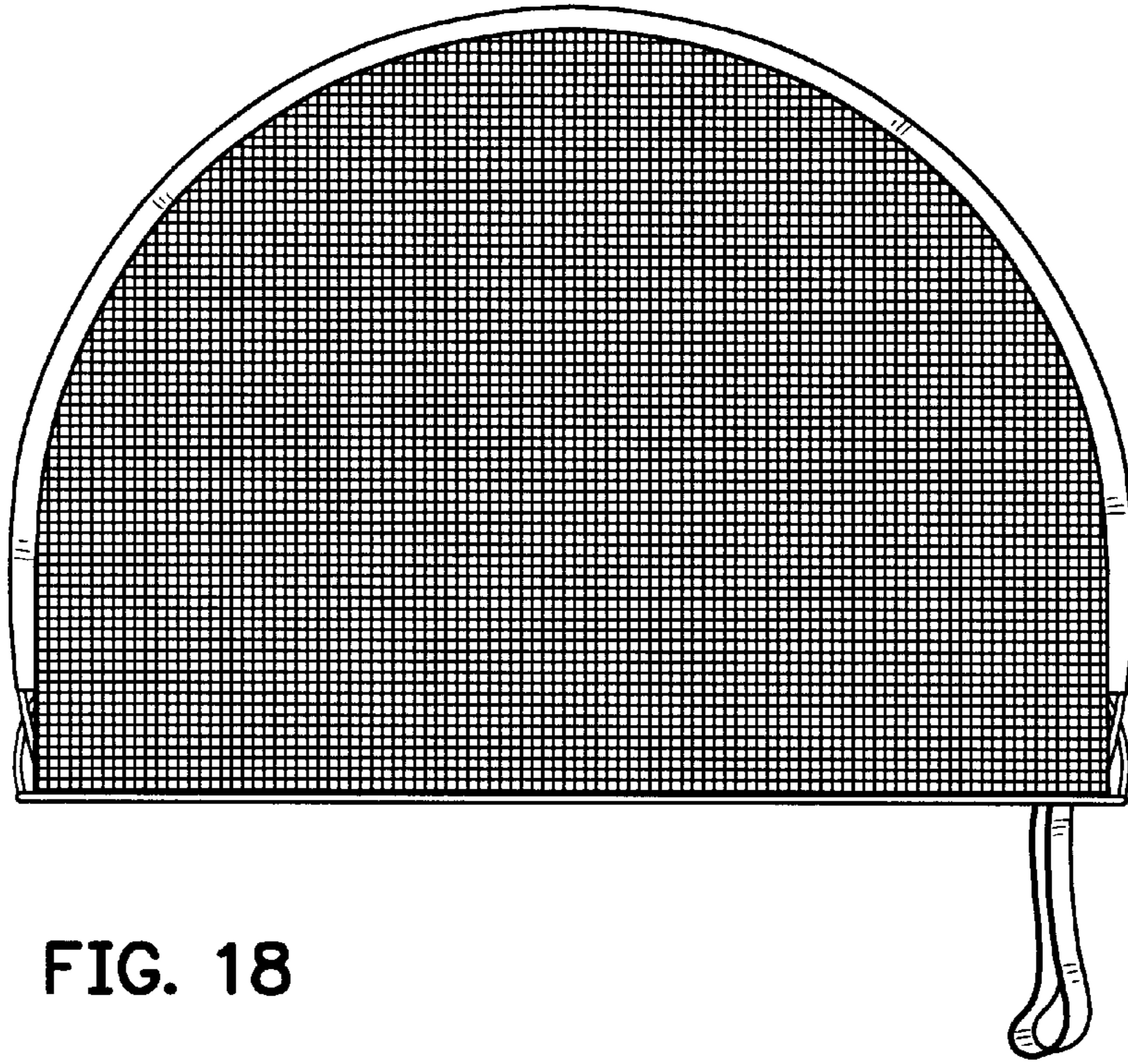


FIG. 18

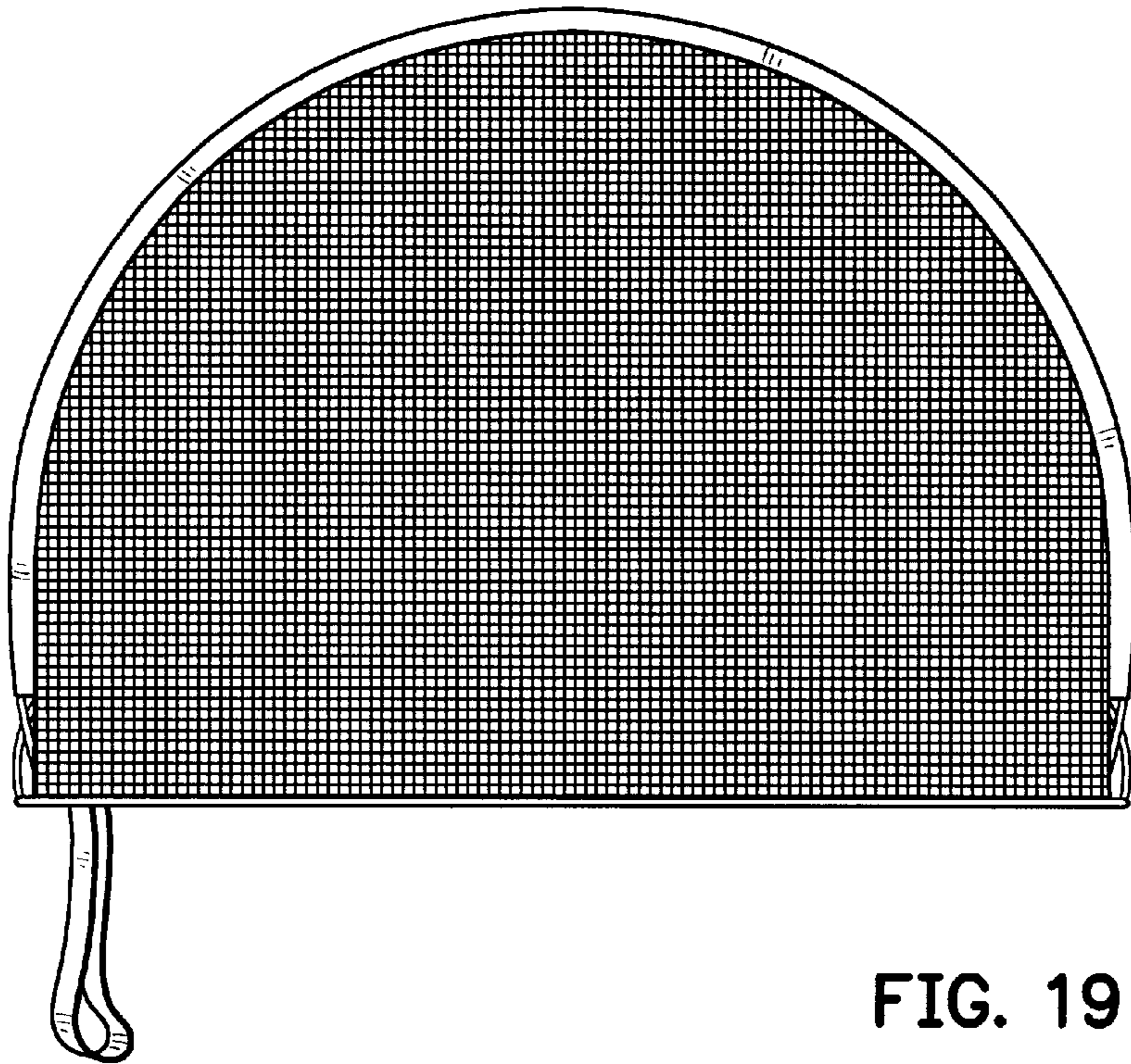


FIG. 19

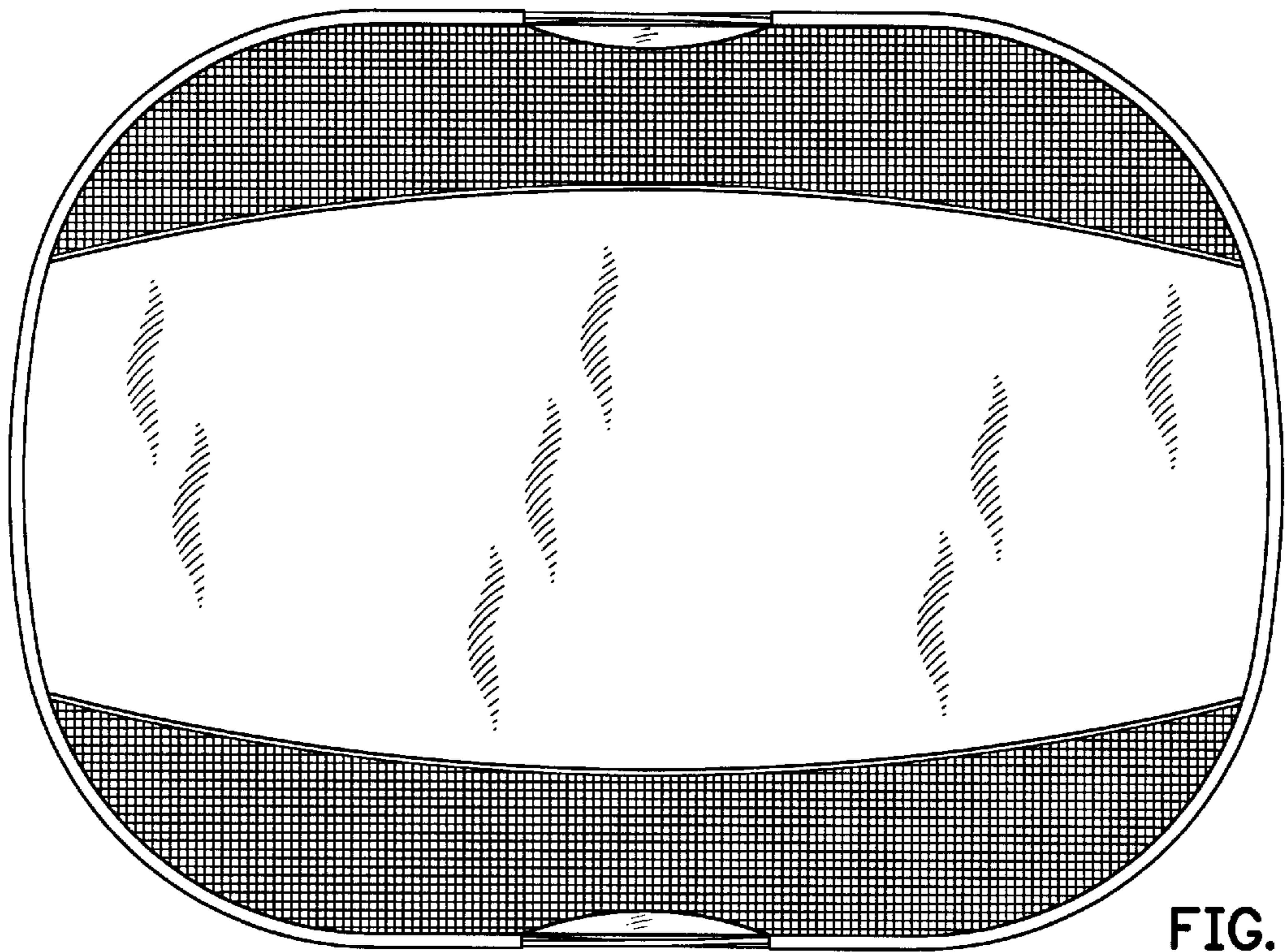


FIG. 20

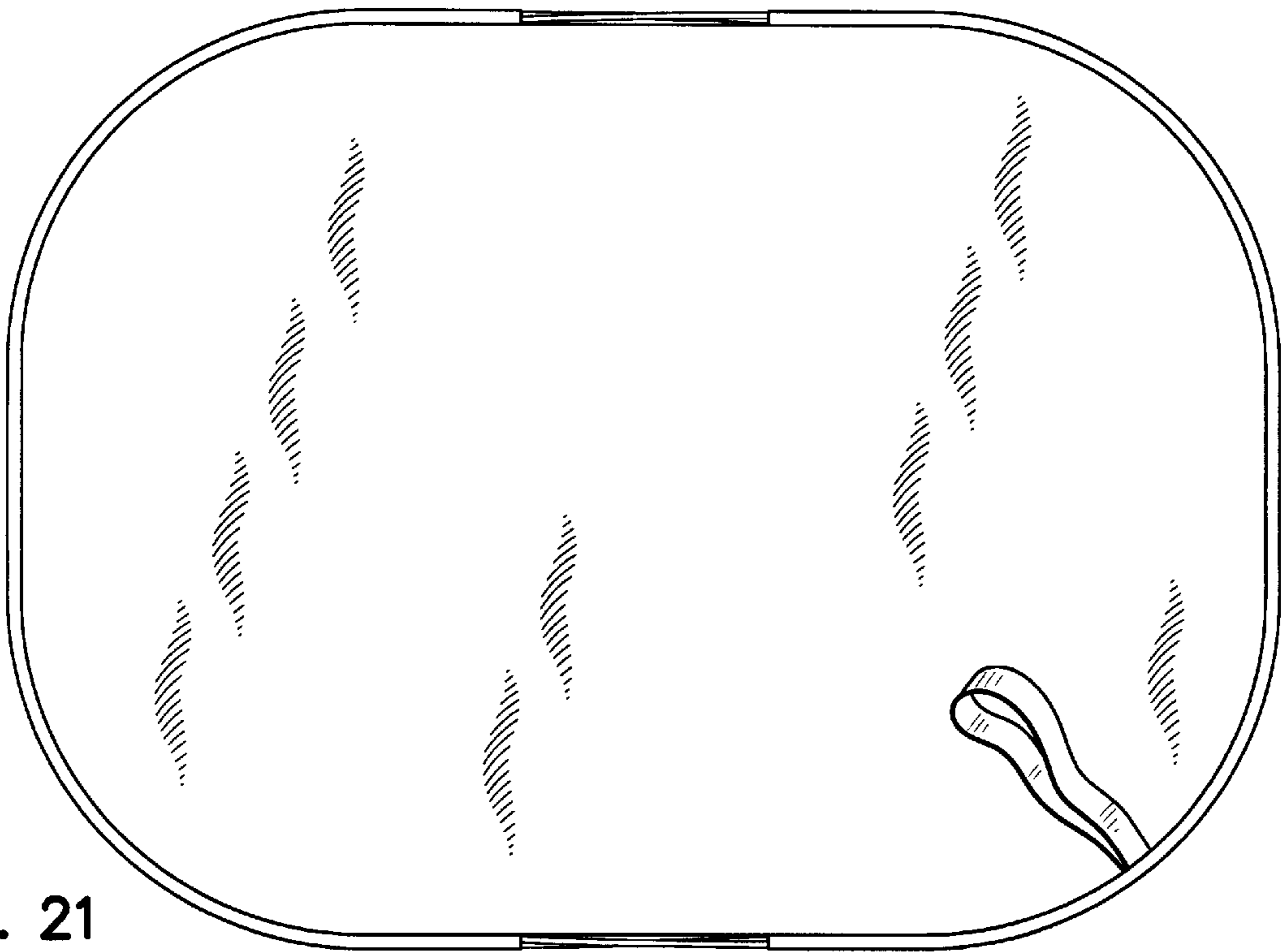


FIG. 21

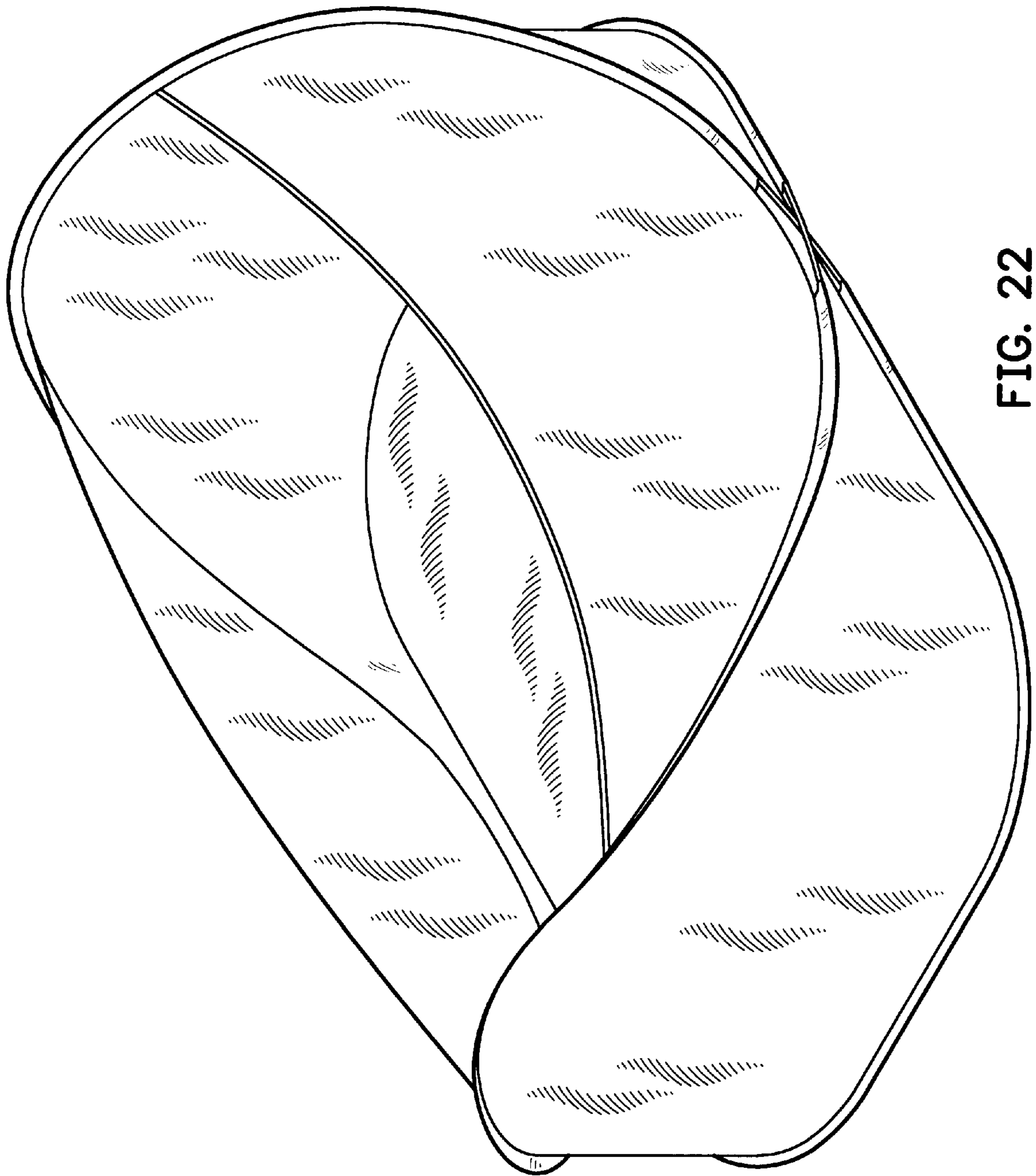


FIG. 22

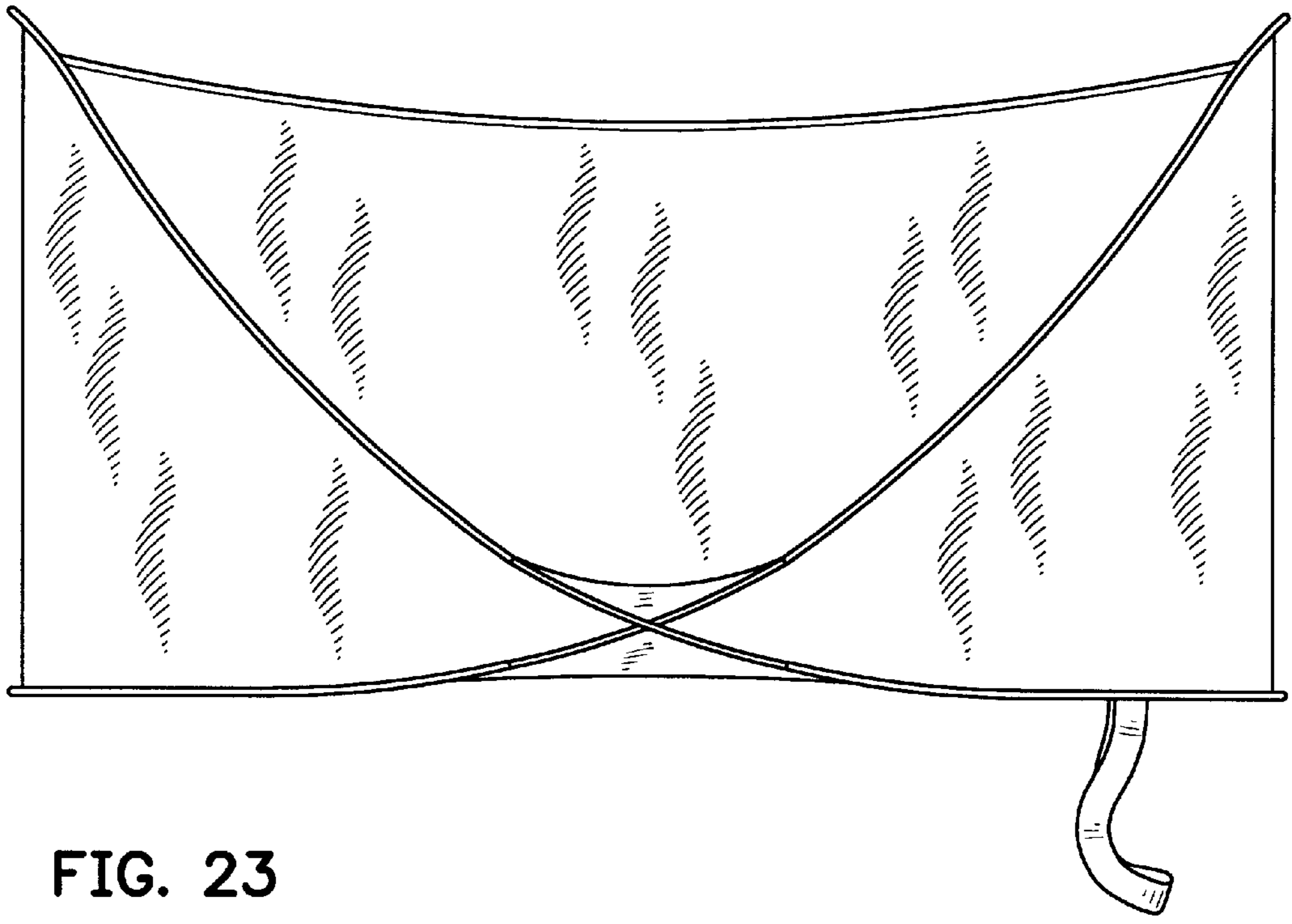


FIG. 23

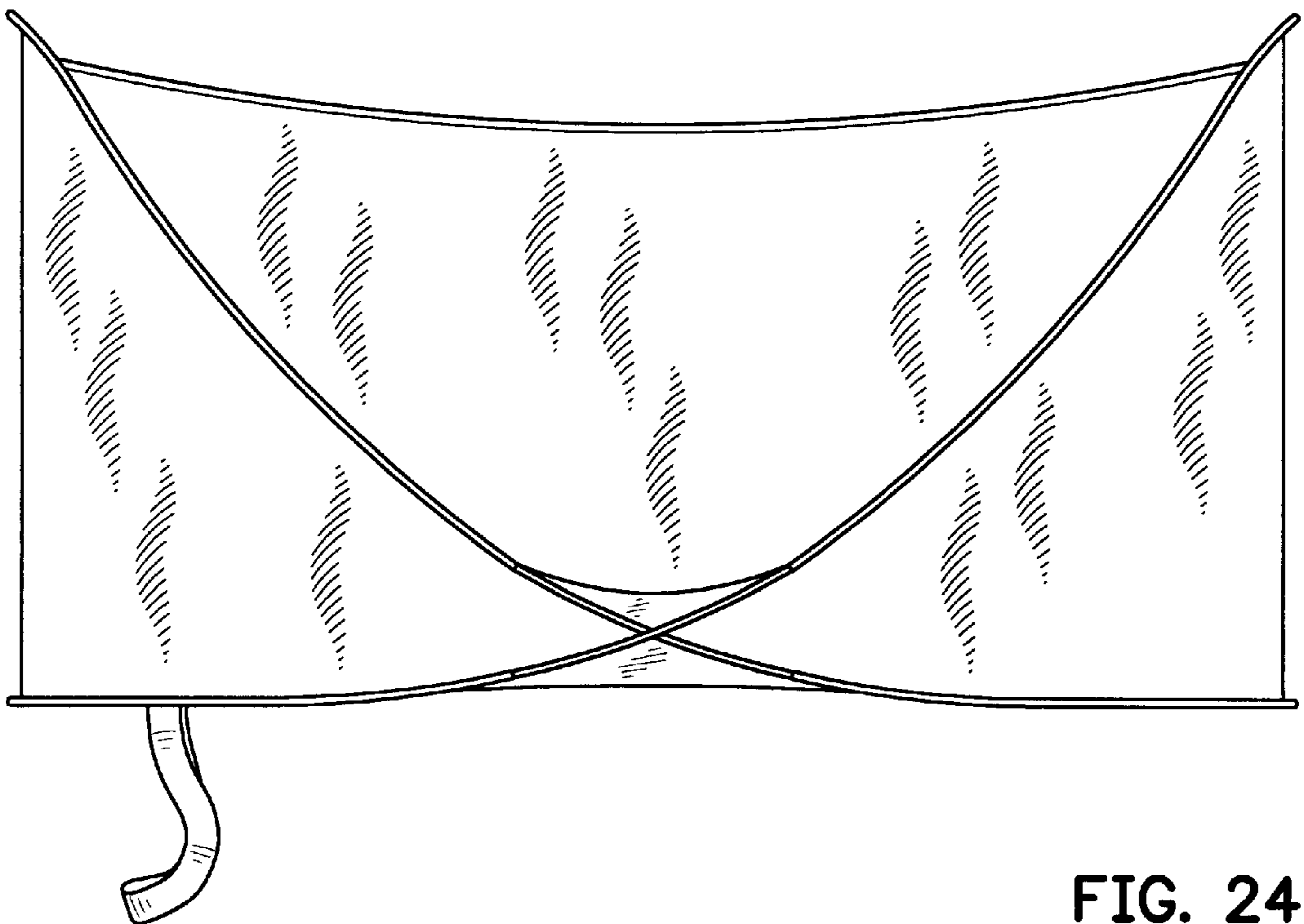


FIG. 24

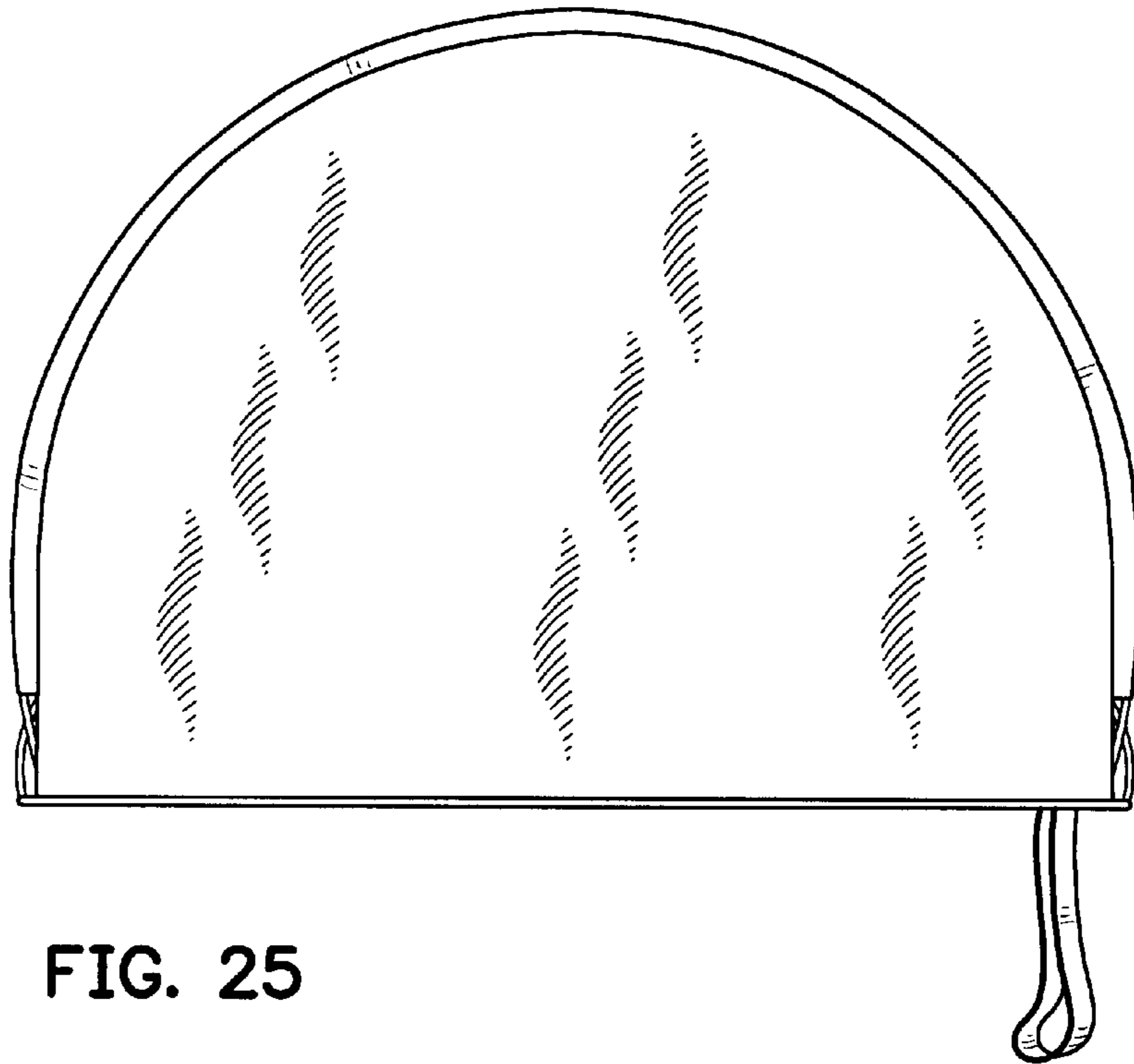


FIG. 25

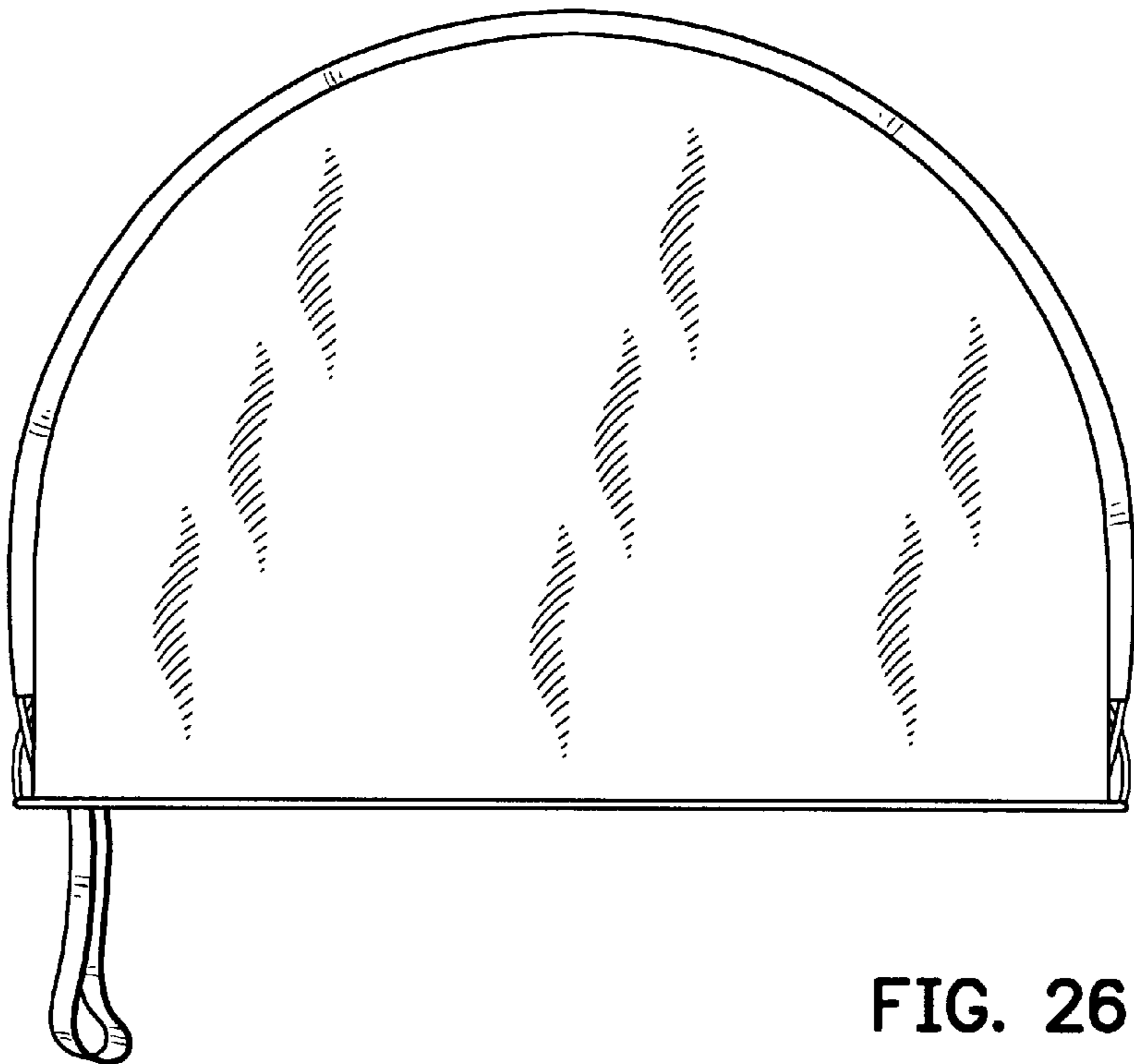


FIG. 26

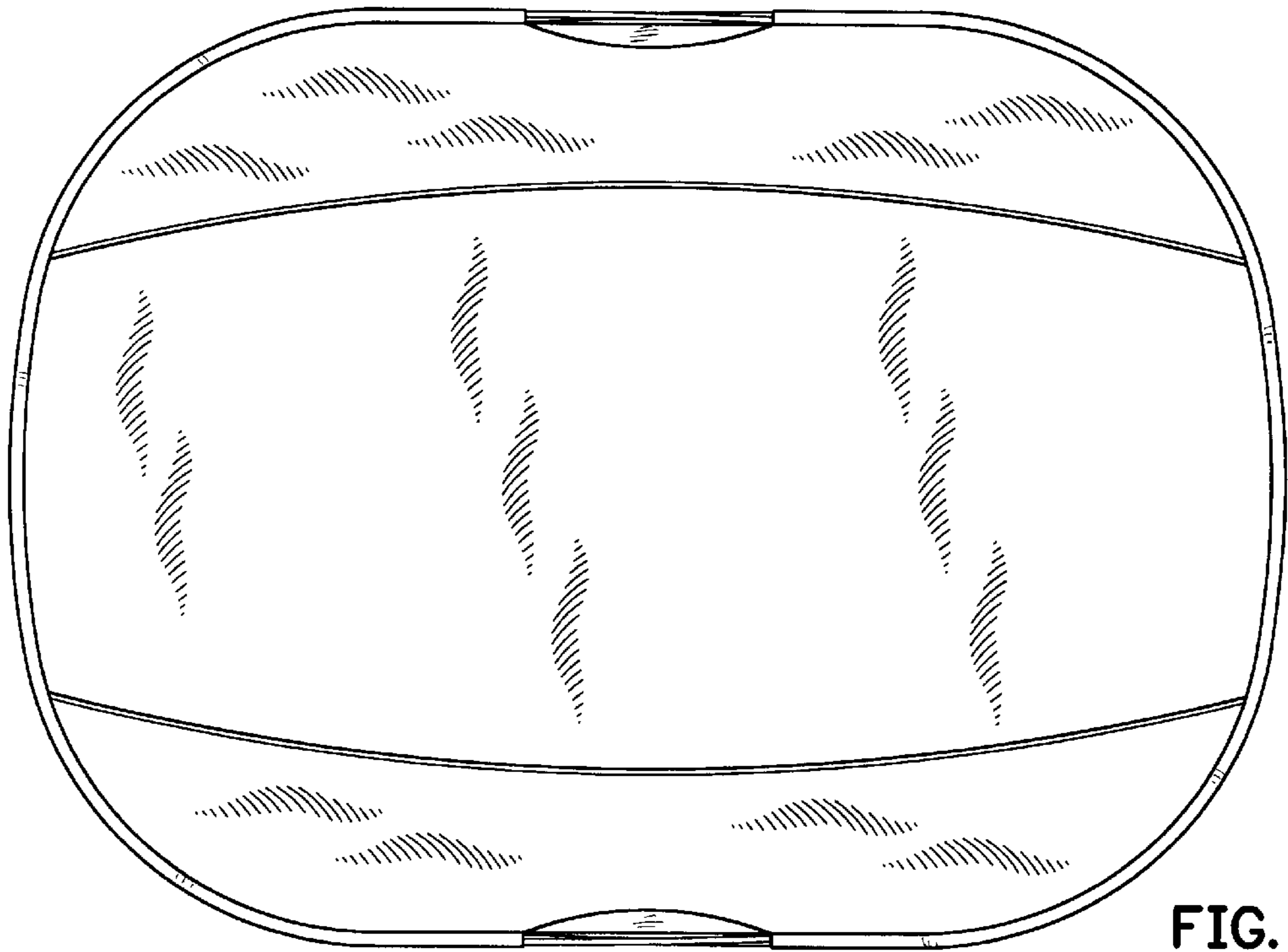


FIG. 27

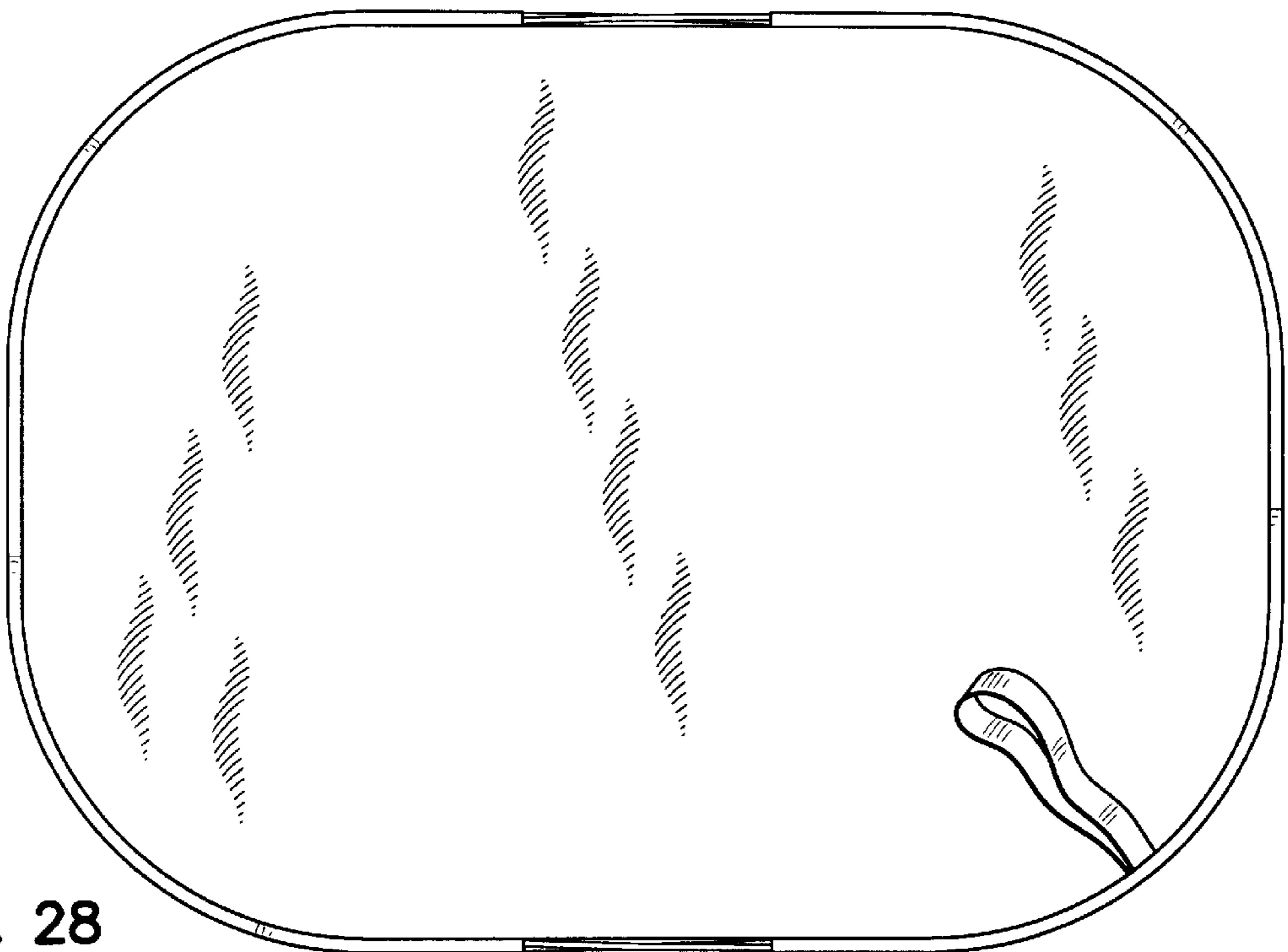


FIG. 28