



US00D410139S

# United States Patent [19] Savoie

[11] Patent Number: Des. 410,139

[45] Date of Patent: \*\* \*May 25, 1999

[54] CONNECTOR FOR QUICK RELEASE SPIKE

[75] Inventor: Armand J. Savoie, Gardner, Mass.

[73] Assignee: MacNeill Engineering Company, Inc.,  
Marlborough, Mass.

[\*] Notice: This patent is subject to a terminal disclaimer.

[\*\*] Term: 14 Years

[21] Appl. No.: 29/081,906

[22] Filed: Jan. 12, 1998

### Related U.S. Application Data

[63] Continuation-in-part of application No. 29/066,411, Jan. 8, 1997, Pat. No. Des. 391,048, which is a continuation-in-part of application No. 08/774,585, Dec. 23, 1996, Pat. No. 5,768,809.

[51] LOC (6) Cl. .... 02-04

[52] U.S. Cl. .... D2/962

[58] Field of Search ..... D2/962, 906; 36/2.5,  
36/134, 59 R, 67 A, 67 R, 67 D, 67 C,  
65

### [56] References Cited

#### U.S. PATENT DOCUMENTS

D. 391,048 2/1998 Savoie ..... D2/962

1,827,514	10/1931	Golden	.....	D2/962
2,607,134	8/1952	Langer	.....	36/59 R
3,040,449	6/1962	Phillips	.....	36/2.5
3,267,593	8/1966	Turner	.....	36/59 R
5,321,901	6/1994	Kelly	.....	36/65
5,386,651	2/1995	Okamoto	.....	36/134
5,655,317	8/1997	Grant	.....	36/134
5,768,809	6/1998	Savoie	.....	36/134

Primary Examiner—Louis S. Zarfes  
Assistant Examiner—Greg Andoll  
Attorney, Agent, or Firm—Bromberg & Sunstein LLP

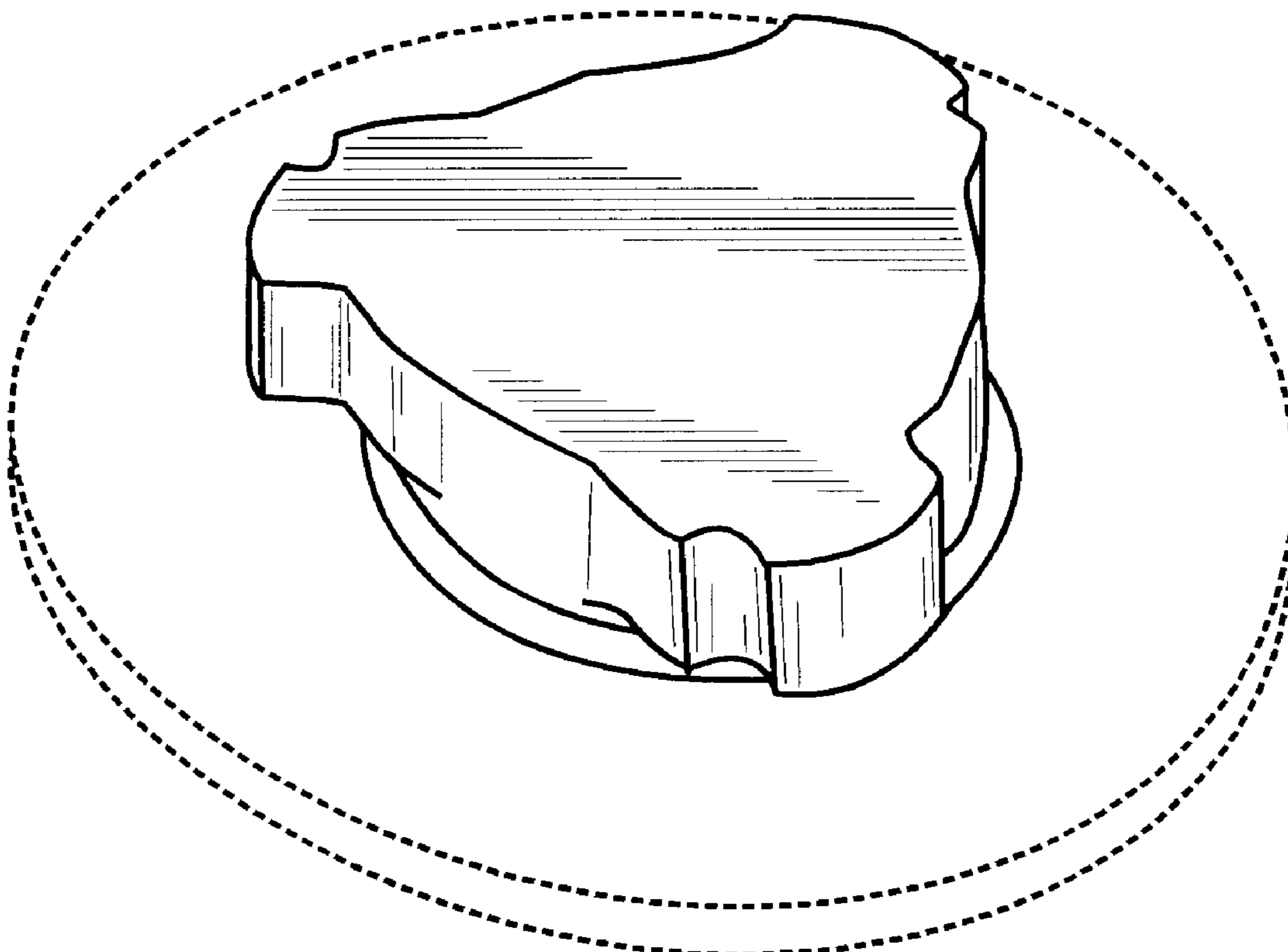
### [57] CLAIM

The ornamental design for a connector for a quick release spike, as shown and described.

### DESCRIPTION

FIG. 1 is a perspective view of a quick release spike, showing my new design;  
FIG. 2 is a left side elevational view thereof;  
FIG. 3 is a right side elevational view thereof;  
FIG. 4 is a front elevational view thereof;  
FIG. 5 is a rear elevational view thereof;  
FIG. 6 is a top plan view thereof; and,  
FIG. 7 is a bottom plan view thereof.  
The broken line showing of environment in FIGS. 1—7 is for illustrative purposes only and forms no part of the claimed design.

1 Claim, 2 Drawing Sheets



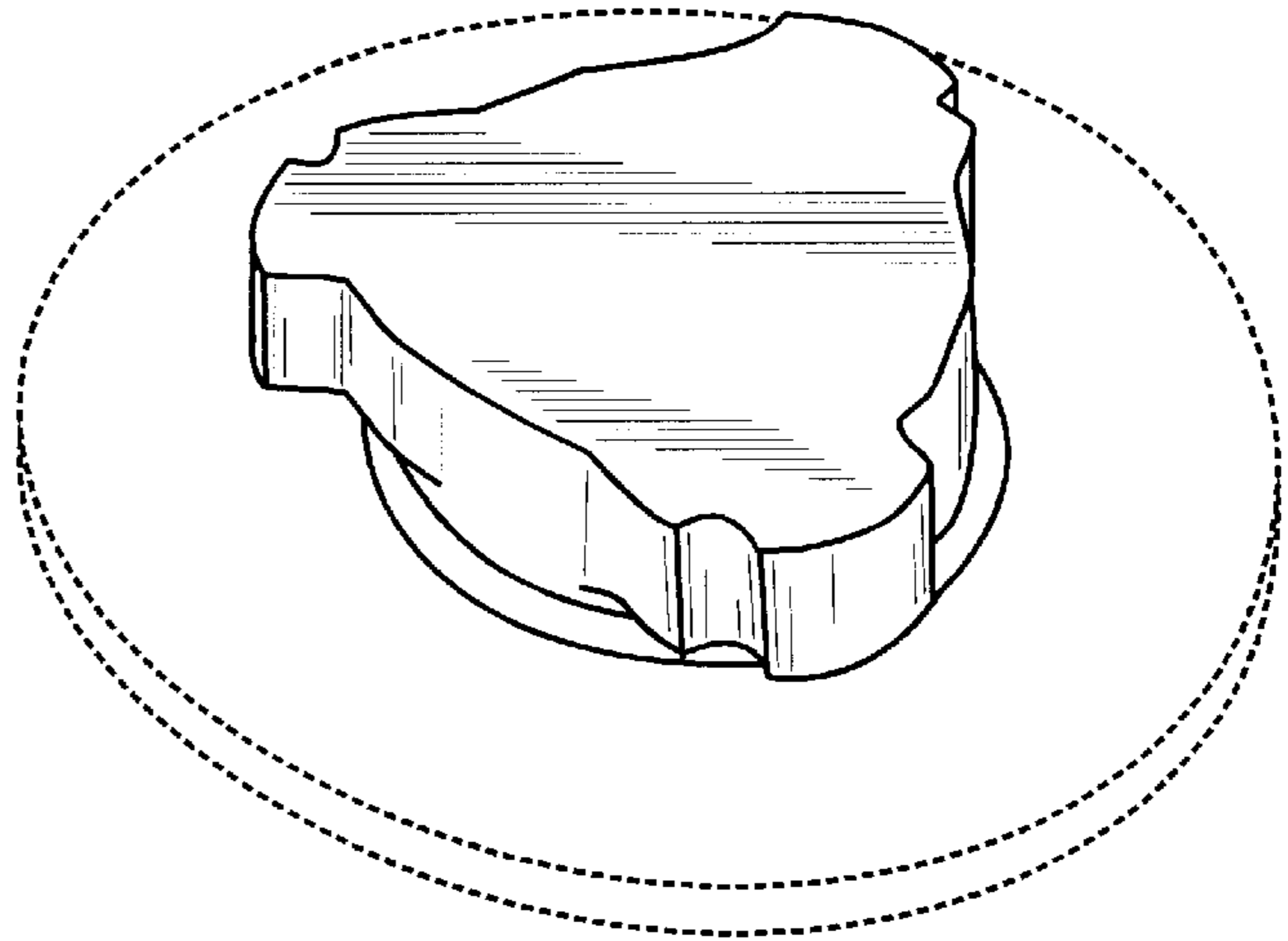


FIG. 1

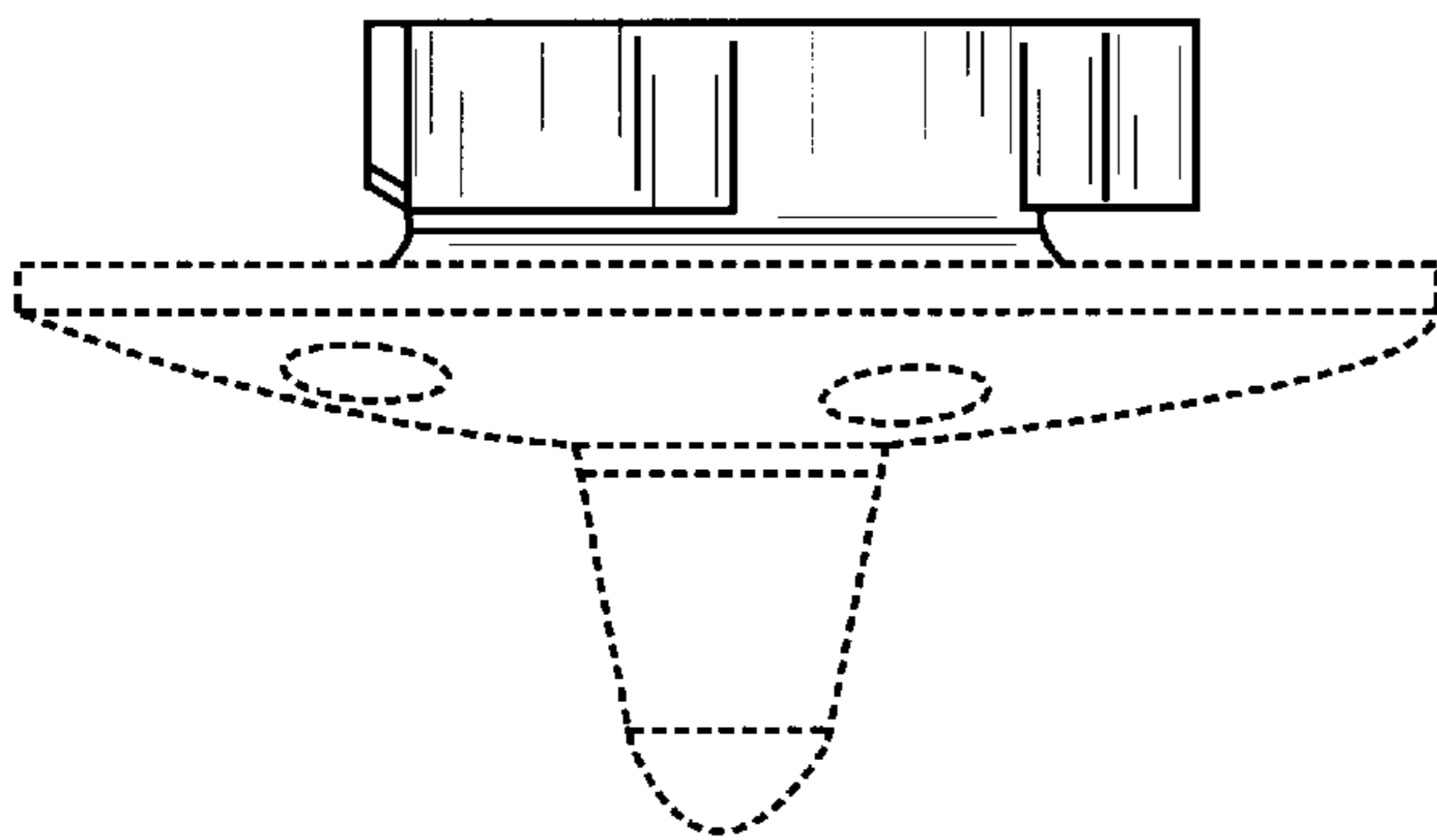


FIG. 2

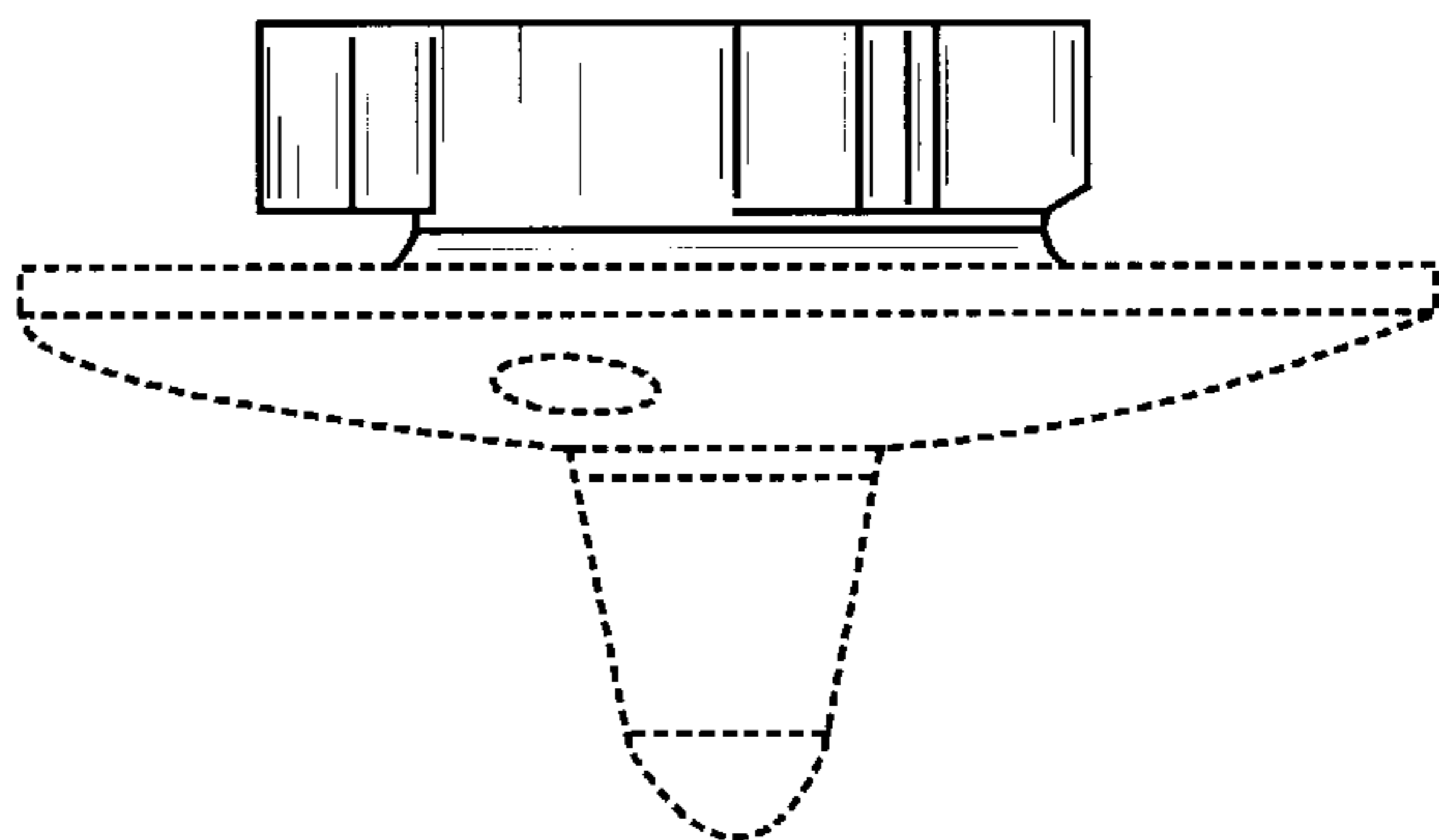


FIG. 3

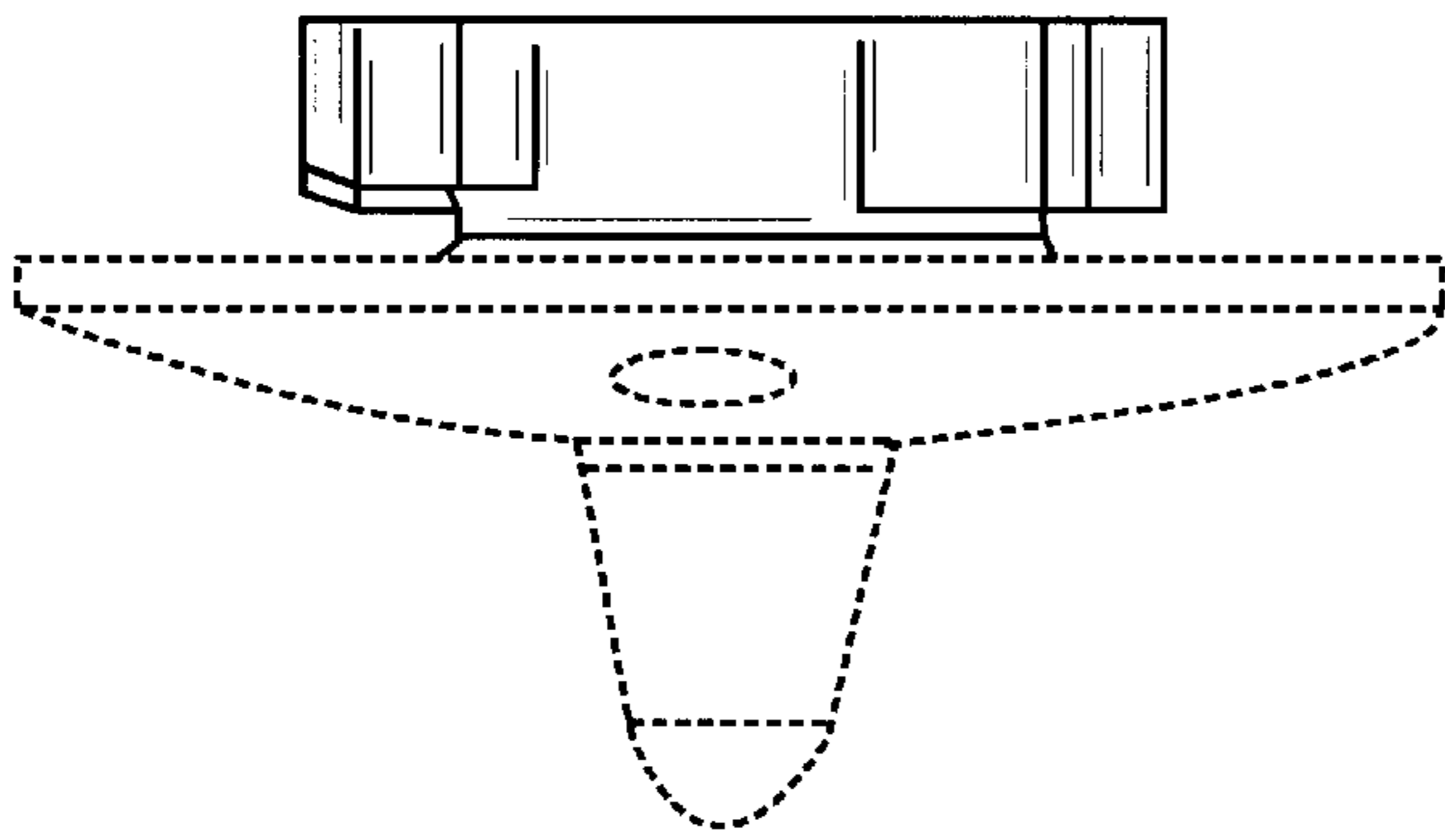


FIG. 4

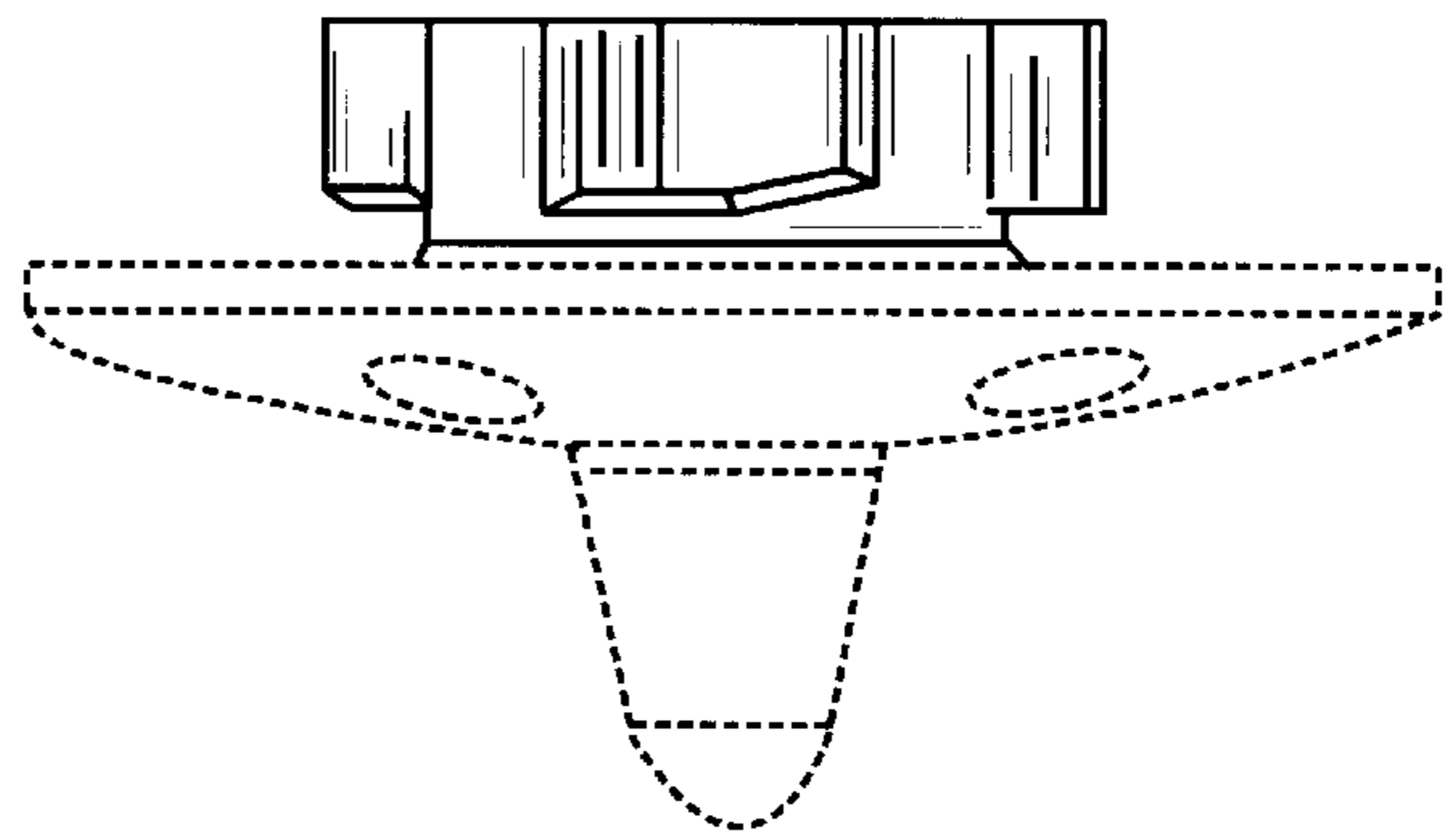


FIG. 5

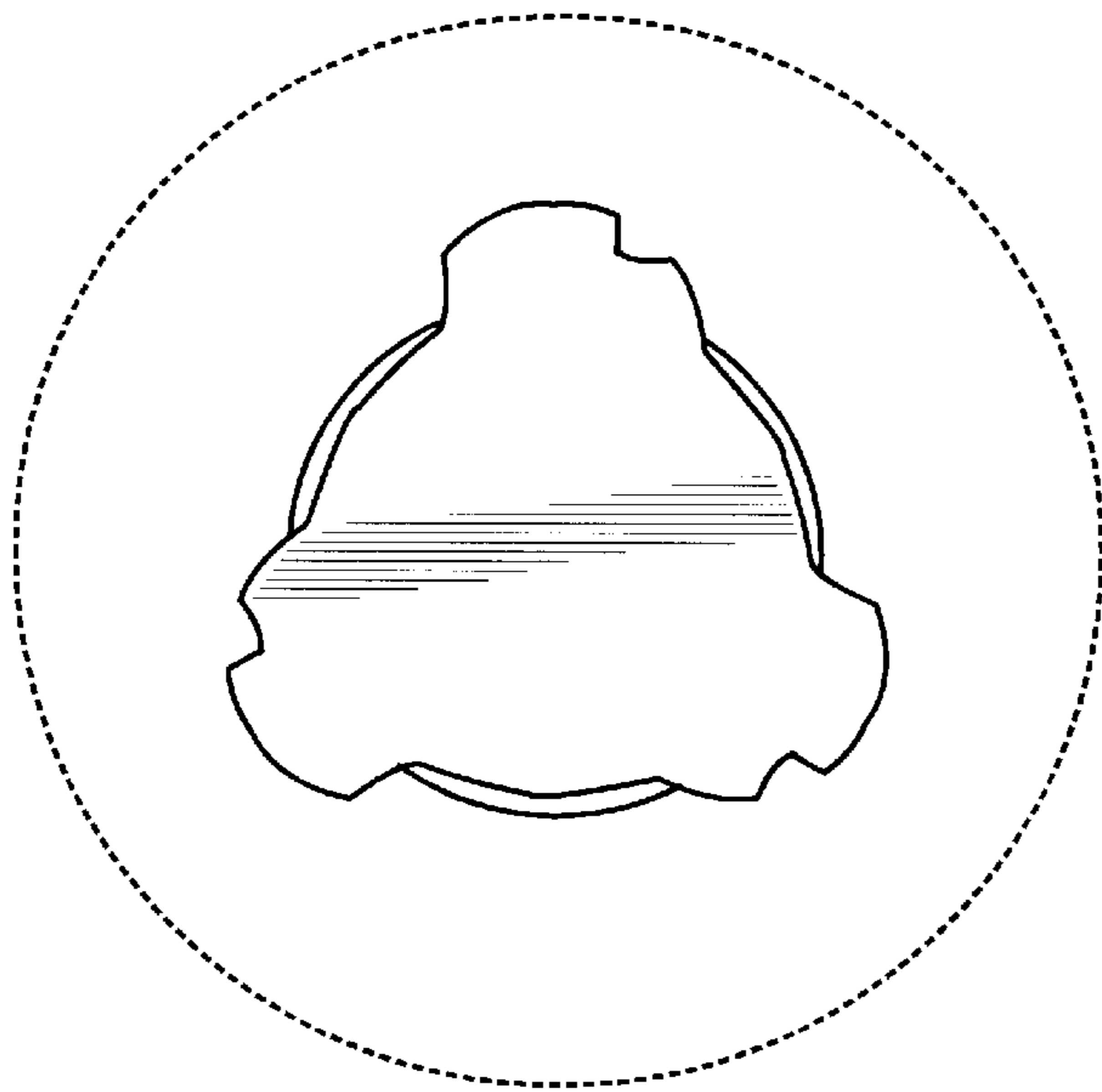


FIG. 6

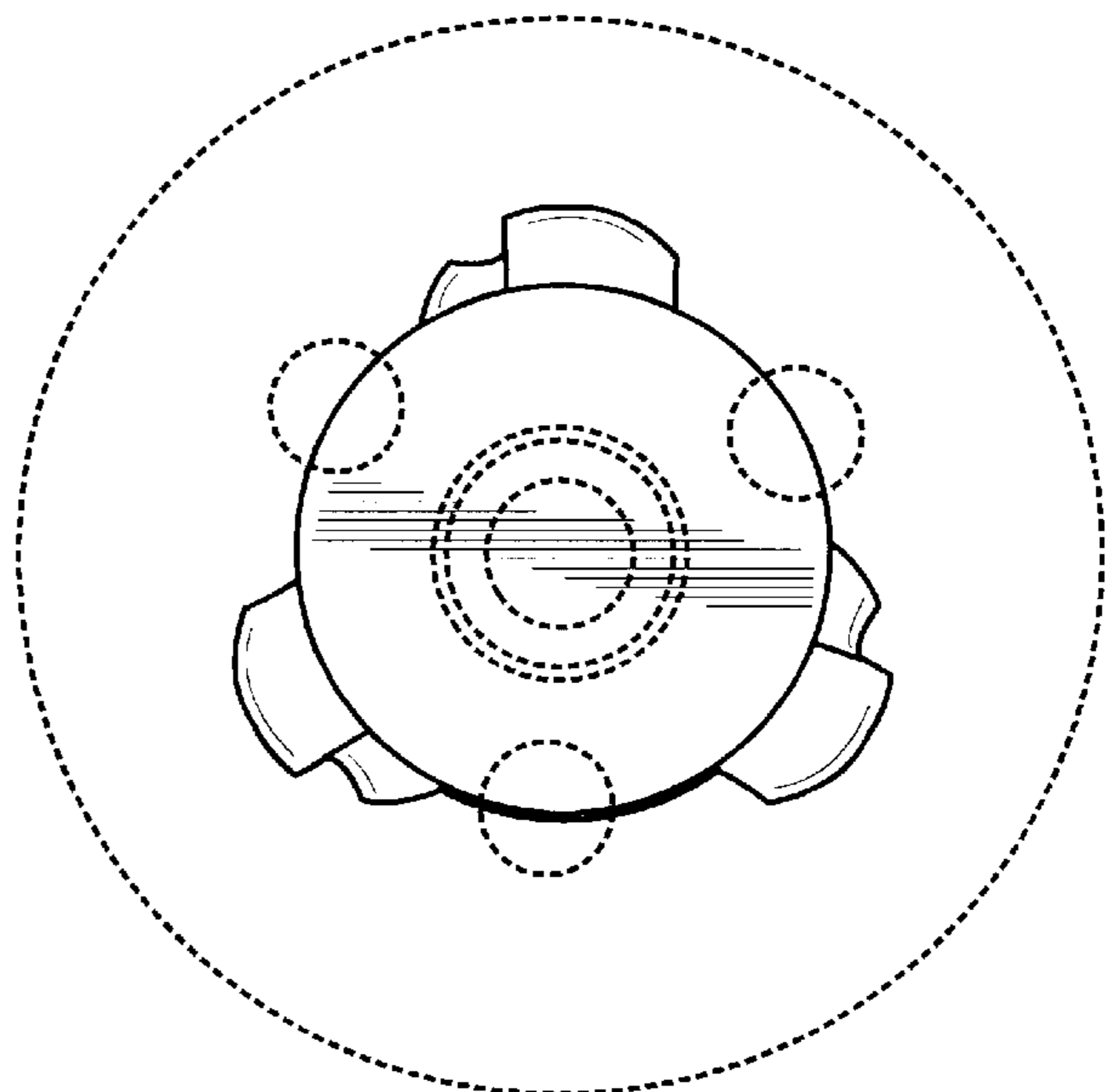


FIG. 7