



US00D410128S

United States Patent [19]

Dallas et al.

[11] Patent Number: Des. 410,128

[45] Date of Patent: ** May 18, 1999

[54] MECHANIC'S CHAIR

[75] Inventors: **W. Gordon Dallas**, Ashland; **Kirt E. Whiteside**, Marion; **Terry L. Whiteside**; **Robert E. Whiteside**, both of Delaware, all of Ohio

[73] Assignee: **Whiteside Mfg. Co.**, Delaware, Ohio

[**] Term: **14 Years**

[21] Appl. No.: **29/090,204**

[22] Filed: **Jul. 2, 1998**

[51] LOC (6) Cl. **12-02**

[52] U.S. Cl. **D34/23**

[58] Field of Search D34/12-27; 280/32.5, 280/32.6, 79.11, 79.3; D6/510, 446

[56] **References Cited**

U.S. PATENT DOCUMENTS

D. 399,626 10/1998 Taylor D34/23
3,976,155 8/1976 Esch 280/32.5

OTHER PUBLICATIONS

“Vehicle Ramps, Wheel Chocks, Creeper & Creeper Set”
Omega Lift Equipment advertisement, 1 page, (undated).
R.E.L. Products, Inc. advertisement, 3 pages, (undated).

Whiteside Catalog 93, 2 pages, (1993).

Whiteside Catalog 97, 4 pages, (1997).

Primary Examiner—Kay H. Chin
Attorney, Agent, or Firm—Renner, Kenner, Greive, Bobak,
Taylor & Weber

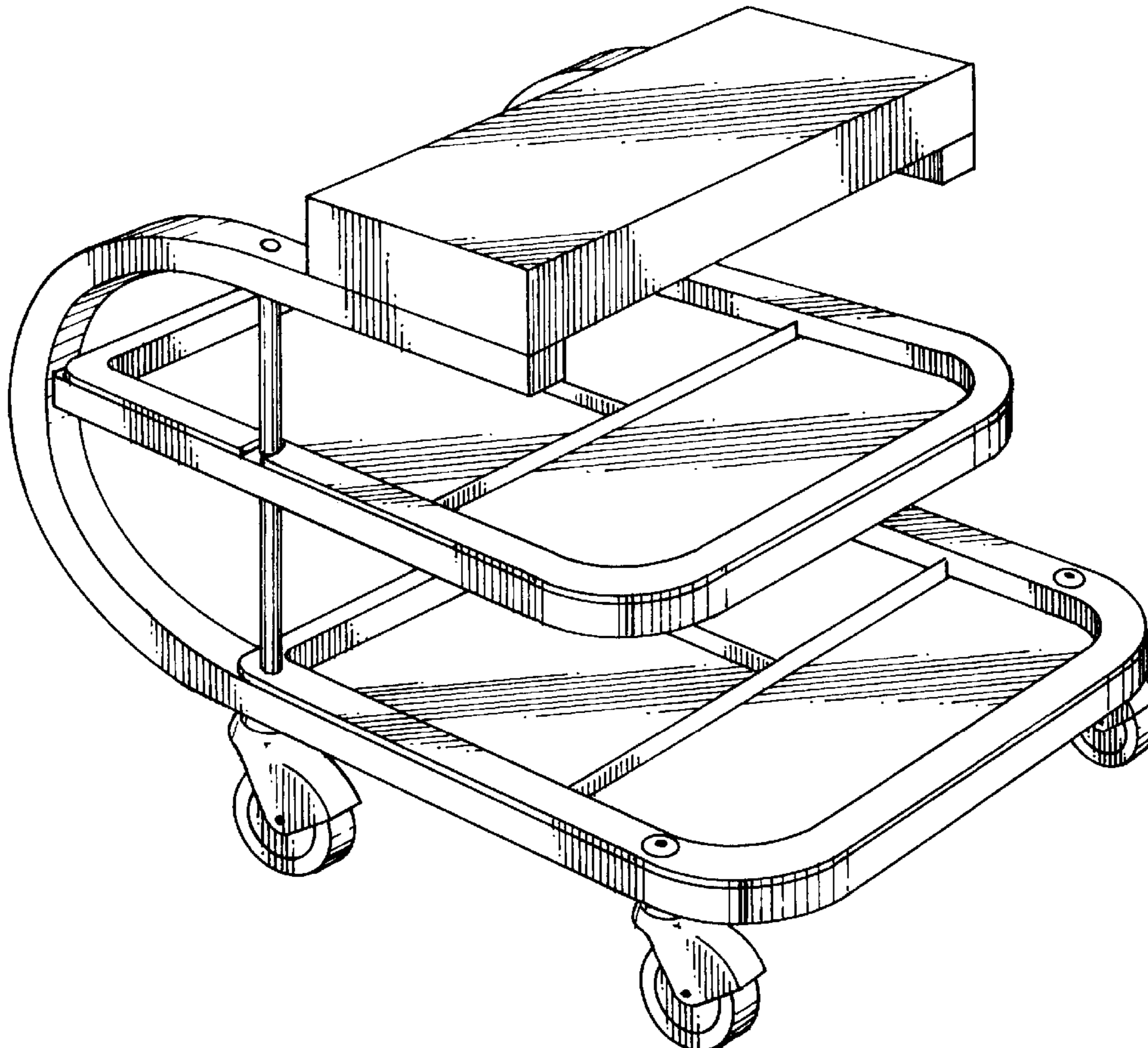
[57] **CLAIM**

The ornamental design for a mechanics's chair, as shown and described.

DESCRIPTION

FIG. 1 is a front, top, left side perspective view of a mechanic's chair showing our new design;
FIG. 2 is a front, top, right side perspective view thereof;
FIG. 3 is a front elevational view thereof;
FIG. 4 is a rear elevational view thereof;
FIG. 5 is a right side elevational view thereof;
FIG. 6 is a left side elevational view thereof;
FIG. 7 is a top plan view thereof; and,
FIG. 8 is a bottom plan view thereof.

1 Claim, 5 Drawing Sheets



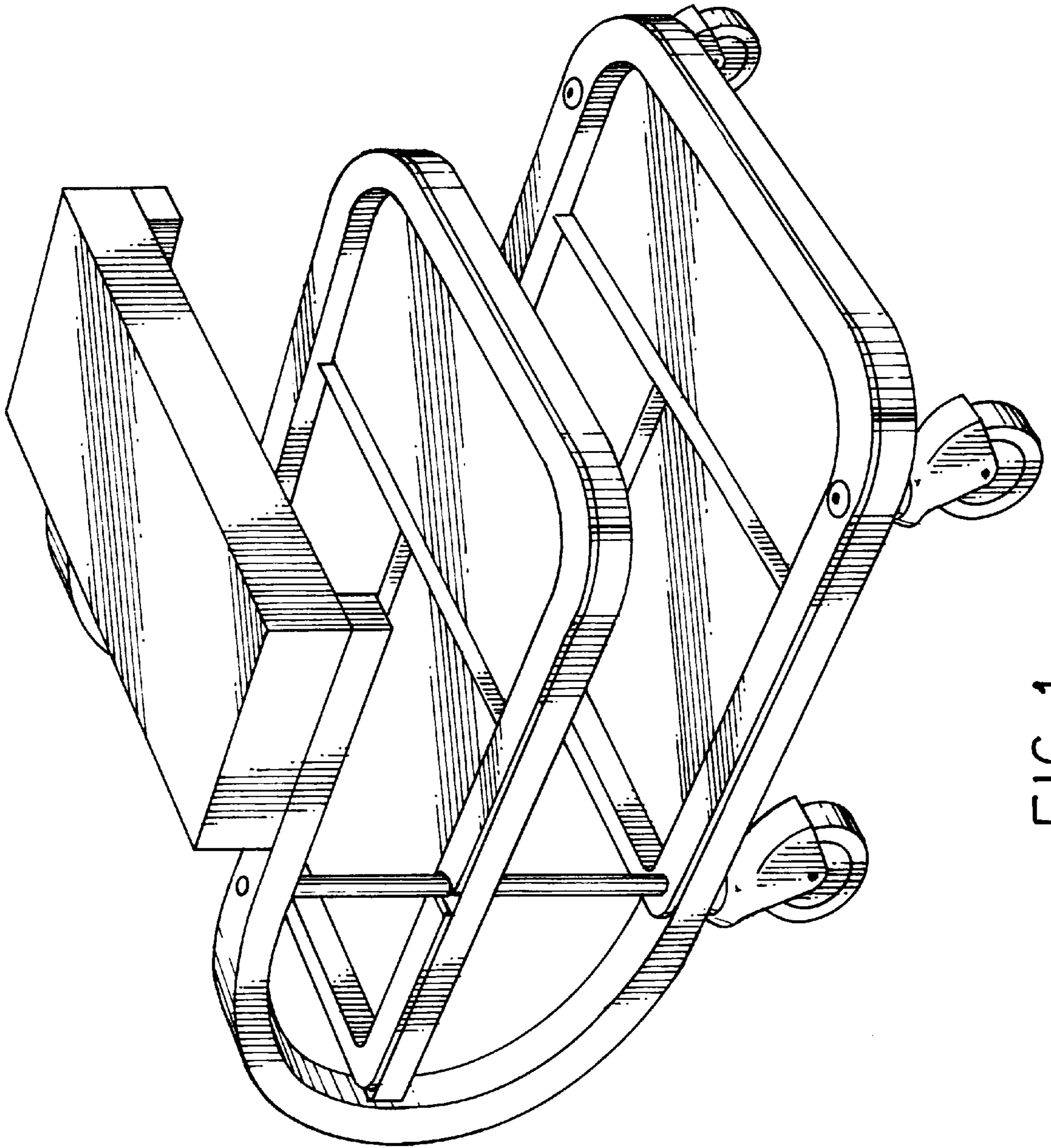


FIG. 1

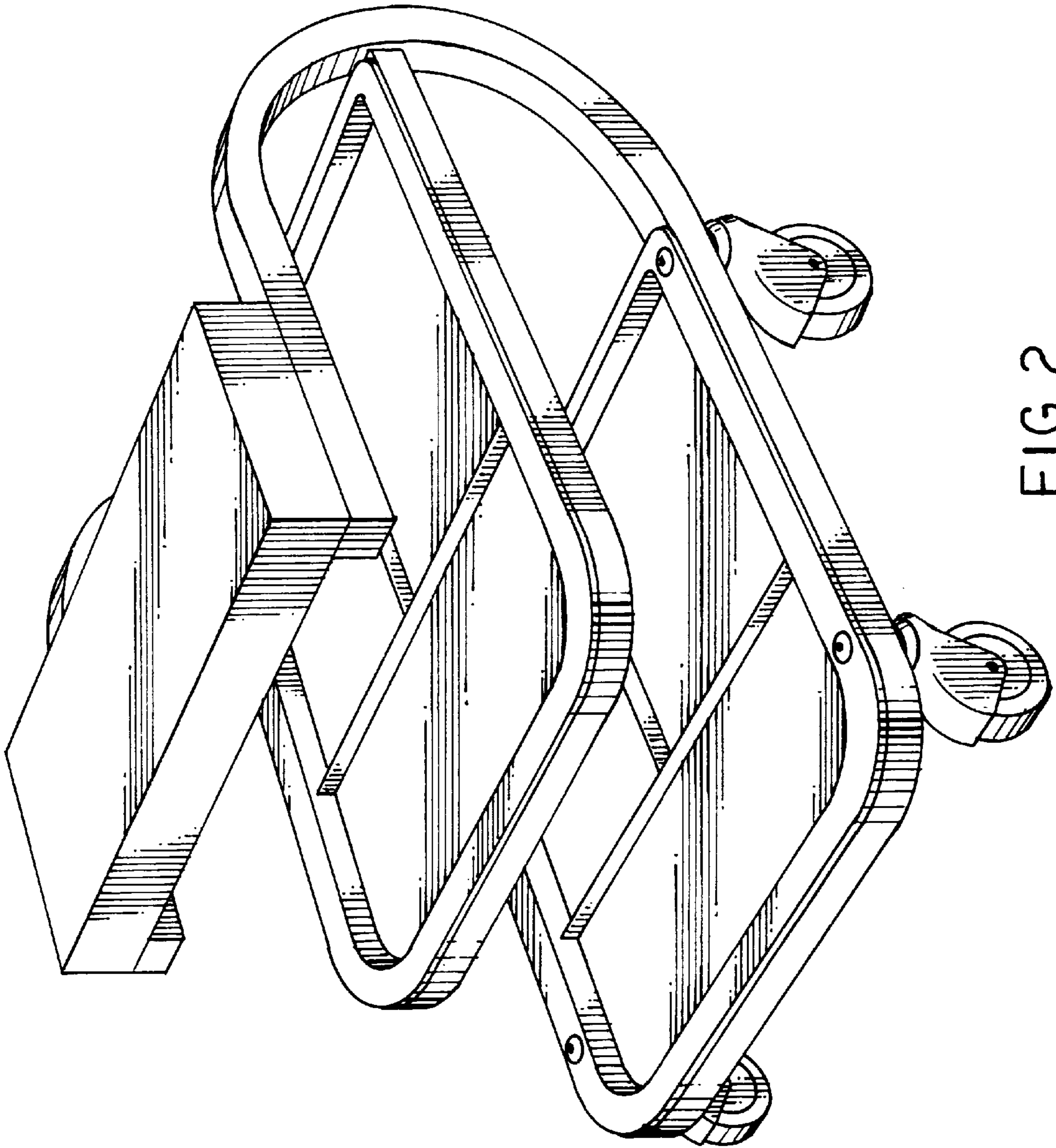


FIG. 2

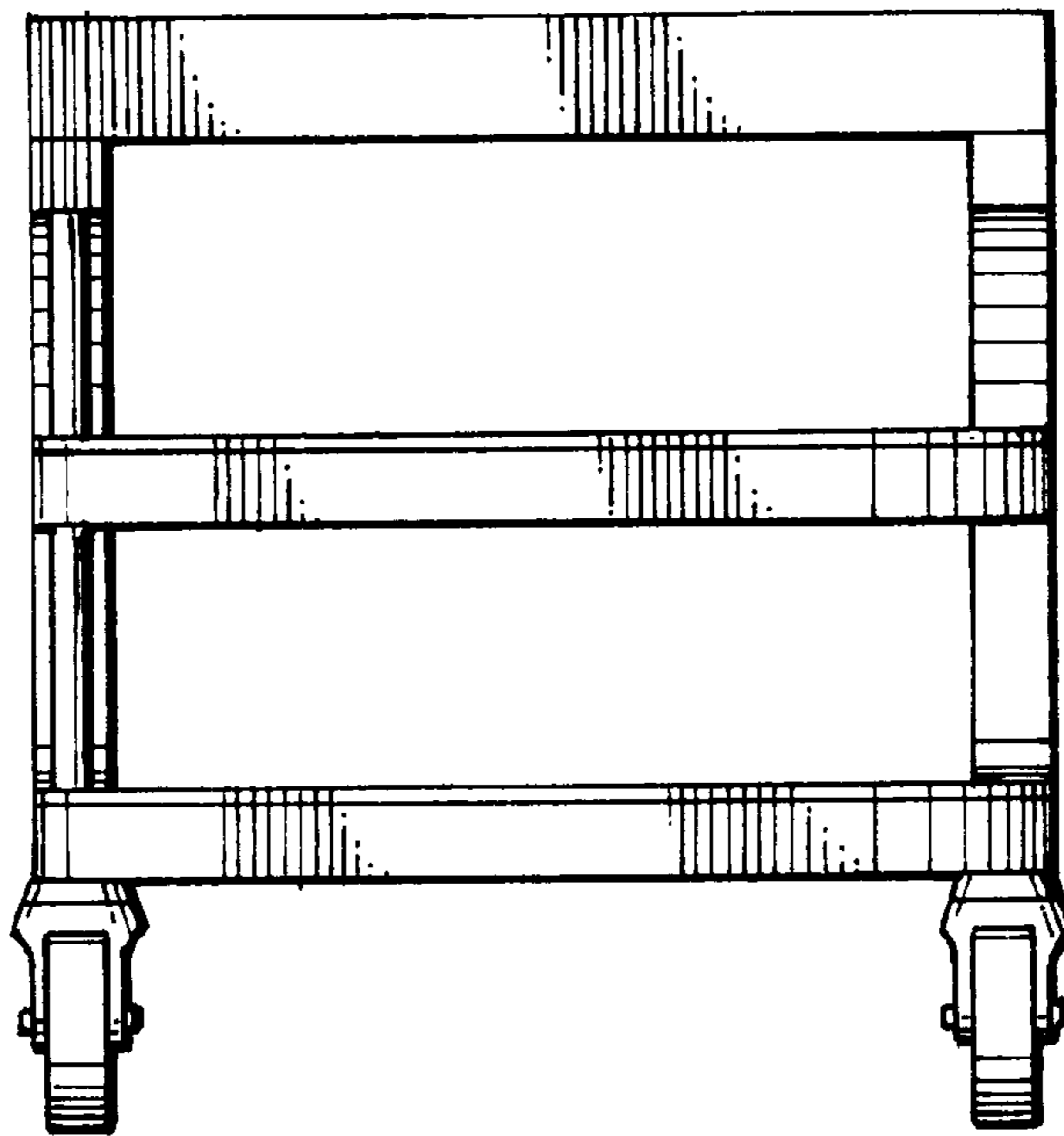


FIG. 3

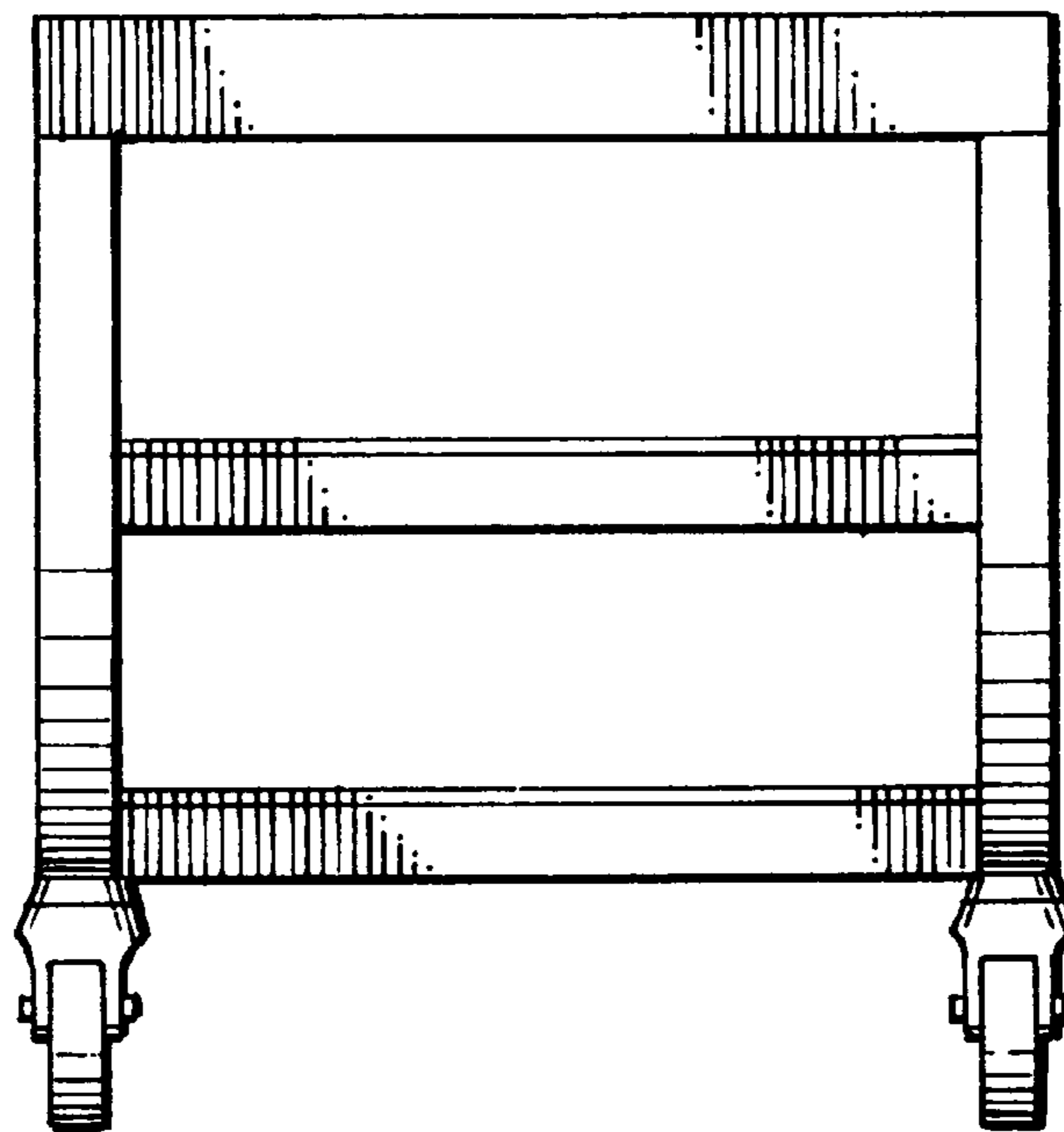


FIG. 4

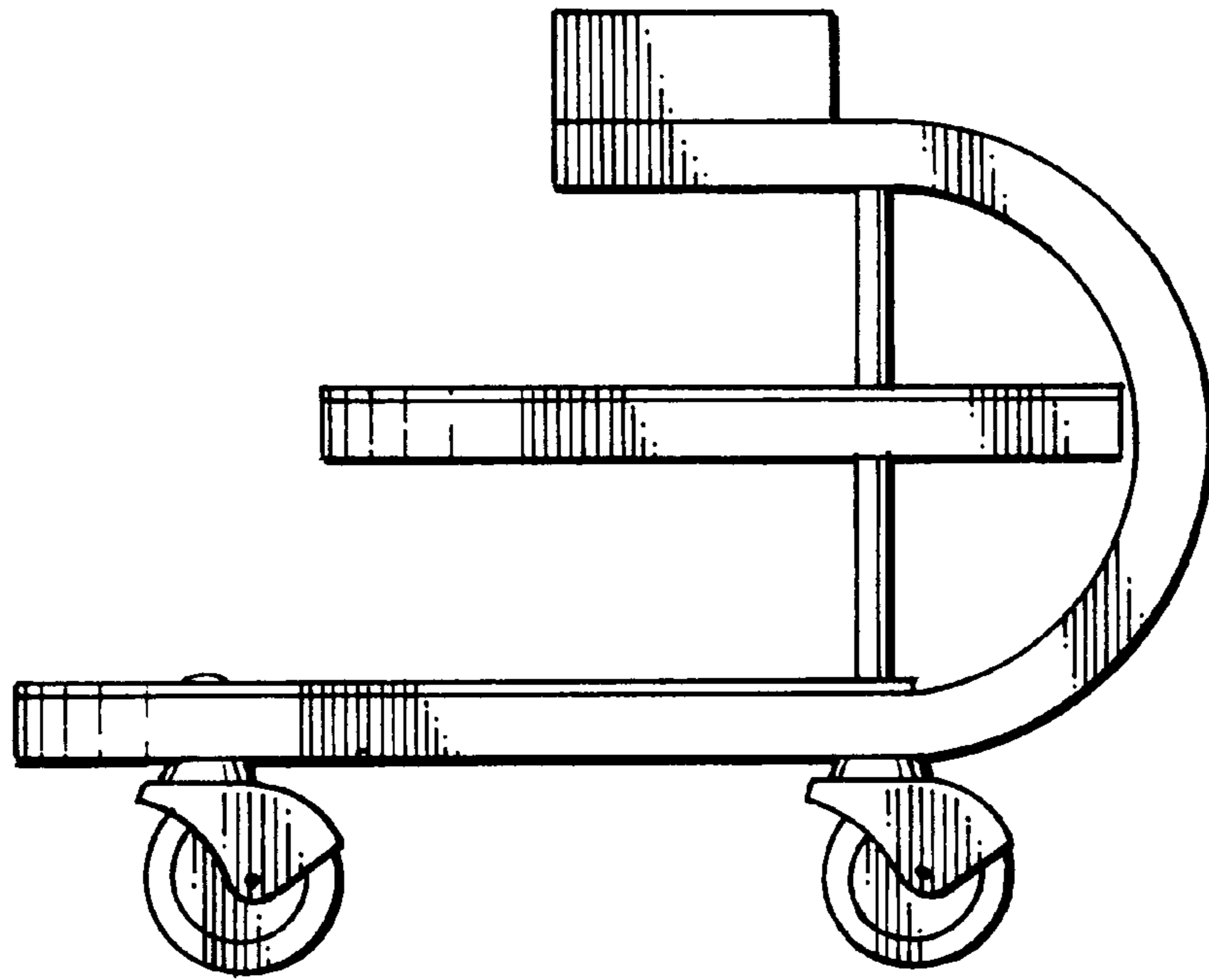


FIG. 5

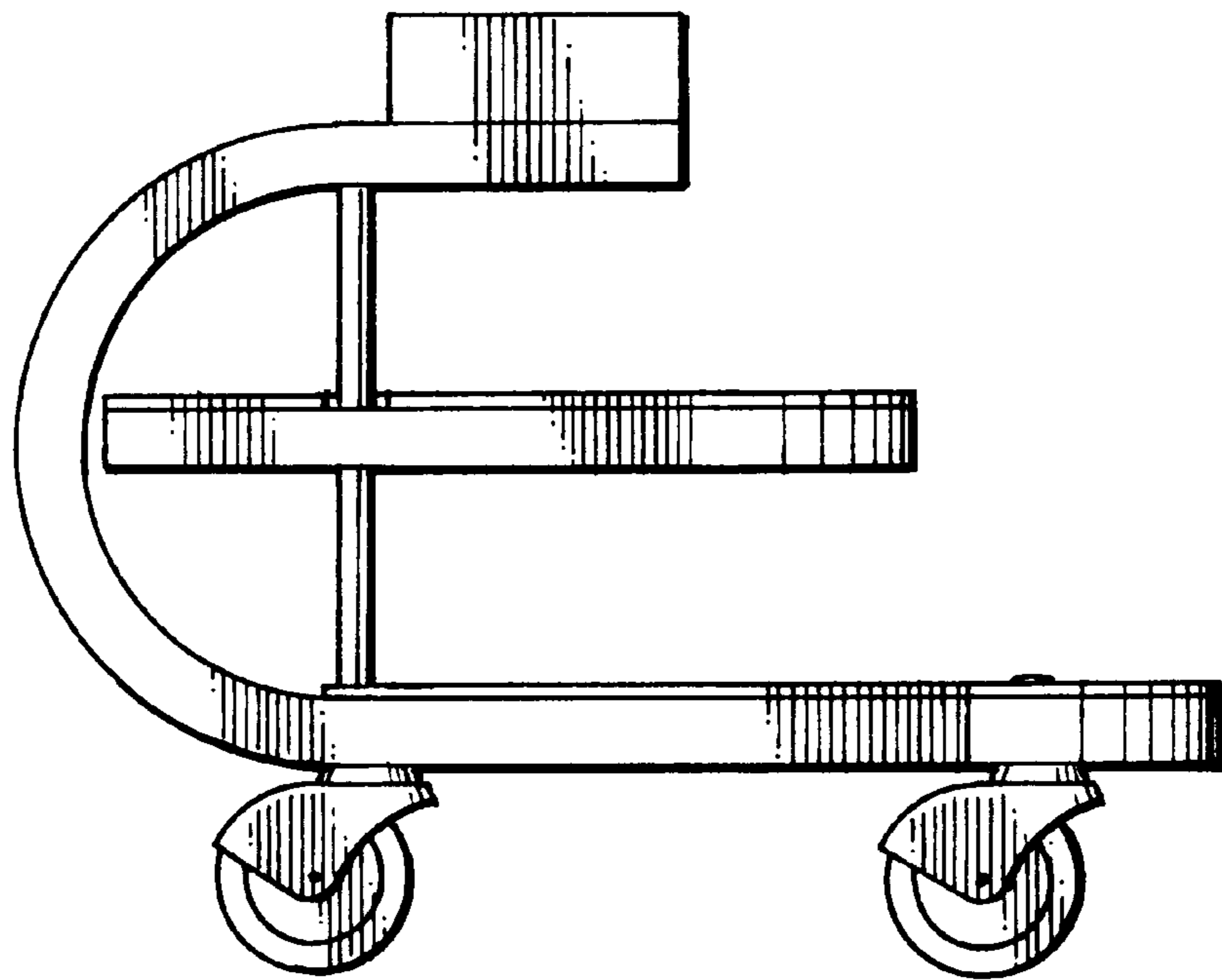


FIG. 6

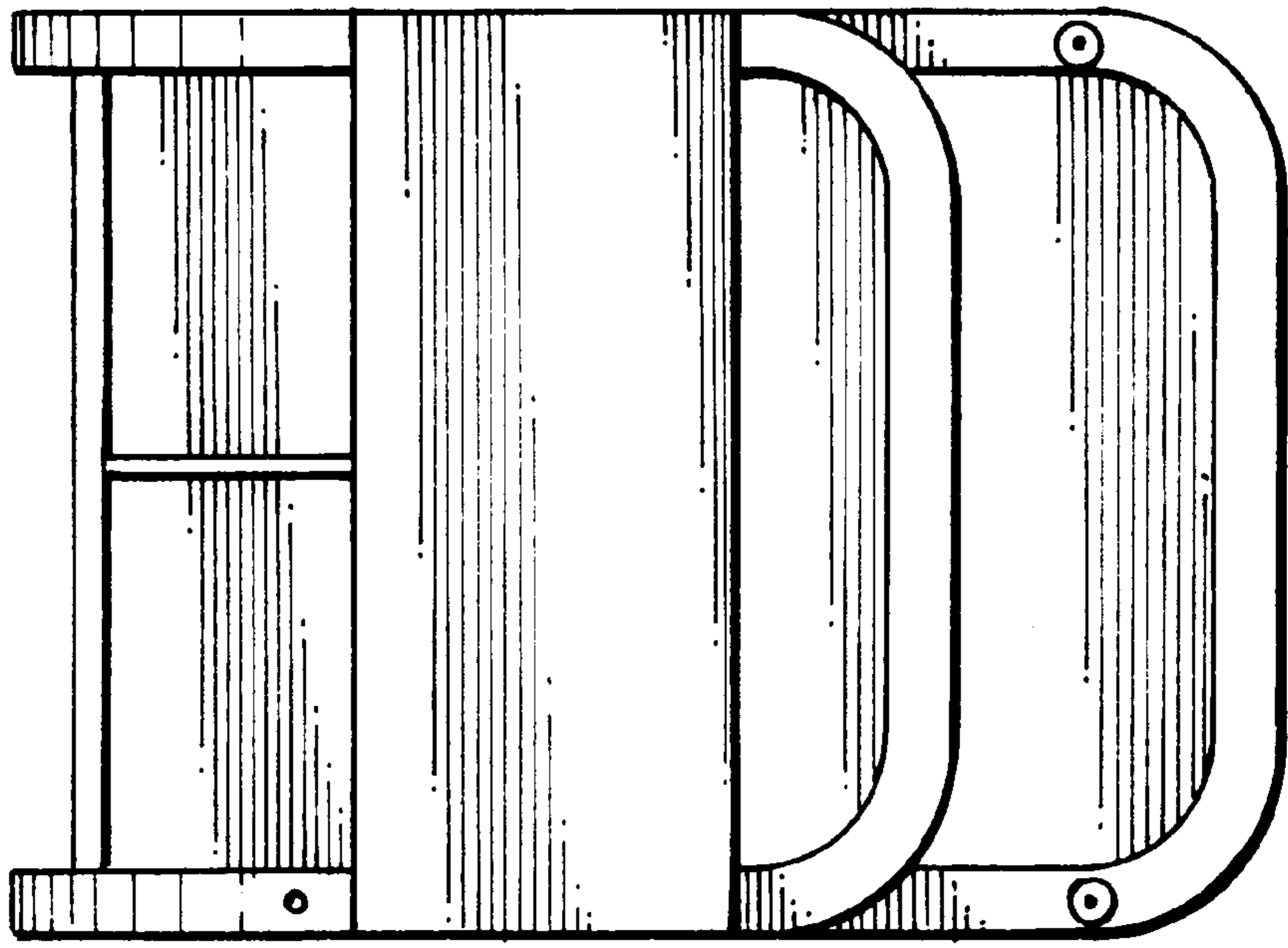


FIG. 7

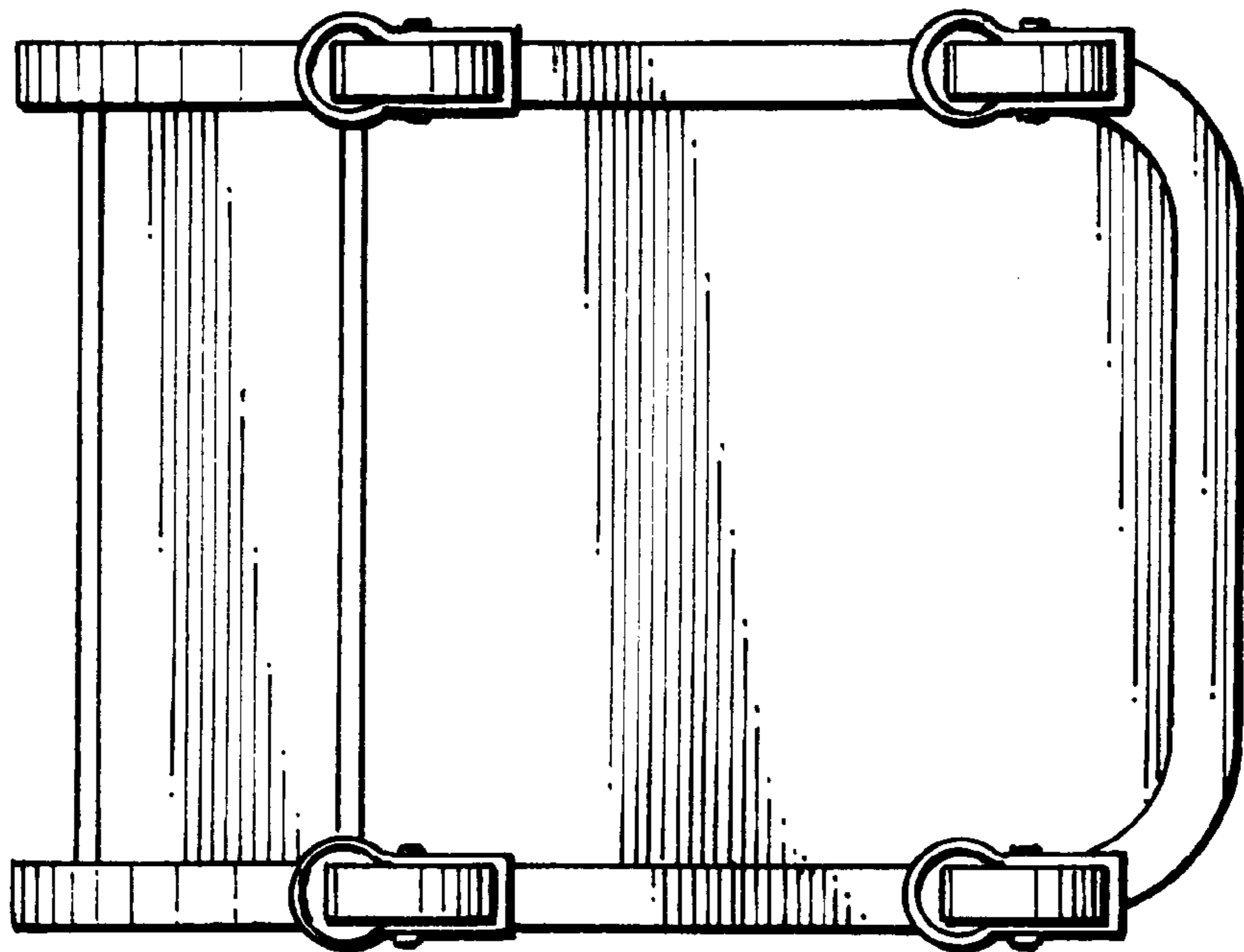


FIG. 8