



US00D410120S

# United States Patent [19]

[11] Patent Number: **Des. 410,120**

Norman et al.

[45] Date of Patent: **\*\* May 18, 1999**

[54] **COMBINED SOCK STORAGE AND WASHING BAG**

D. 363,370 10/1995 Hamdan ..... D32/36  
5,238,305 8/1993 Feller ..... 383/22

[76] Inventors: **Beatrice G. Norman; Arthur W. Norman**, both of 1912 Summer Rain Dr., Cedar Park, Tex. 78613

*Primary Examiner*—Alan P. Douglas  
*Assistant Examiner*—Robin V. Taylor

[\*\*] Term: **14 Years**

[57] **CLAIM**

The ornamental design for a combined sock storage and washing bag, as shown and described.

[21] Appl. No.: **29/079,975**

### DESCRIPTION

[22] Filed: **Nov. 6, 1997**

[51] **LOC (6) Cl.** ..... **08-99**

[52] **U.S. Cl.** ..... **D32/36; D3/278**

[58] **Field of Search** ..... D32/36; D3/278,  
D3/902; 383/71-75, 13, 22, 23

FIG. 1 is an exploded front elevational view of the combined sock storage and washing bag showing our new design; FIG. 2 is an exploded rear elevational view thereof; FIG. 3 is an exploded right side view thereof; FIG. 4 is an exploded left side view thereof; FIG. 5 is an exploded top plan view thereof; and, FIG. 6 is an exploded bottom plan view thereof.

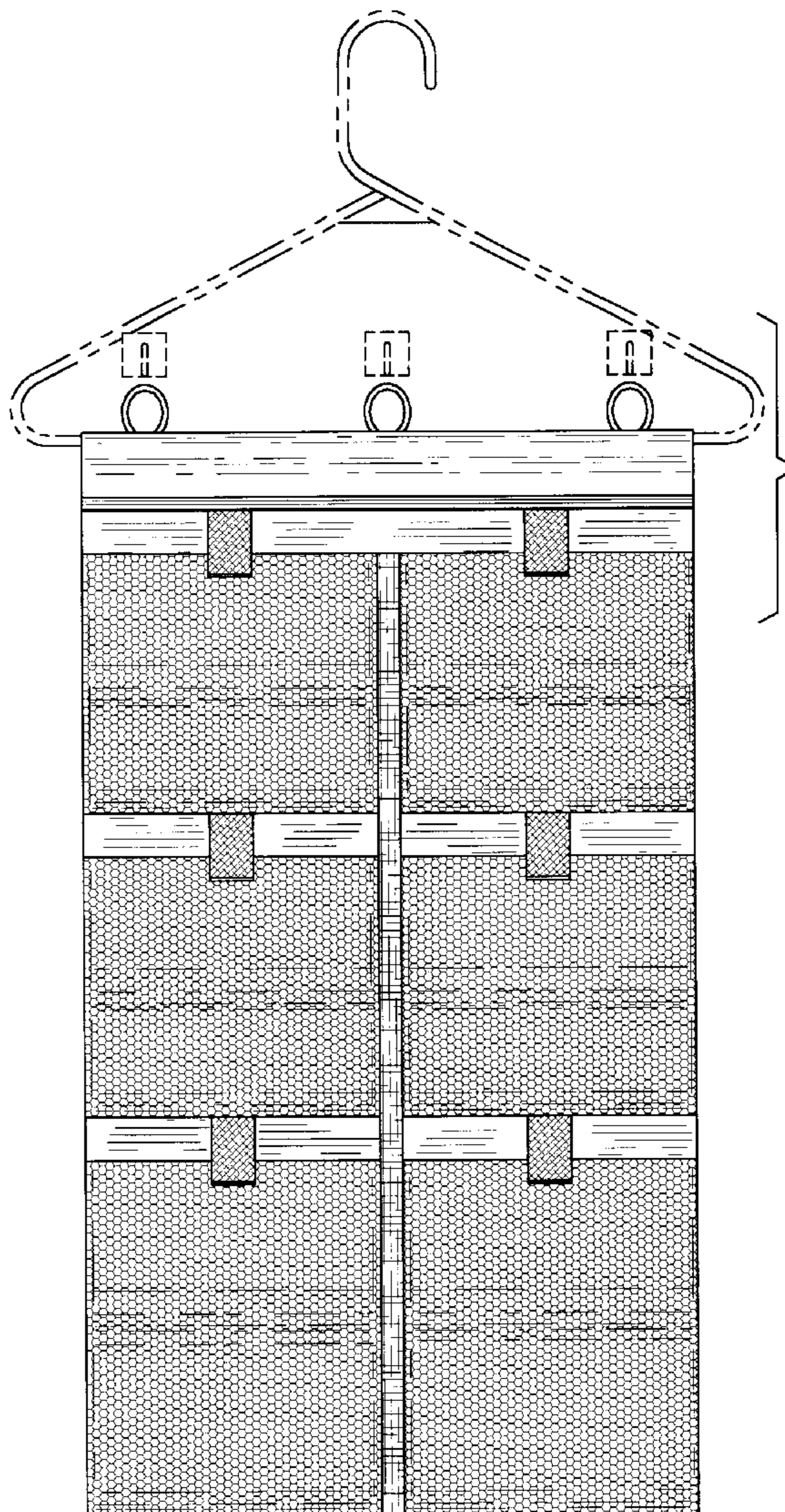
The broken line showing of a hanger and hooks is for illustrative purposes only and forms no part of the claimed design.

### [56] References Cited

#### U.S. PATENT DOCUMENTS

D. 294,757 3/1988 Kahane et al. .... D32/36  
D. 321,790 11/1991 Martorella ..... D3/278  
D. 348,754 7/1994 Feller ..... D32/36

**1 Claim, 3 Drawing Sheets**



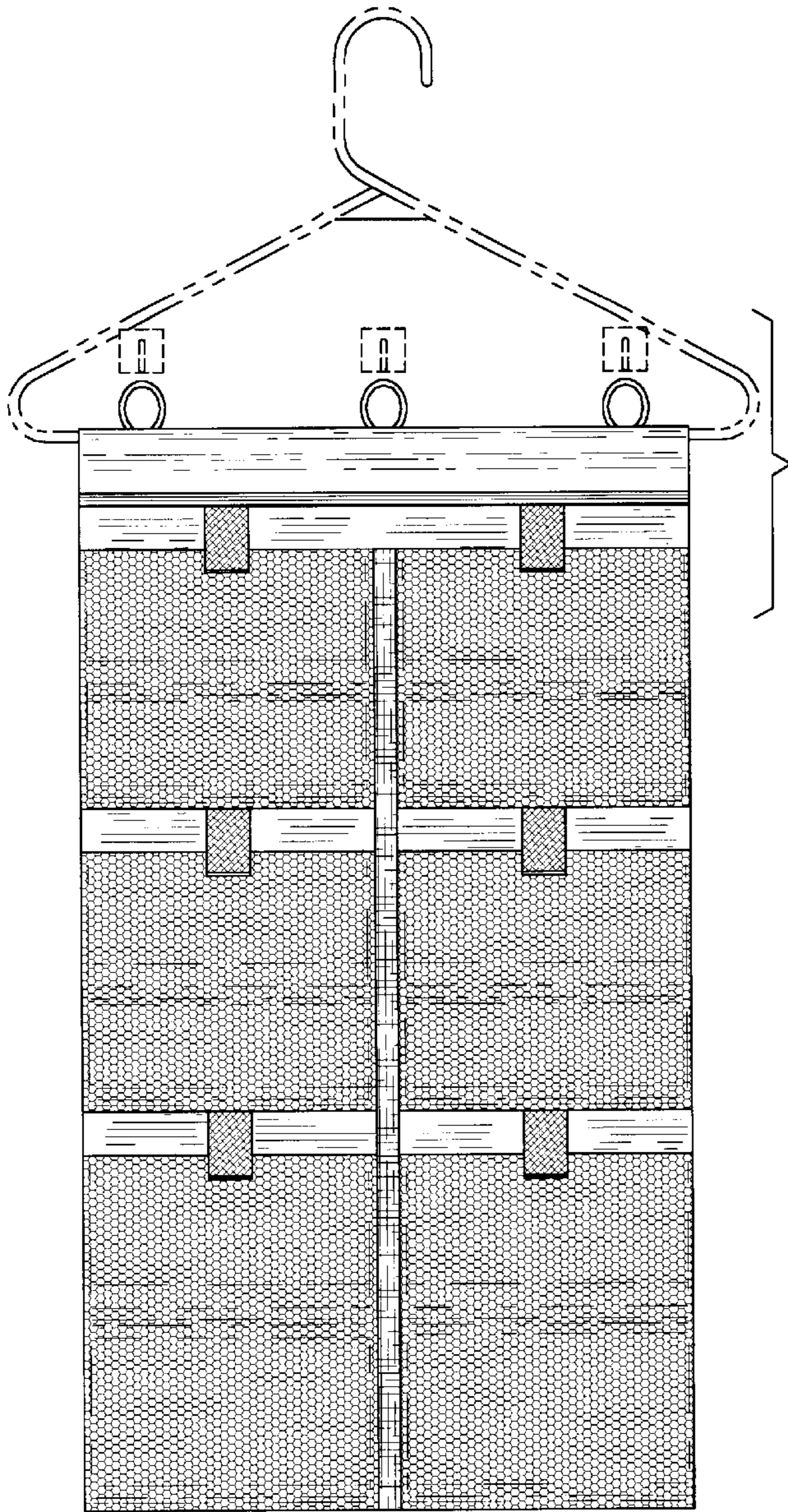


Fig. 1

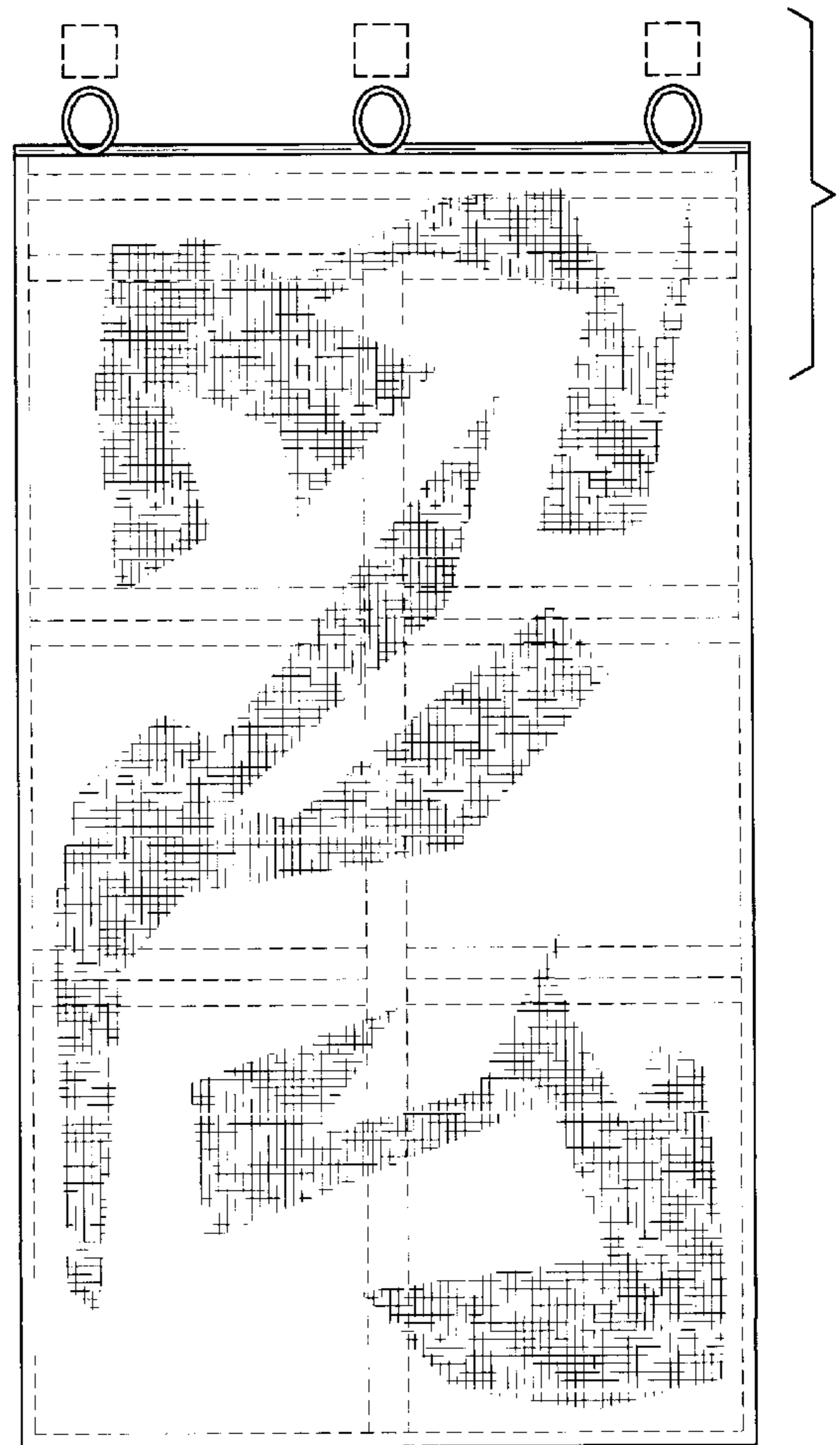
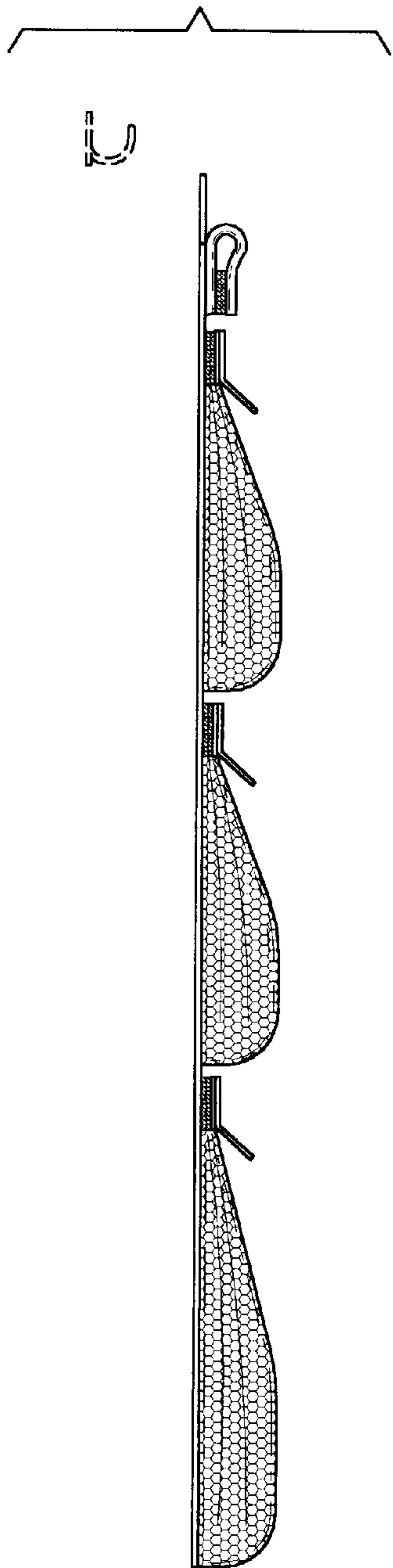
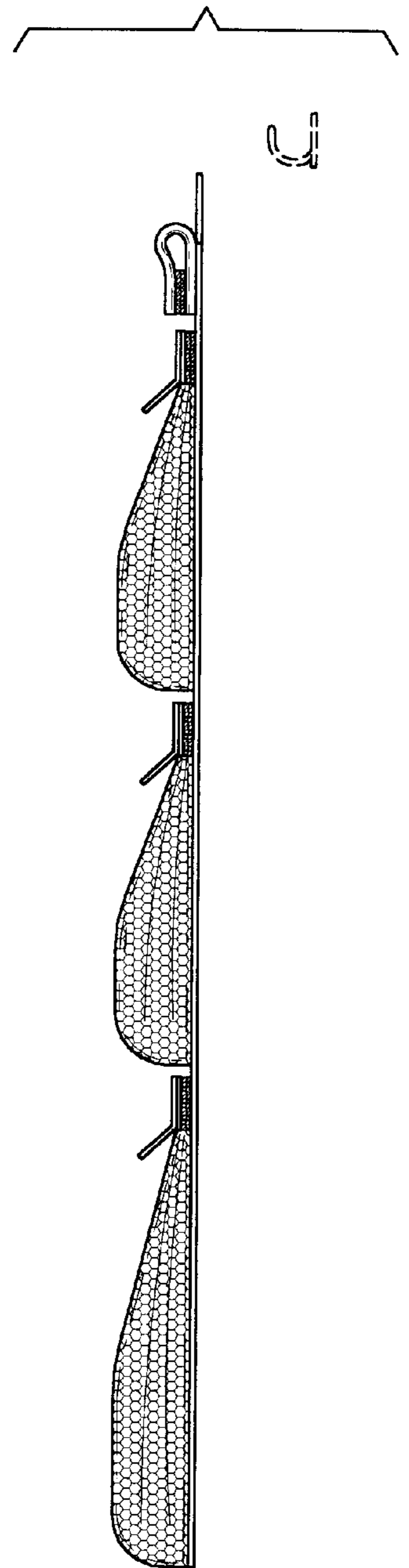


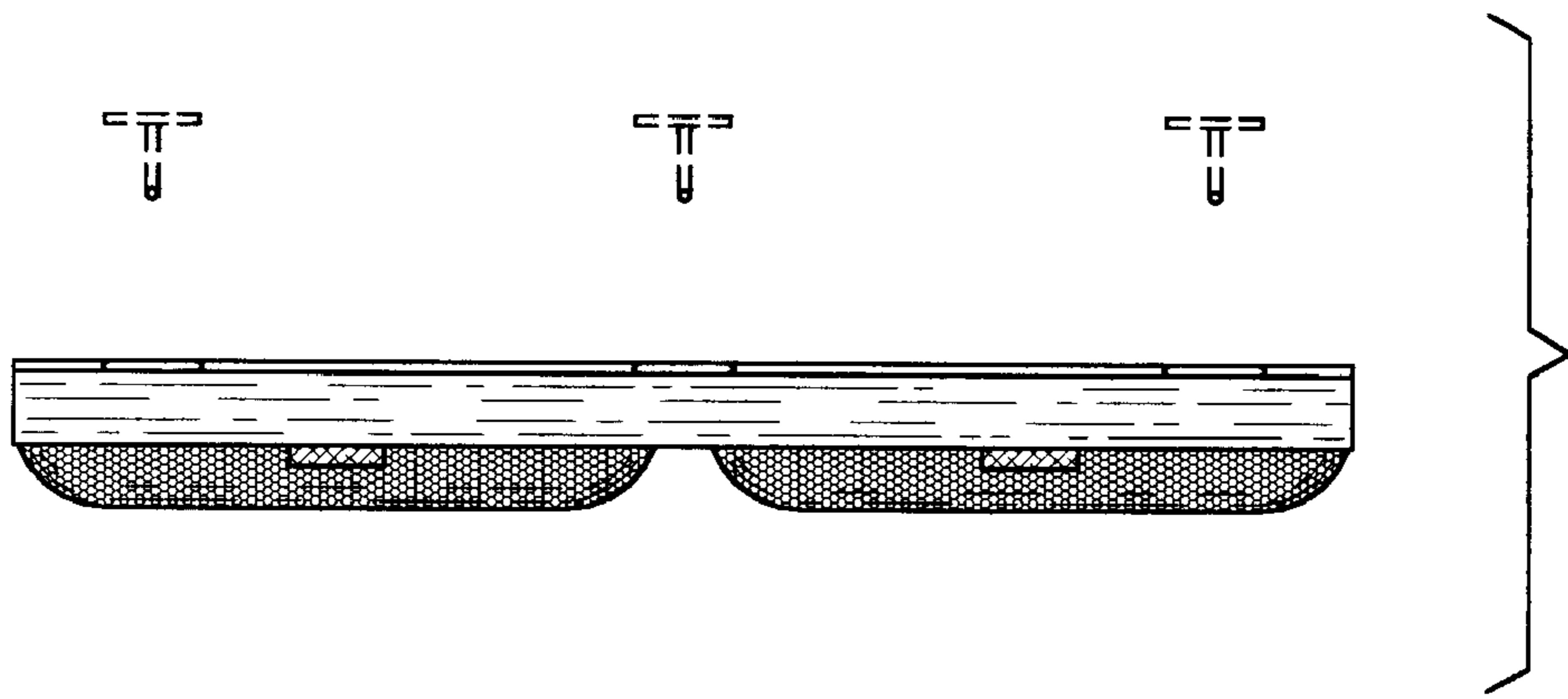
Fig. 2



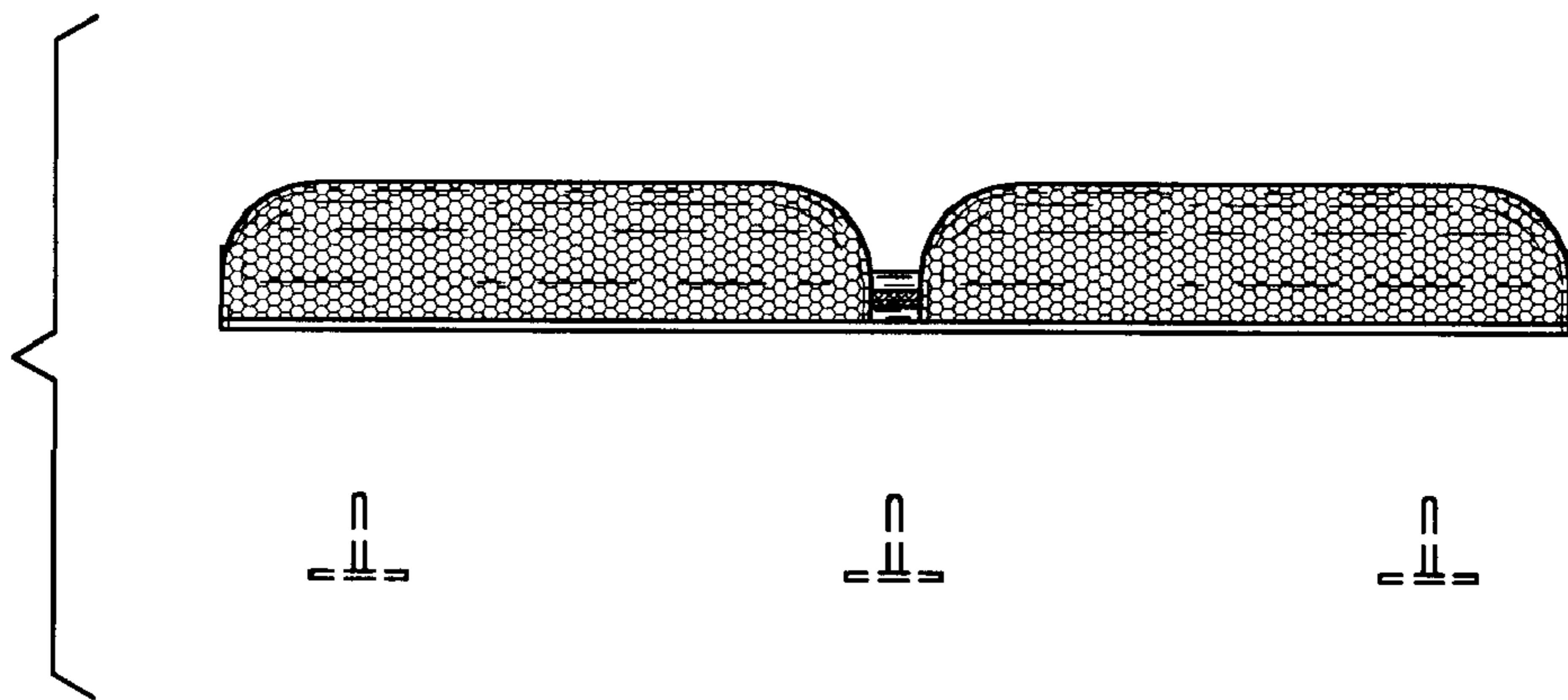
*Fig. 3*



*Fig. 4*



*Fig. 5*



*Fig. 6*