



US00D410118S

# United States Patent [19]

[11] Patent Number: **Des. 410,118**

**Bartlett**

[45] Date of Patent: **\*\* May 18, 1999**

## [54] EQUESTRIAN DRESSAGE ARENA FENCE MODULE

## OTHER PUBLICATIONS

[76] Inventor: **Michelle Bartlett**, 16979 9th Line, R.R. #3, Mount Albert, Ontario, Canada, LOG 1M0

“A Supplemental Guide For Bloks’ Equestrian Products”, Bloks USA, Orinda, CA, 1996 Product Catalog, all pages.  
“JUMPVC The World Standard In Jumps”, Jump PVC, Inc. Jackson, MO, 1996 Product Catalog, p. 19.  
Silk Tree Manufacturing Co., 1996 Catalog, pp. 2, 4–6, 8 and 10.  
Life Time Fence, Sacramento, CA, 1996 Advertisement.  
Jumps–R–Us, 1996 Catalog, p. 15 and one other.

[\*\*] Term: **14 Years**

[21] Appl. No.: **29/068,665**

*Primary Examiner*—Cathy Anne MacCormac  
*Attorney, Agent, or Firm*—Lynn S. Cassan

[22] Filed: **Mar. 28, 1997**

## [30] Foreign Application Priority Data

Feb. 14, 1997 [CA] Canada ..... 1997-0352

[51] **LOC (6) Cl.** ..... **30-99**

[52] **U.S. Cl.** ..... **D30/199; D25/67**

[58] **Field of Search** ..... D30/199; D21/698;  
D25/67, 38, 58; 54/71; 119/705; 182/181.1,  
224; 256/64

## [57] CLAIM

The ornamental design for an equestrian dressage arena fence module, as shown and described.

## [56] References Cited

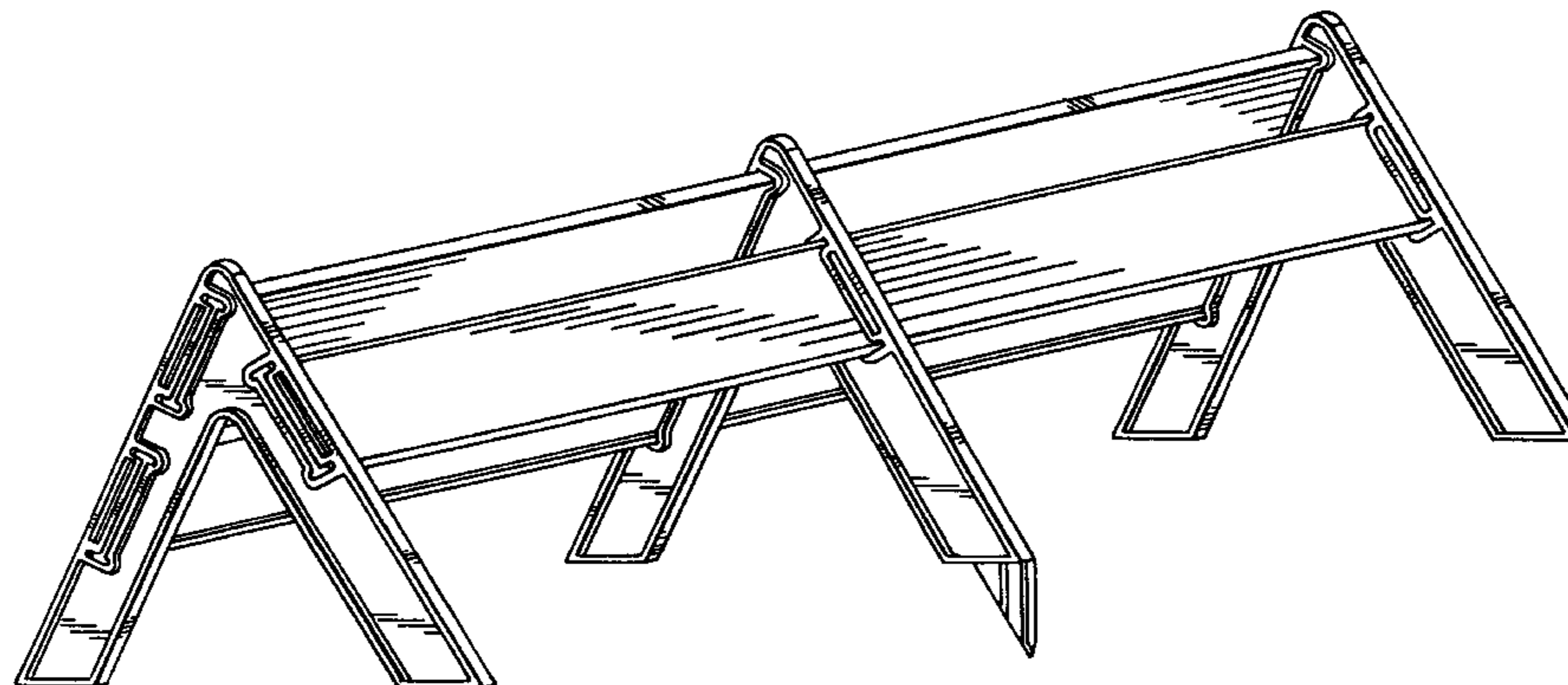
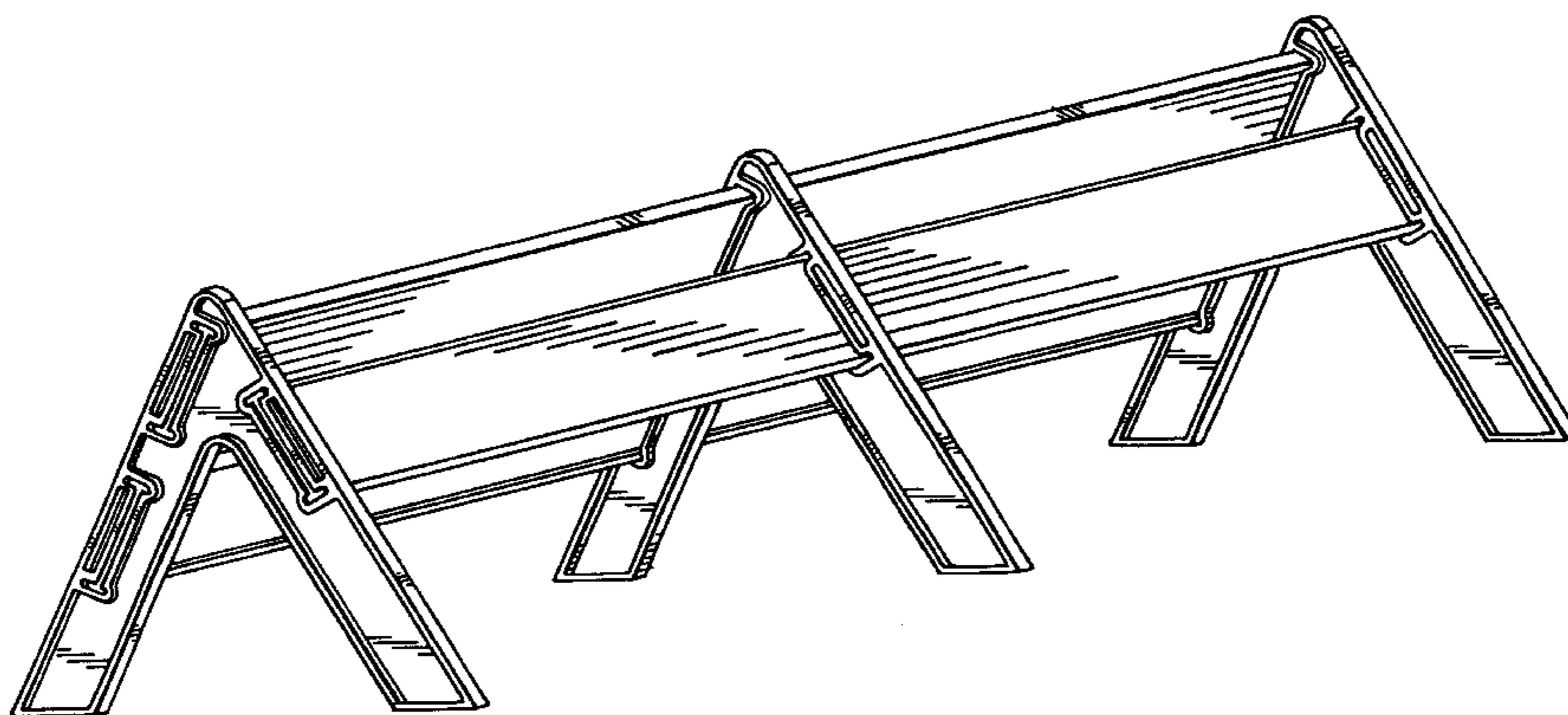
### U.S. PATENT DOCUMENTS

63,801	4/1867	Lefebvre	.....	256/64
67,332	7/1867	Middleton	.....	256/64
95,982	10/1869	Burch	.....	256/64
D. 245,105	7/1977	Rader	.....	182/181.1
D. 375,171	10/1996	Moffitt et al.	.....	D25/67
1,476,855	12/1923	Topp	.....	182/181.1
1,838,151	12/1931	Penote	.....	182/181.1
4,298,186	11/1981	Glass	.....	256/64
4,827,873	5/1989	Wong	.....	119/705
4,943,035	7/1990	Thomson et al.	.....	256/64
4,946,139	8/1990	Tomellini	.....	256/64
5,794,923	8/1998	Bartlett	.....	256/64

## DESCRIPTION

FIG. 1 is a rear perspective view of a equestrian dressage arena fence module showing my new design;  
FIG. 2 is a front perspective view thereof;  
FIG. 3 is a rear elevational view thereof;  
FIG. 4 is a front elevational view thereof;  
FIG. 5 is a top plan view thereof;  
FIG. 6 is a side elevational view thereof;  
FIG. 7 is a rear perspective view of a second embodiment of FIG. 1;  
FIG. 8 is a front perspective view of FIG. 7;  
FIG. 9 is a rear elevational view of FIG. 7;  
FIG. 10 is a front elevational view of FIG. 7;  
FIG. 11 is a side elevational view of FIG. 7; and,  
FIG. 12 is a side elevational view of FIG. 7.

**1 Claim, 10 Drawing Sheets**



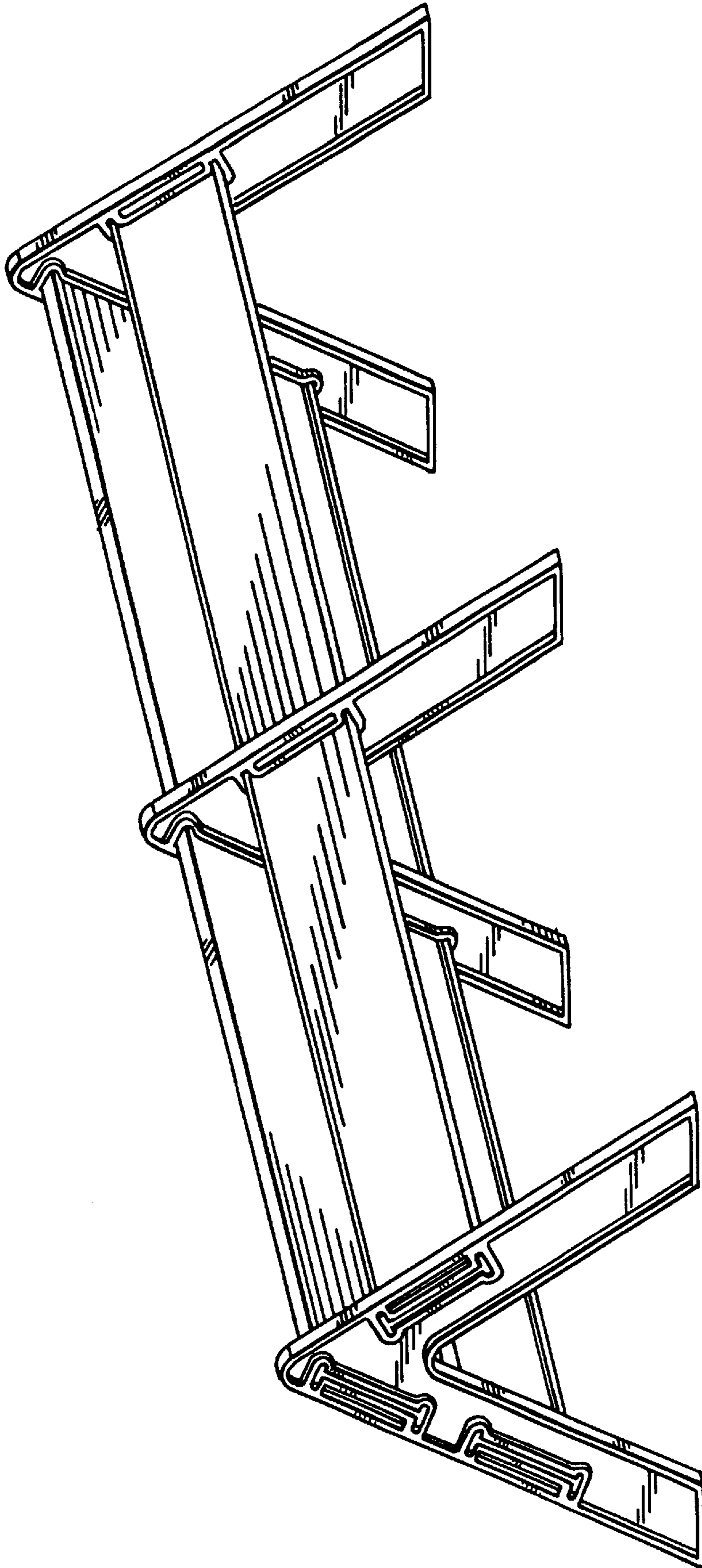


FIG. 1

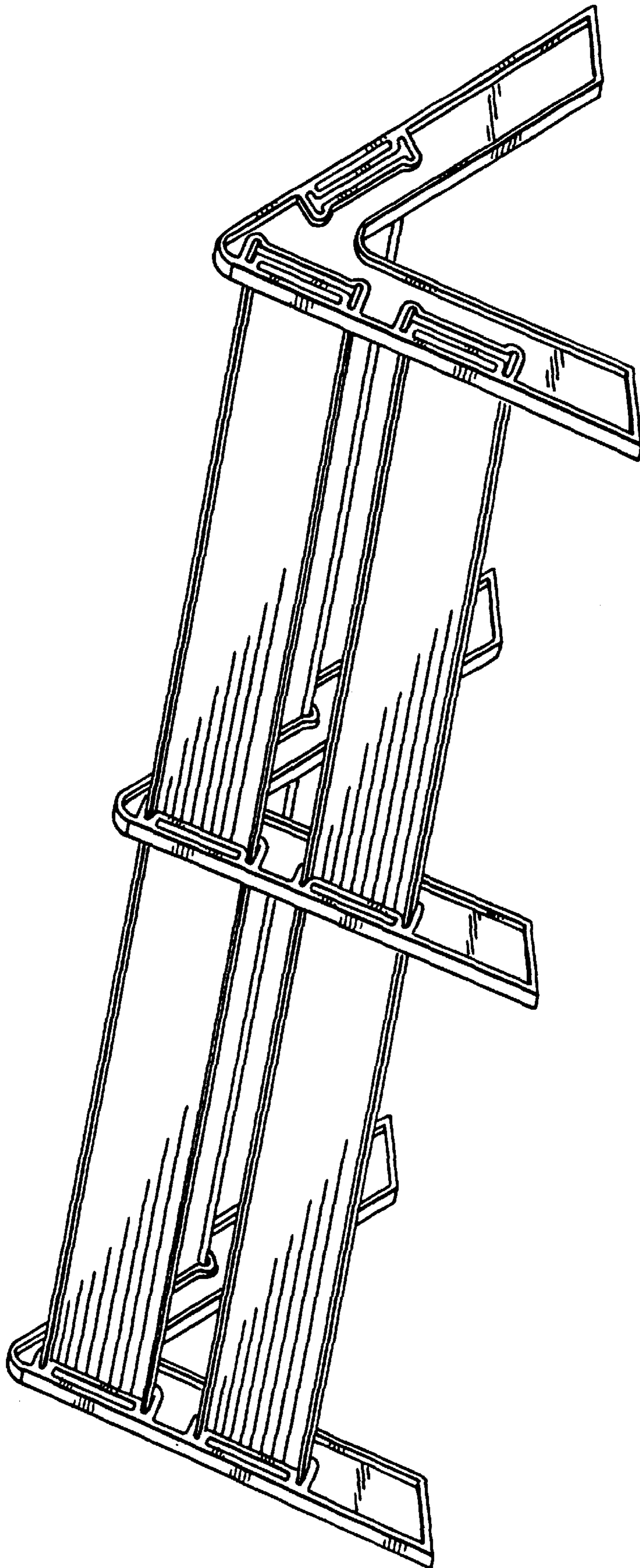


FIG. 2



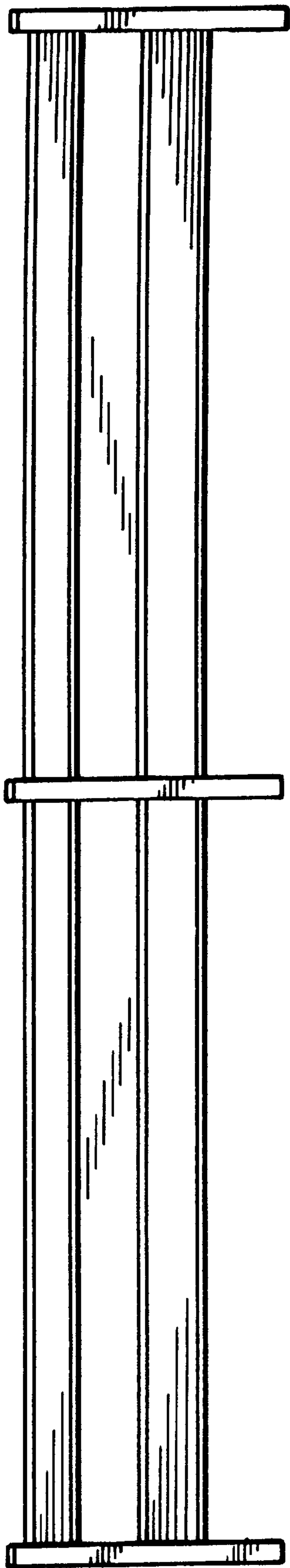


FIG. 3

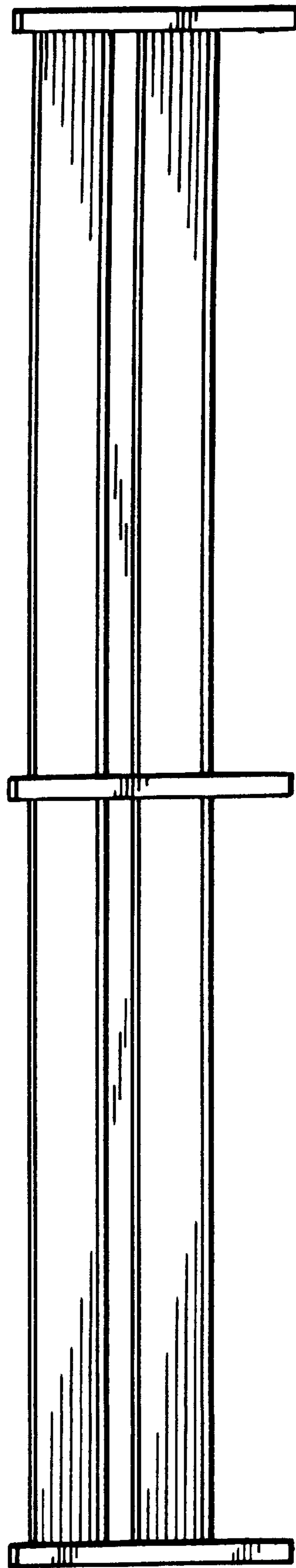


FIG. 4

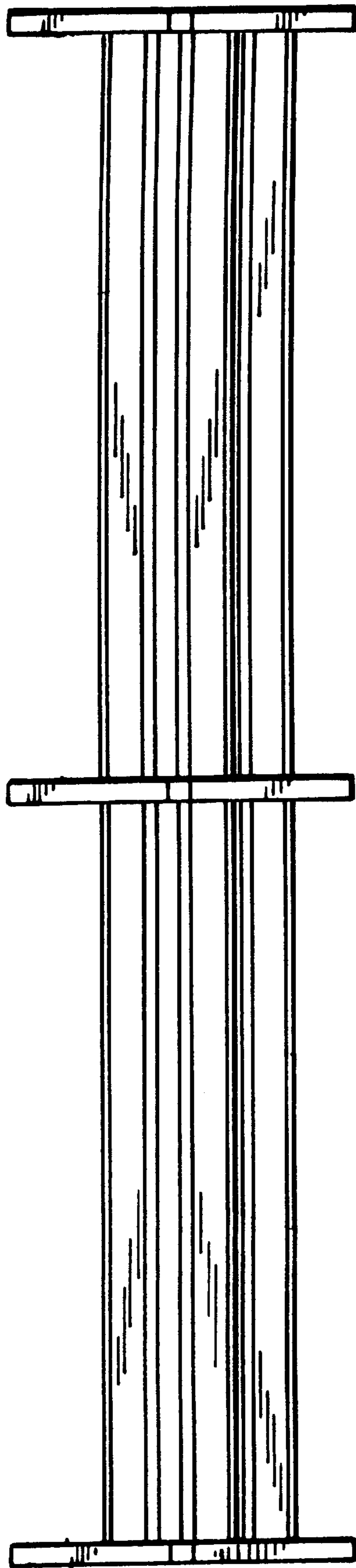


FIG. 5

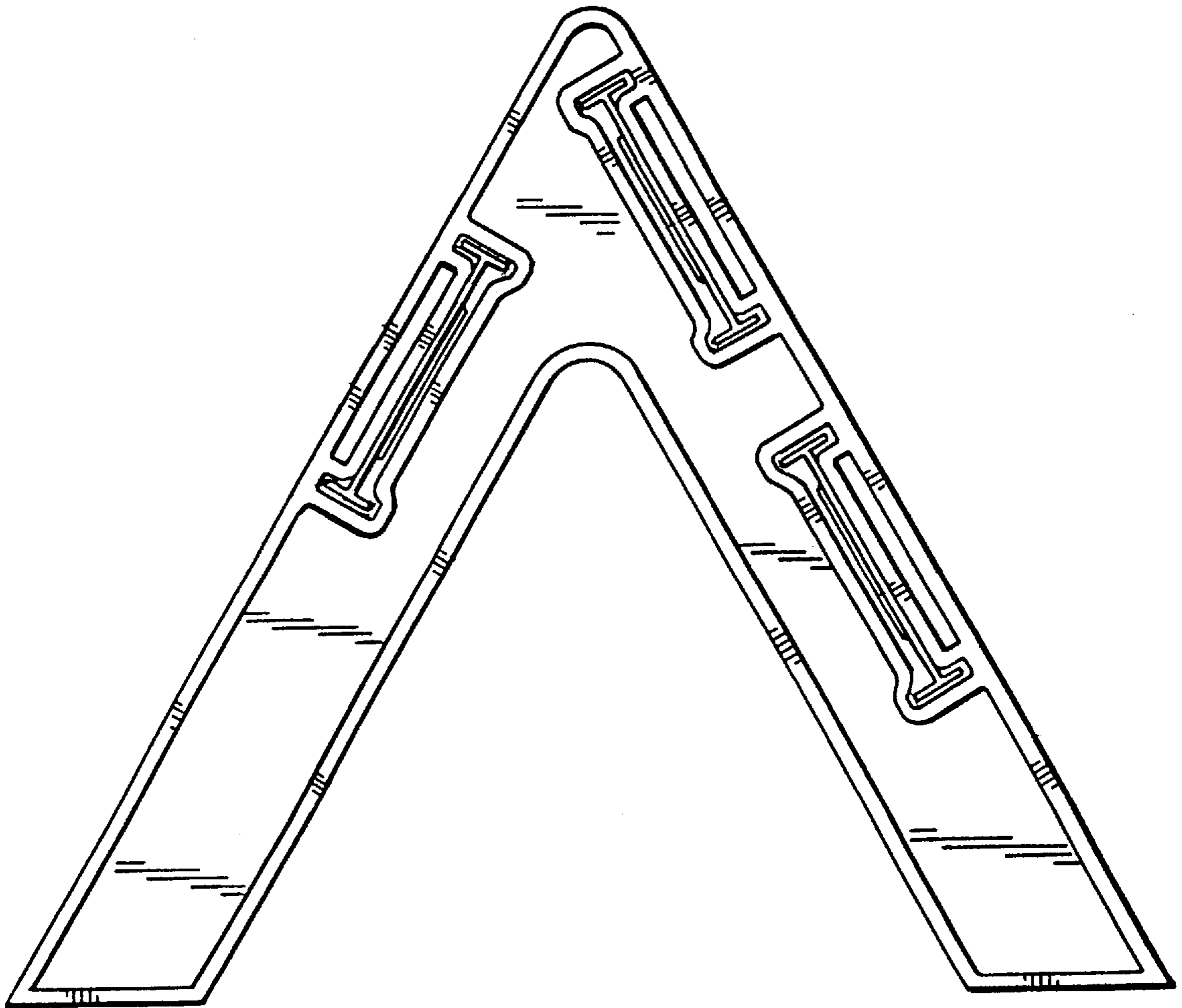


FIG. 6

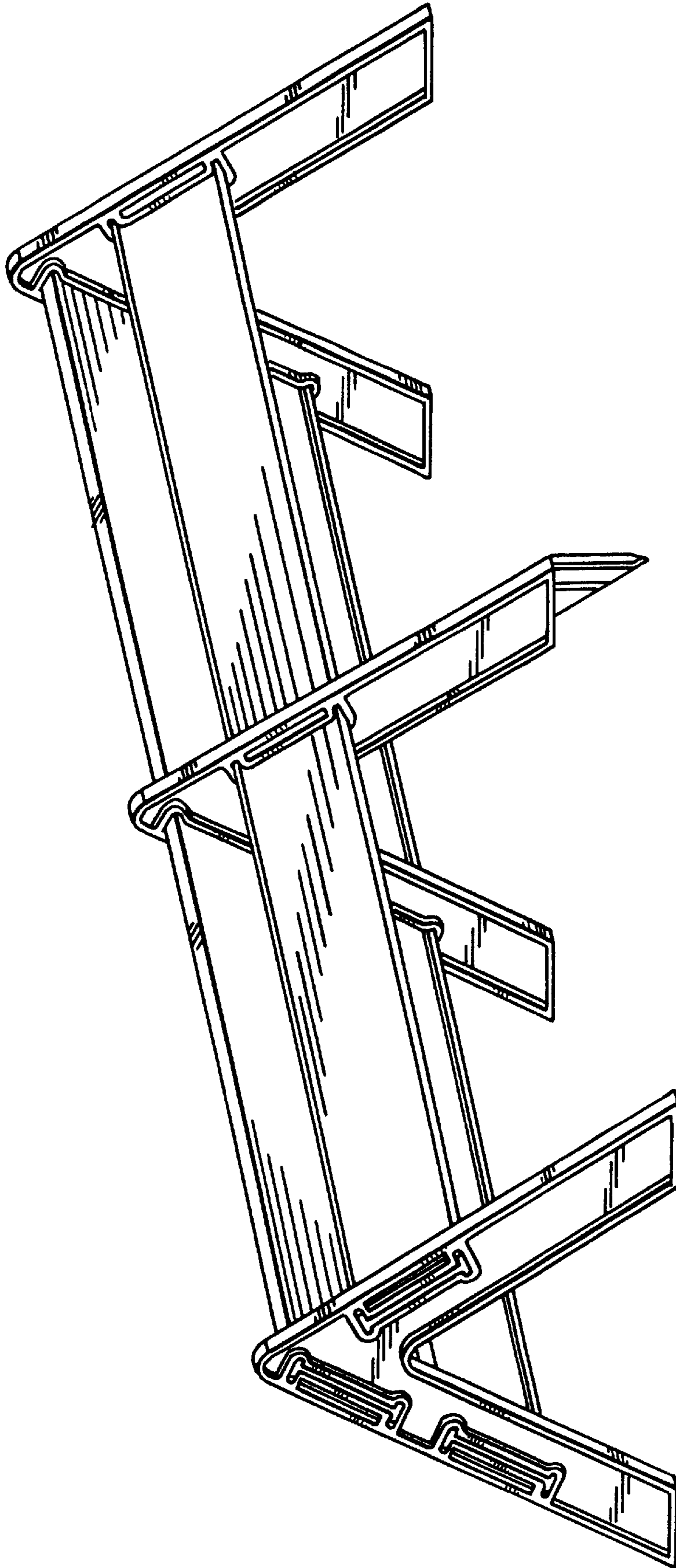


FIG. 7

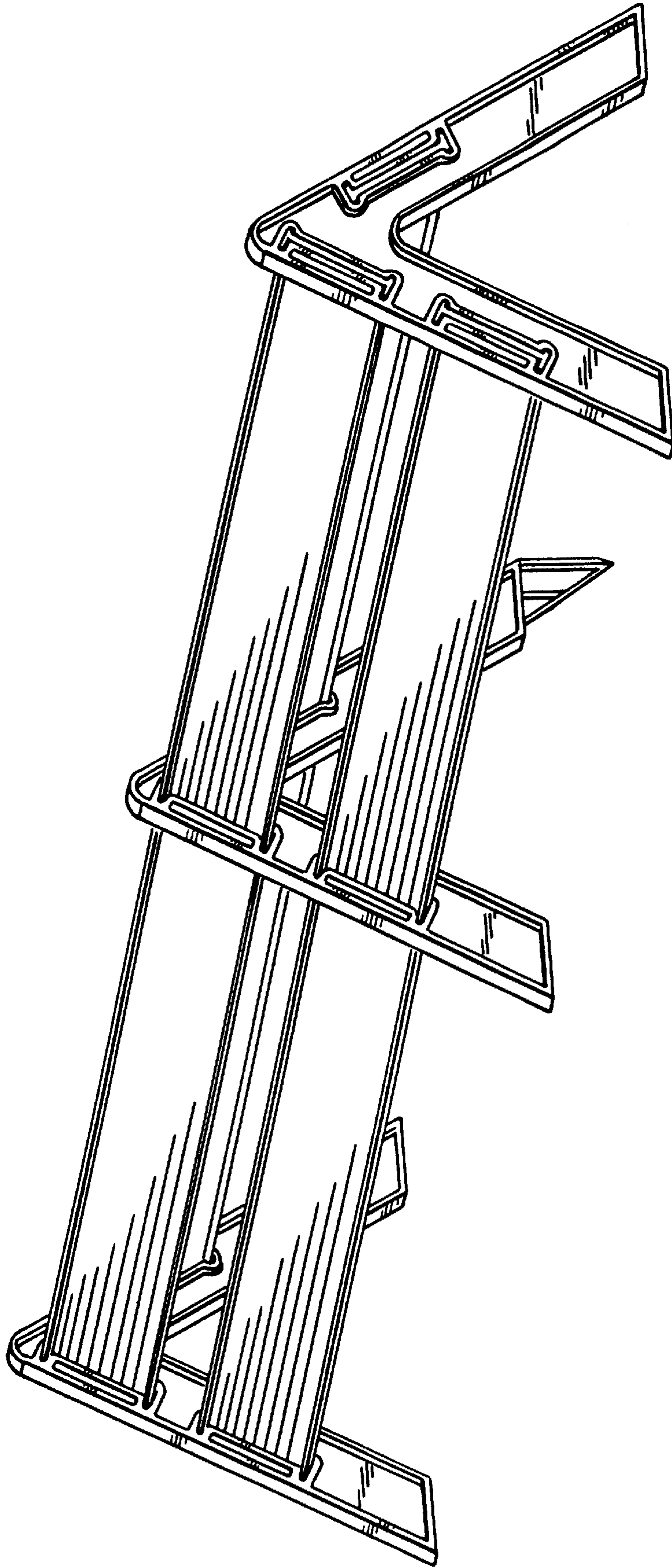


FIG. 8



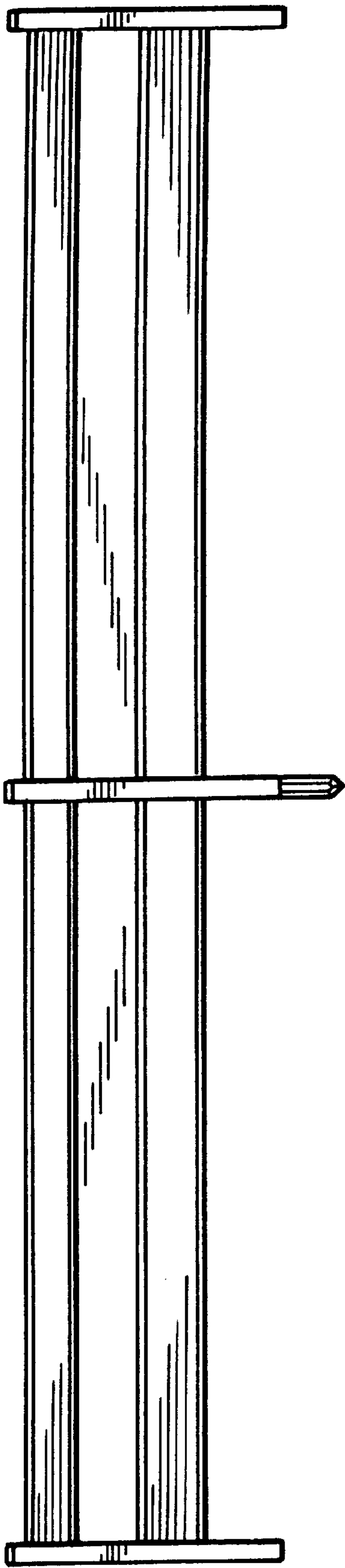


FIG. 9

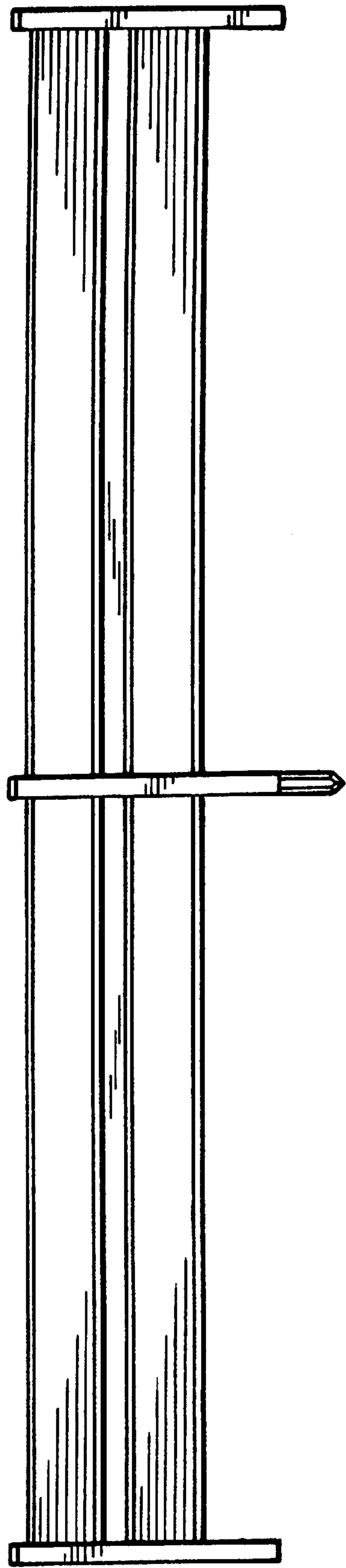


FIG. 10

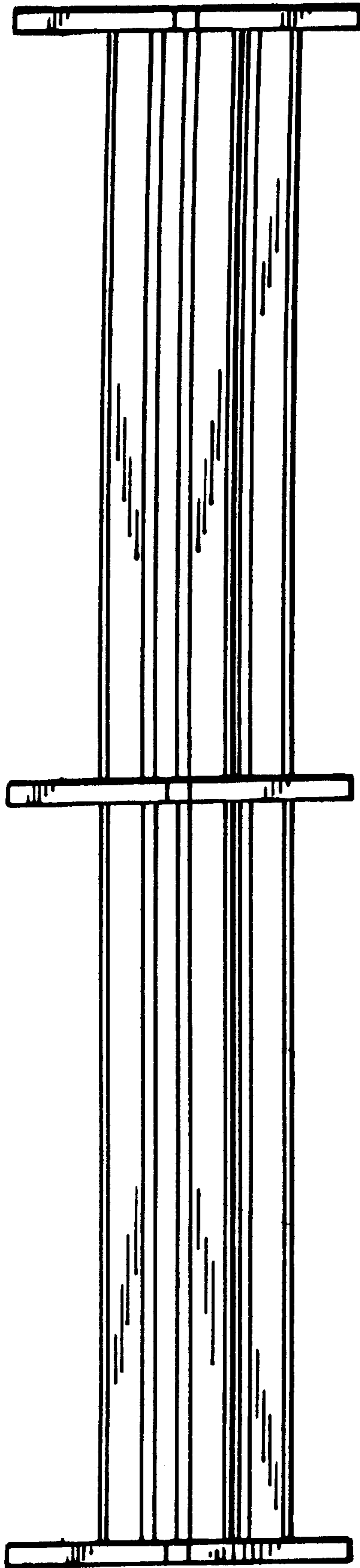


FIG. II

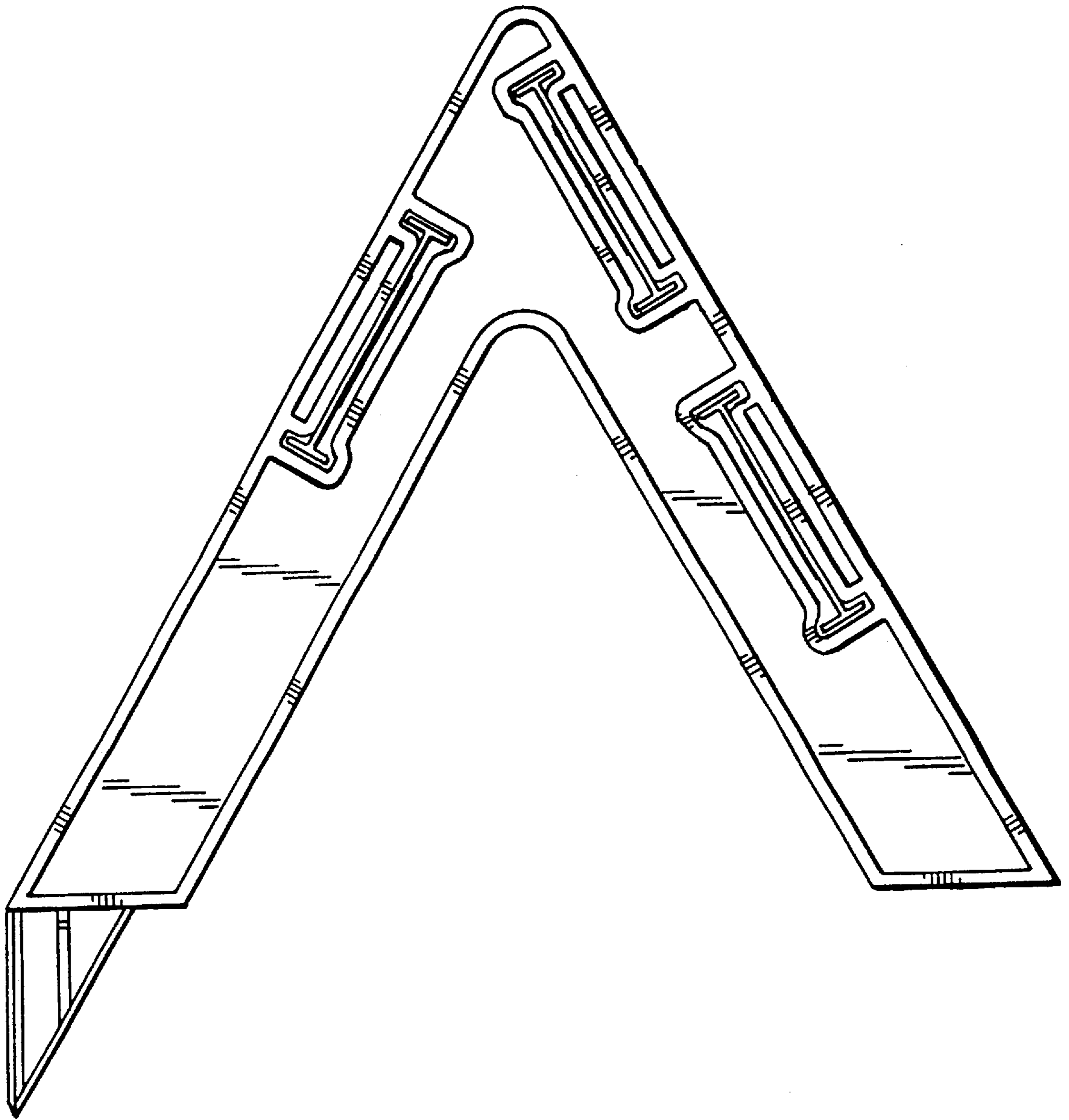


FIG. 12