



US00D410114S

United States Patent [19] Carabello

[11] Patent Number: Des. 410,114

[45] Date of Patent: ** May 18, 1999

[54] FLOSS DISPENSER

[75] Inventor: Julie Carabello, San Fransisco, Calif.

[73] Assignee: The Gillette Company, Boston, Mass.

[**] Term: 14 Years

[21] Appl. No.: 29/079,481

[22] Filed: Nov. 17, 1997

[51] LOC (6) Cl. 28-03

[52] U.S. Cl. D28/66

[58] Field of Search D28/65-68; D9/419,
D9/424, 414; 132/321-329; 206/63.3, 63.5,
408, 409; D27/189-192; D3/207, 208, 211,
212; 225/33, 38, 39, 42, 44-49, 53, 56,
63, 77, 85

4,712,572	12/1987	Hovel, III .	
4,852,728	8/1989	Court .	
4,881,560	11/1989	Blank et al.	132/324
4,934,523	6/1990	Strom .	
4,986,289	1/1991	McWhorter	132/323
5,014,725	5/1991	Patscot et al.	132/324
5,076,423	12/1991	Russack	206/63.5
5,097,964	3/1992	Fitz .	
5,160,077	11/1992	Sticklin	225/38
5,180,090	1/1993	Douglas et al.	225/42
5,207,773	5/1993	Henderson	132/322
5,246,022	9/1993	Israel et al.	132/324
5,549,201	8/1996	Braude	206/388
5,566,692	10/1996	Thornton	132/324
5,649,659	7/1997	Saunders	225/39
5,657,780	8/1997	Giacopuzzi	132/325
5,678,580	10/1997	Sherman	132/324
5,680,875	10/1997	Winters	132/324
5,806,666	9/1998	Chiang et al.	206/63.5

FOREIGN PATENT DOCUMENTS

891776	3/1944	France	225/48
--------	--------	--------------	--------

[56] References Cited

U.S. PATENT DOCUMENTS

D. 222,819	1/1972	Del Corno et al.	D6/632
D. 255,388	6/1980	Olson .	
D. 289,973	5/1987	Corella	D9/337
D. 291,412	8/1987	Chodorow et al.	D9/337
D. 300,961	5/1989	Woodman et al. .	
D. 309,959	8/1990	Endelson et al. .	
D. 326,339	5/1992	Sherman et al.	D28/66
D. 339,215	9/1993	Spencer, Jr.	D28/66
D. 345,824	4/1994	Fitz .	
D. 368,986	4/1996	Haber et al. .	
817,050	4/1906	LaCour .	
2,083,398	6/1937	Rohland .	
2,446,383	8/1948	Motz .	
2,451,849	10/1948	Massimiano .	
2,510,194	6/1950	Thomas .	
3,280,971	10/1966	Regan .	
3,869,044	3/1975	Olsson et al. .	
3,918,466	11/1975	Peebles .	
4,162,688	7/1979	Tarrson et al. .	
4,327,755	5/1982	Endelson	132/324
4,579,221	4/1986	Corella .	

Primary Examiner—Ted Shooman
Assistant Examiner—C. Tuttle
Attorney, Agent, or Firm—David A. Howley

[57] CLAIM

The ornamental design for a floss dispenser, as shown and described.

DESCRIPTION

FIG. 1 is a bottom perspective view of a floss dispenser showing my new design;
FIG. 2 is a top perspective view thereof;
FIG. 3 is a top plan view thereof;
FIG. 4 is a bottom plan view thereof;
FIG. 5 is a left side elevational view thereof;
FIG. 6 is a right side elevational view thereof;
FIG. 7 is a rear elevational view thereof; and,
FIG. 8 is a front elevational view thereof.

1 Claim, 2 Drawing Sheets

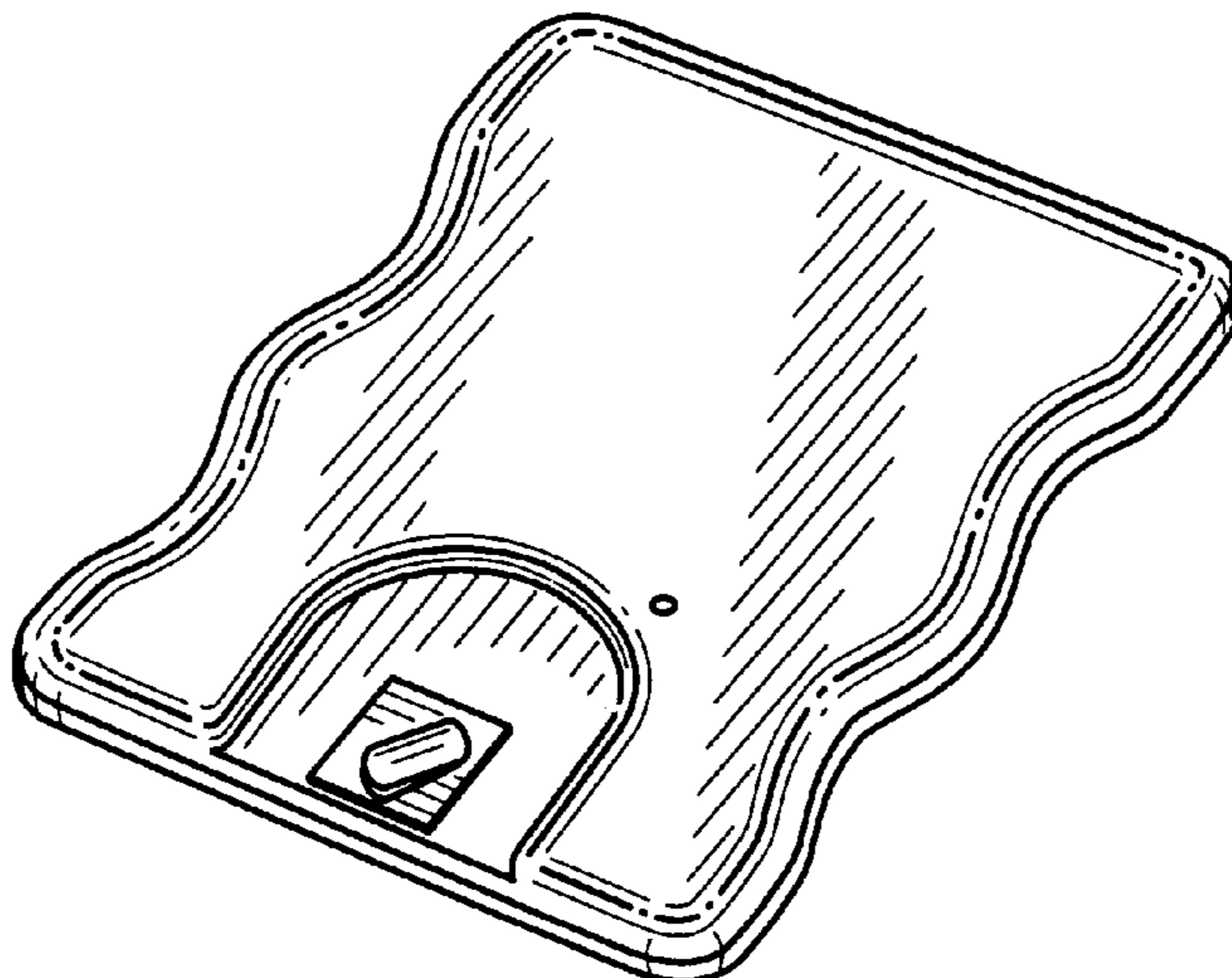


FIG. 1

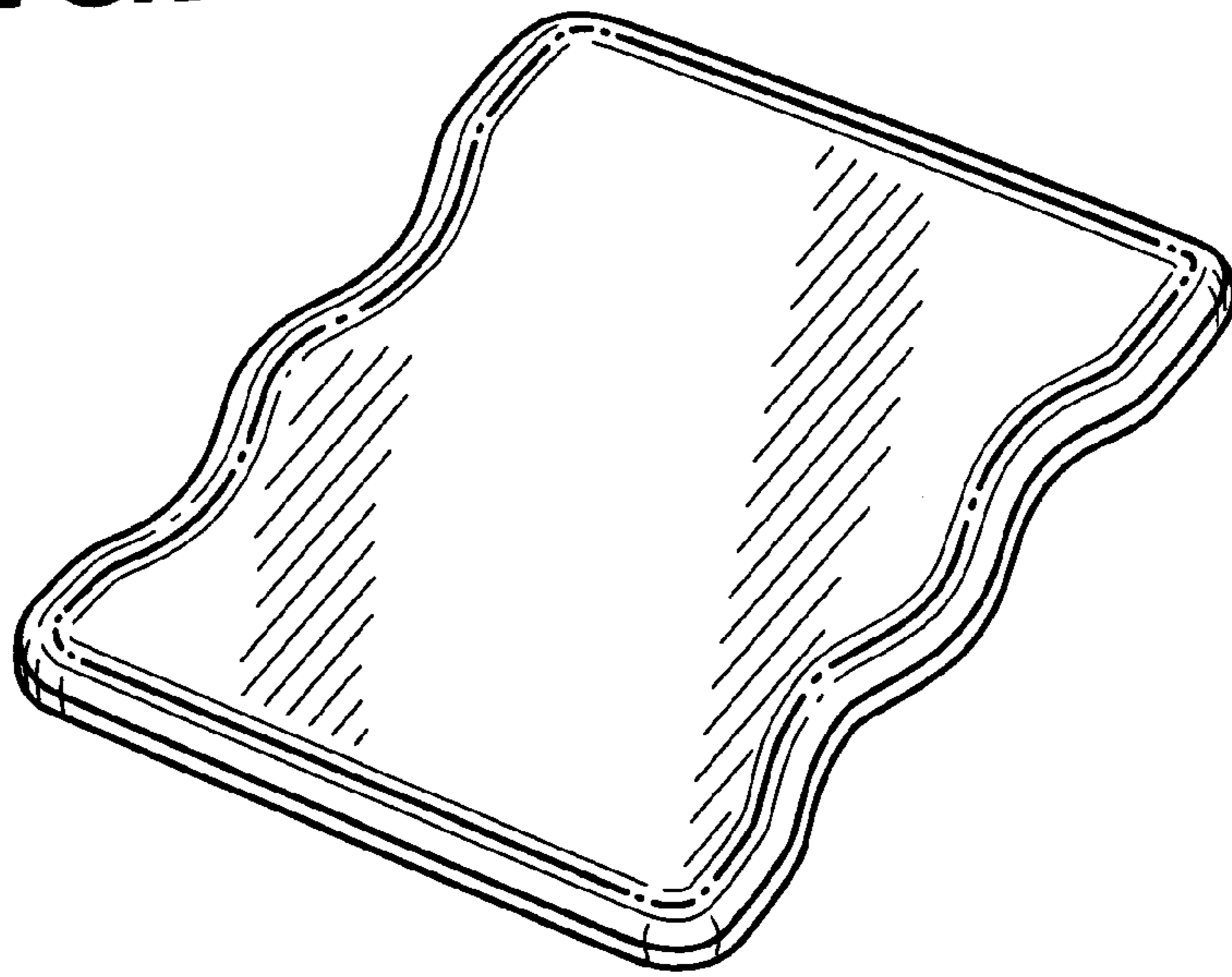


FIG. 2

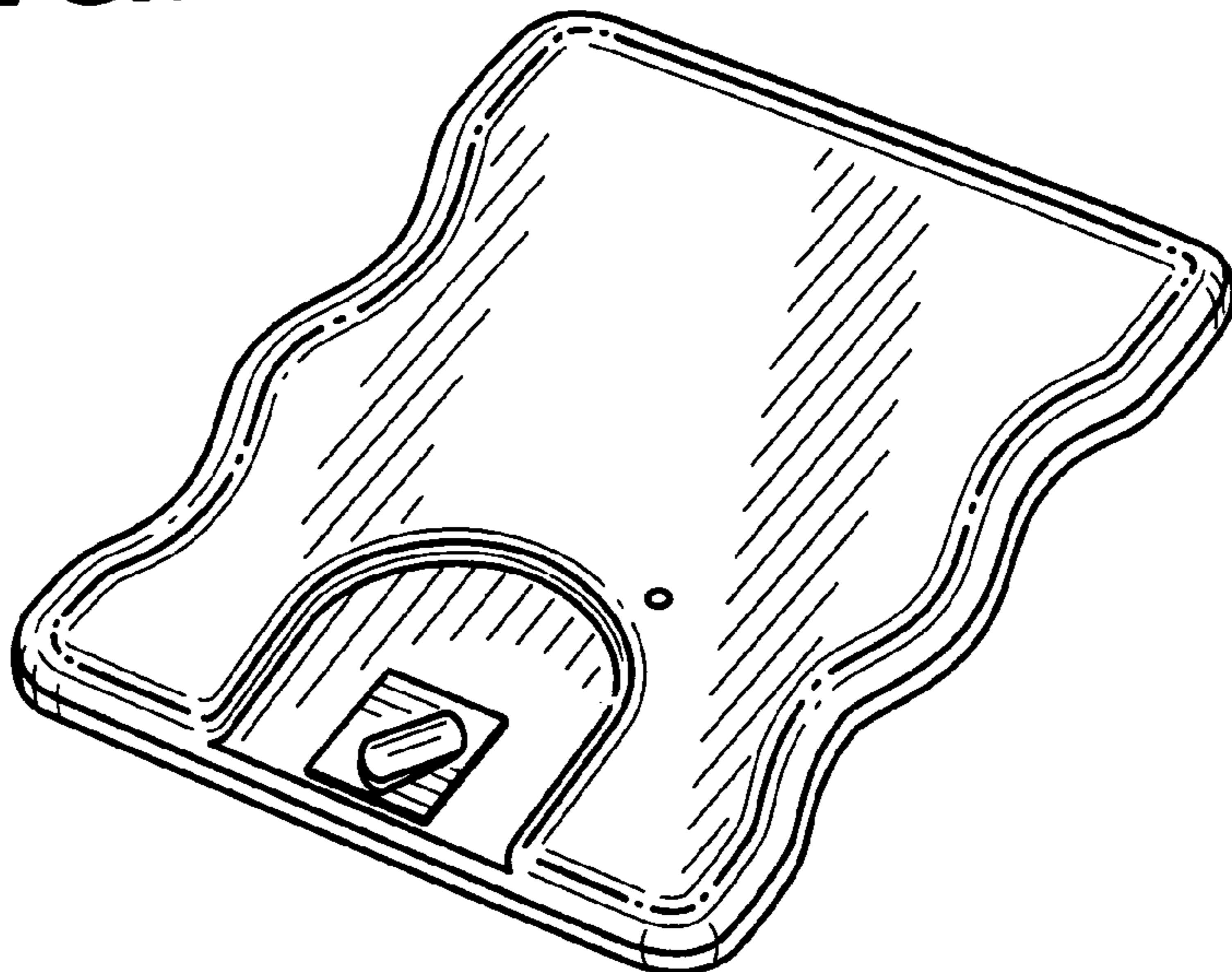


FIG. 7



FIG. 4

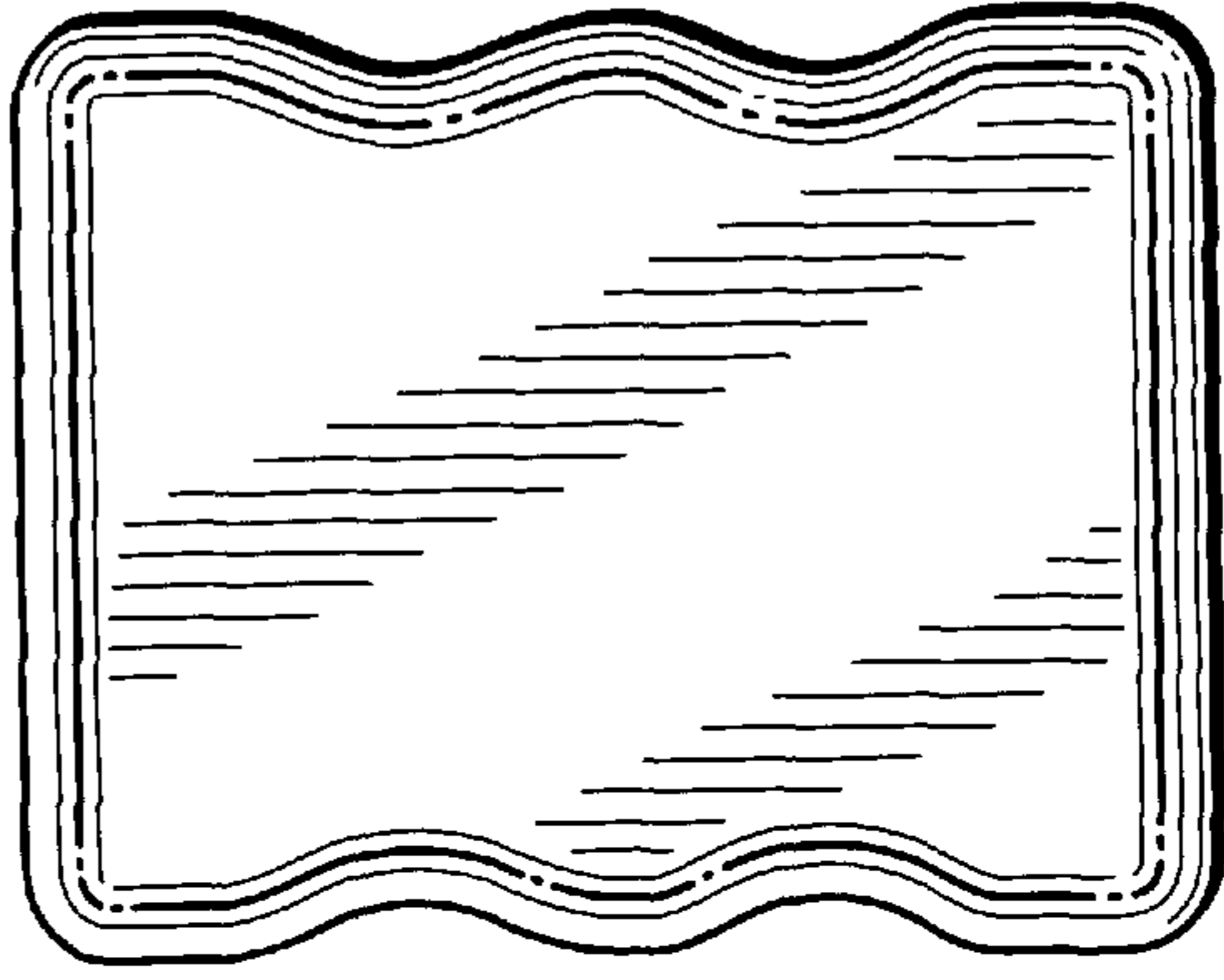


FIG. 6



FIG. 3

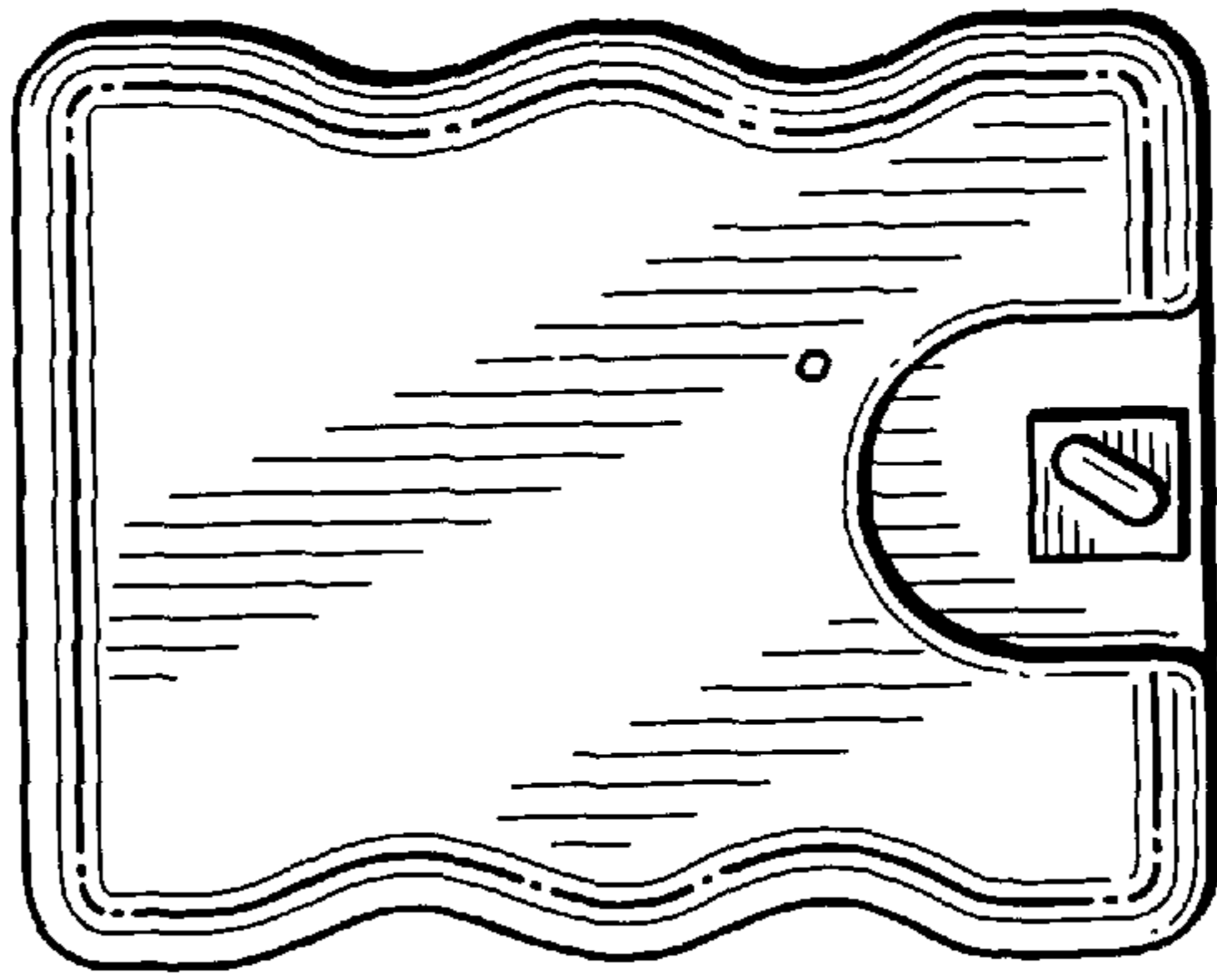


FIG. 5



FIG. 8

