



US00D410113S

United States Patent [19]
Chen

[11] **Patent Number: Des. 410,113**

[45] **Date of Patent: ** May 18, 1999**

[54] **HANDLE OF A BODY CLEANING BRUSH**

[76] Inventor: **Kuo-Chin Chen**, 2-1 Fl., No.18, Alley
47, Lane 208, Jui An Street, Ta An
District, Taipei, Taiwan

[**] Term: **14 Years**

[21] Appl. No.: **29/092,127**

[22] Filed: **Aug. 12, 1998**

[51] **LOC (6) Cl.** **04-02**

[52] **U.S. Cl.** **D28/63; D4/138; D24/211**

[58] **Field of Search** D4/132, 134, 138;
D24/211, 214; D28/63, 91.2; D32/40, 51,
52; 15/143.1, 159.1, 160, 229.13, 244.1;
601/134, 135

[56] **References Cited**

U.S. PATENT DOCUMENTS

D. 198,742	7/1964	Bennett	D32/51
D. 280,449	9/1985	Cognori	D28/91.2
D. 343,924	2/1994	Kaplan	D28/63
5,426,810	6/1995	Rones	15/229.13

Primary Examiner—Alan P. Douglas
Assistant Examiner—Lavone D. Tabor

Attorney, Agent, or Firm—Pro-Techtor International
Services

[57] **CLAIM**

The ornamental design for a handle of a body cleaning
brush, as shown and described.

DESCRIPTION

FIG. 1 is a front elevation of a handle of a body cleaning
brush showing my design;

FIG. 2 is a rear elevation thereof;

FIG. 3 is a left side elevation thereof;

FIG. 4 is a right side elevation thereof;

FIG. 5 is a top plan view thereof;

FIG. 6 is a bottom plan view thereof;

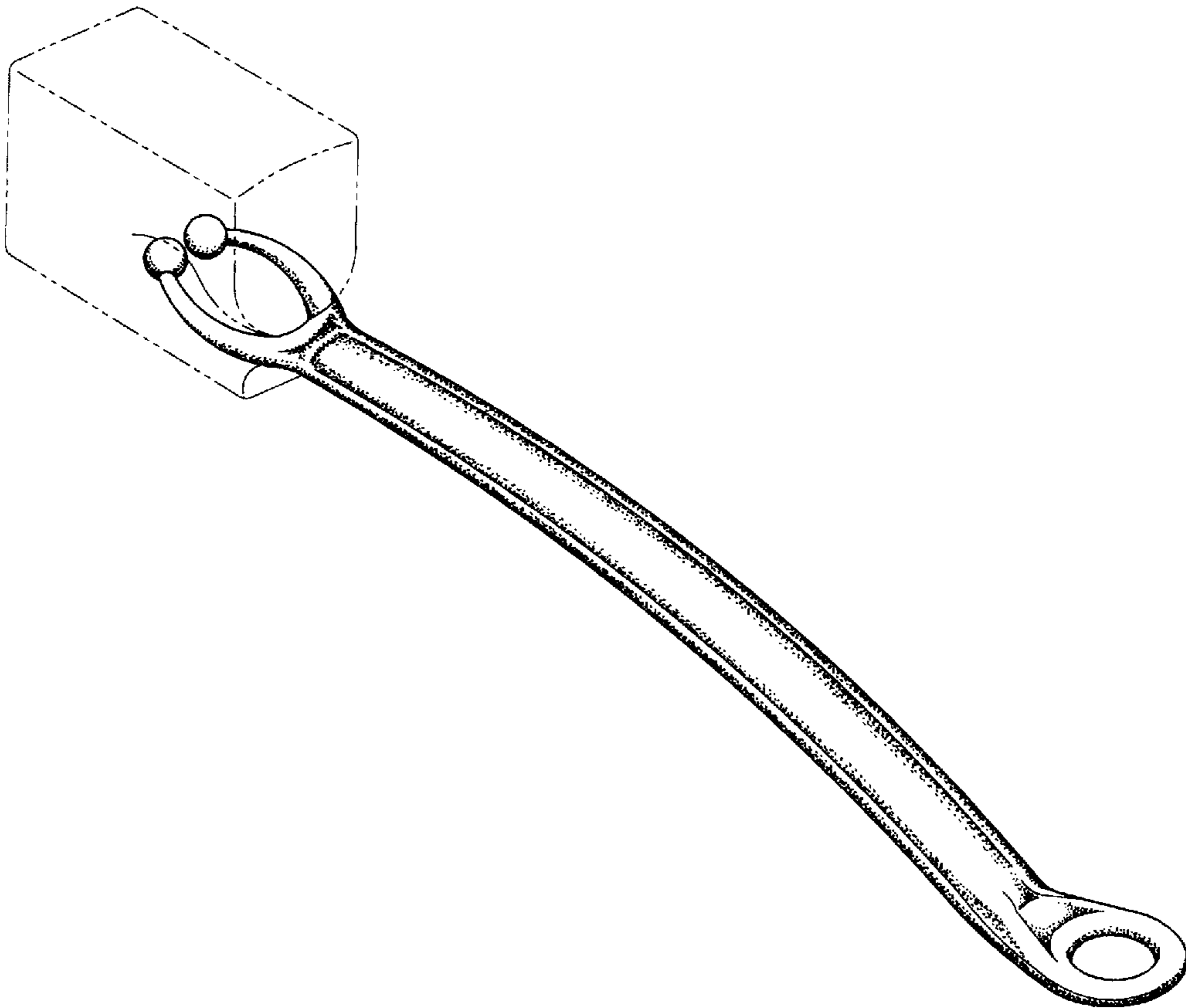
FIG. 7 is a perspective view thereof;

FIG. 8 is a perspective showing the use of the handle
according to my design; and,

FIG. 9 is another perspective also showing the use of the
handle according to my design.

The broken lines shown in FIGS. 8 and 9 are for illustrative
purposes only and form no part of the claimed design.

1 Claim, 5 Drawing Sheets



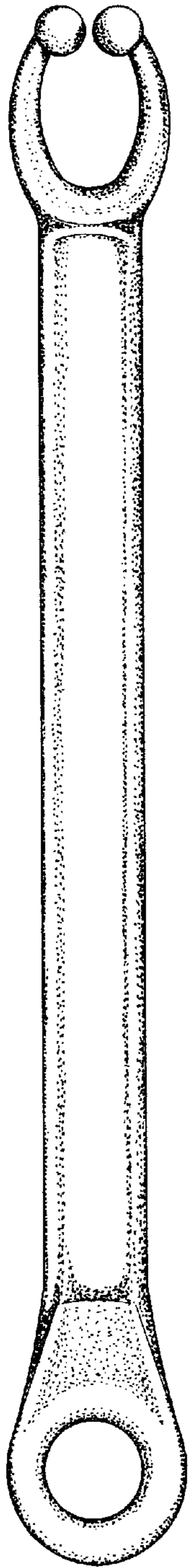


FIG. 1

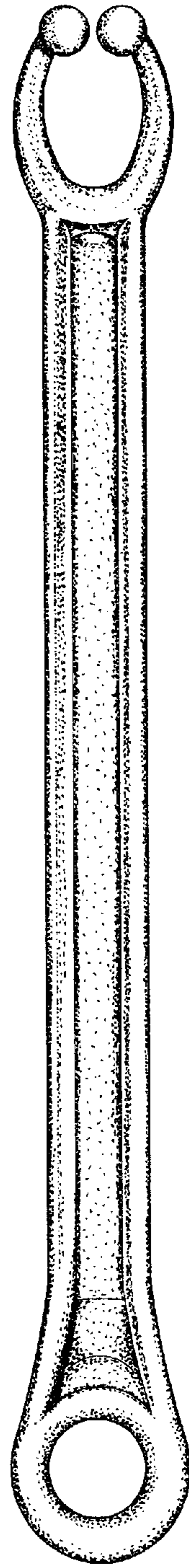


FIG. 2

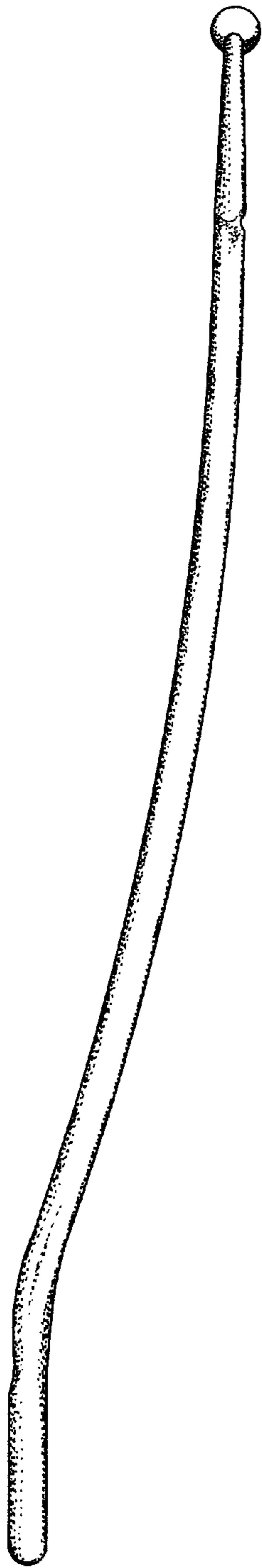


FIG. 3

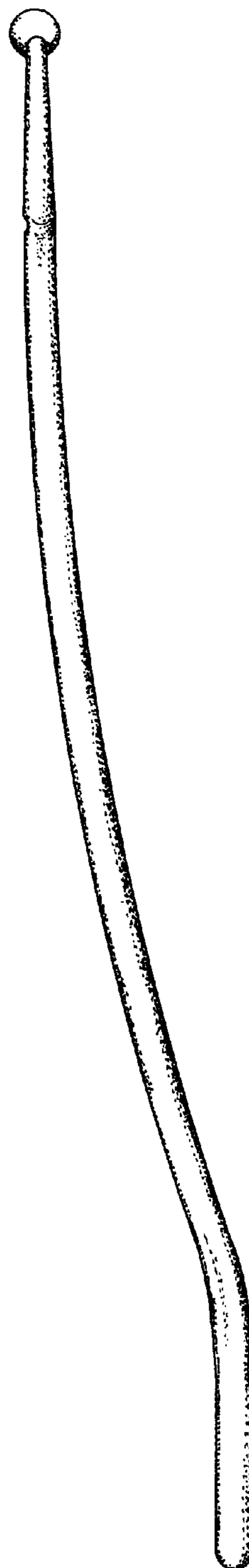


FIG. 4

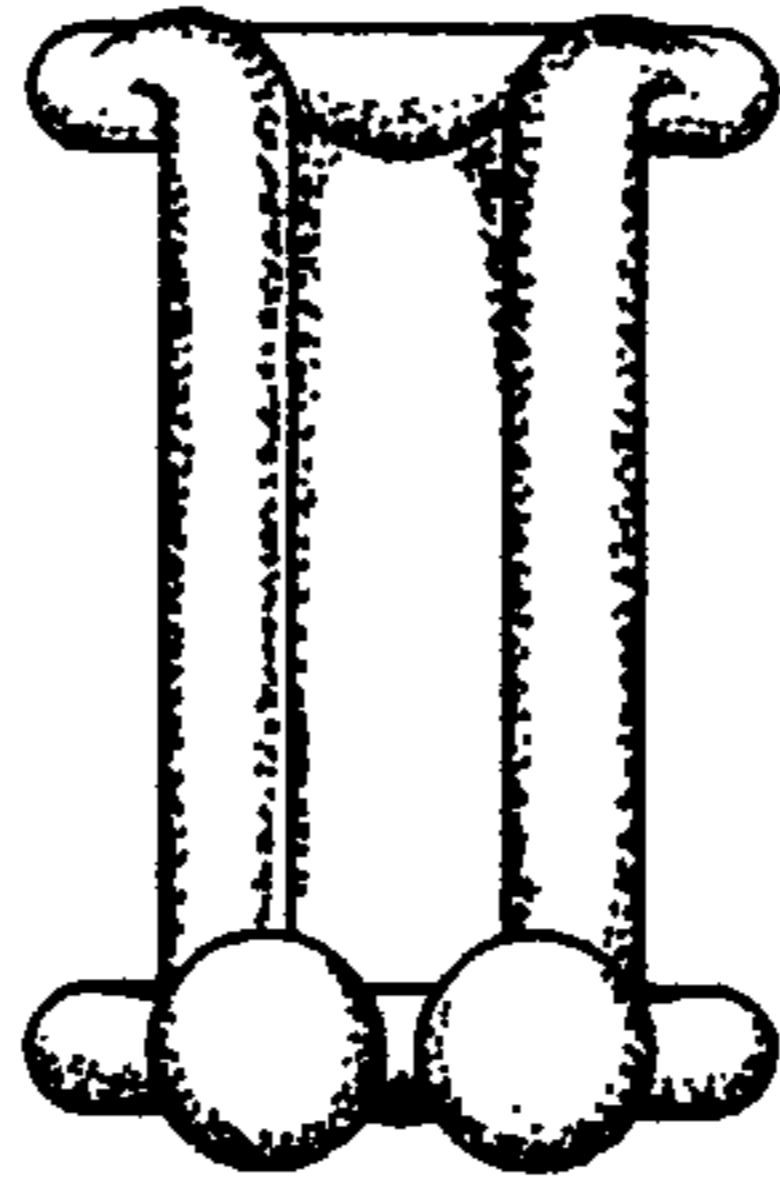


FIG. 5

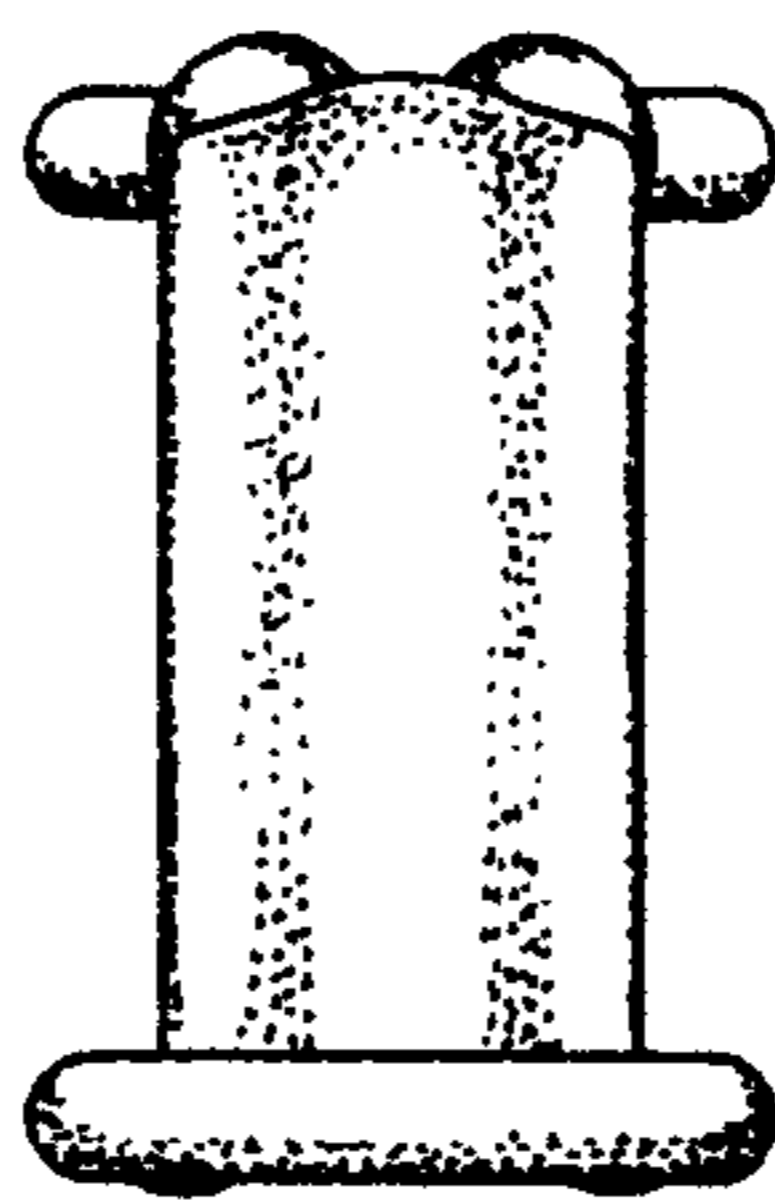


FIG. 6

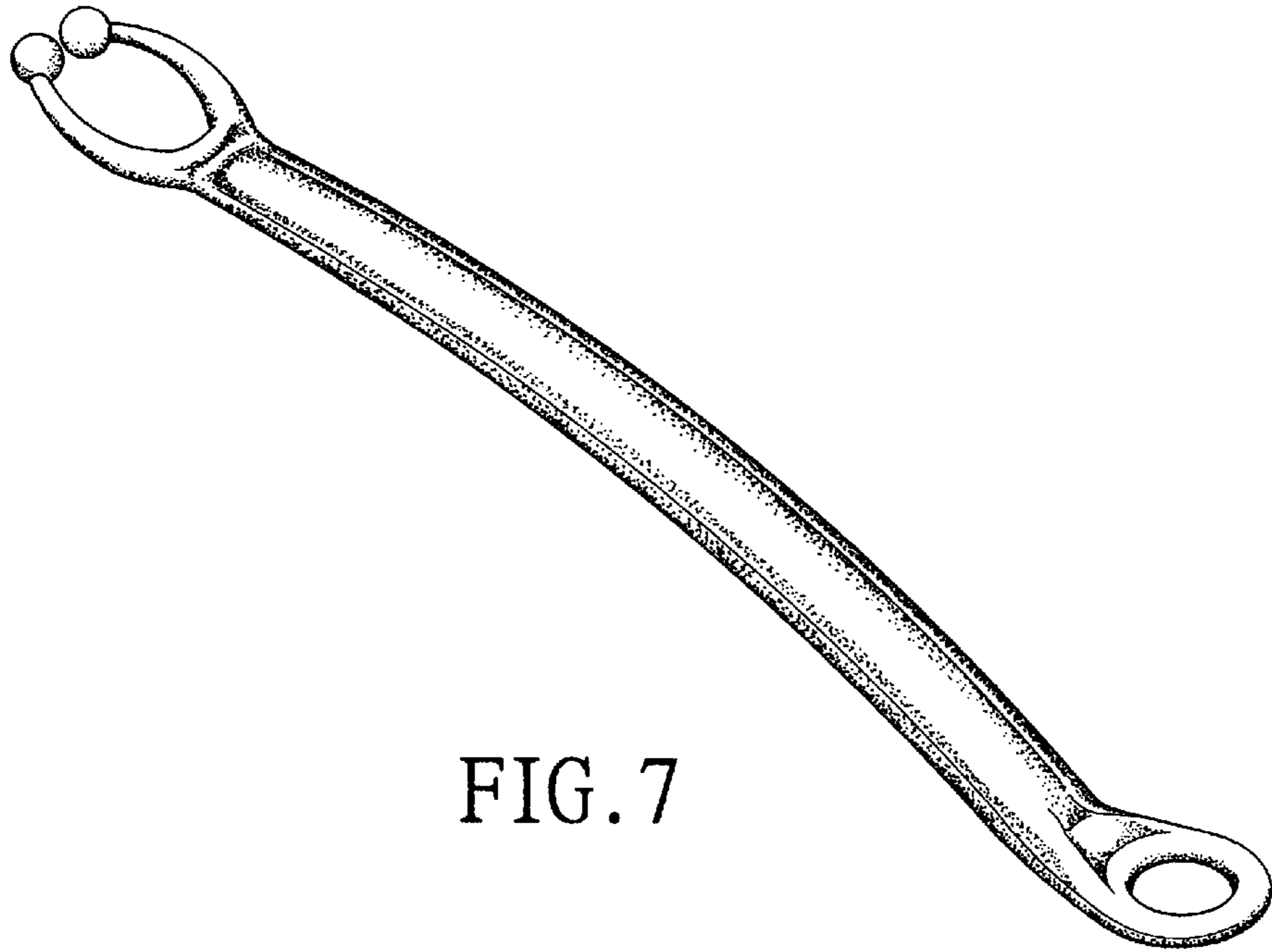


FIG. 7

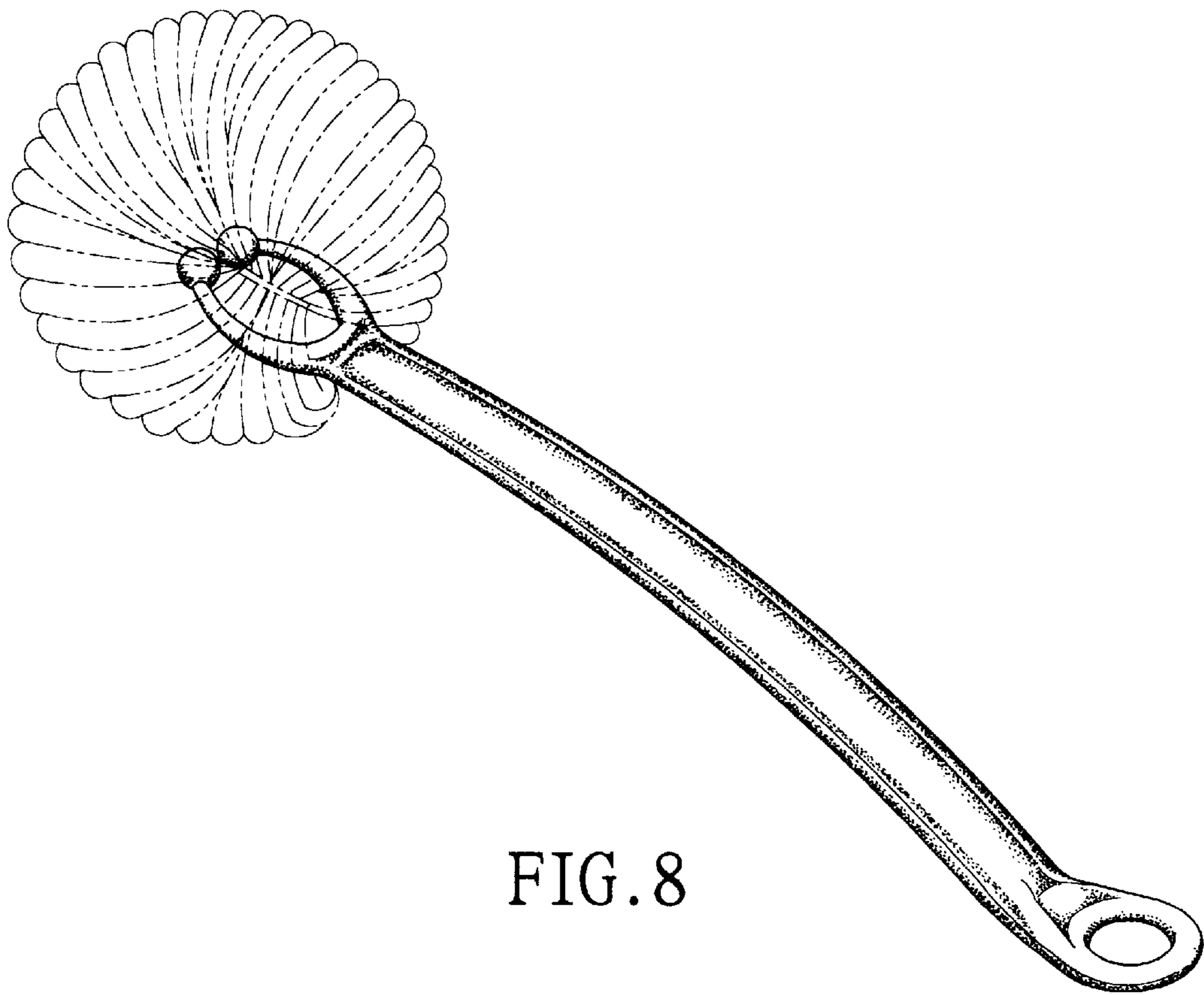


FIG. 8

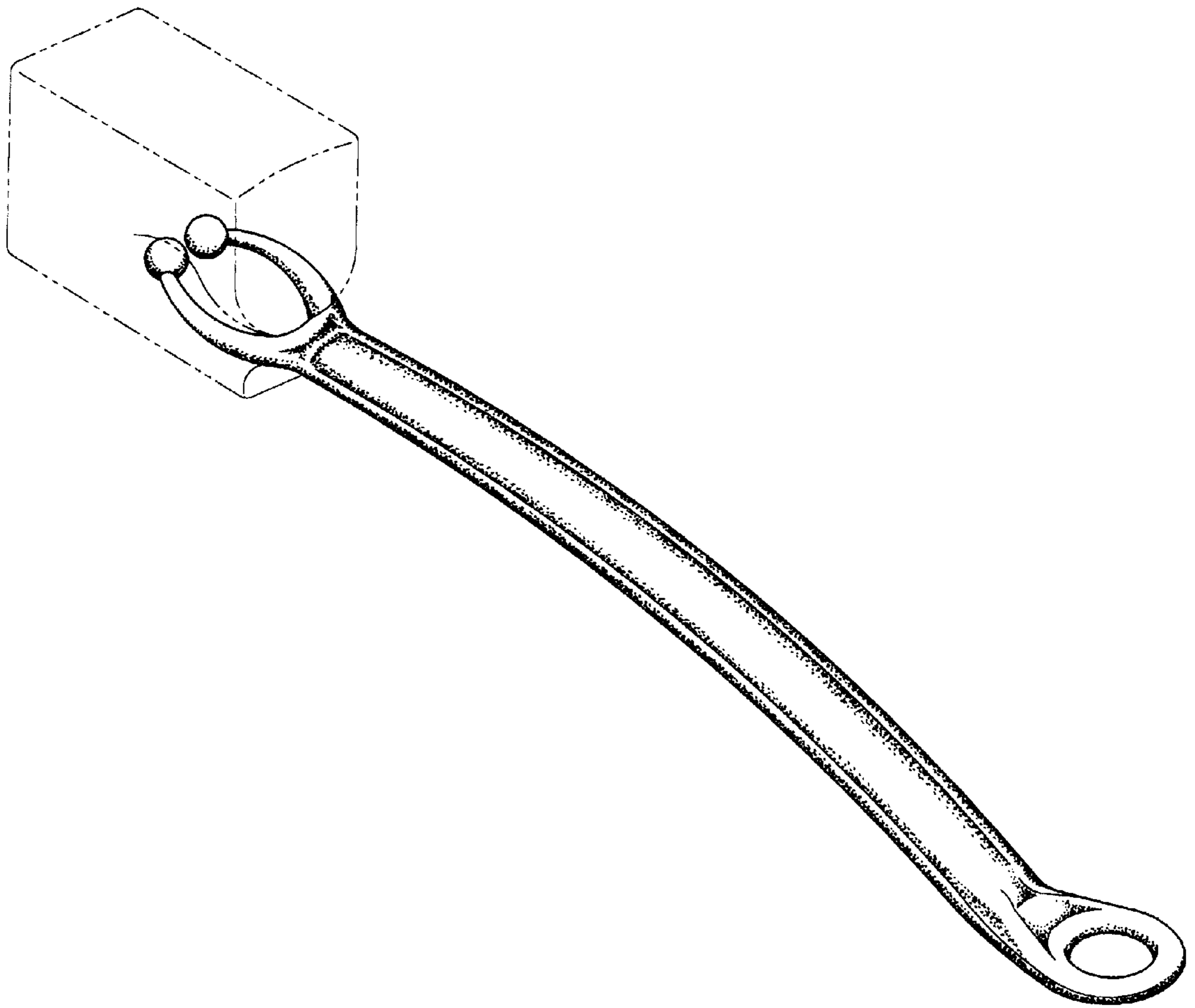


FIG. 9