



US00D410111S

United States Patent [19] Henry

[11] Patent Number: **Des. 410,111**

[45] Date of Patent: **** May 18, 1999**

[54] **CURLING TONG HEATER**

[75] Inventor: **David Henry**, London, United Kingdom

[73] Assignee: **Dave International Nyxon Bump Control Cosmetics Limited**, Hove, United Kingdom

[**] Term: **14 Years**

[21] Appl. No.: **29/062,991**

[22] Filed: **Nov. 15, 1996**

[30] **Foreign Application Priority Data**

May 23, 1996 [GB] United Kingdom 2056536

[51] **LOC (6) Cl.** **28-03**

[52] **U.S. Cl.** **D28/38**

[58] **Field of Search** D28/38, 73; 132/233, 132/212; 219/222, 242, 521; 248/117.1-117.7

[56] **References Cited**

U.S. PATENT DOCUMENTS

- D. 46,504 10/1914 Kuhn D28/38
- D. 326,164 5/1992 Taylor D28/38
- 1,061,289 5/1913 Heyder 219/521
- 1,367,952 2/1921 Emerson 219/521

- 1,462,392 7/1923 Strickland 219/521
- 2,059,133 10/1936 Merritt 219/521 X
- 2,133,573 10/1938 Rifle 219/222 X
- 2,562,821 7/1951 Rothweiler 219/521
- 3,946,196 3/1976 Waters et al. 219/222
- 4,812,616 3/1989 Hong 219/222

FOREIGN PATENT DOCUMENTS

500561 2/1939 United Kingdom 219/242

Primary Examiner—Ted Shooman
Assistant Examiner—C. Tuttle
Attorney, Agent, or Firm—Richard M. Goldberg

[57] **CLAIM**

The ornamental design for a curling tong heater, as shown and described.

DESCRIPTION

FIG. 1 is a left, front perspective view of the curling tong heater of my new design, in which the unshaded inner areas bounded by the oblong and circular outlines in FIG. 1 areas inside do not form part of the claimed design. FIG. 2 is a left, rear perspective view thereof; FIG. 3 is a bottom plan view thereof; and, FIG. 4 is a right side elevational view thereof, the left side elevational view being a mirror image thereof.

1 Claim, 2 Drawing Sheets

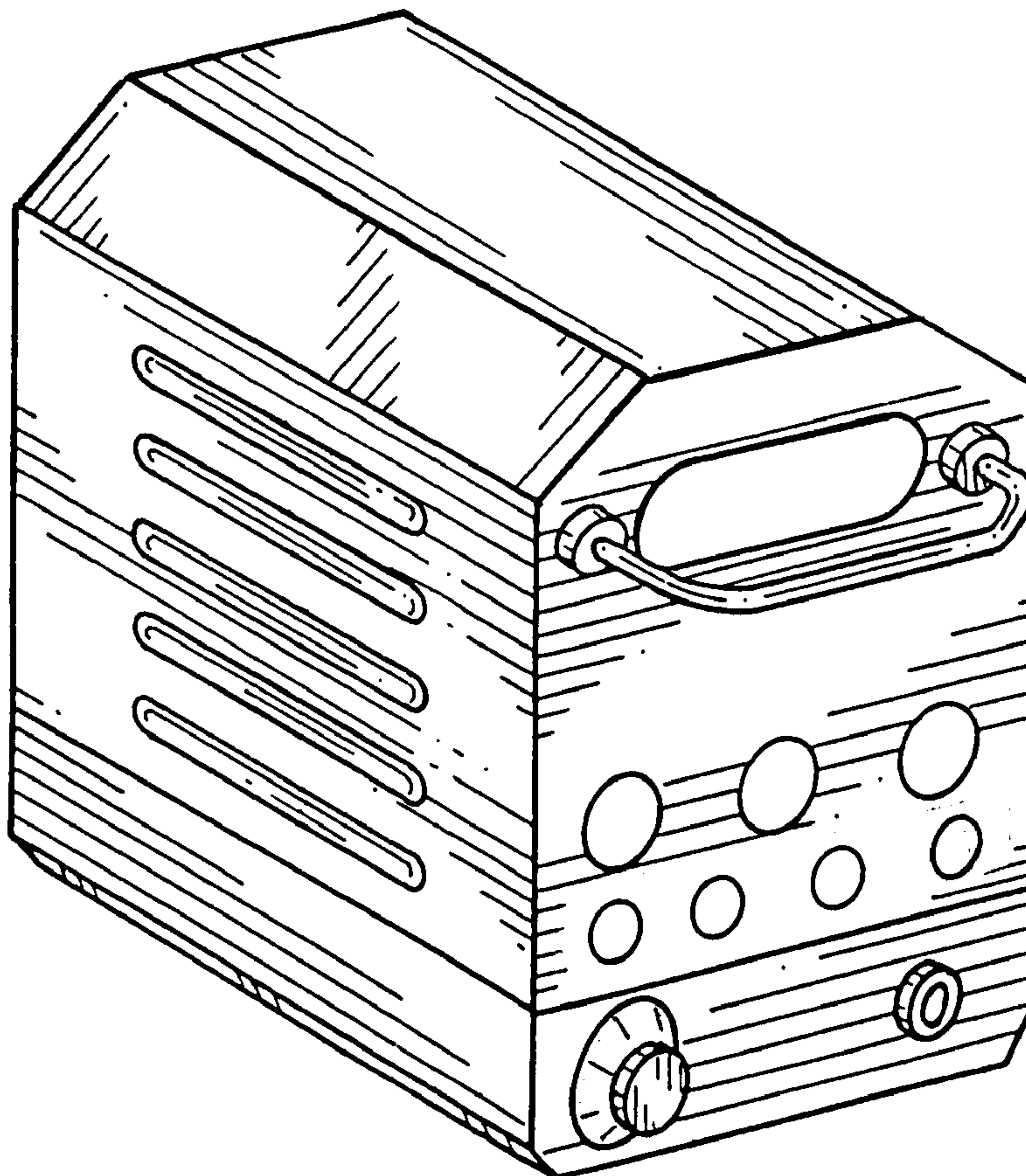


FIG. 1

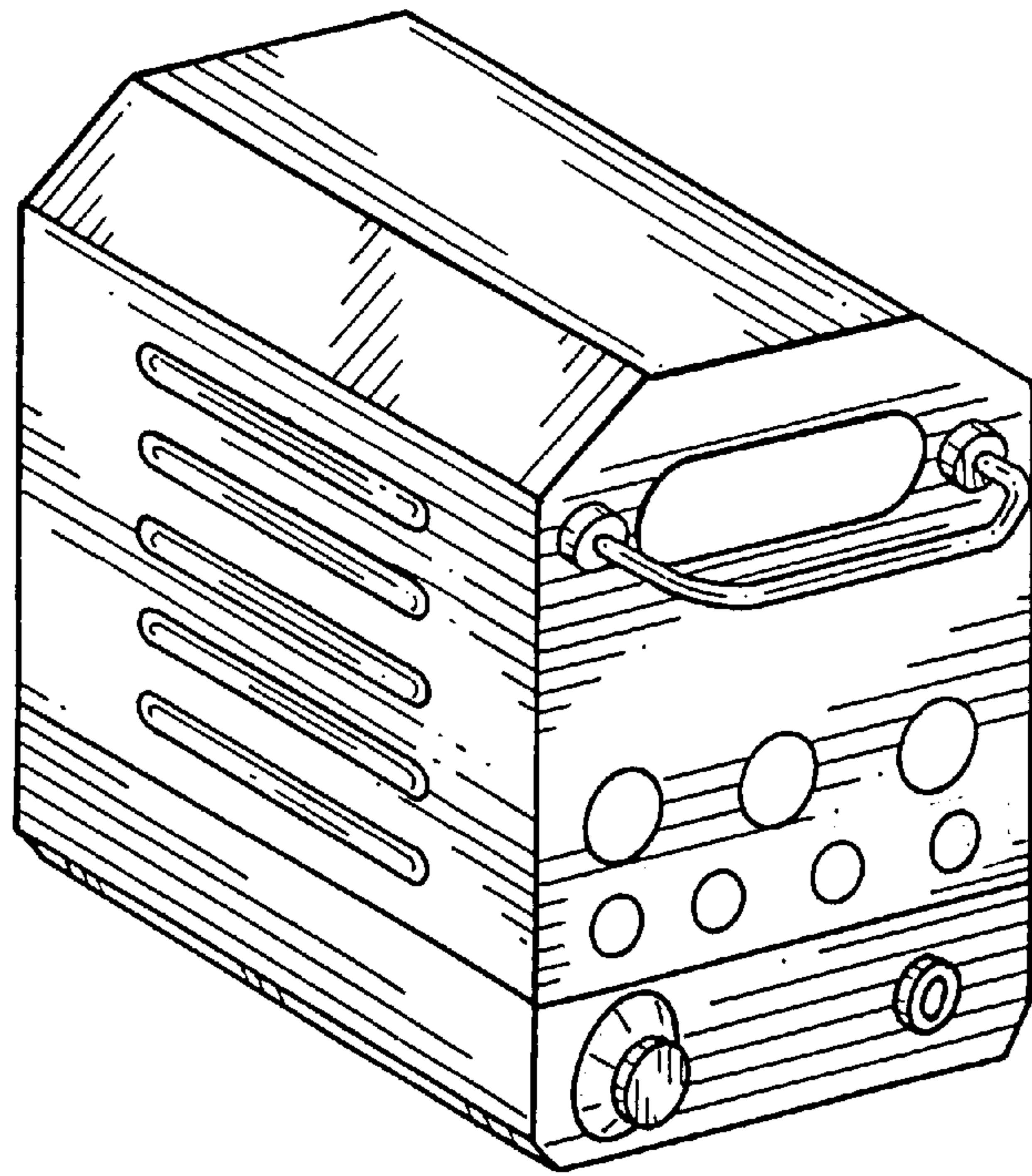


FIG. 2

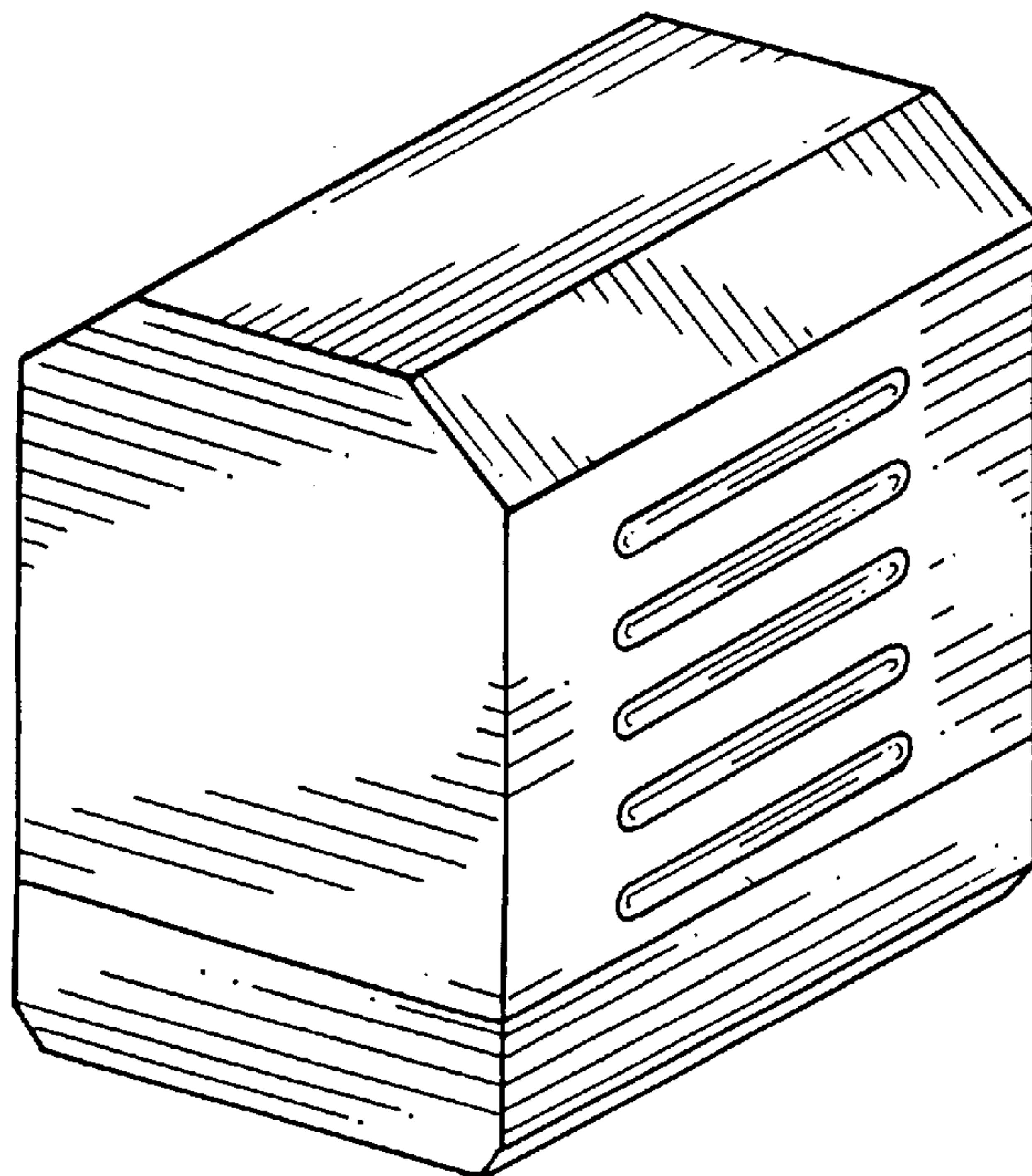


FIG. 3

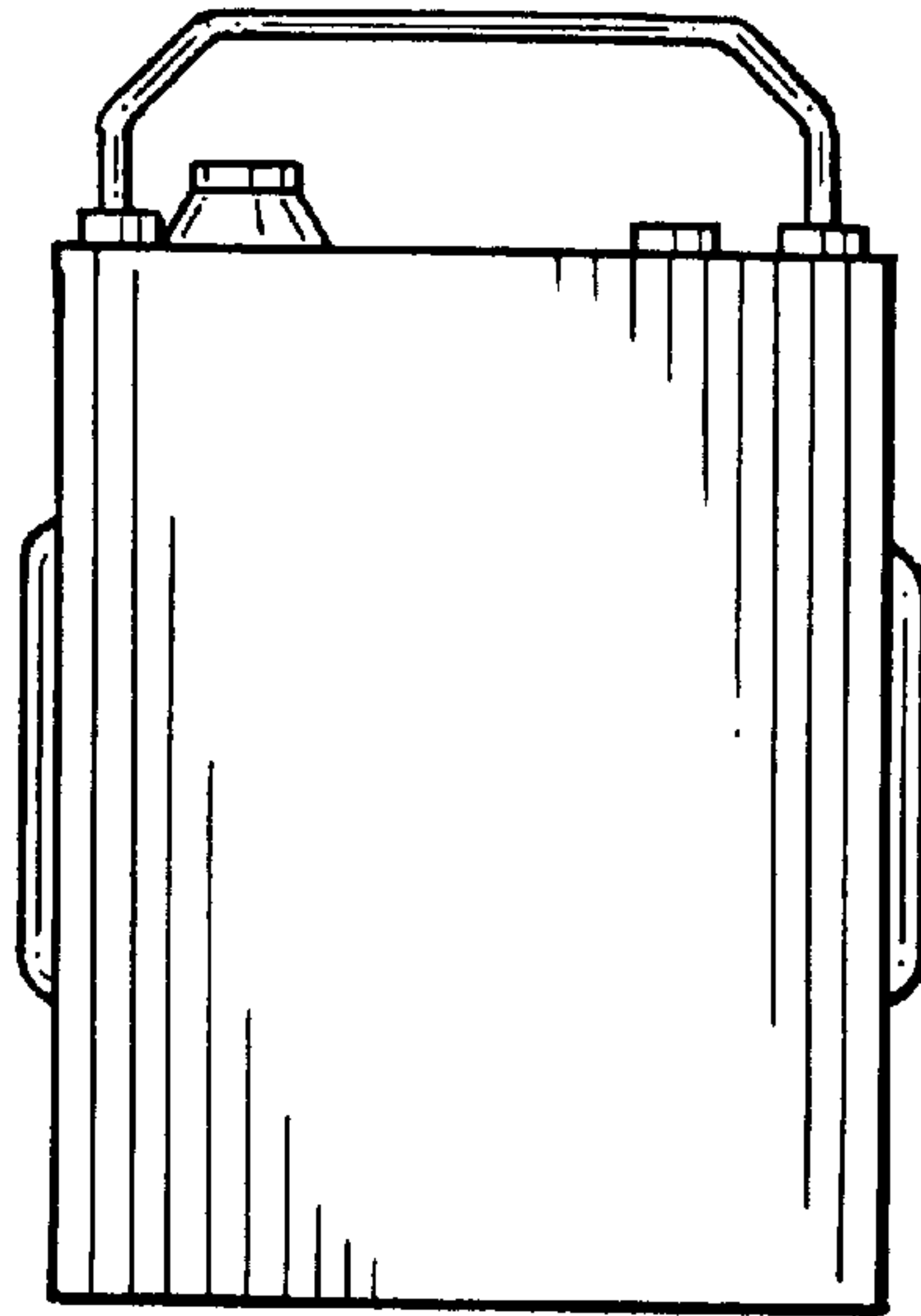


FIG. 4

